

US00D714009S

(12) **United States Design Patent**
Phillips et al.

(10) **Patent No.:** **US D714,009 S**
(45) **Date of Patent:** **** Sep. 23, 2014**

(54) **REFUSE CONTAINER**

(71) Applicant: **Suncast Technologies, LLC**, Palm Beach Gardens, FL (US)
(72) Inventors: **William J. Phillips**, Batavia, IL (US);
Michael R. Vogler, Oswego, IL (US)
(73) Assignee: **Suncast Technologies, LLC**, Palm Beach Gardens, FL (US)

(**) Term: **14 Years**

(21) Appl. No.: **29/450,196**

(22) Filed: **Mar. 15, 2013**

(51) **LOC (10) Cl.** **09-09**

(52) **U.S. Cl.**
USPC **D34/7**

(58) **Field of Classification Search**
CPC B65F 1/06; B65F 1/1615; B65F 1/1607;
B65F 1/163; B65F 1/16; B65F 1/062; B65F
1/068; B65F 1/004; B65F 1/067; B65F 1/006;
B65F 1/0046
USPC D34/1-11; 220/908, 908.1, 909, 911,
220/912, 913

See application file for complete search history.

(56) **References Cited**

U.S. PATENT DOCUMENTS

D142,649 S *	10/1945	Kohen	D32/37
D323,729 S *	2/1992	Weiland	D34/9
D591,471 S *	4/2009	Lee	D34/9
D644,391 S *	8/2011	Kopp et al.	D34/7
D659,930 S *	5/2012	Sheehan	D34/7
D659,932 S *	5/2012	Sheehan	D34/7
D660,539 S *	5/2012	Sheehan	D34/7

* cited by examiner

Primary Examiner — Cynthia Ramirez
(74) *Attorney, Agent, or Firm* — McHale & Slavin, P.A.

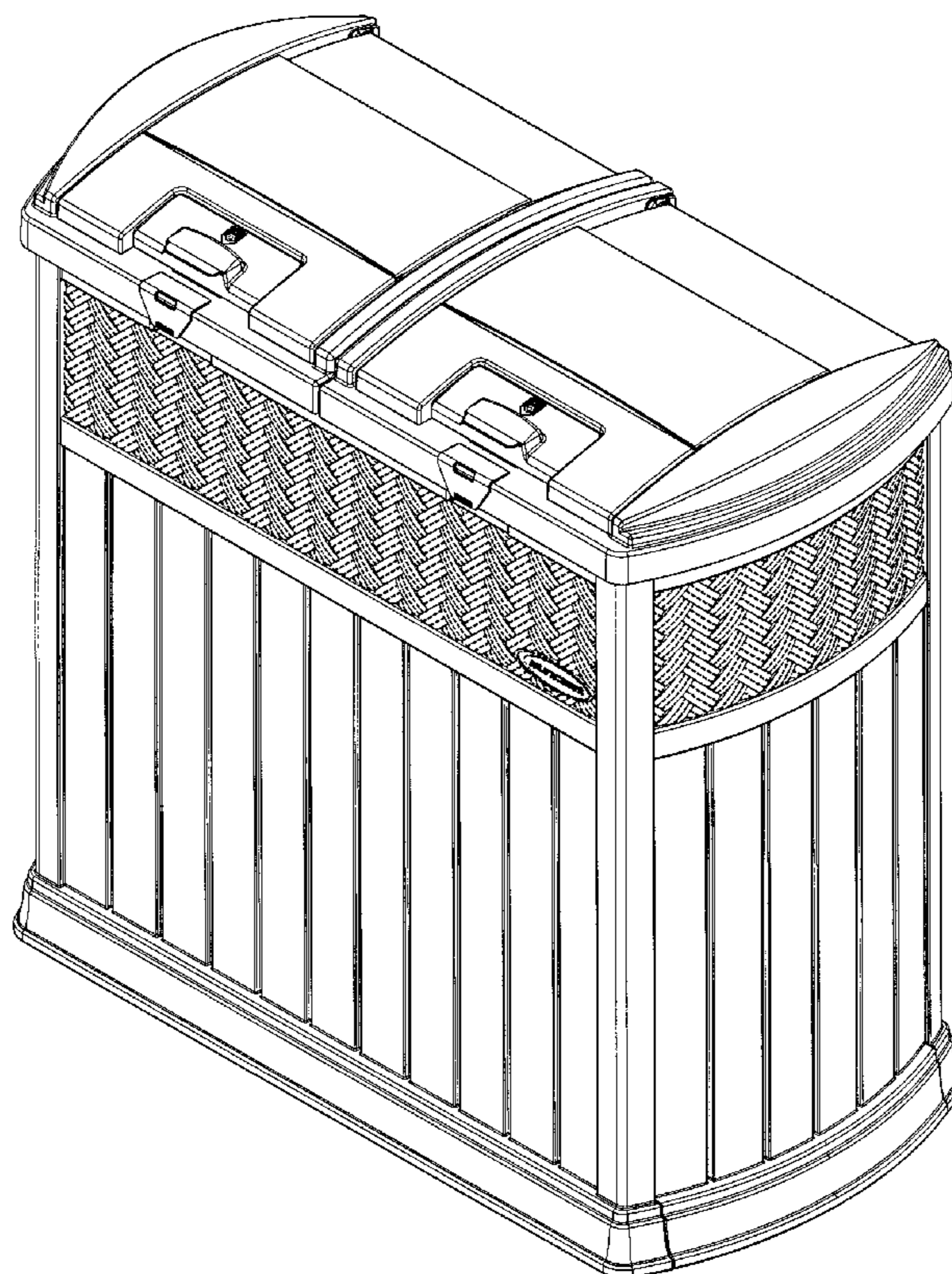
(57) **CLAIM**

The ornamental design for a refuse container, as shown and described.

DESCRIPTION

FIG. 1 is a front right perspective view of the refuse container of the present invention;
FIG. 2 is a rear perspective view thereof;
FIG. 3 is a front view thereof;
FIG. 4 is a rear view thereof;
FIG. 5 is a left side view thereof;
FIG. 6 is a right side view thereof; and,
FIG. 7 is a top view thereof.
The portions of the refuse container illustrated in broken lines form no part of the claimed subject matter.

1 Claim, 6 Drawing Sheets



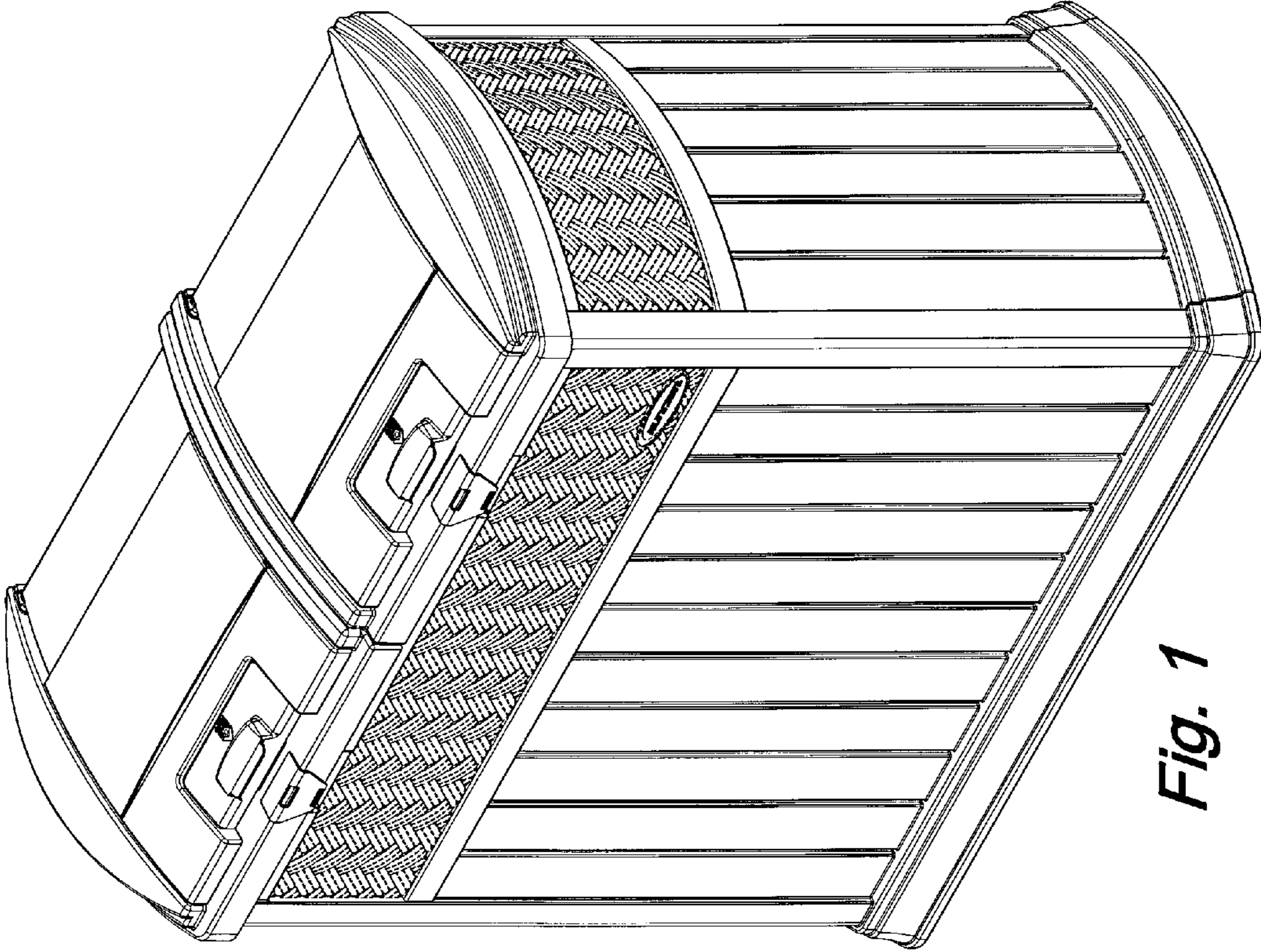


Fig. 1

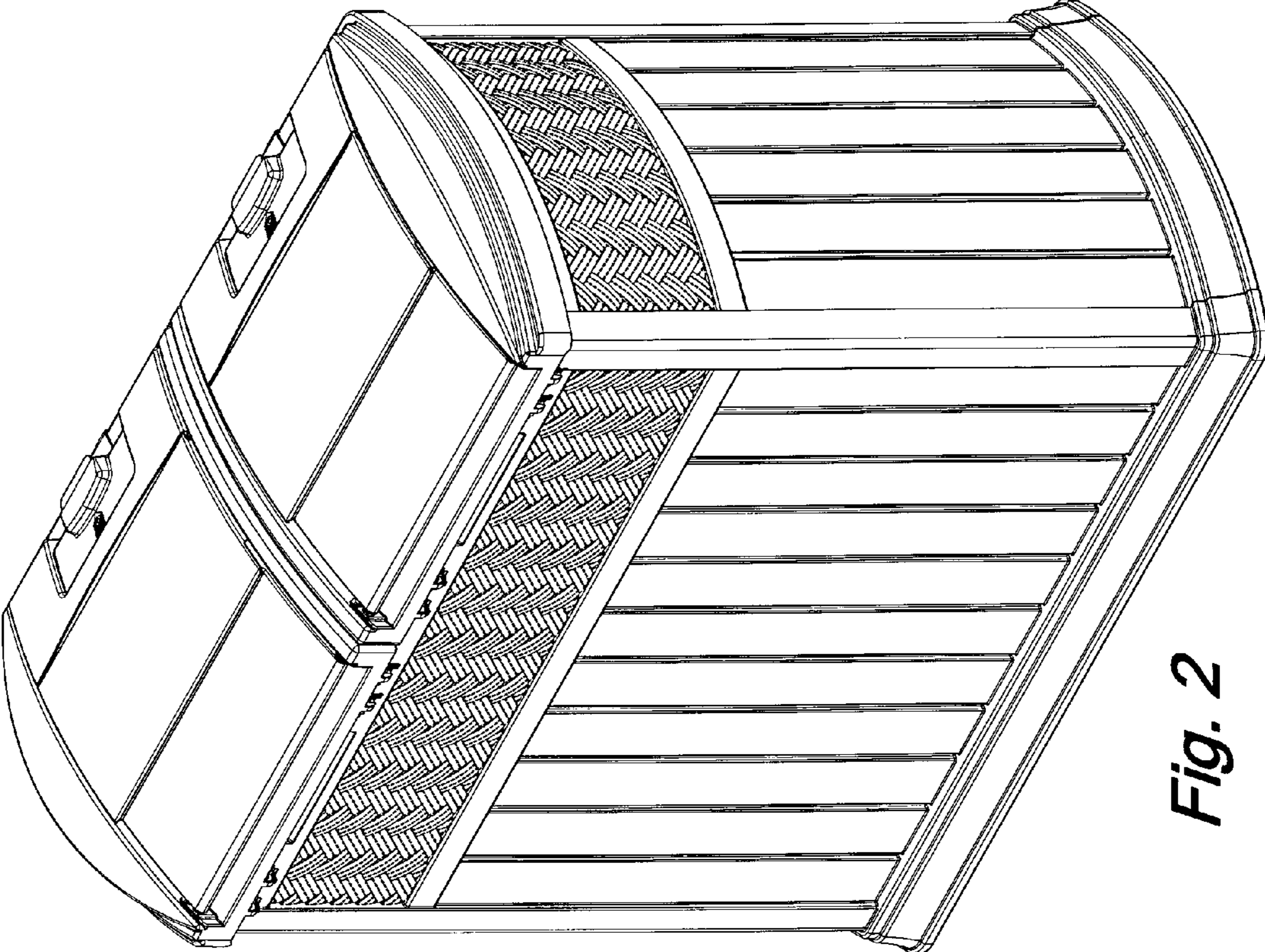


Fig. 2

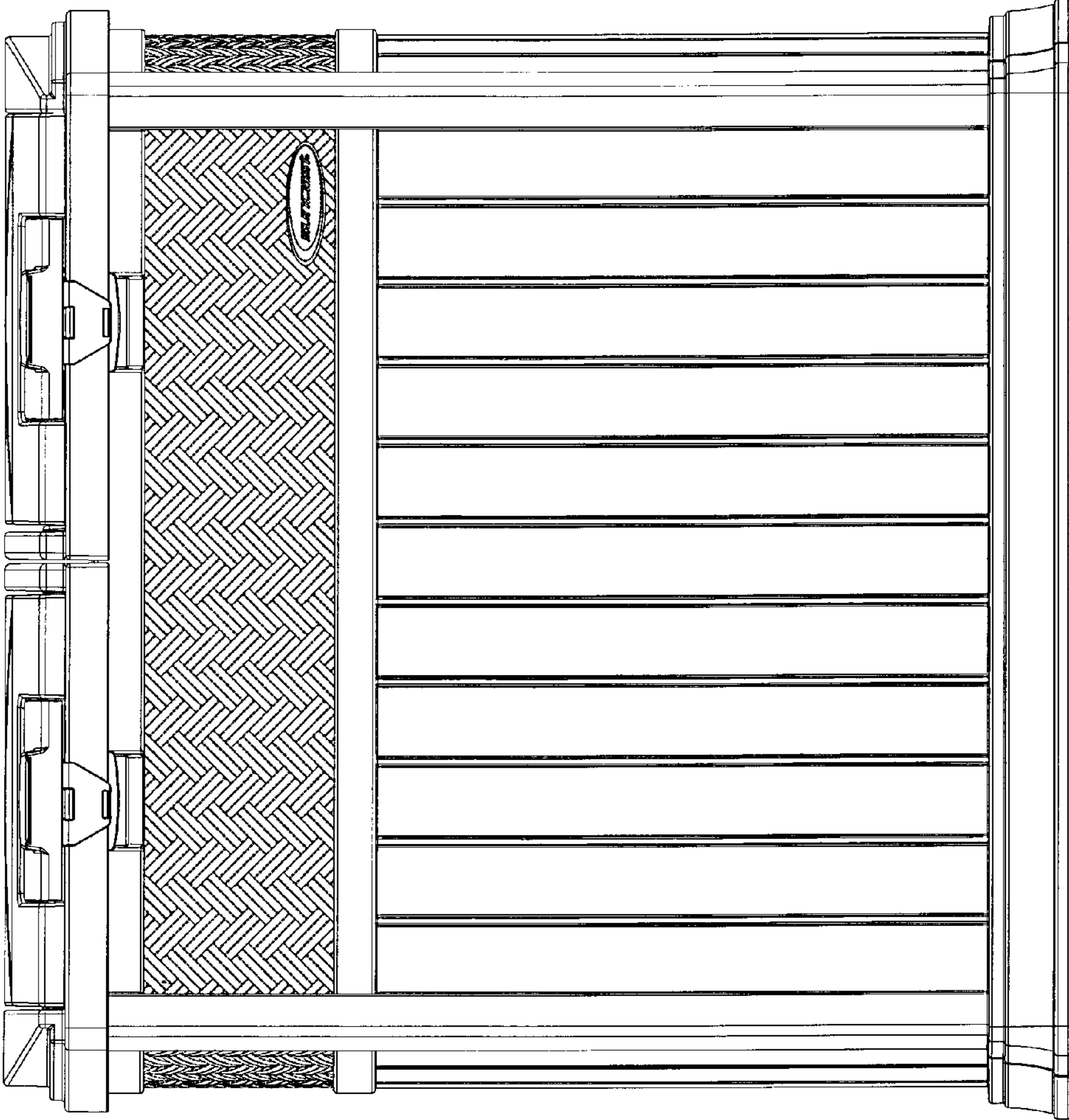


Fig. 3

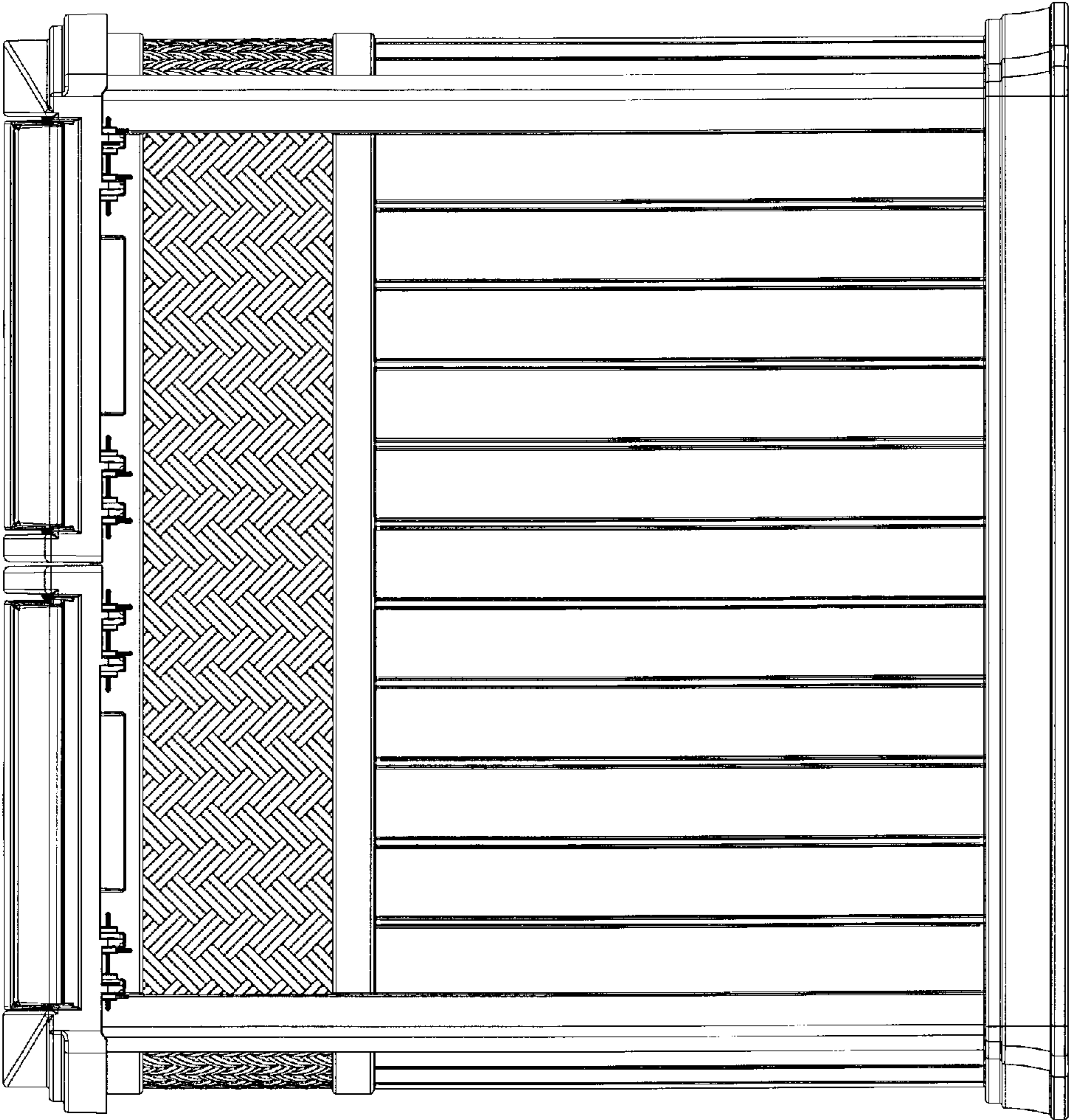


Fig. 4

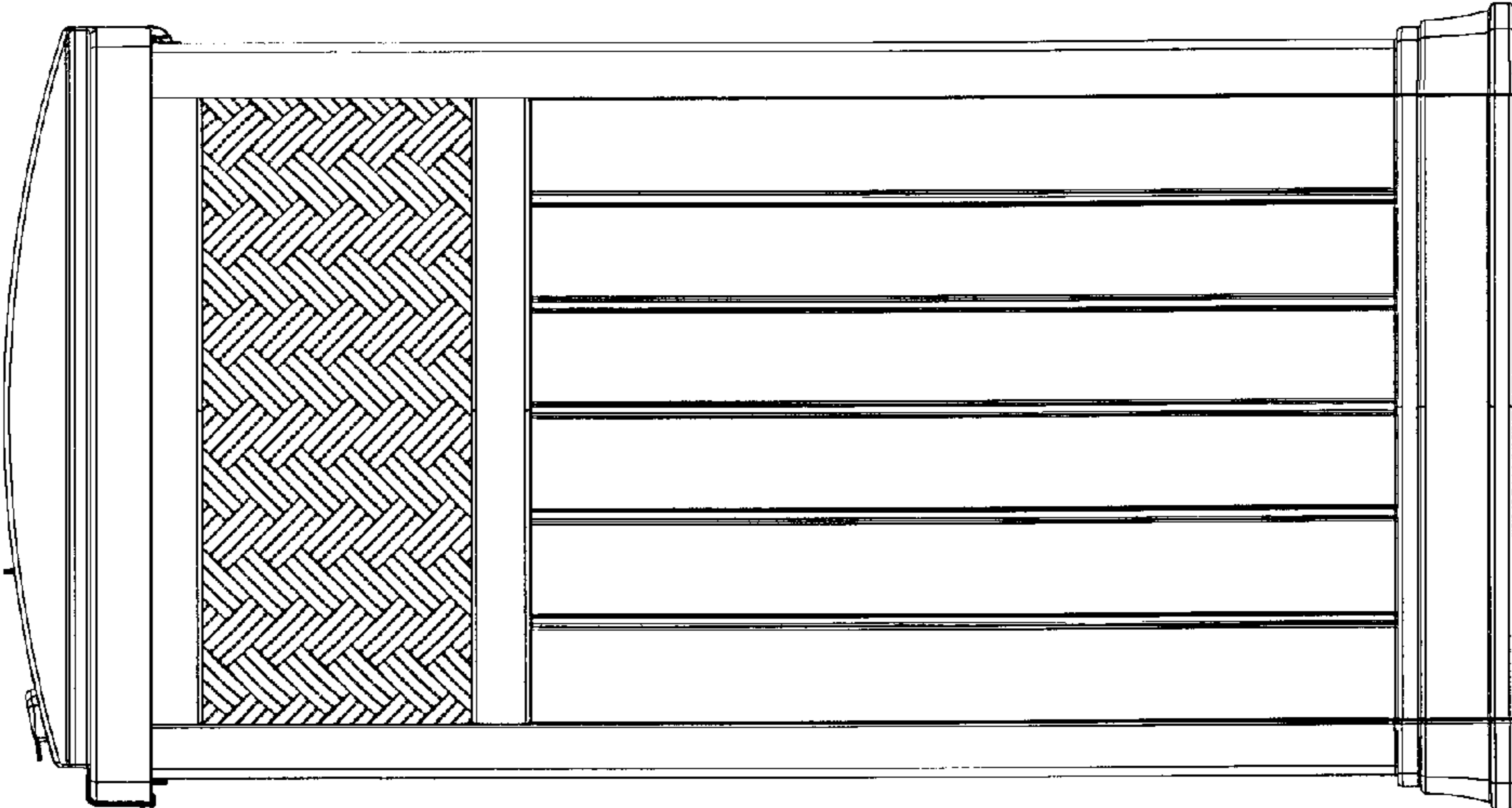


Fig. 6

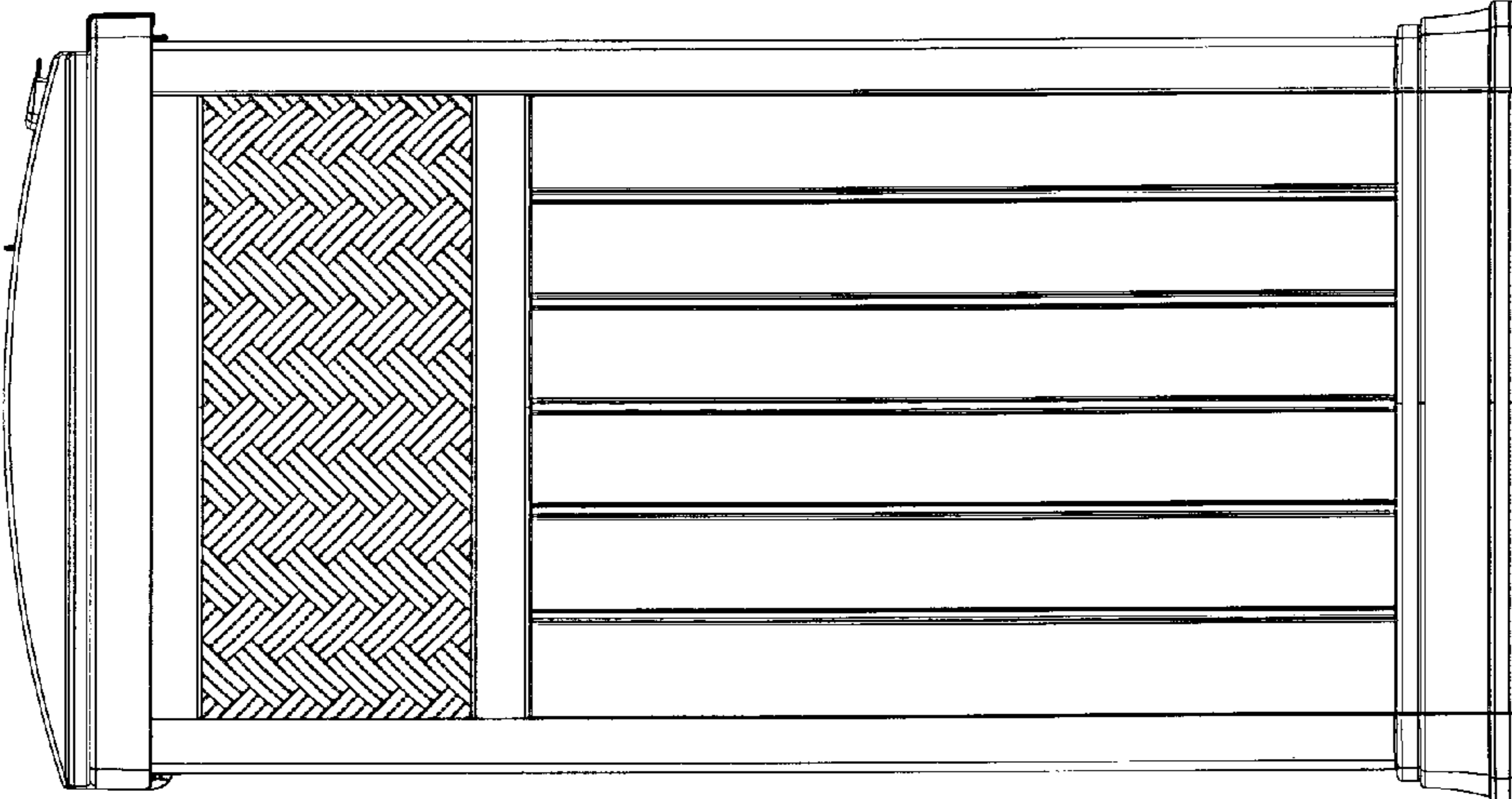


Fig. 5

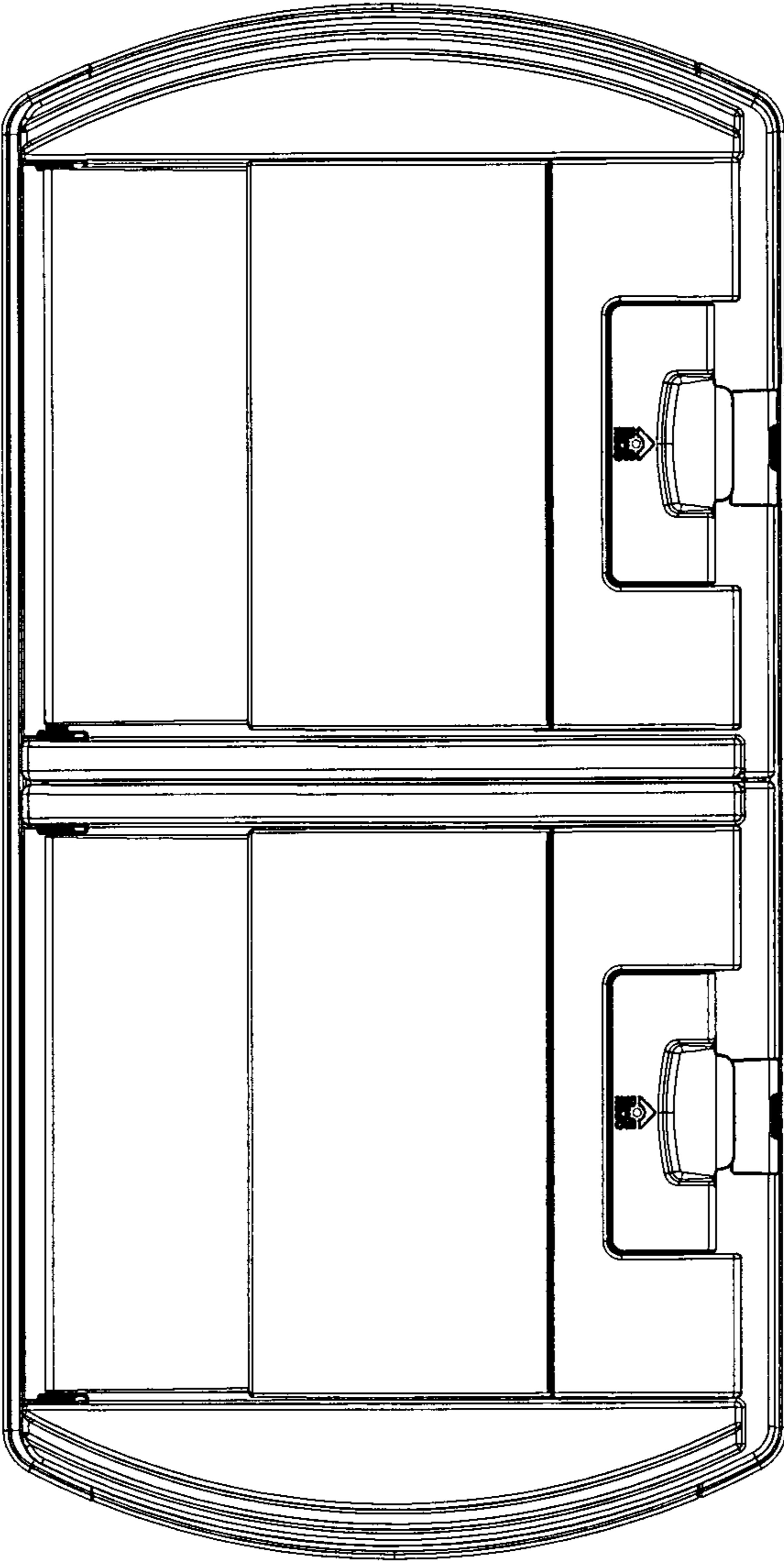


Fig. 7