



US00D714008S

(12) **United States Design Patent**
Koch

(10) **Patent No.:** **US D714,008 S**

(45) **Date of Patent:** **** Sep. 23, 2014**

(54) **TRAILER TRASH TRASHCAN**

D555,861 S * 11/2007 Larin D34/1
D661,448 S 6/2012 Moore
D672,108 S 12/2012 Lee et al.

(71) Applicant: **Timothy David Koch**, Simi Valley, CA
(US)

* cited by examiner

(72) Inventor: **Timothy David Koch**, Simi Valley, CA
(US)

Primary Examiner — Cynthia Ramirez

(74) *Attorney, Agent, or Firm* — Law Office of Ken Dallara;
Ken Dallara

(**) Term: **14 Years**

(57) **CLAIM**

(21) Appl. No.: **29/459,481**

The ornamental design for a trailer trash trashcan, as shown and described.

(22) Filed: **Jun. 29, 2013**

DESCRIPTION

(51) **LOC (10) Cl.** **09-09**

(52) **U.S. Cl.**
USPC **D34/4**

(58) **Field of Classification Search**
USPC D34/1-11; 220/908, 908.1, 911, 912,
220/913; D21/552

See application file for complete search history.

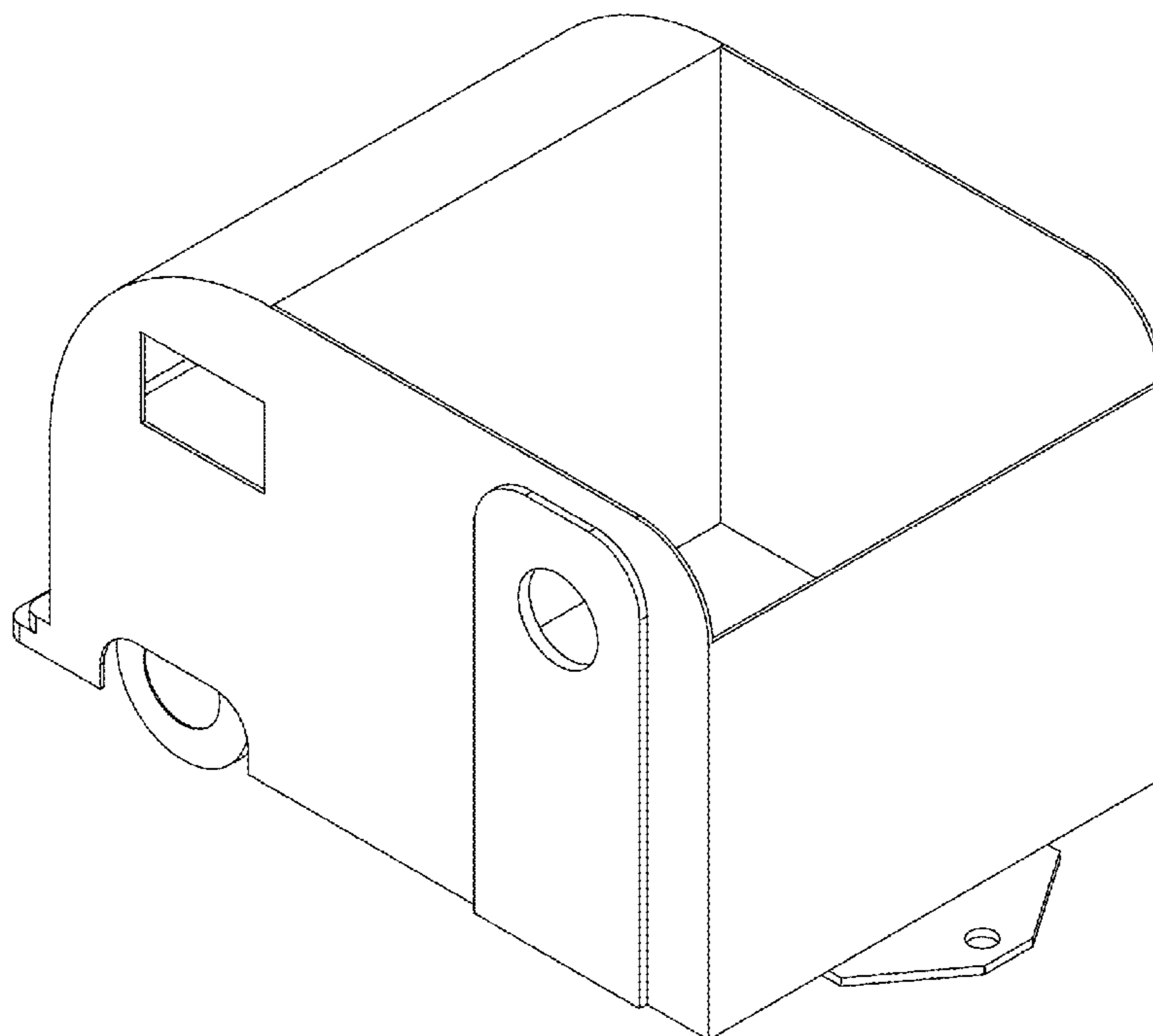
(56) **References Cited**

U.S. PATENT DOCUMENTS

D219,931 S	*	2/1971	Fogarty et al.	D21/552
D256,556 S		8/1980	Fish	
D266,497 S	*	10/1982	de Jesus Veliz Villalta .	D12/128
D326,173 S		5/1992	Newbold	
D350,282 S		9/1994	Lenterman	
D369,023 S		4/1996	Cheng	
D488,900 S	*	4/2004	Grange	D34/3
D517,423 S		3/2006	Jeschke	
D531,516 S		11/2006	Sellars	
D534,810 S		1/2007	Sellars	

FIG. 1 is an upper front left oblique view of the trailer trash trashcan showing our new design;
 FIG. 2 is the left side elevation view of the trashcan, thereof;
 FIG. 3 is the right side elevation view of the trashcan, thereof;
 FIG. 4 is the top view of the trashcan, thereof;
 FIG. 5 is the bottom view of the trashcan, thereof;
 FIG. 6 is an isometric view of the bottom of the trashcan thereof;
 FIG. 7 is the front elevation view of the trashcan, thereof;
 FIG. 8 is the rear elevation view of the trashcan, thereof;
 FIG. 9 is the rear elevation view of the trashcan, showing the vertical cross-section demarcation line for the longitudinal cross-sectional view seen in FIG. 10, thereof;
 FIG. 10 is a cross-sectional longitudinal view of the trashcan, showing the interior detail thereof; and,
 FIG. 11 is an upper rearward left oblique view of the trashcan showing the interior detail thereof.

1 Claim, 3 Drawing Sheets



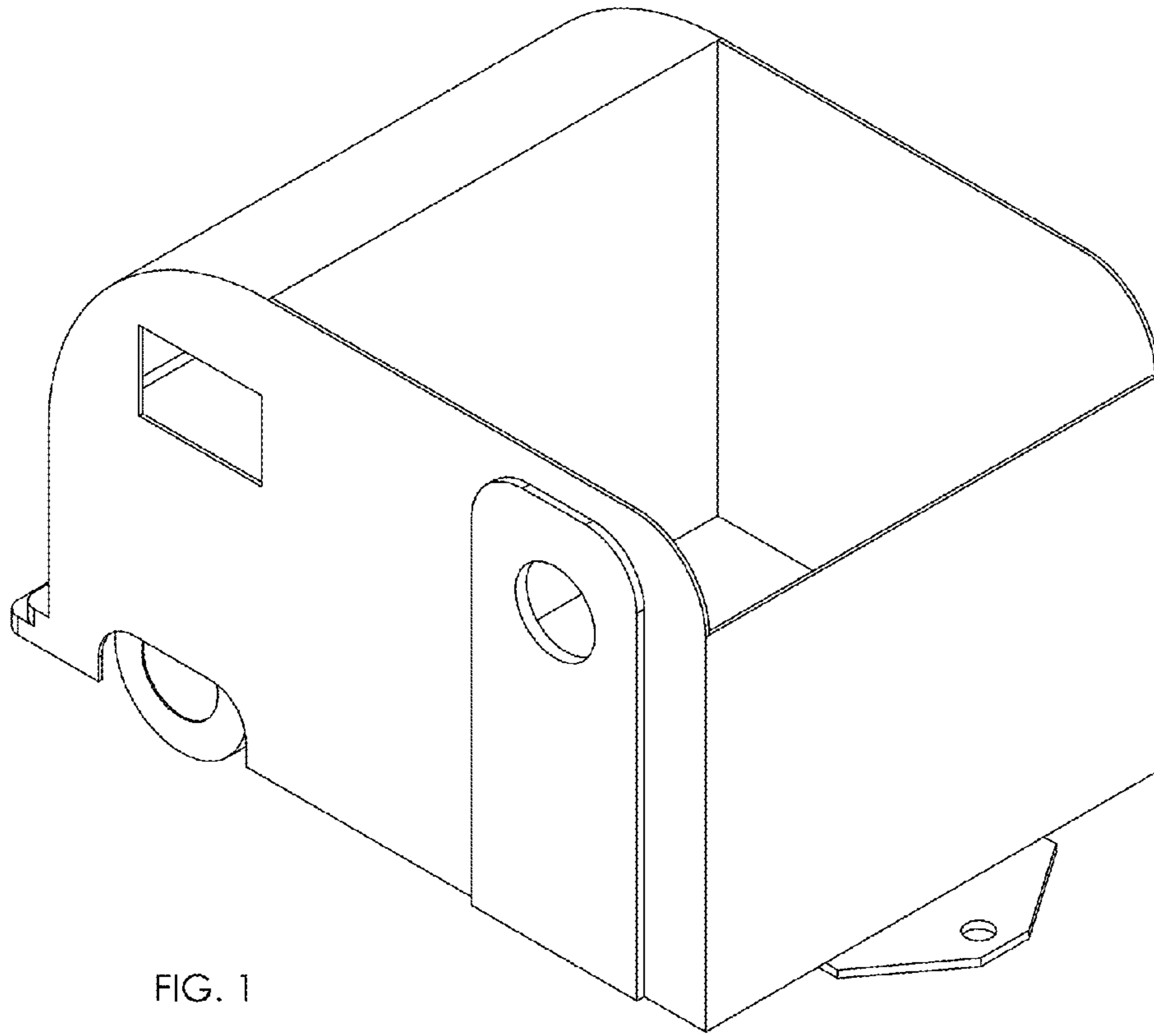


FIG. 1

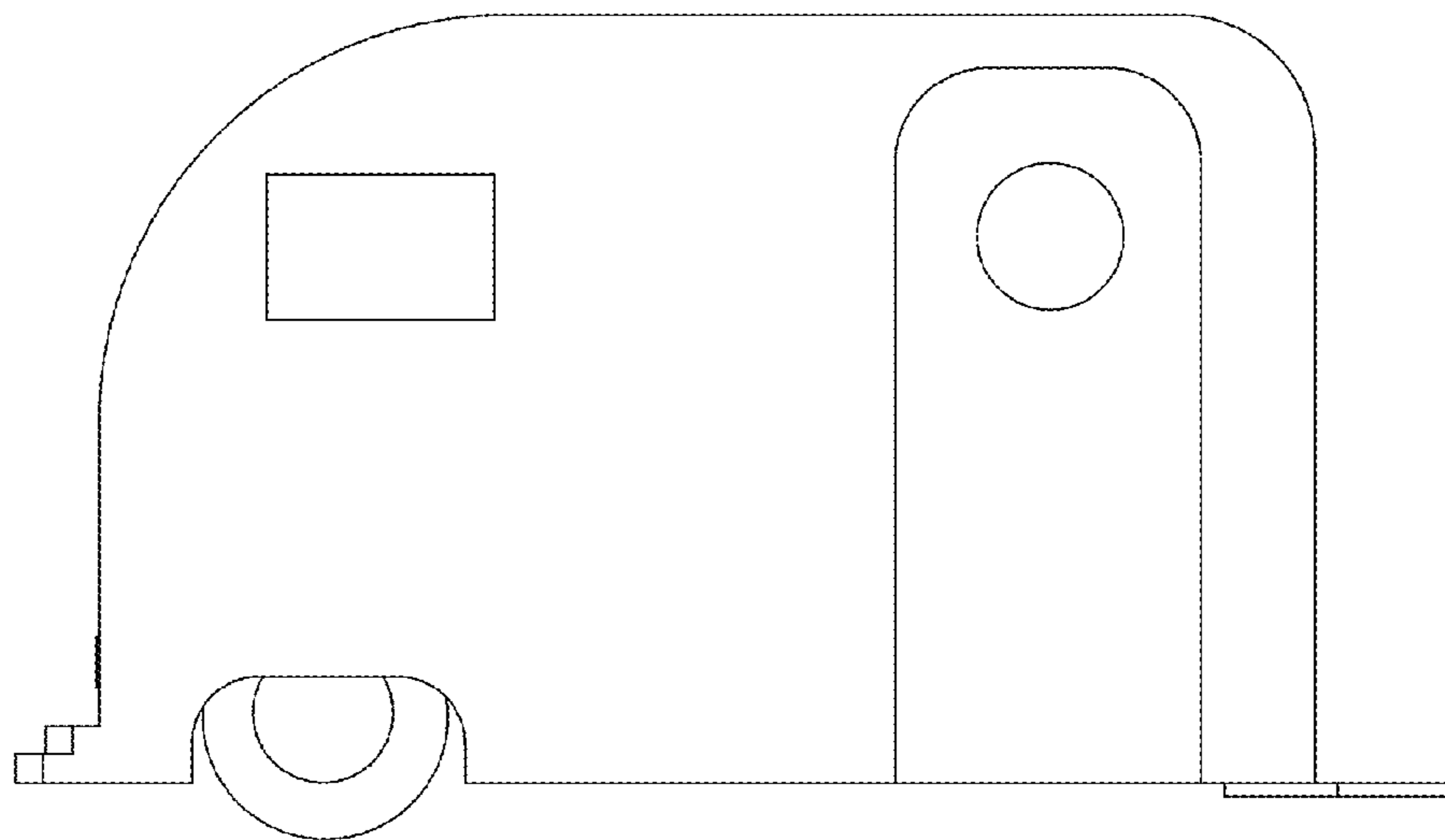


FIG. 2

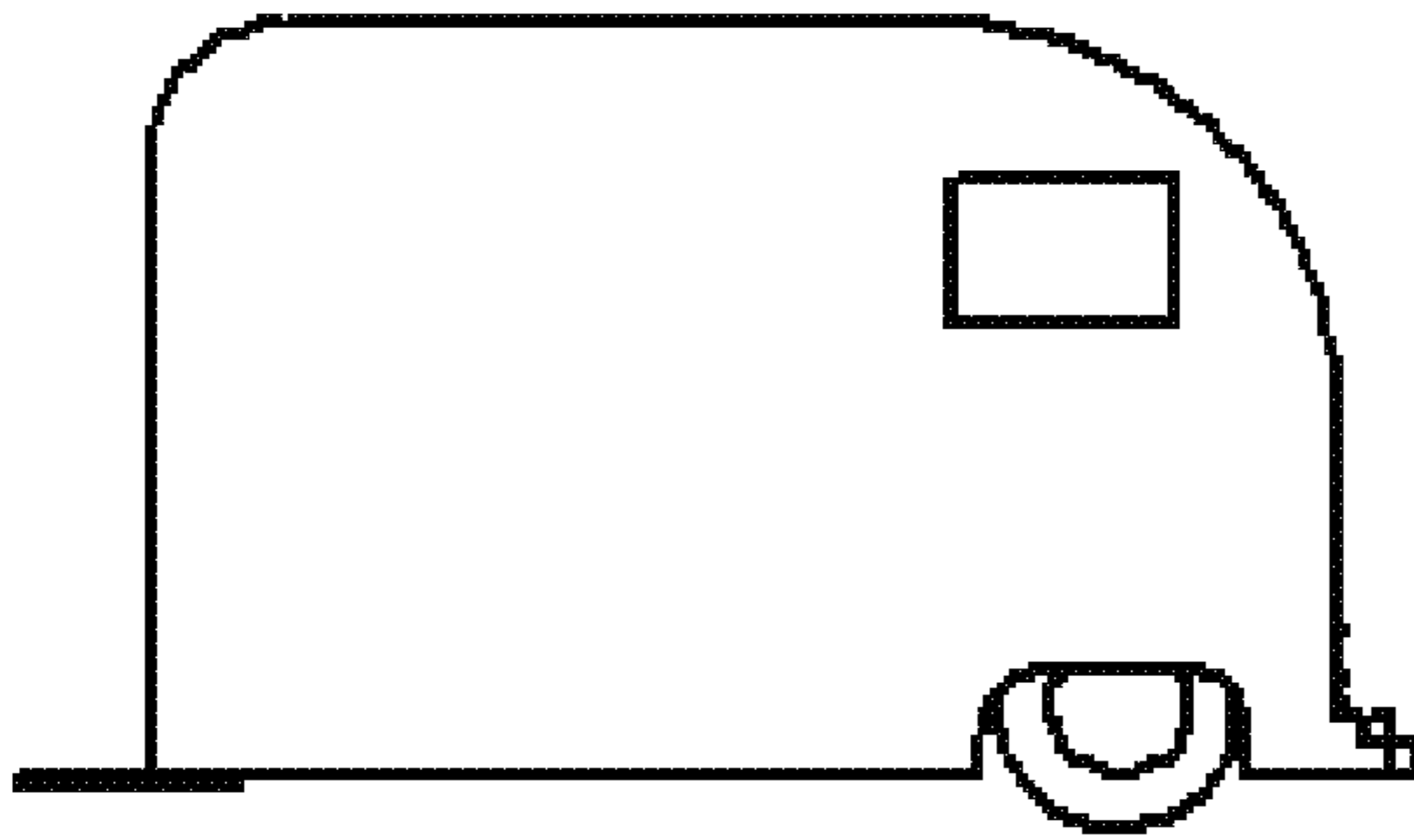


FIG. 3

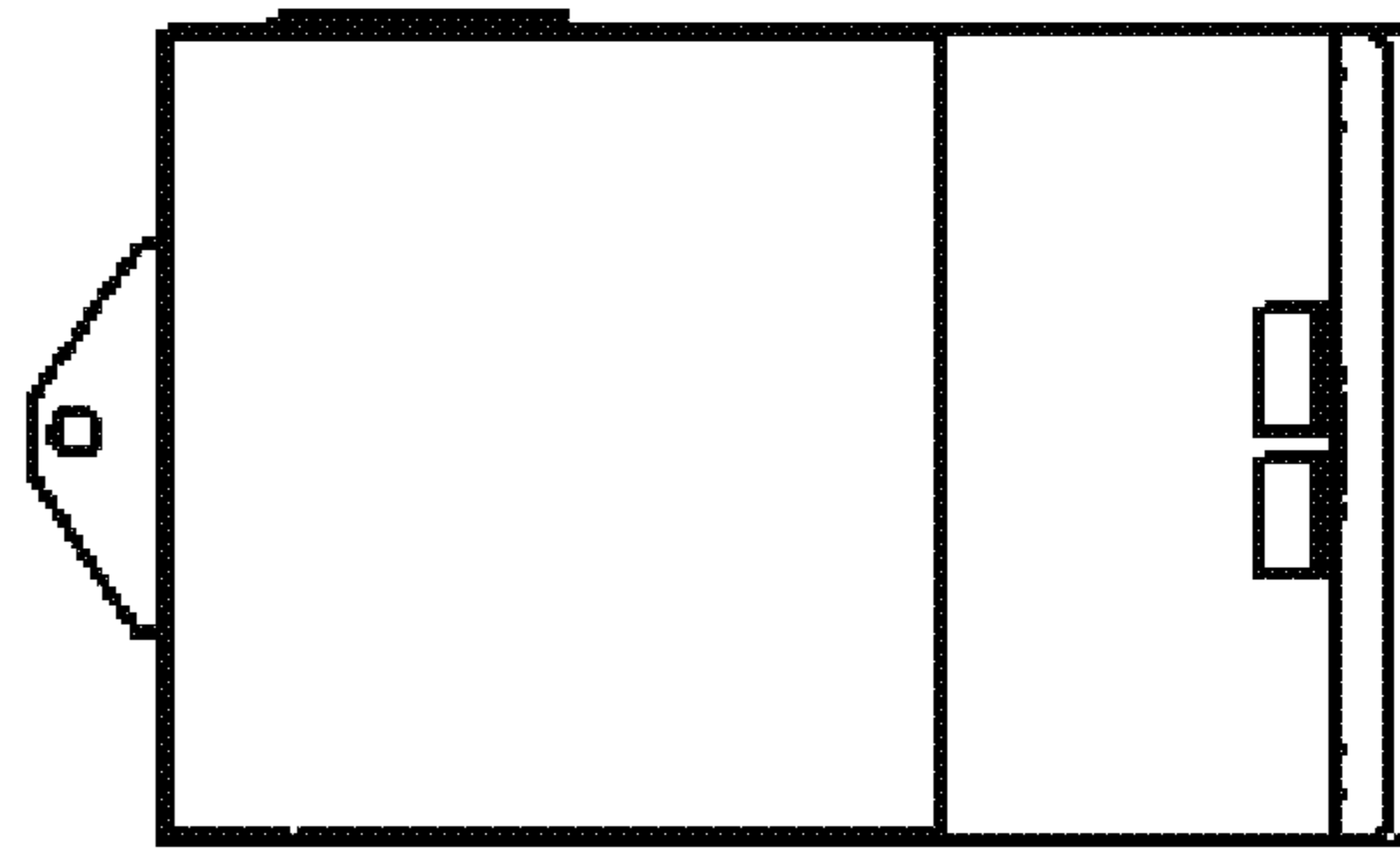


FIG. 4

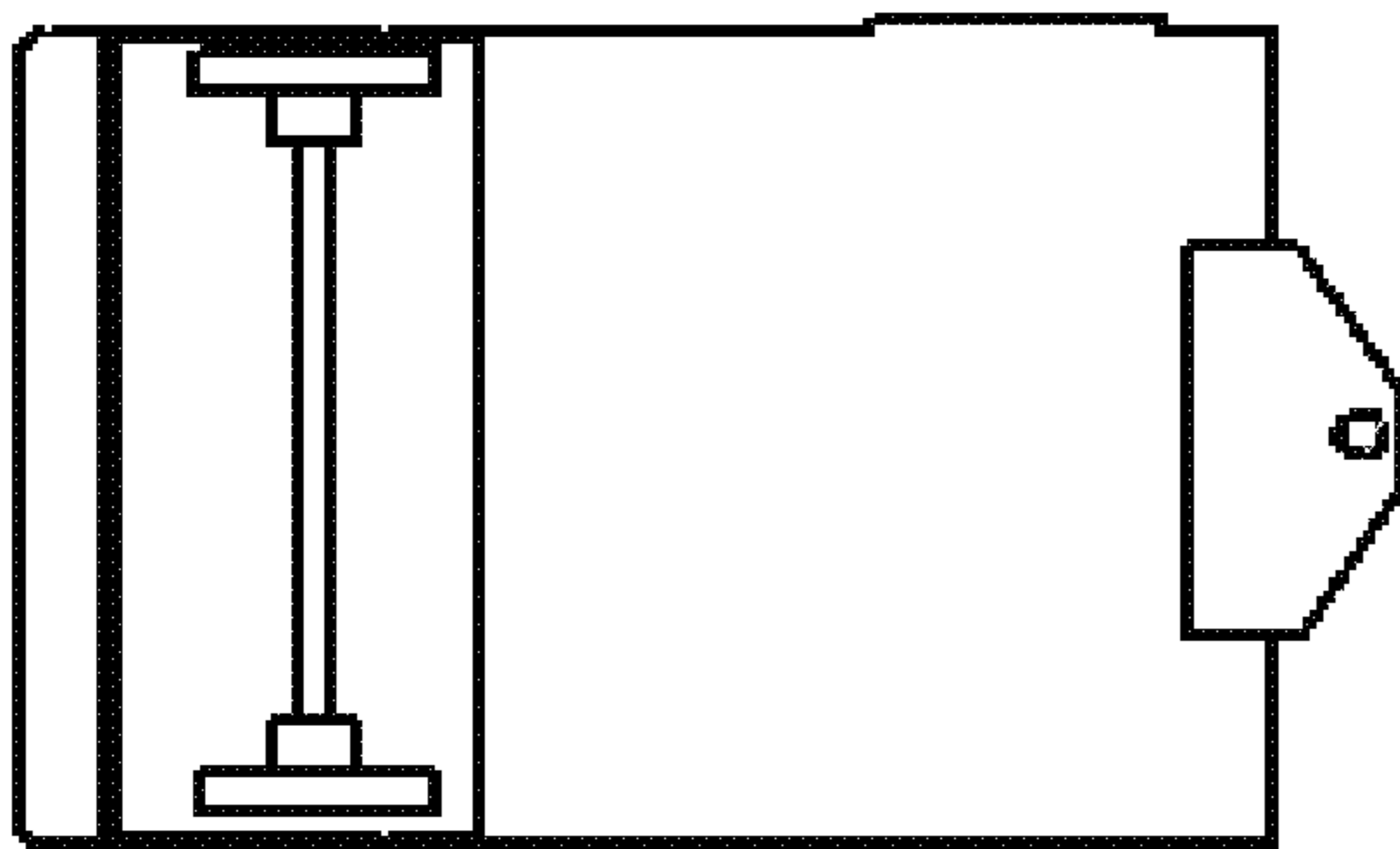


FIG. 5

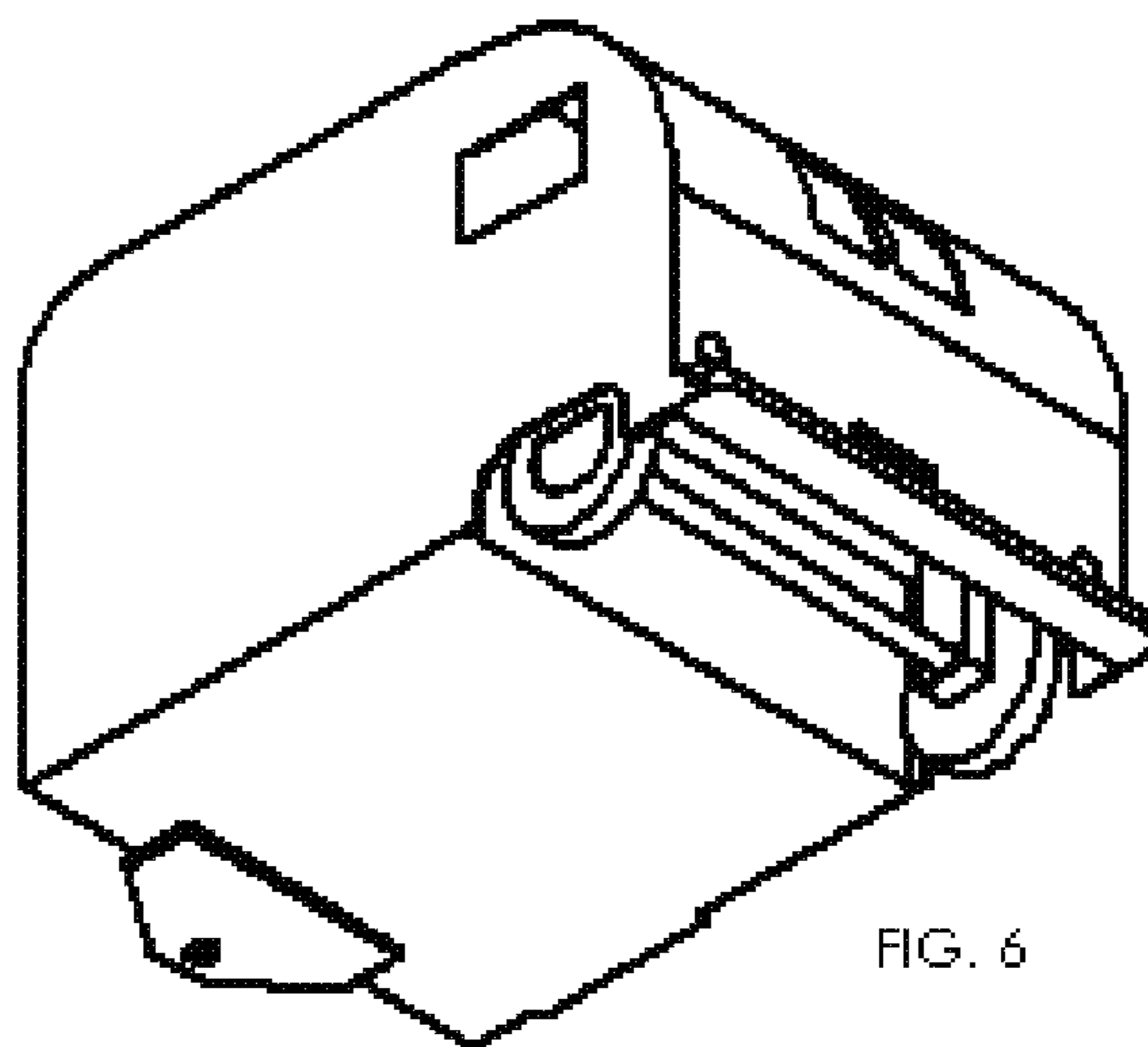


FIG. 6

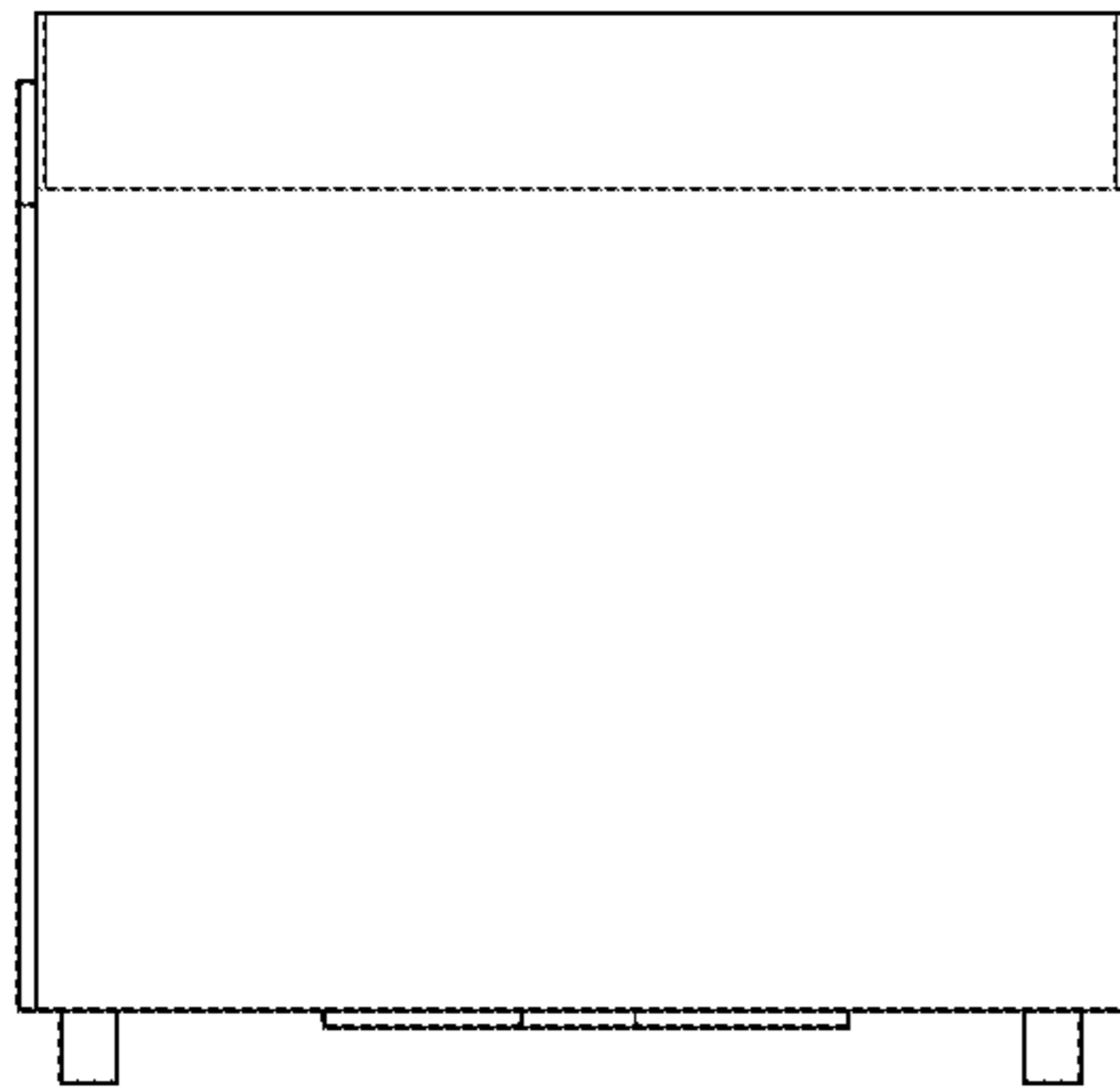


FIG. 7

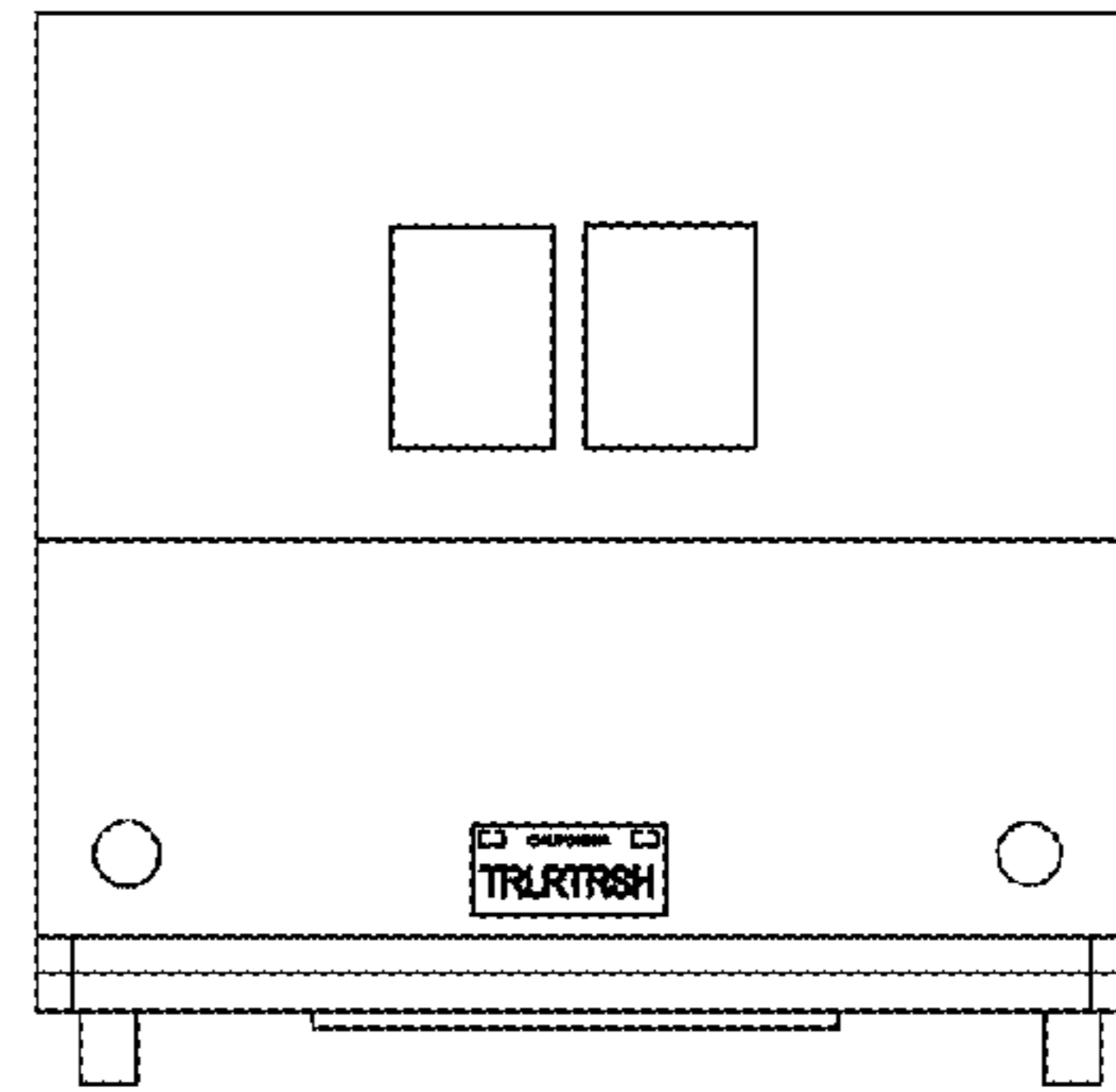


FIG. 8

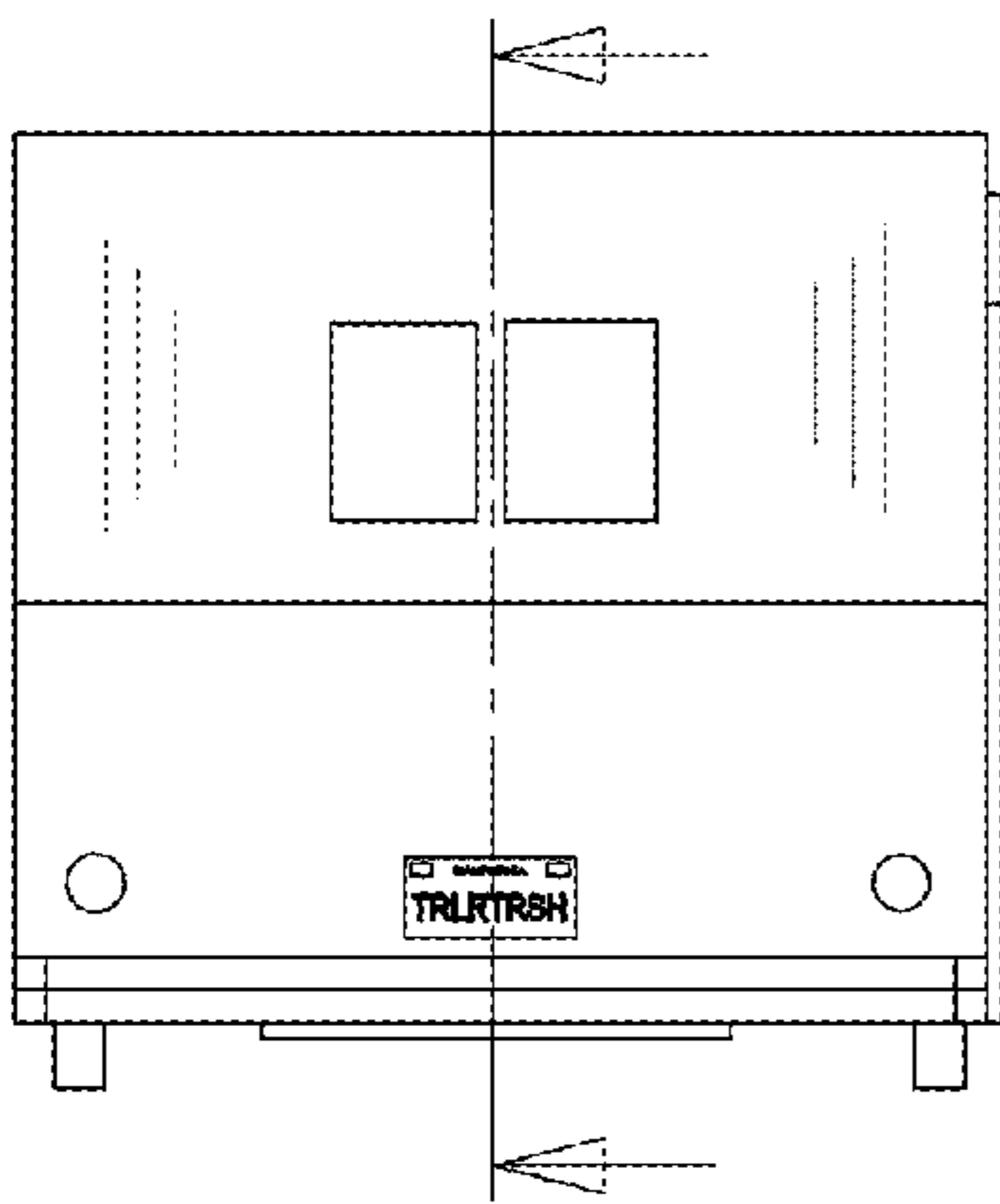


FIG. 9

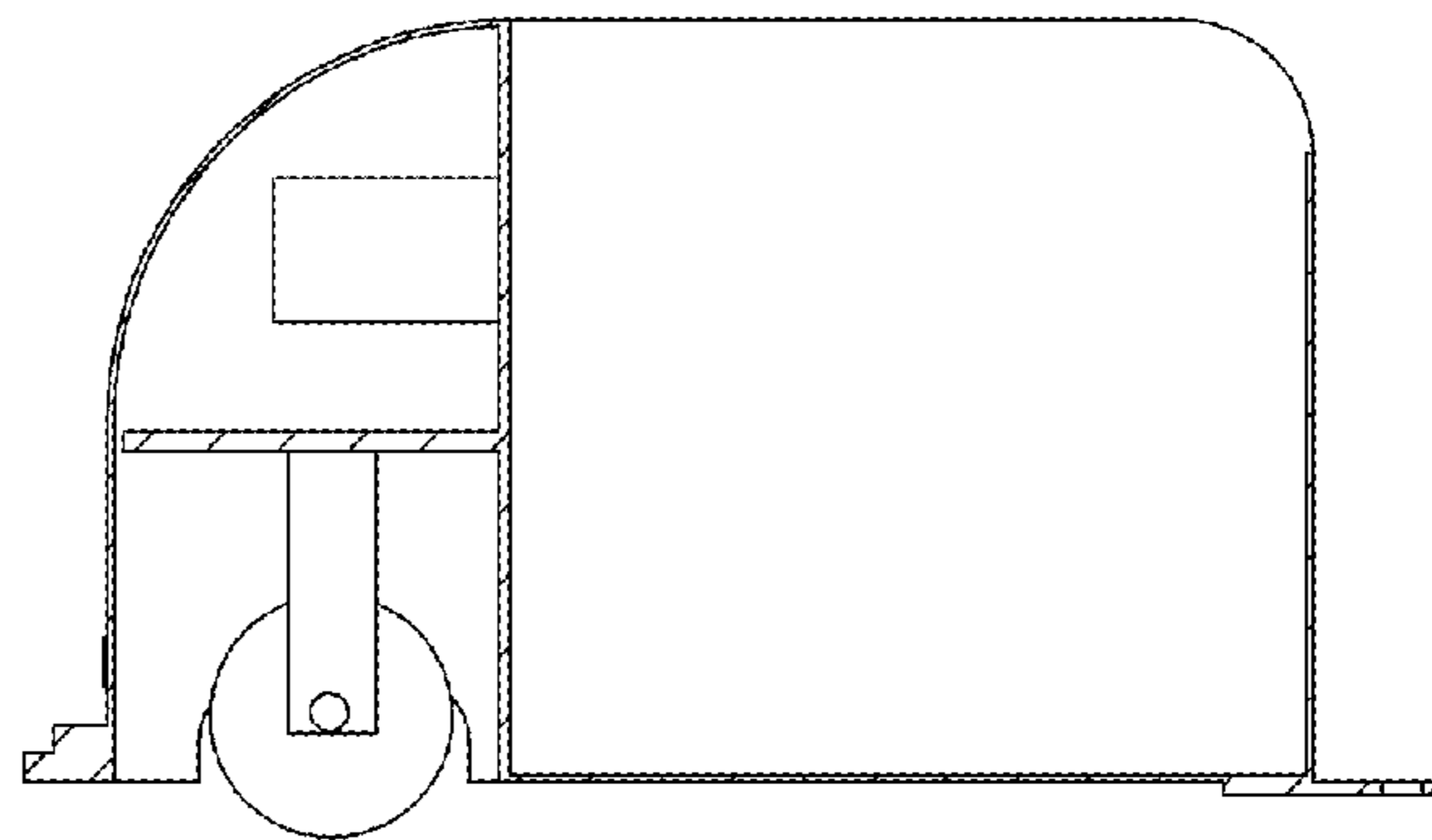


FIG. 10

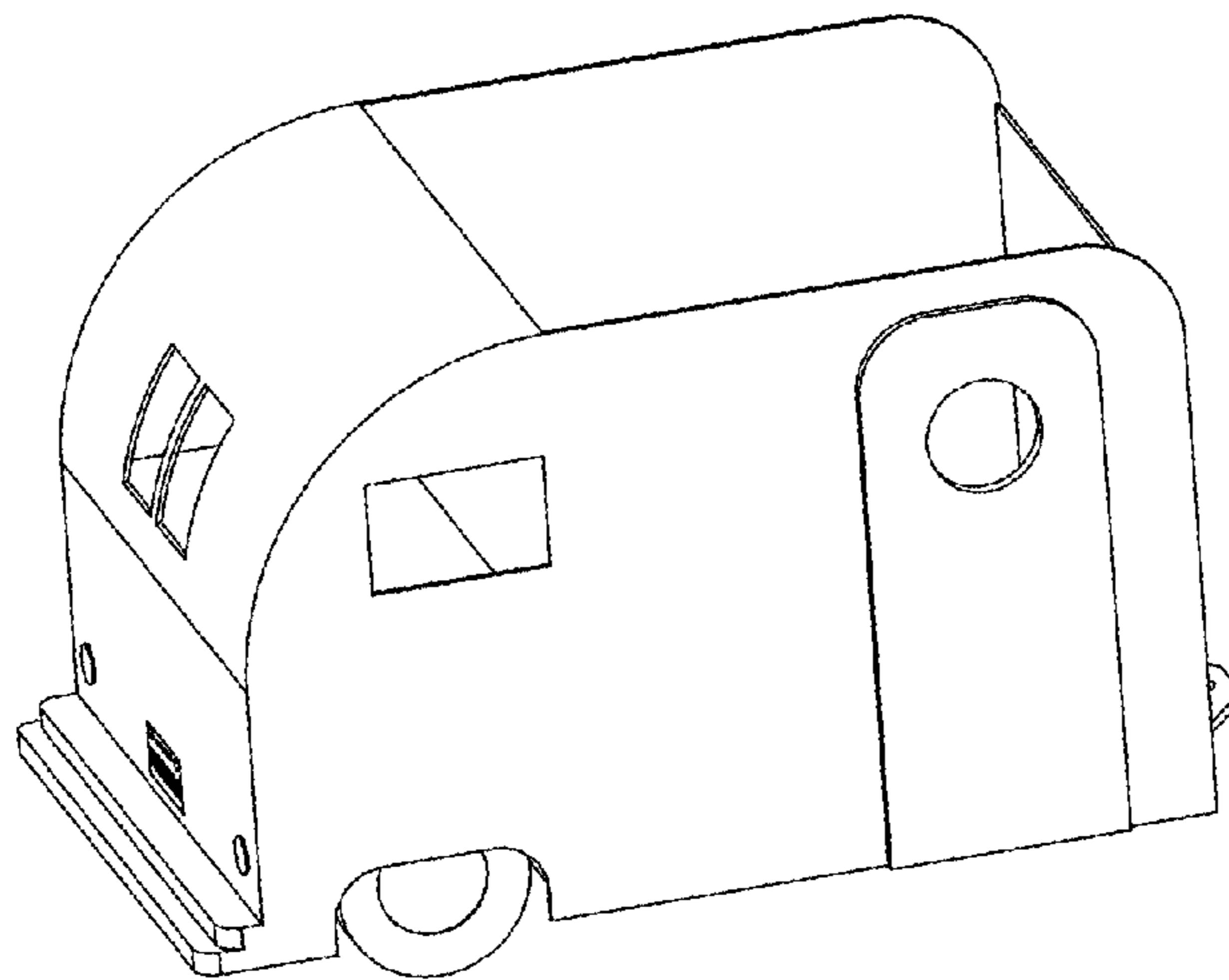


FIG. 11