



US00D714006S

(12) **United States Design Patent**
Sanchez

(10) **Patent No.:** **US D714,006 S**
(45) **Date of Patent:** **** Sep. 23, 2014**

(54) **BROOM**

(76) Inventor: **Michael J. Sanchez**, Denver, CO (US)

(**) Term: **14 Years**

(21) Appl. No.: **29/419,864**

(22) Filed: **May 2, 2012**

(51) **LOC (10) Cl.** **04-01**

(52) **U.S. Cl.**

CPC **A46B 17/00** (2013.01); **A46B 2200/3026**
(2013.01); **A46B 2200/30** (2013.01)

USPC **D32/50**; D32/35; D32/38

(58) **Field of Classification Search**

CPC A46B 1/00; A46B 3/005; A46B 5/0095;
A46B 9/00; A46B 9/06; A46B 15/00; A46D
1/00; A46D 3/00; B01D 33/00; B01D 33/06;
B01D 35/00; B01D 11/0088; B01F 11/0088;
B23D 29/02; B26B 1/00; B26B 13/00; B26B
2029/00; B29C 45/00; B26D 3/169; B65G
65/00; B65G 65/4881; G03G 15/08; G03G
15/0839; H02G 1/00; H02G 1/005
USPC 15/114, 115, 116.1, 119.2, 144.2, 145,
15/147.1, 168, 170, 171, 173-175, 208,
15/209.1, 228, 229.1-229.4, 229.6-229.8,
15/231, 299.2; 401/47, 203, 289; 403/58,
403/83, 90; D4/116, 130, 135, 136, 199;
D8/382; D15/127, 147; D32/35, 40,
D32/42, 45, 51, 52

See application file for complete search history.

(56) **References Cited**

U.S. PATENT DOCUMENTS

1,029,967 A 6/1912 Bolin et al.
2,792,584 A 5/1957 Fryda
3,094,728 A 6/1963 White
4,433,931 A * 2/1984 Malish et al. 403/194
4,785,489 A 11/1988 Von Doehren
D299,289 S * 1/1989 Machacek D4/134

4,962,561 A 10/1990 Hamilton
5,161,278 A * 11/1992 Tomm 15/159.1
5,440,828 A 8/1995 Simpson
D364,715 S * 11/1995 Amram et al. D32/35
5,661,868 A 9/1997 Panagakos et al.
5,862,562 A 1/1999 Erken
5,937,471 A 8/1999 Liao
D414,343 S * 9/1999 Isaacson D4/132
6,412,843 B1 7/2002 Burbrink et al.

(Continued)

FOREIGN PATENT DOCUMENTS

DE D081450-001 * 8/2013

OTHER PUBLICATIONS

Sabco Outdoor Premium Broom with Handle [online]. ACCO, 2012 [retrieved on Apr. 15, 2014]. Retrieved from the Internet: <URL: http://www.acco.com.au/products/21021104_21003233_21021977/Sabco-Outdoor-Premium-Broom-with-Handle.aspx>.*
Gempler's Penguin Collapsible Emergency Shovel, 2009, 1 page.

(Continued)

Primary Examiner — Richard E Chilcot

Assistant Examiner — John Eberhart

(57) **CLAIM**

The ornamental design for a broom, as shown and described.

DESCRIPTION

FIG. 1 is a perspective view of a the broom showing the new design;

FIG. 2 is a top plan view thereof;

FIG. 3 is a front elevation view thereof;

FIG. 4 is a rear elevation view thereof;

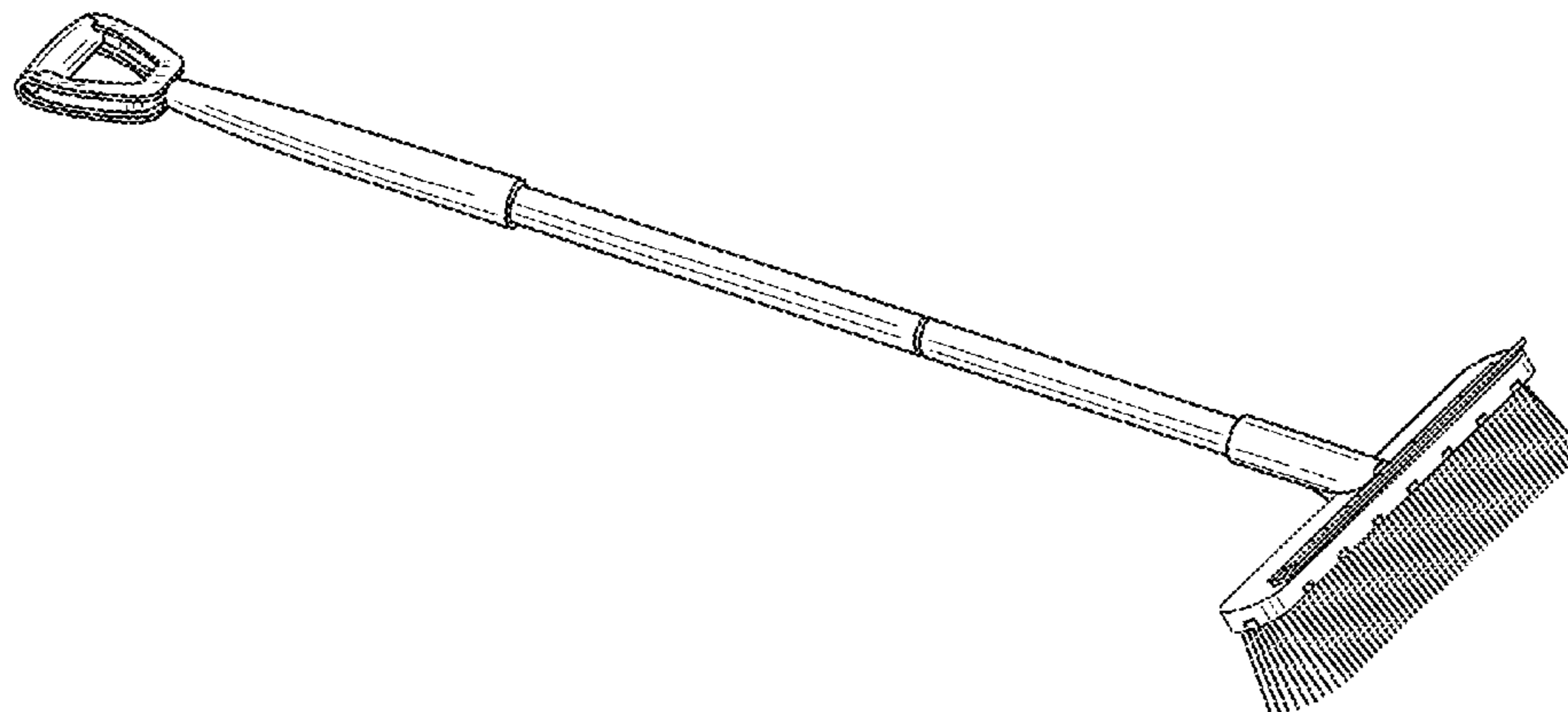
FIG. 5 is a right elevation view thereof;

FIG. 6 is a left elevation view thereof;

FIG. 7 is a bottom plan view thereof; and,

FIG. 8 is an exploded perspective view of the broom.

1 Claim, 6 Drawing Sheets



(56)

References Cited

U.S. PATENT DOCUMENTS

6,481,041 B1 11/2002 Ingram
6,499,176 B1 * 12/2002 Hammond 15/176.2
6,625,837 B2 9/2003 Jiang
6,990,705 B1 1/2006 Schouten et al.
7,155,770 B2 1/2007 Anderson et al.
7,343,637 B2 3/2008 Lafleur
7,356,871 B2 4/2008 Heaven
7,581,771 B2 9/2009 Rosine et al.
2002/0078519 A1 6/2002 Boothby
2003/0150478 A1 8/2003 Biggs

2004/0250365 A1 12/2004 Anderson et al.
2006/0037159 A1 2/2006 Wang
2007/0108782 A1 5/2007 Walker et al.
2007/0234497 A1 10/2007 Lee
2008/0256732 A1 10/2008 Donatelli et al.
2009/0223064 A1 9/2009 Venderley
2009/0313780 A1 12/2009 Martin
2010/0102584 A1 4/2010 Sanchez

OTHER PUBLICATIONS

OutinStyle.com, Collapsible Snow Shovel, 2006, 1 page.

* cited by examiner

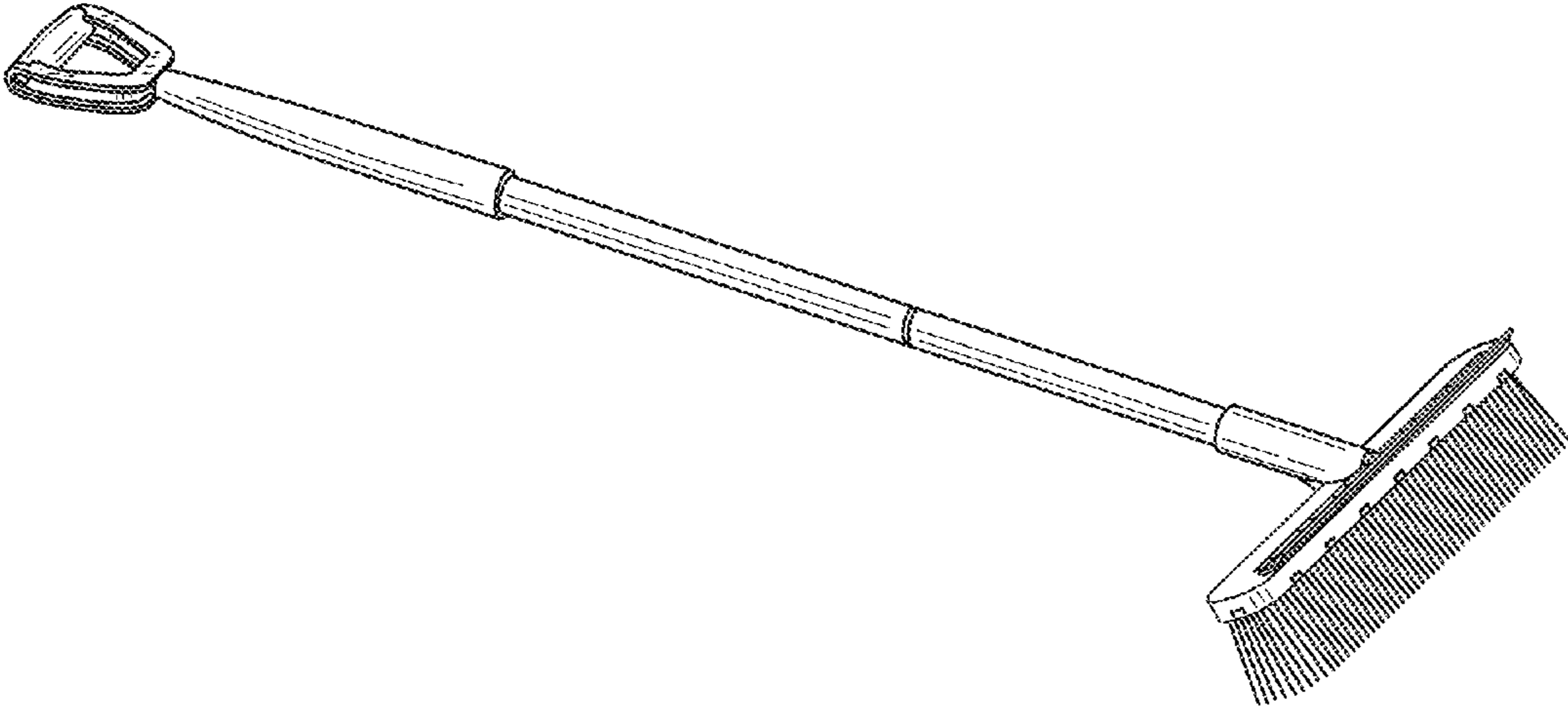


FIG.1

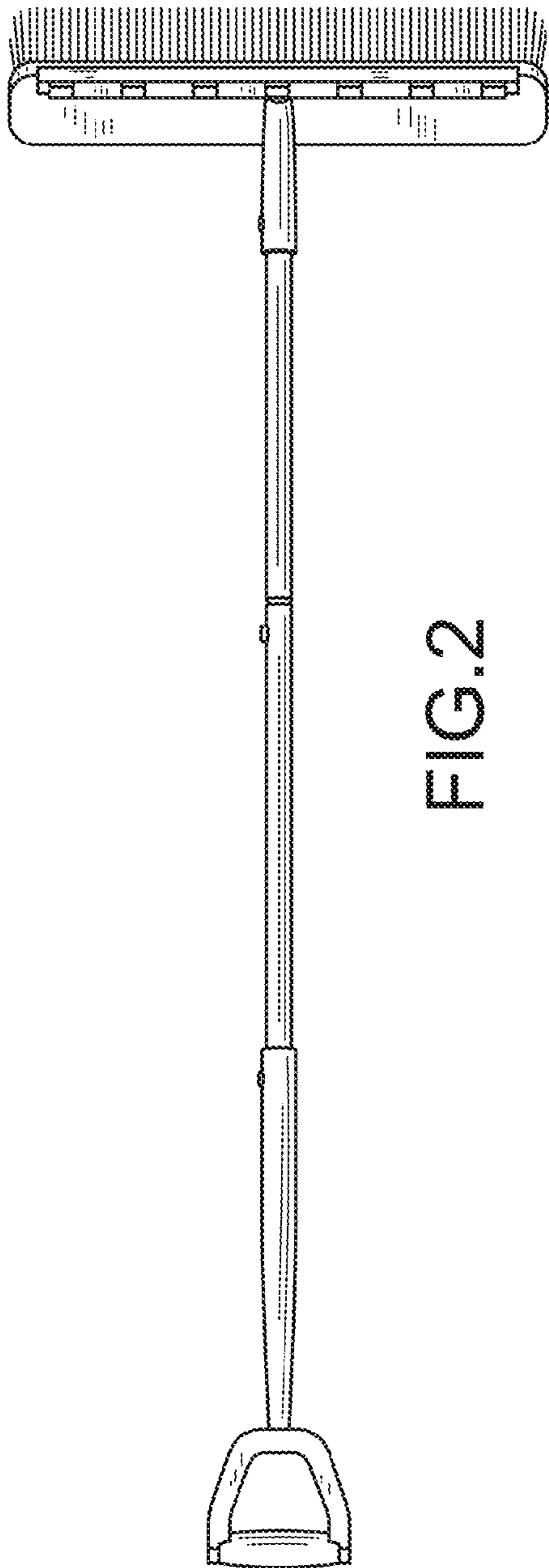


FIG. 2

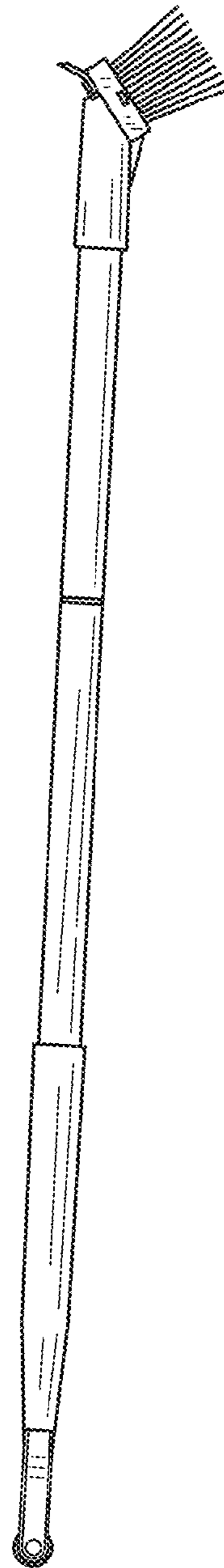


FIG. 3

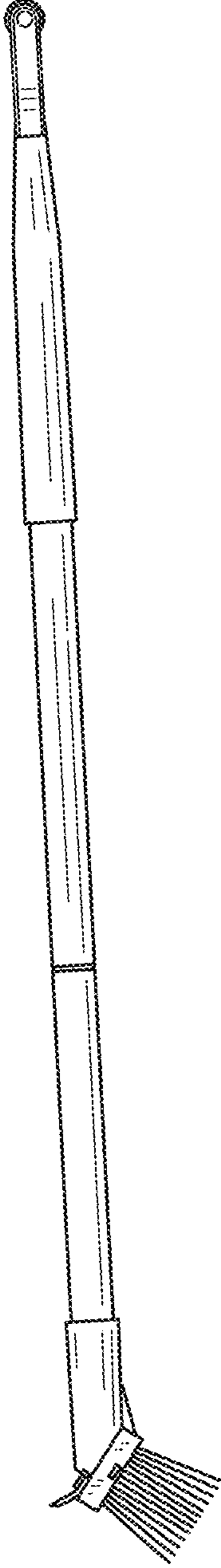


FIG.4

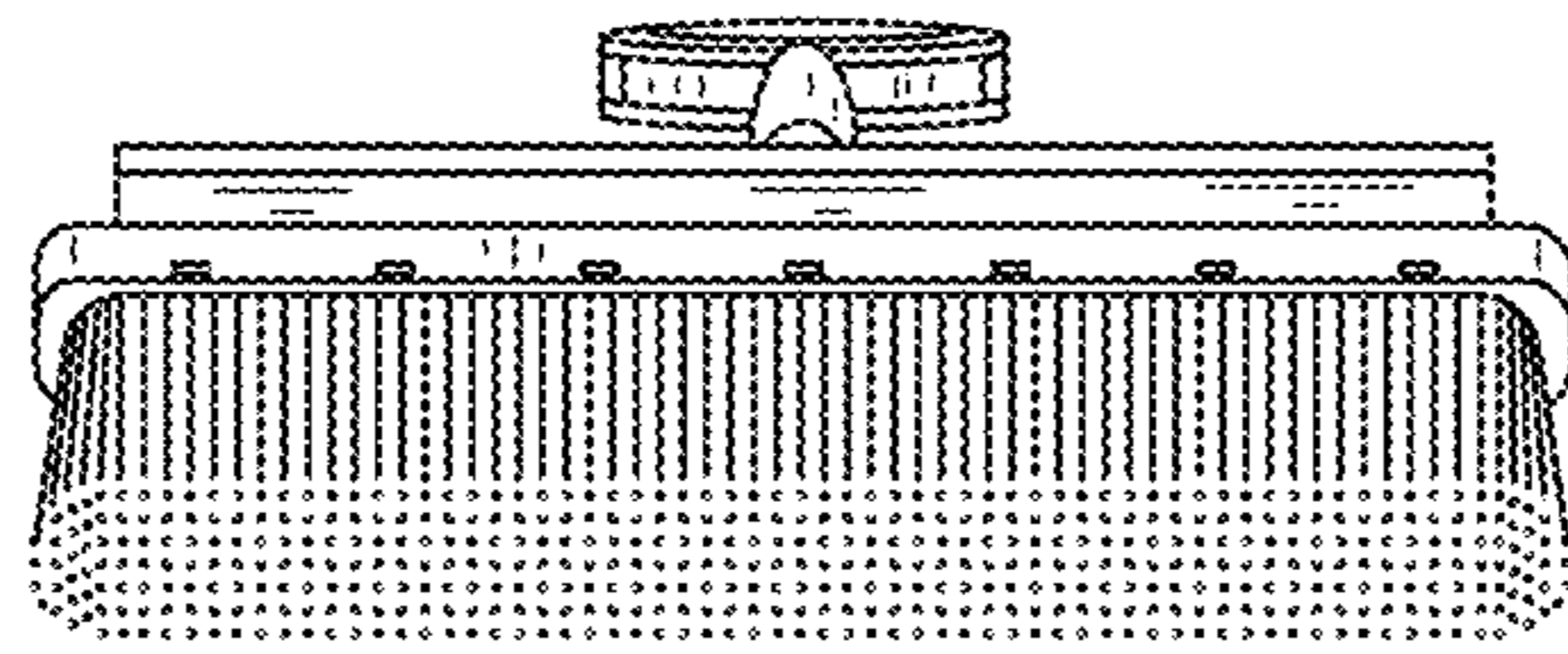


FIG. 5

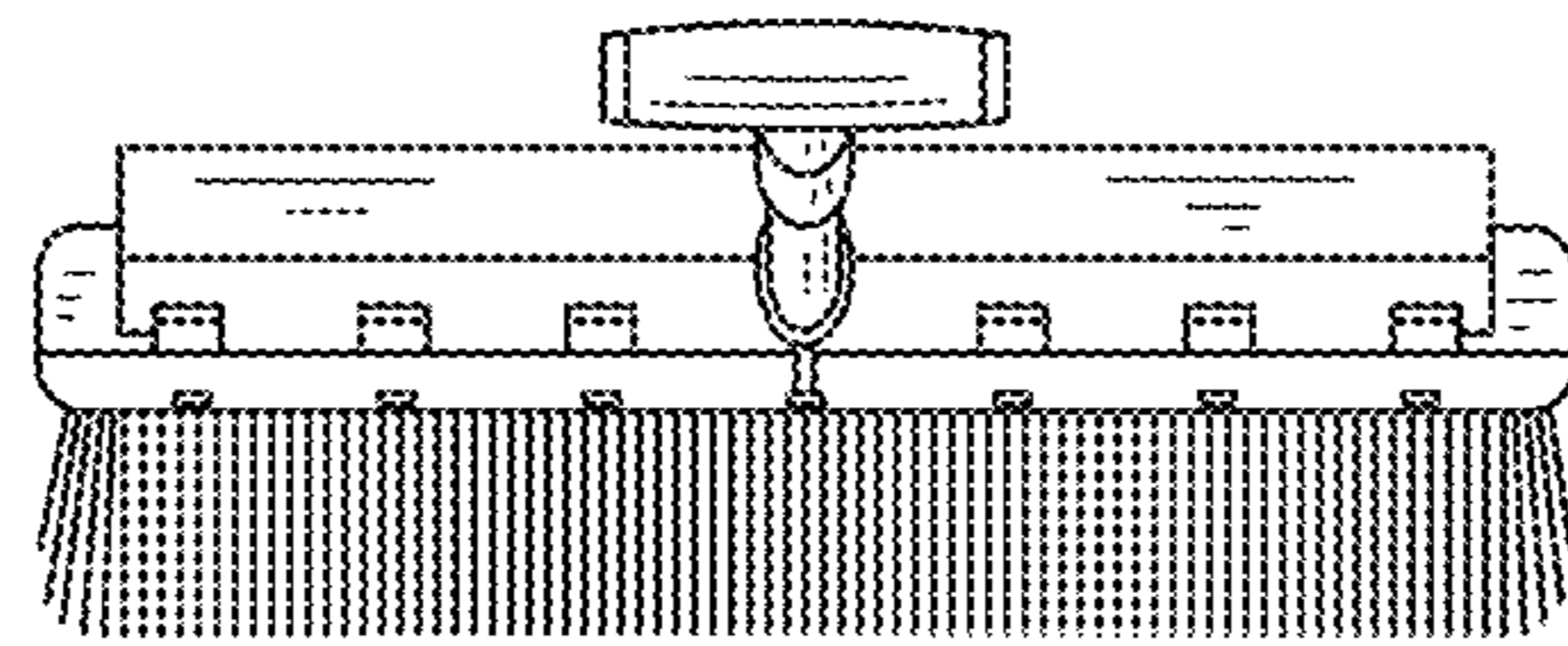


FIG. 6

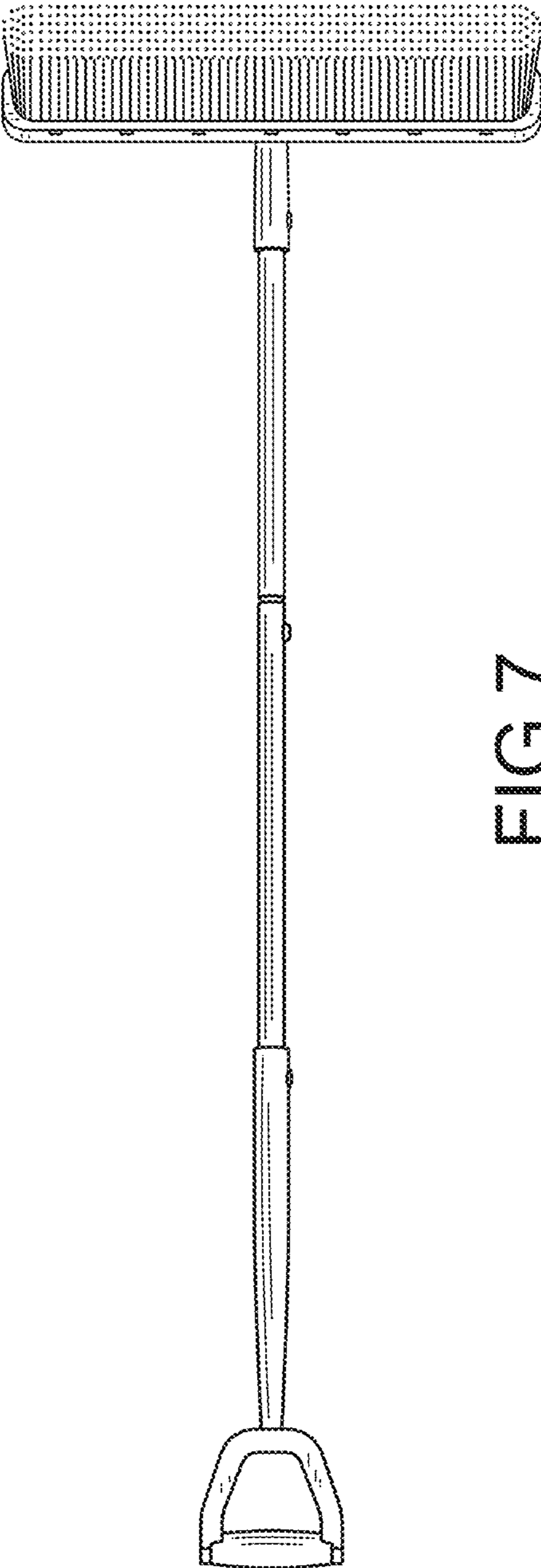


FIG.7

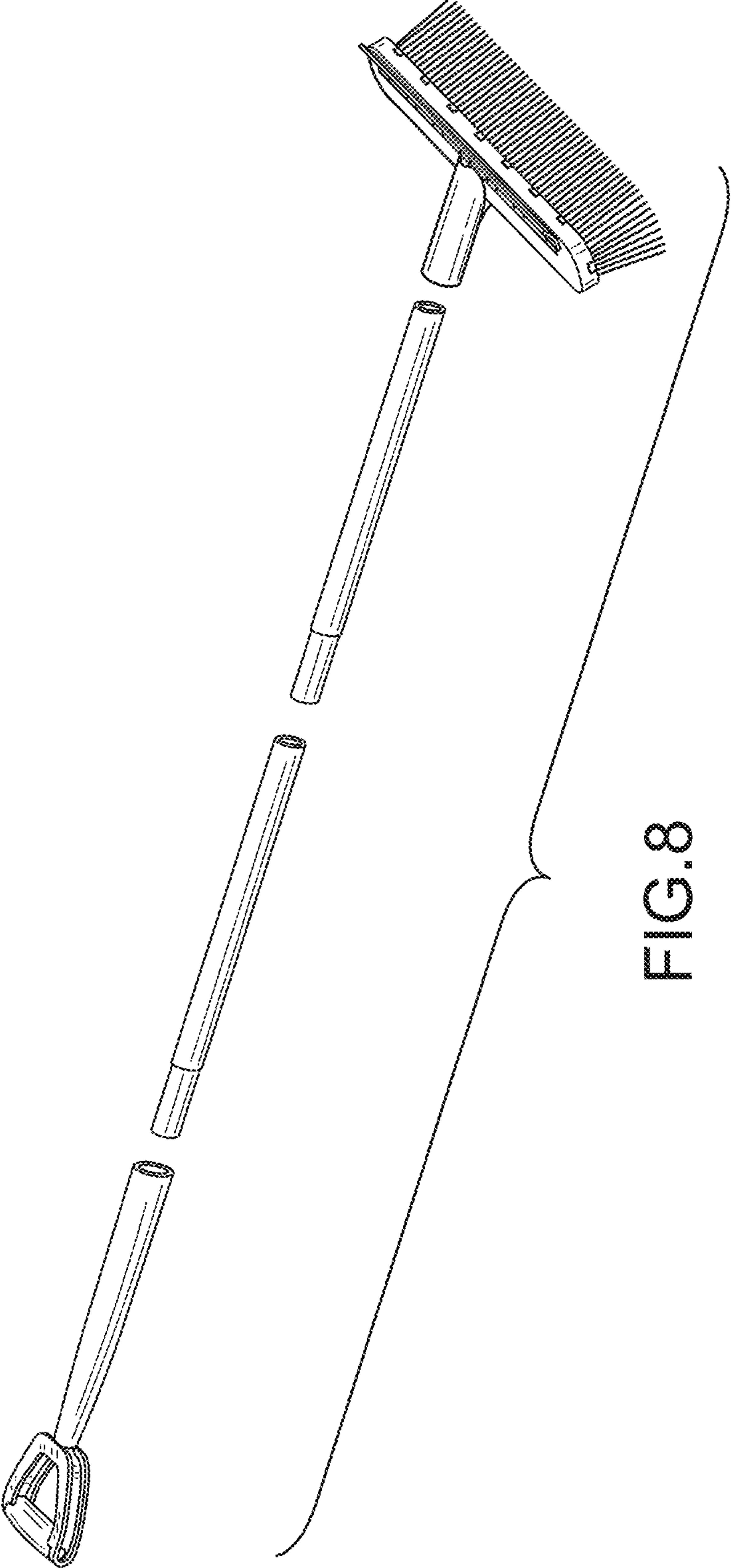


FIG. 8