



US00D714005S

(12) **United States Design Patent**
McGurk

(10) **Patent No.:** **US D714,005 S**

(45) **Date of Patent:** **** Sep. 23, 2014**

(54) **VACUUM CLEANER ATTACHMENT**

(71) Applicant: **Liam Alexander McGurk**, Cape Town
(ZA)

(72) Inventor: **Liam Alexander McGurk**, Cape Town
(ZA)

(**) Term: **14 Years**

(21) Appl. No.: **29/445,716**

(22) Filed: **Feb. 15, 2013**

(30) **Foreign Application Priority Data**

Aug. 15, 2012 (ZA) F2012/01406

(51) **LOC (10) Cl.** **15-05**

(52) **U.S. Cl.**
USPC **D32/32**

(58) **Field of Classification Search**

USPC D32/17, 22, 31-33, 50; 15/415.1-422,
15/1, 400, 414, 328, 329, 320, 22, 353,
15/361, 410, 383, 363, 327.1, 405, 246.2,
15/246.3, 4, 412, 396-399, 393, 98; 285/7
See application file for complete search history.

(56) **References Cited**

U.S. PATENT DOCUMENTS

D147,125 S * 7/1947 Harvuot D32/32
D158,774 S * 5/1950 Lippincott D32/32
D200,093 S * 1/1965 Frost D32/32

D273,146 S * 3/1984 Farr D32/31
4,694,529 A * 9/1987 Choiniere 15/393
D303,026 S * 8/1989 Kilakis D32/32
5,060,341 A * 10/1991 Nelle 15/314
D405,570 S * 2/1999 Broecking D32/32
D509,332 S * 9/2005 White D32/32
D513,101 S * 12/2005 Allard et al. D32/32
D526,102 S * 8/2006 Adams D32/32
D658,832 S * 5/2012 Eden et al. D32/32
D666,373 S * 8/2012 Eden et al. D32/32
2004/0158954 A1 * 8/2004 Bailey et al. 15/415.1
2007/0209154 A1 * 9/2007 Griffith et al. 15/415.1
2010/0170060 A1 * 7/2010 Eccardt et al. 15/415.1

* cited by examiner

Primary Examiner — Ruth McInroy

(74) *Attorney, Agent, or Firm* — Nixon & Vanderhye PC

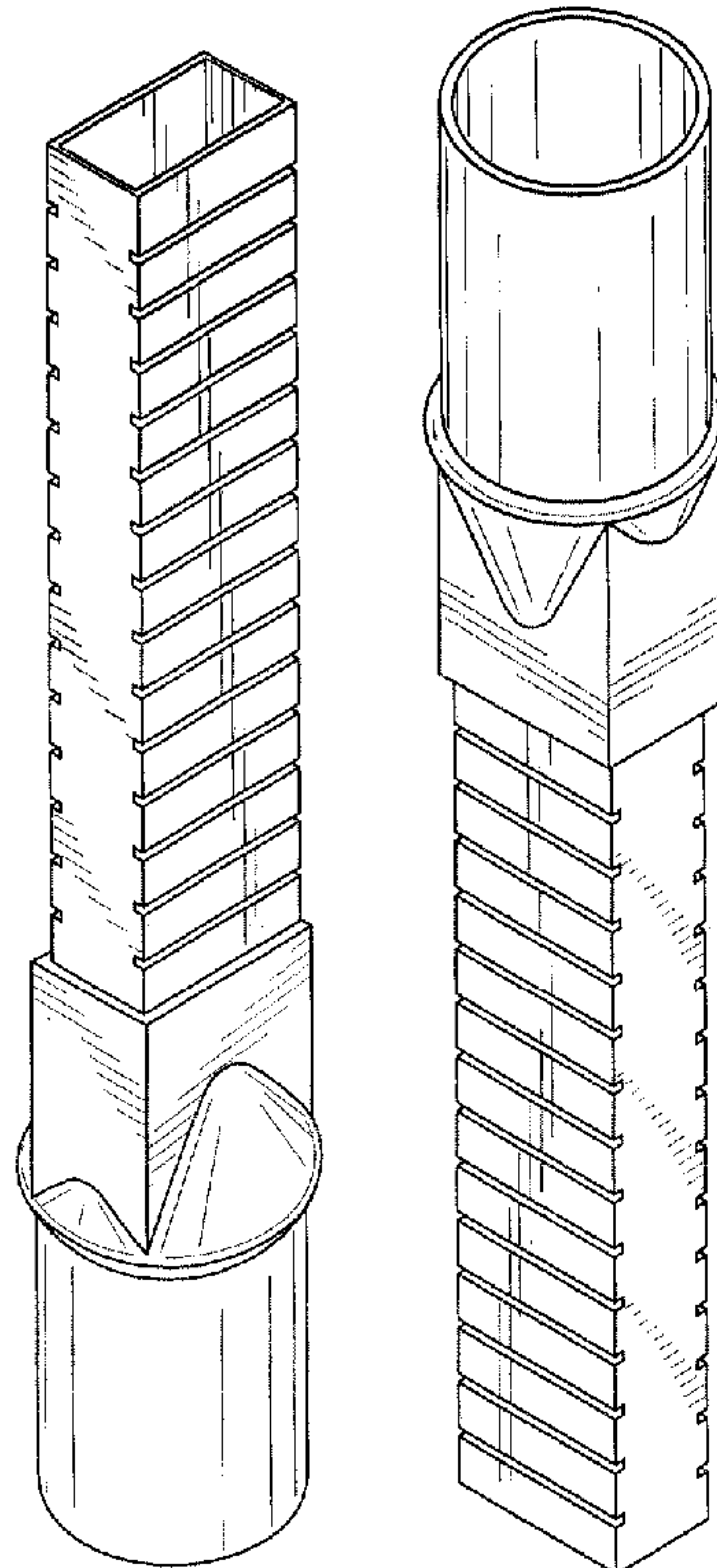
(57) **CLAIM**

The ornamental design for a vacuum cleaner attachment, as shown and described.

DESCRIPTION

FIG. 1 is a top, front and left side perspective view of a vacuum cleaner attachment showing my new design;
FIG. 2 is a bottom, rear and right side perspective view thereof;
FIG. 3 is a right side elevation view thereof, the opposite side being identical;
FIG. 4 is a front elevation view thereof, the rear view being identical;
FIG. 5 is a bottom plan view thereof; and,
FIG. 6 is a top plan view thereof.

1 Claim, 2 Drawing Sheets



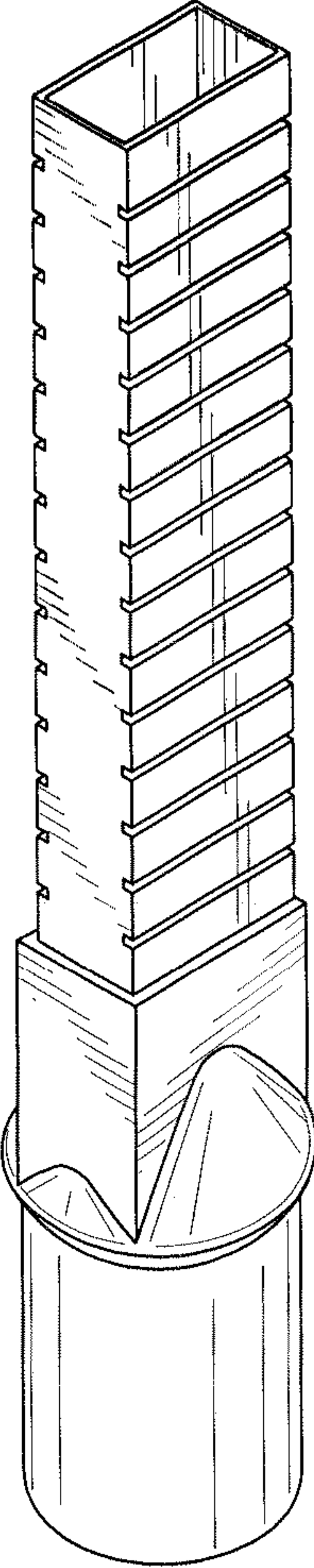


FIG. 1

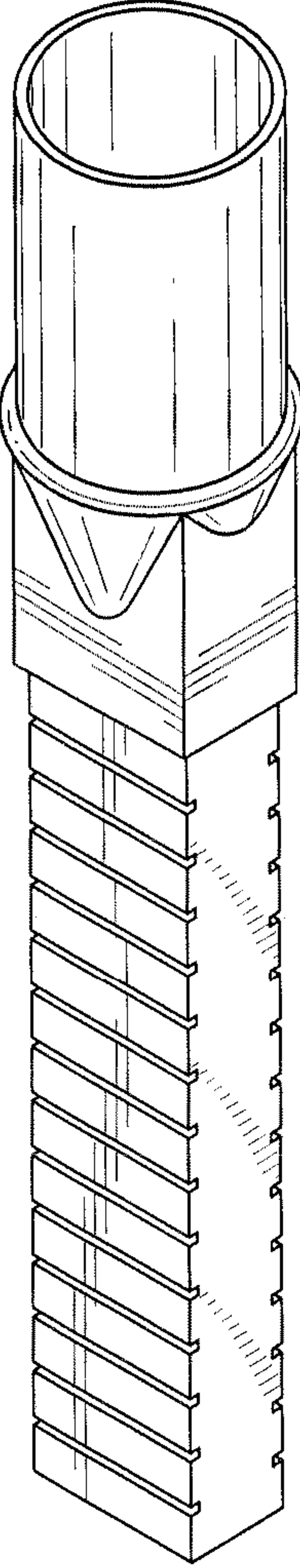


FIG. 2

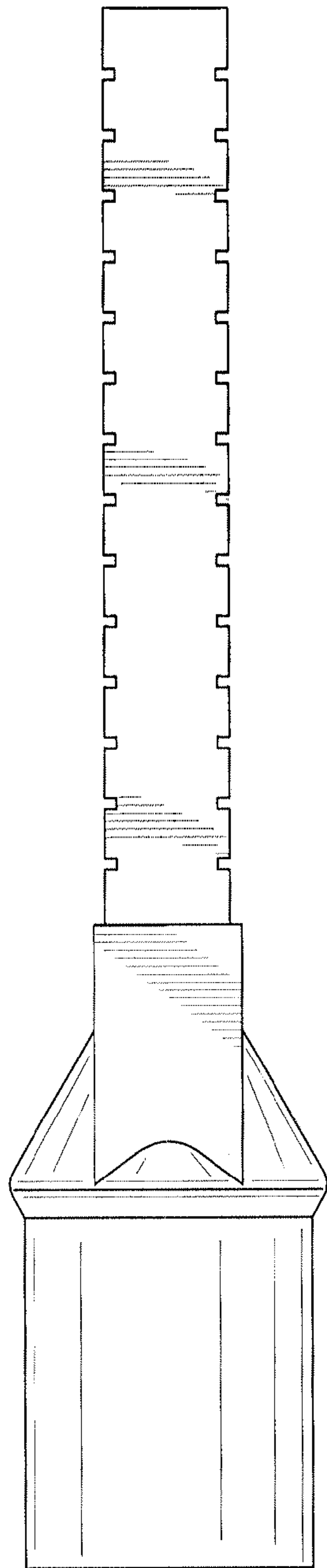


FIG. 3

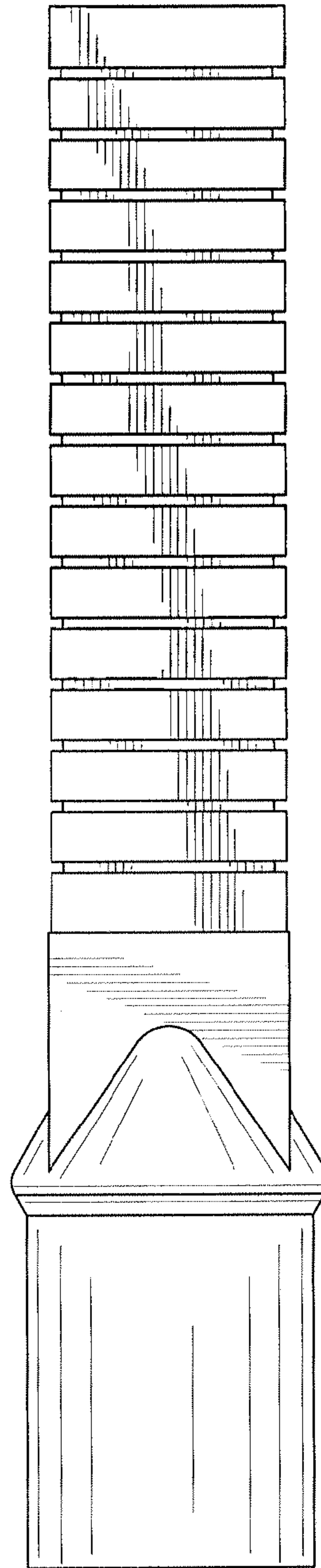


FIG. 4

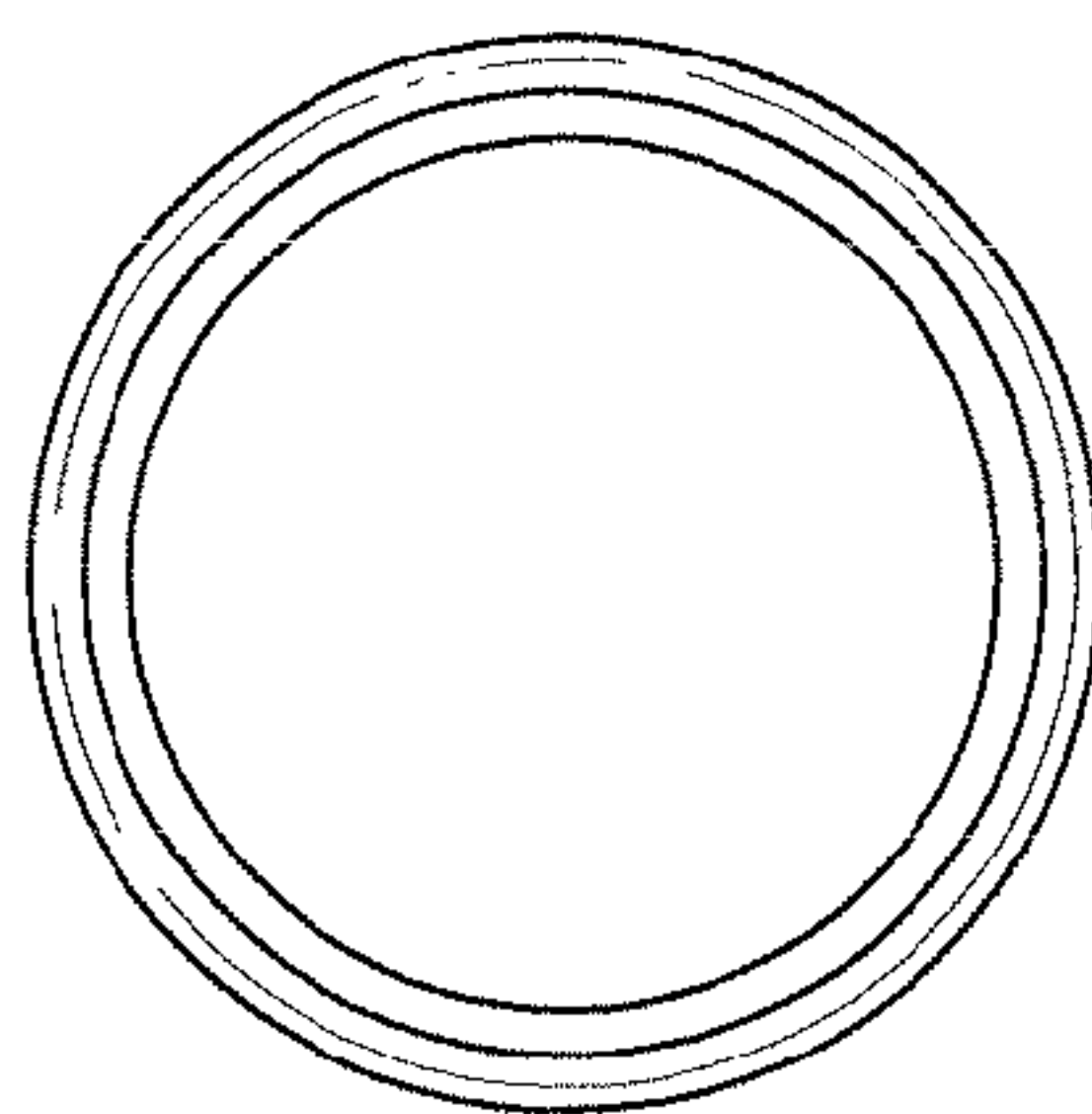


FIG. 5

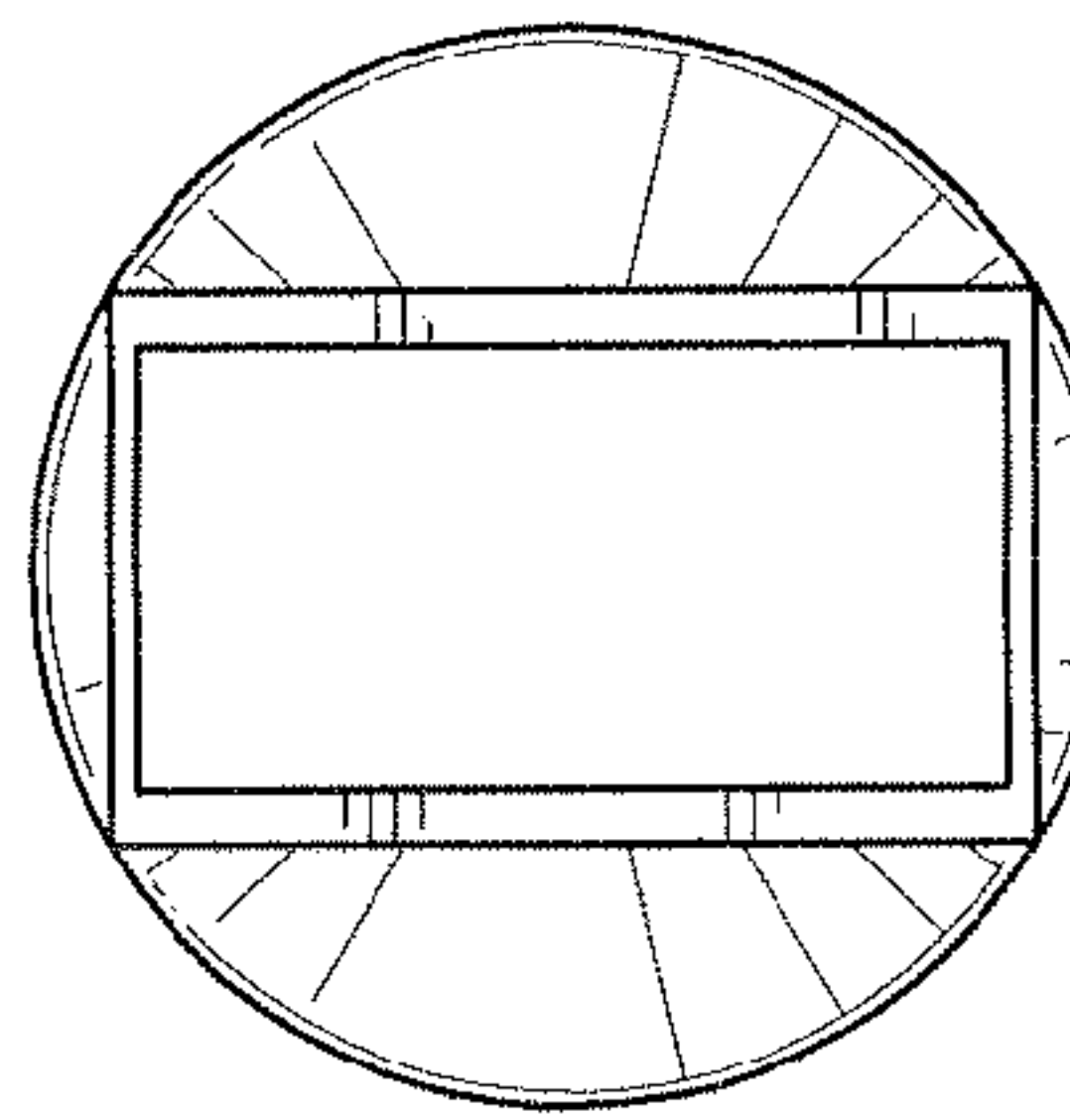


FIG. 6