



US00D714004S

(12) **United States Design Patent**
Shin et al.

(10) **Patent No.:** **US D714,004 S**
(45) **Date of Patent:** **** Sep. 23, 2014**

(54) **VACUUM CLEANER**

(71) Applicant: **Samsung Electronics Co., Ltd.**,
Suwon-si (KR)

(72) Inventors: **Dong-Ju Shin**, Seoul (KR); **Dong-Won Chun**, Paju-Si (KR)

(73) Assignee: **Samsung Electronics Co., Ltd.**,
Suwon-si (KR)

(**) Term: **14 Years**

(21) Appl. No.: **29/454,375**

(22) Filed: **May 9, 2013**

(30) **Foreign Application Priority Data**

Nov. 26, 2012 (KR) 30-2012-0056364

(51) **LOC (10) Cl.** **15-05**

(52) **U.S. Cl.**
USPC **D32/31**

(58) **Field of Classification Search**
USPC D32/21, 23-24, 31; 15/327.1-327.7,
15/352, 353, 321, 347, 329; 55/429,
55/DIG. 3, 337; D12/204, 207, 209, 13,
D12/215; D21/563

See application file for complete search history.

(56) **References Cited**

U.S. PATENT DOCUMENTS

D382,679	S	*	8/1997	Dyson	D32/21
D461,606	S	*	8/2002	Kim	D32/21
6,484,350	B2	*	11/2002	Yung	15/327.1
D580,608	S	*	11/2008	Santiago et al.	D32/21
D582,109	S	*	12/2008	Kim et al.	D32/21
D621,107	S	*	8/2010	Kim et al.	D32/21
D657,508	S	*	4/2012	Dyson et al.	D32/21
D667,180	S	*	9/2012	Ghim et al.	D32/21
2002/0069476	A1	*	6/2002	Yung	15/352

* cited by examiner

Primary Examiner — Ruth McInroy

(74) *Attorney, Agent, or Firm* — NSIP Law

(57) **CLAIM**

We claim the ornamental design for a vacuum cleaner, as shown and described.

DESCRIPTION

FIG. 1 is a perspective view of a vacuum cleaner, showing our new design;

FIG. 2 is a front view thereof;

FIG. 3 is a rear view thereof;

FIG. 4 is a left-side view thereof;

FIG. 5 is a right-side view thereof;

FIG. 6 is a top plan view thereof;

FIG. 7 is a bottom plan view thereof; and,

FIG. 8 is a perspective view thereof showing the cover in a closed position.

The broken lines are for environmental purposes only and form no part of the claimed design.

1 Claim, 8 Drawing Sheets

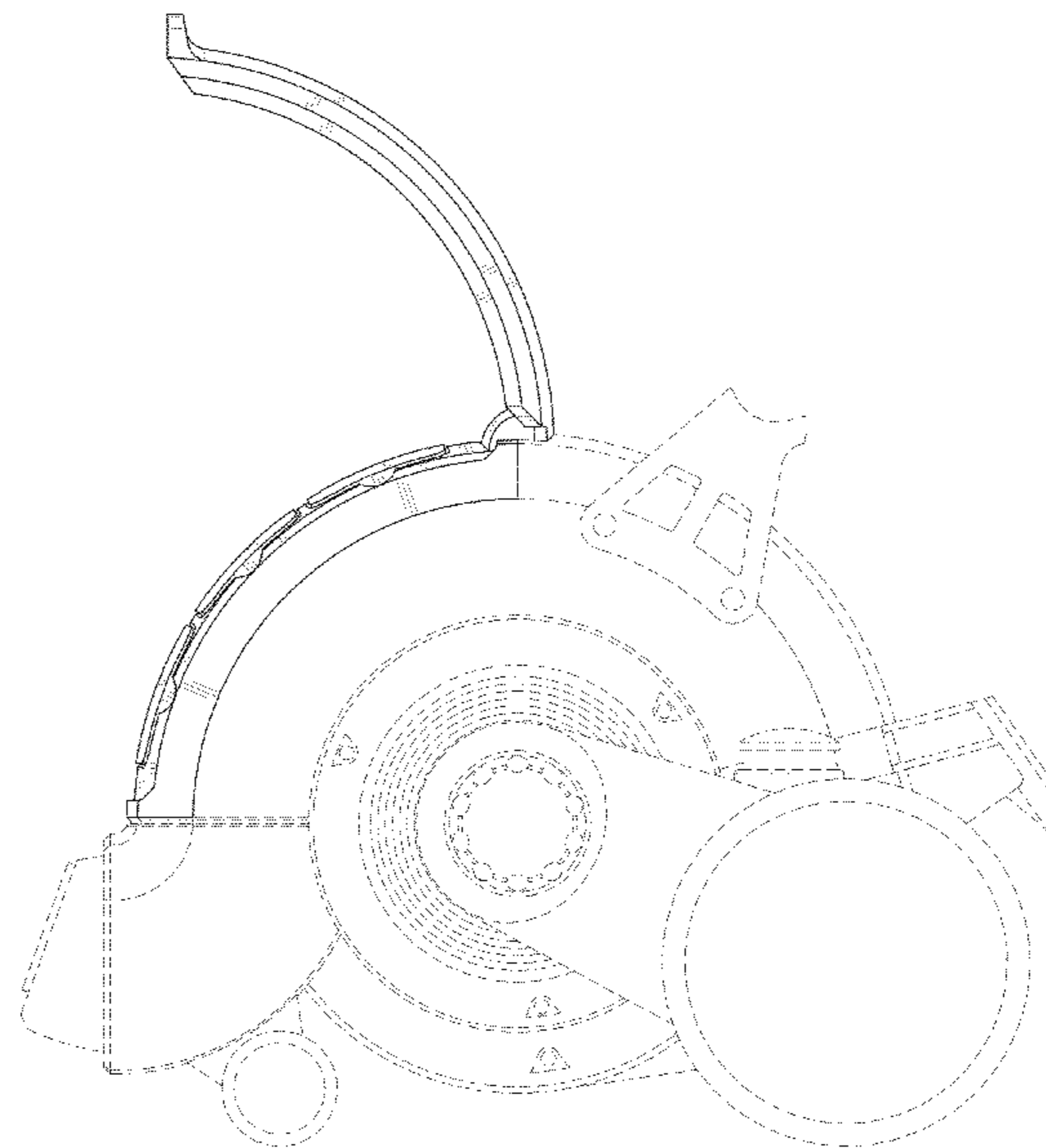
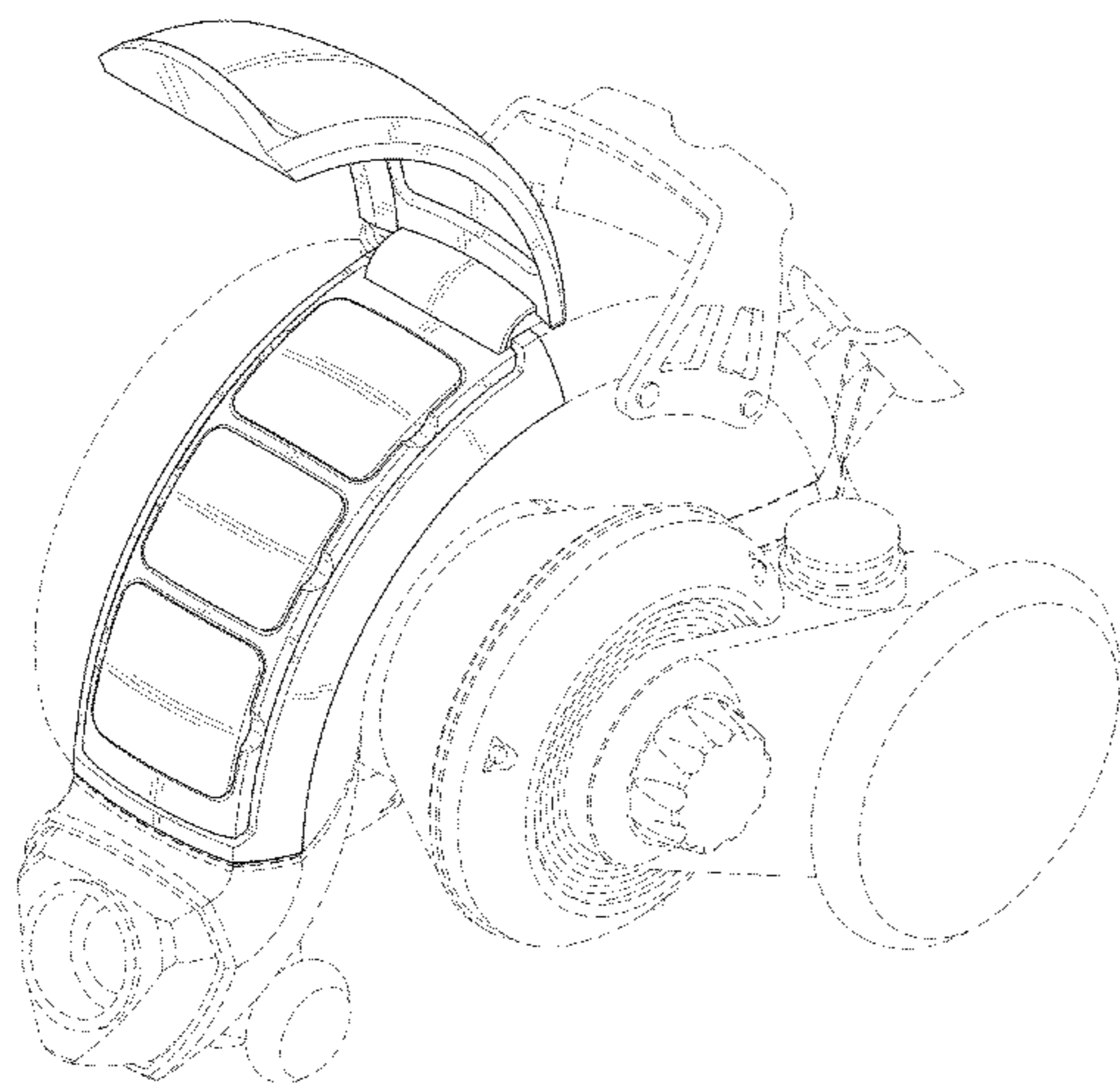


FIG. 1

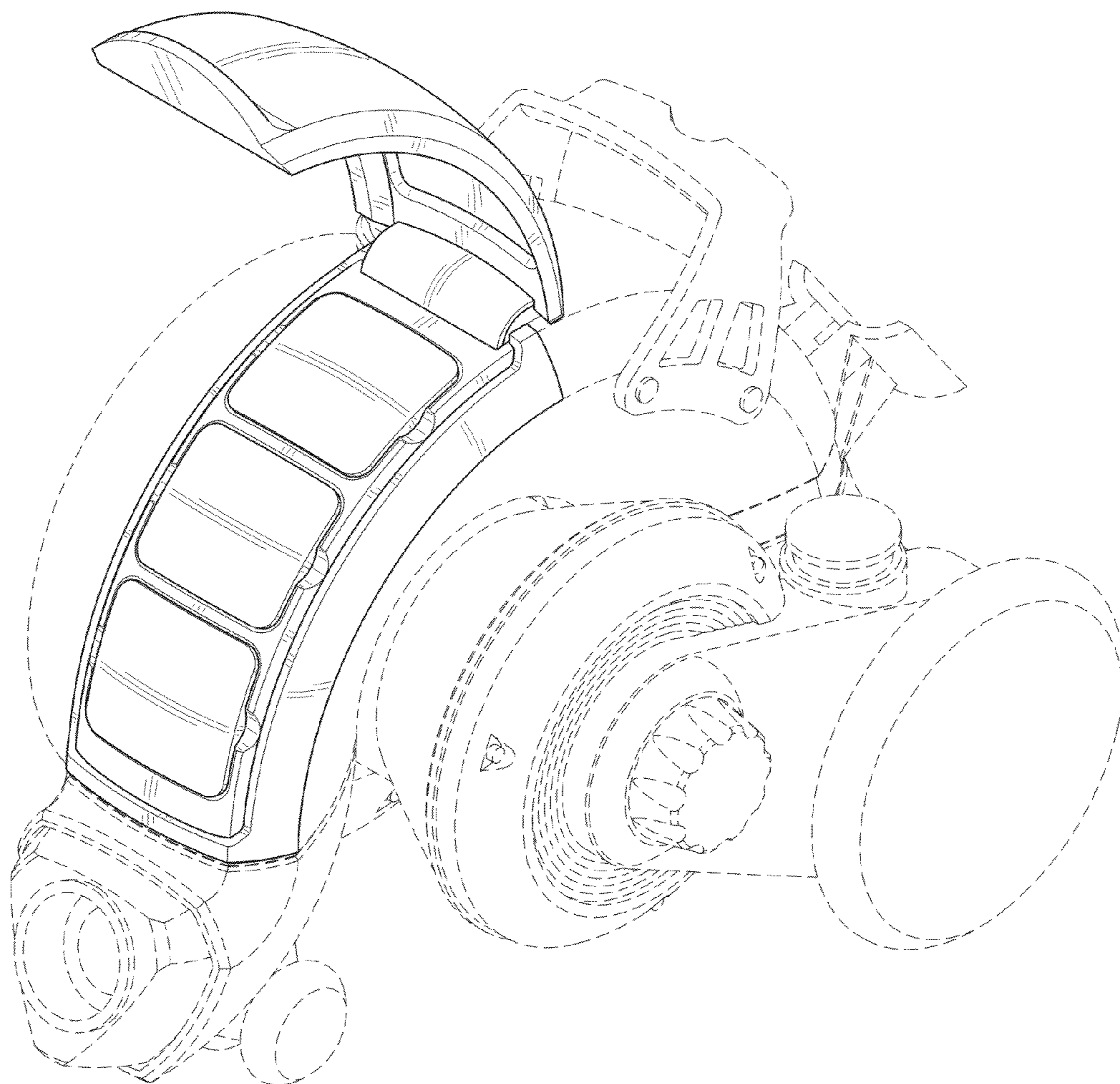


FIG. 2

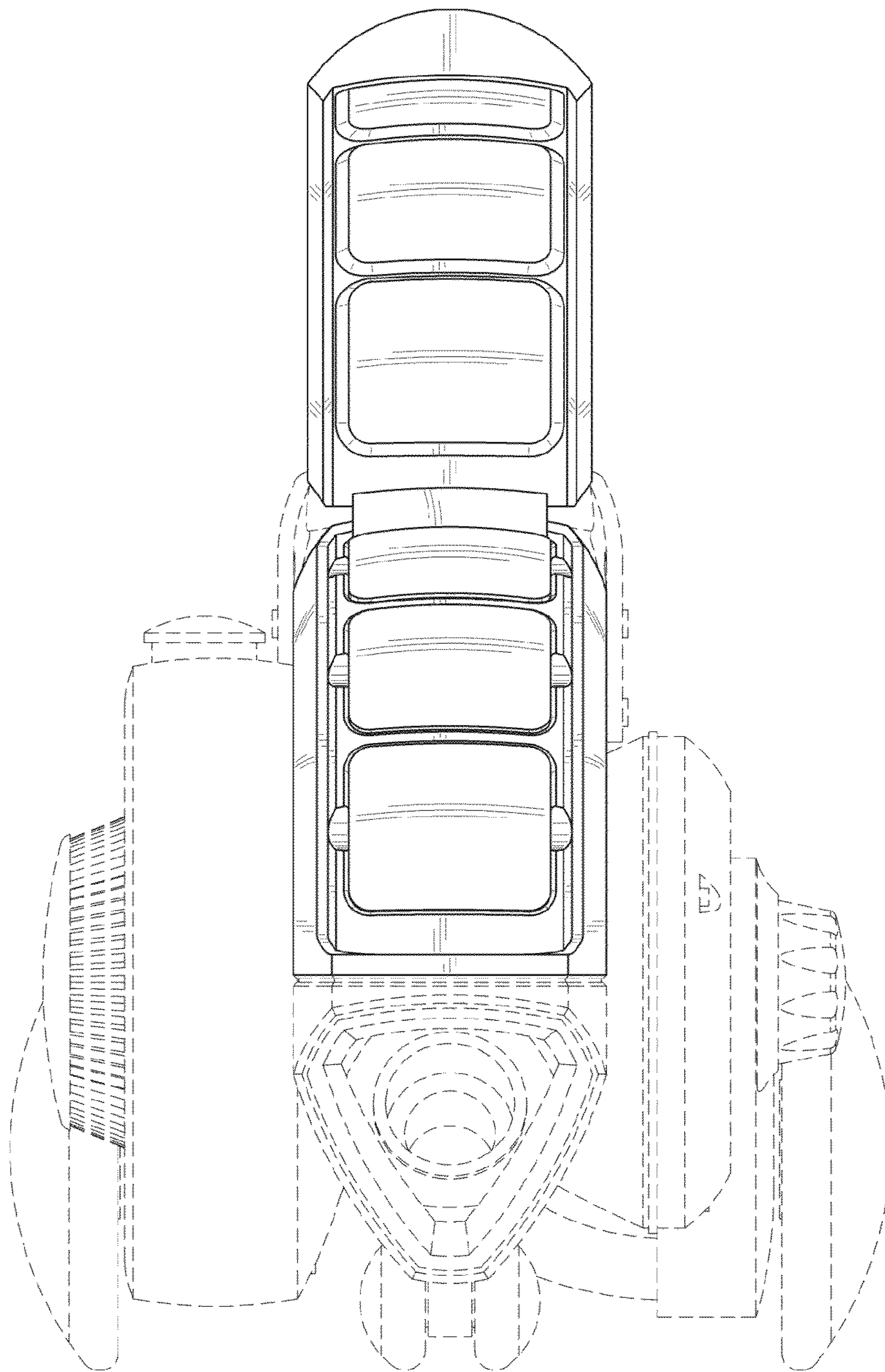


FIG. 3

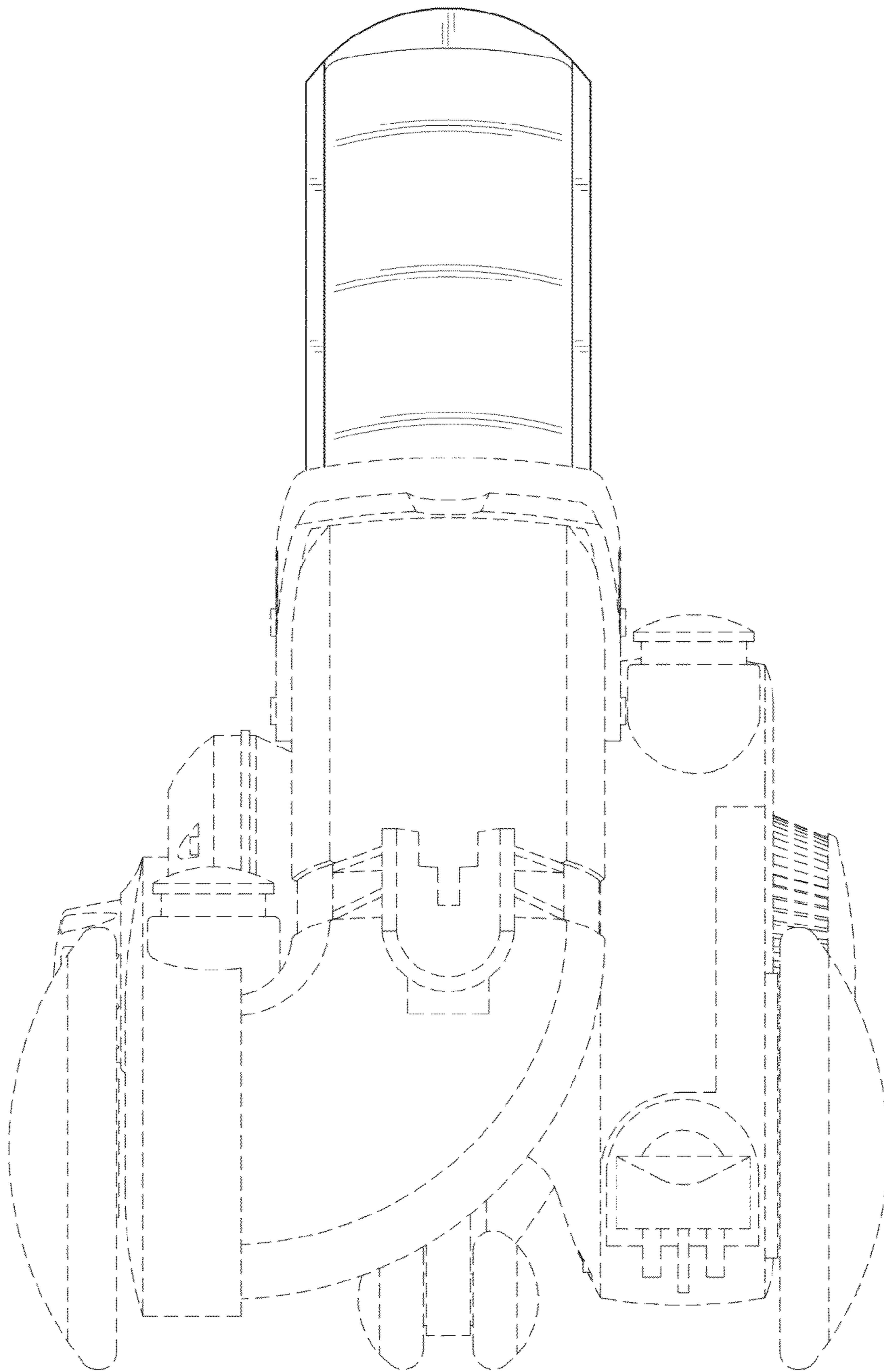


FIG. 4

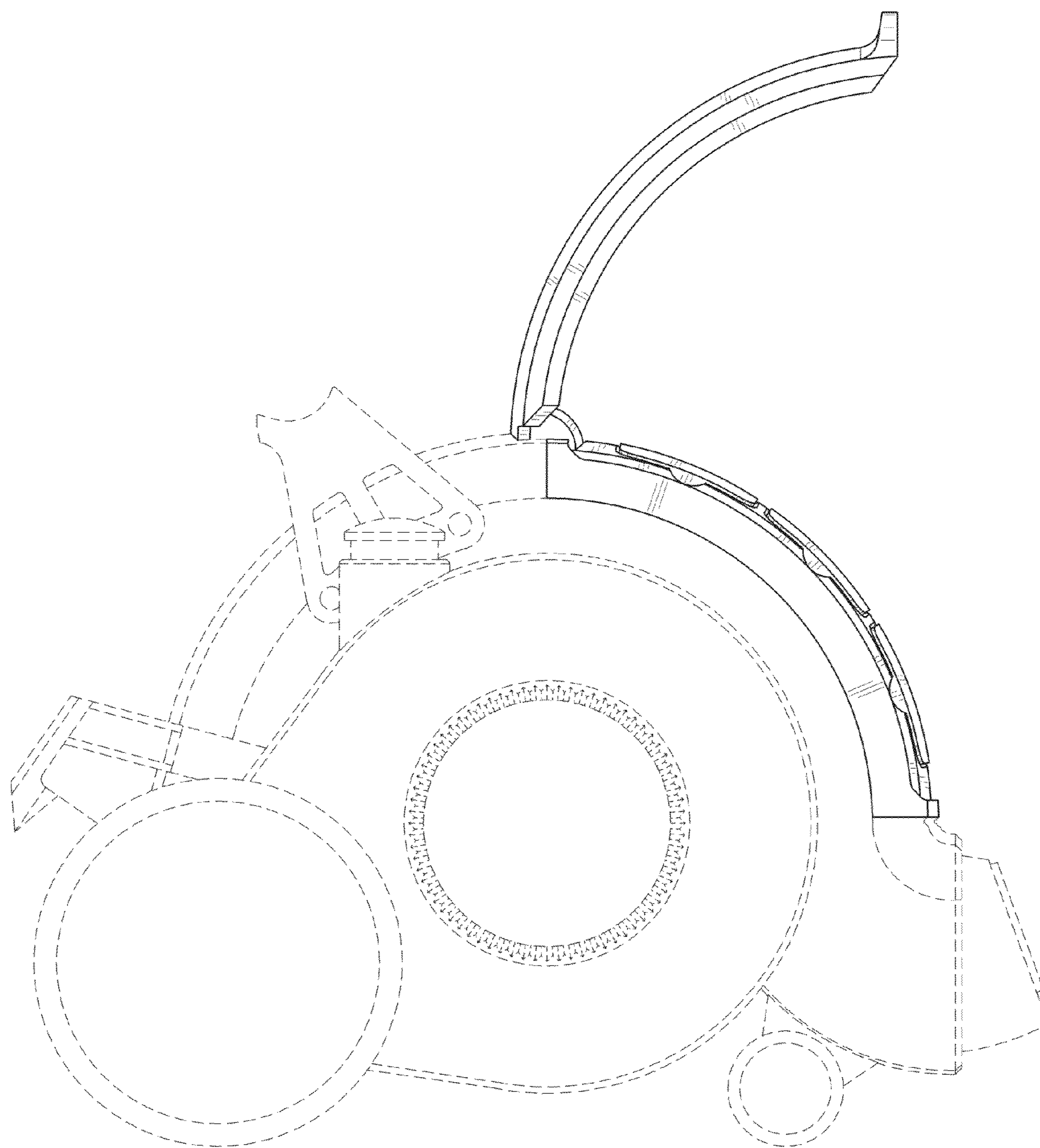


FIG. 5

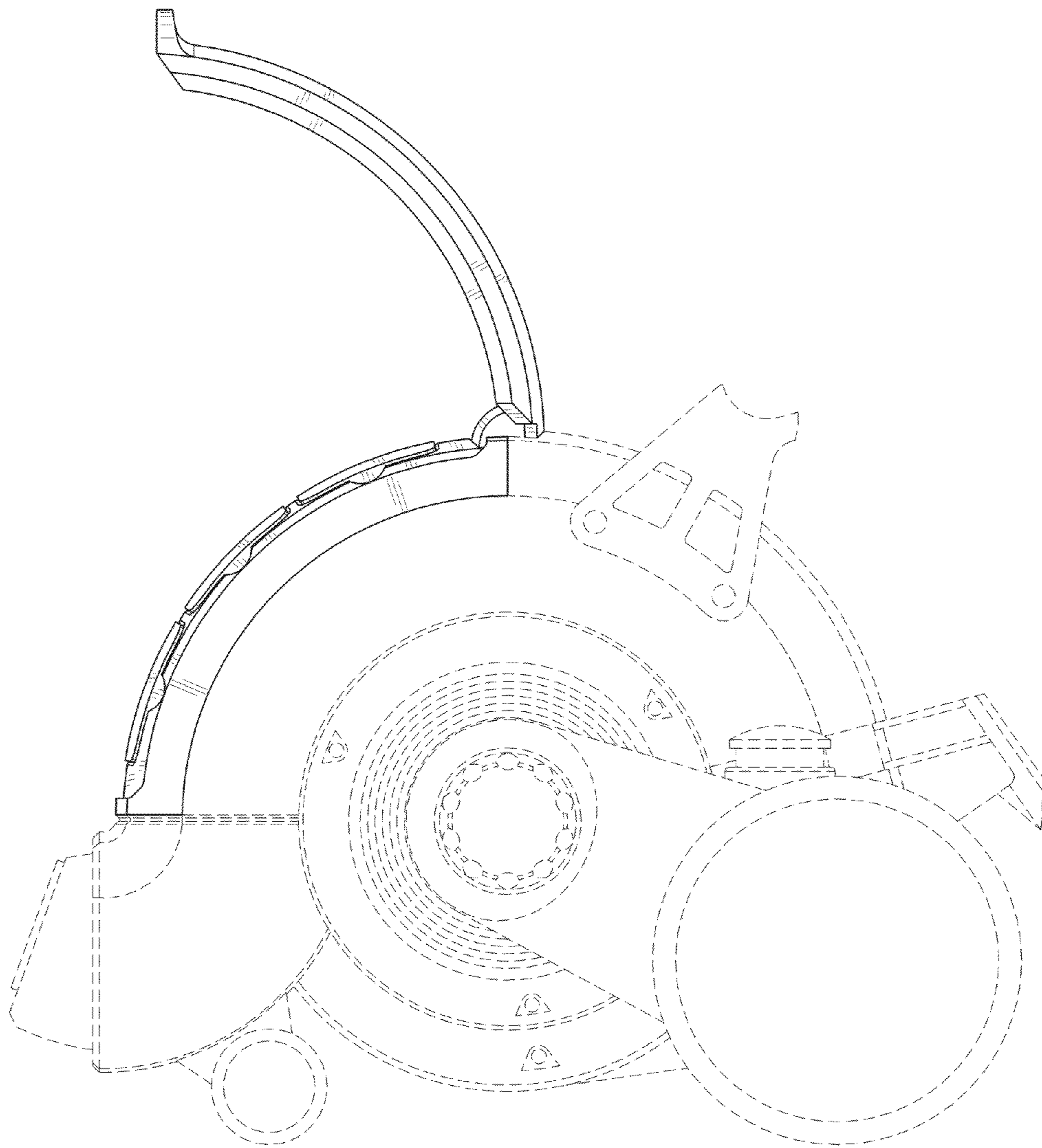


FIG. 6

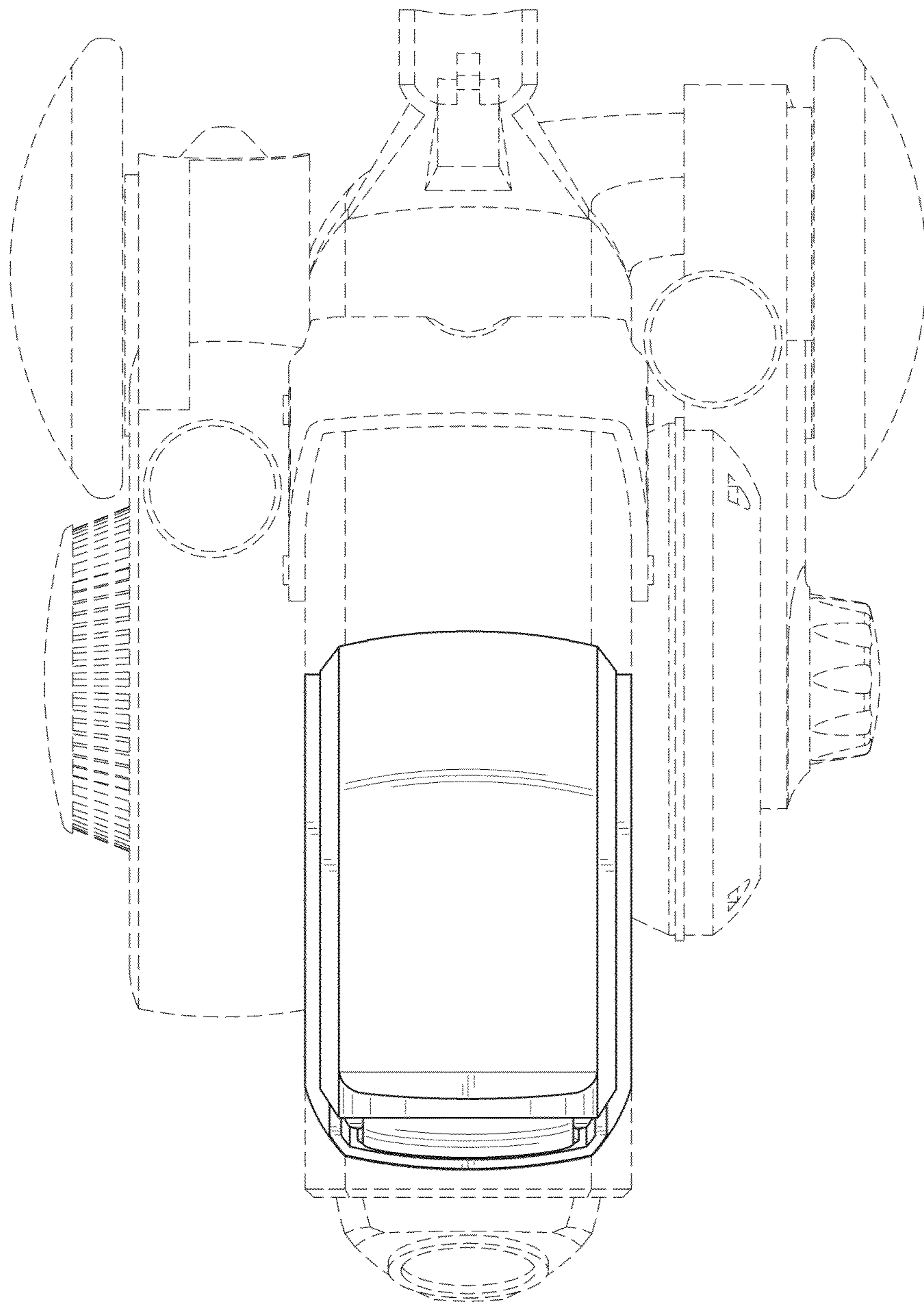


FIG. 7

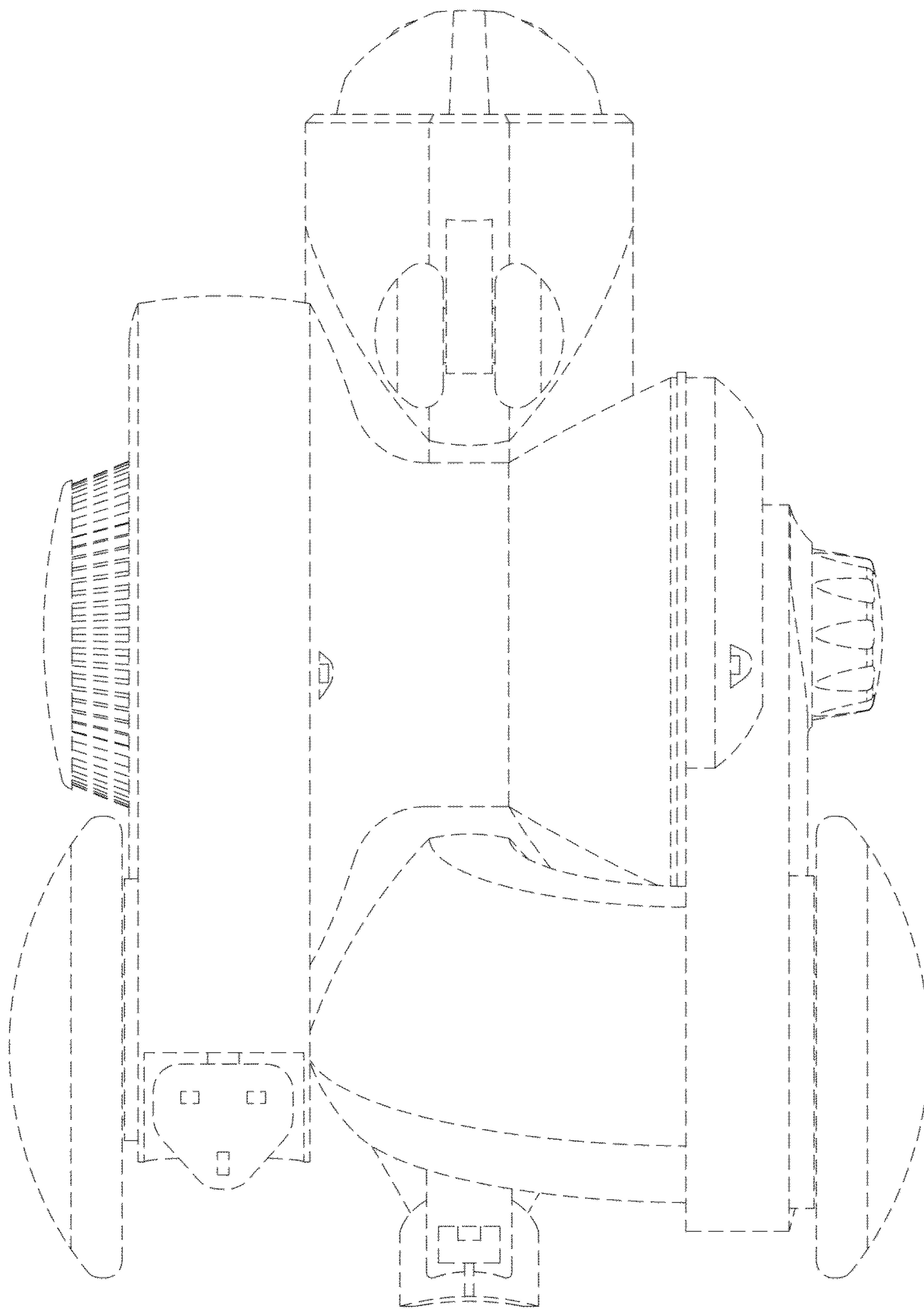


FIG. 8

