



US00D714001S

(12) **United States Design Patent**  
**Yun et al.**

(10) **Patent No.:** **US D714,001 S**

(45) **Date of Patent:** **\*\* Sep. 23, 2014**

(54) **VACUUM CLEANER**

(71) Applicant: **Samsung Electronics Co., Ltd.**,  
Suwon-si (KR)

(72) Inventors: **Deok-Sang Yun**, Ahnsan-Si (KR);  
**Yeon-Young Nam**, Goyang-Si (KR);  
**Dong-Won Chun**, Paju-Si (KR)

(73) Assignee: **Samsung Electronics Co., Ltd.**,  
Suwon-si (KR)

(\*\*) Term: **14 Years**

(21) Appl. No.: **29/454,906**

(22) Filed: **May 15, 2013**

(30) **Foreign Application Priority Data**

Nov. 28, 2012 (KR) ..... 30-2012-0056995

(51) **LOC (10) Cl.** ..... **15-05**

(52) **U.S. Cl.**  
USPC ..... **D32/21**

(58) **Field of Classification Search**  
USPC ..... D32/21, 23-24, 31; 15/327.1-327.7,  
15/352, 353, 321, 347, 329; 55/429,  
55/DIG. 3, 337; D12/204, 207, 209, 13,  
D12/215; D21/563

See application file for complete search history.

(56) **References Cited**

U.S. PATENT DOCUMENTS

D445,226 S \* 7/2001 Jupp ..... D32/21  
6,484,350 B2 \* 11/2002 Yung ..... 15/327.1

D534,696 S \* 1/2007 Choi ..... D32/21  
D550,908 S \* 9/2007 Shin ..... D32/21  
D550,909 S \* 9/2007 Shin ..... D32/21  
D550,910 S \* 9/2007 Shin ..... D32/21  
D552,310 S \* 10/2007 Shin ..... D32/21  
D556,400 S \* 11/2007 Houghton ..... D32/21  
7,555,808 B2 \* 7/2009 Oh et al. .... 15/327.2  
D646,030 S \* 9/2011 Carr et al. .... D32/21  
D646,031 S \* 9/2011 Carr et al. .... D32/21  
2002/0069476 A1 \* 6/2002 Yung ..... 15/352  
2003/0208875 A1 \* 11/2003 Ito et al. .... 15/327.2  
2006/0101610 A1 \* 5/2006 Oh et al. .... 15/327.2

\* cited by examiner

*Primary Examiner* — Ruth McInroy

(74) *Attorney, Agent, or Firm* — NSIP Law

(57) **CLAIM**

We claim the ornamental design for a vacuum cleaner, as shown and described.

**DESCRIPTION**

FIG. 1 is a perspective view of a vacuum cleaner, showing our new design;

FIG. 2 is a front view thereof;

FIG. 3 is a rear view thereof;

FIG. 4 is a left-side view thereof;

FIG. 5 is a right-side view thereof;

FIG. 6 is a top plan view thereof;

FIG. 7 is a bottom plan view thereof; and,

FIG. 8 is an enlarged partial perspective view of the wheel in FIG. 1.

The broken lines are for illustrative purposes only and form no part of the claimed design.

**1 Claim, 8 Drawing Sheets**

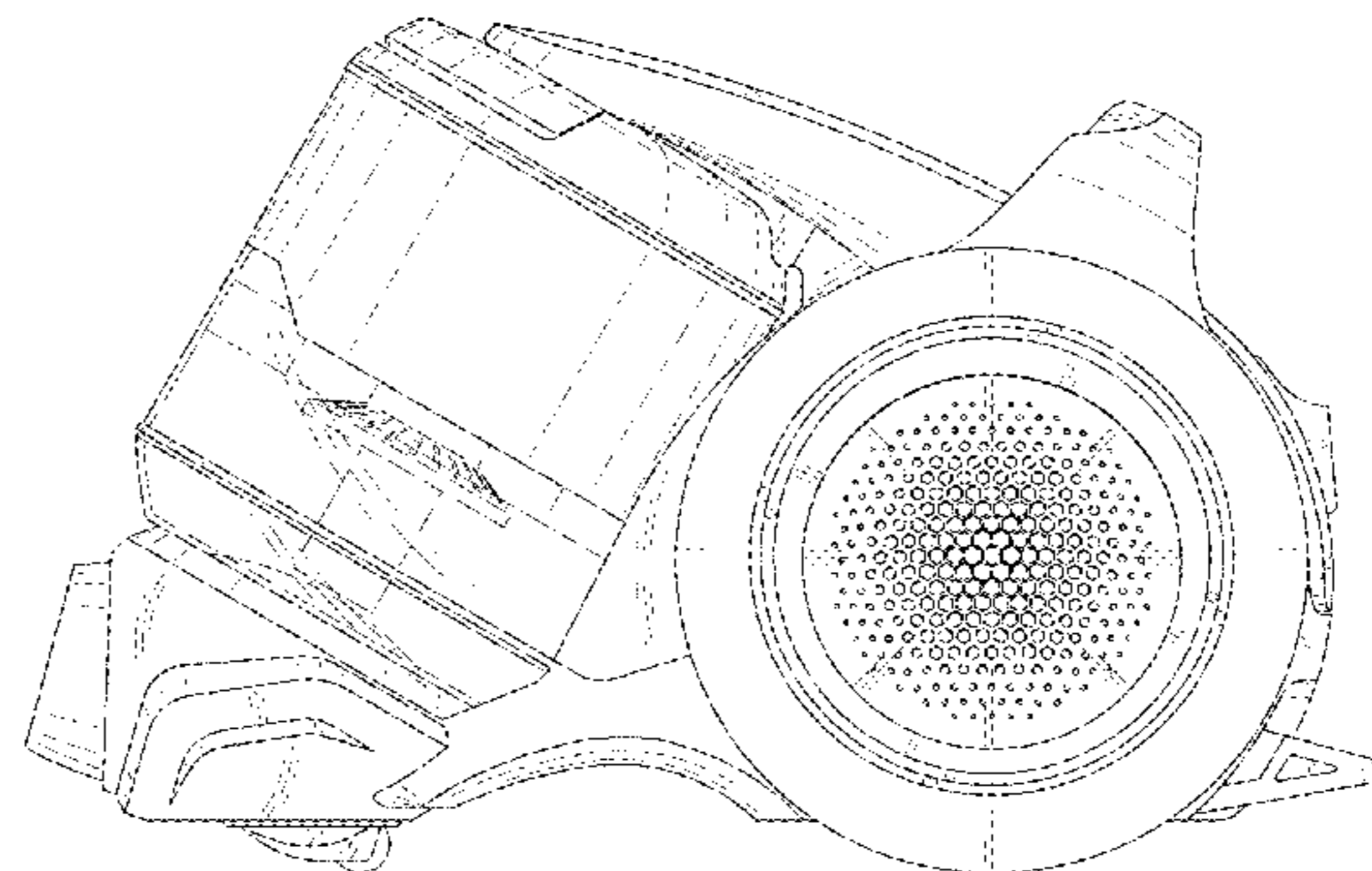
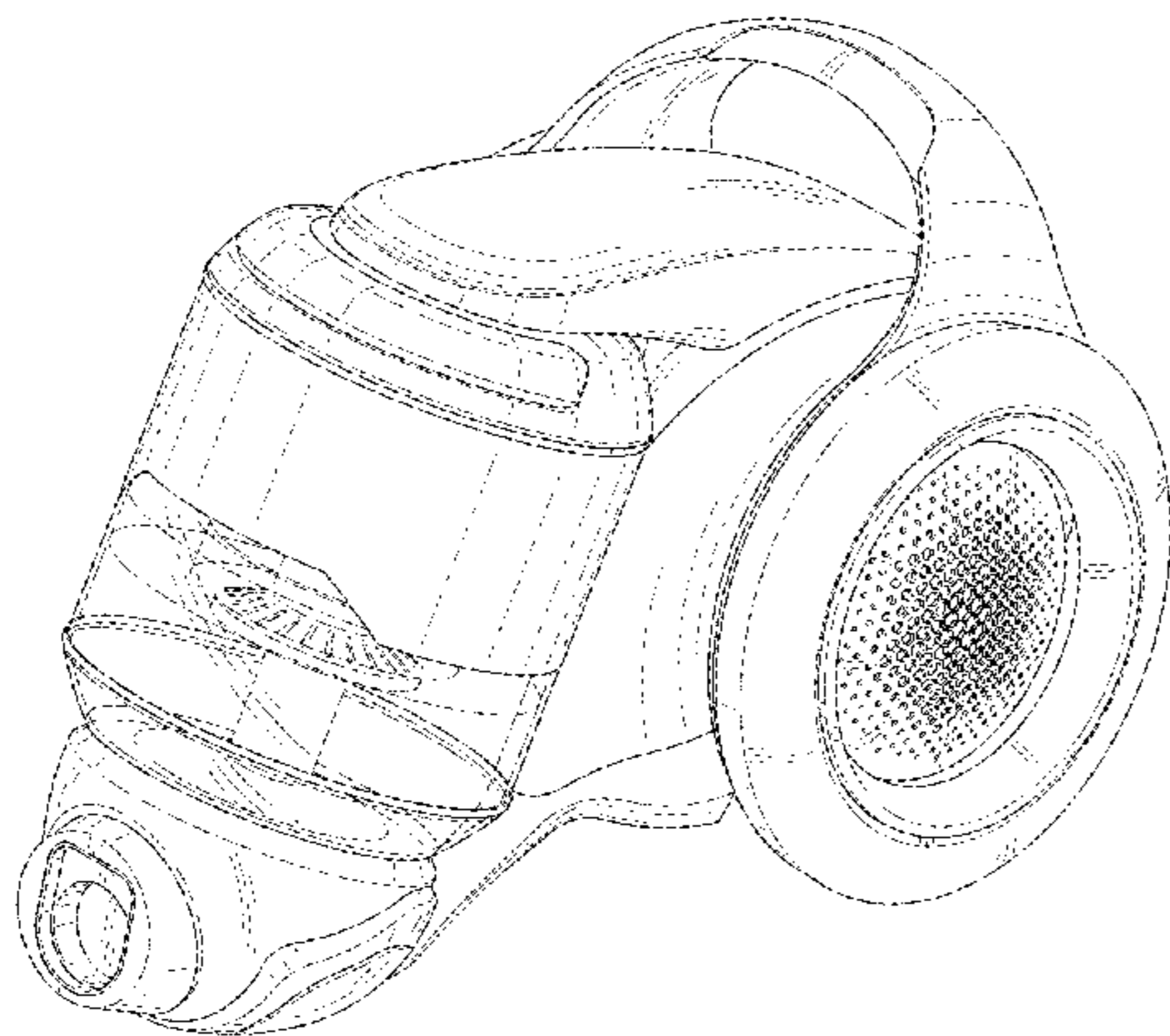


FIG. 1

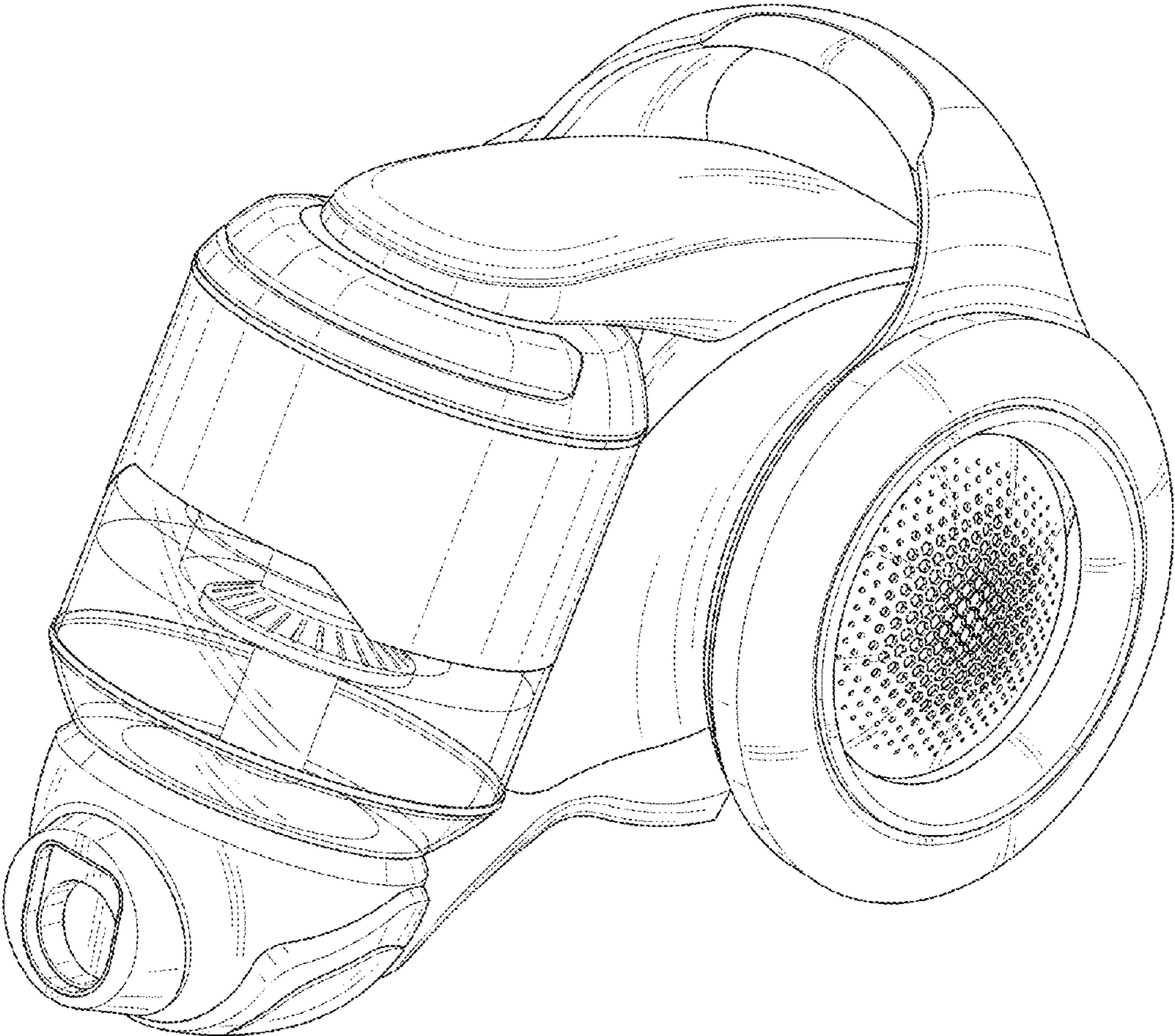


FIG. 2

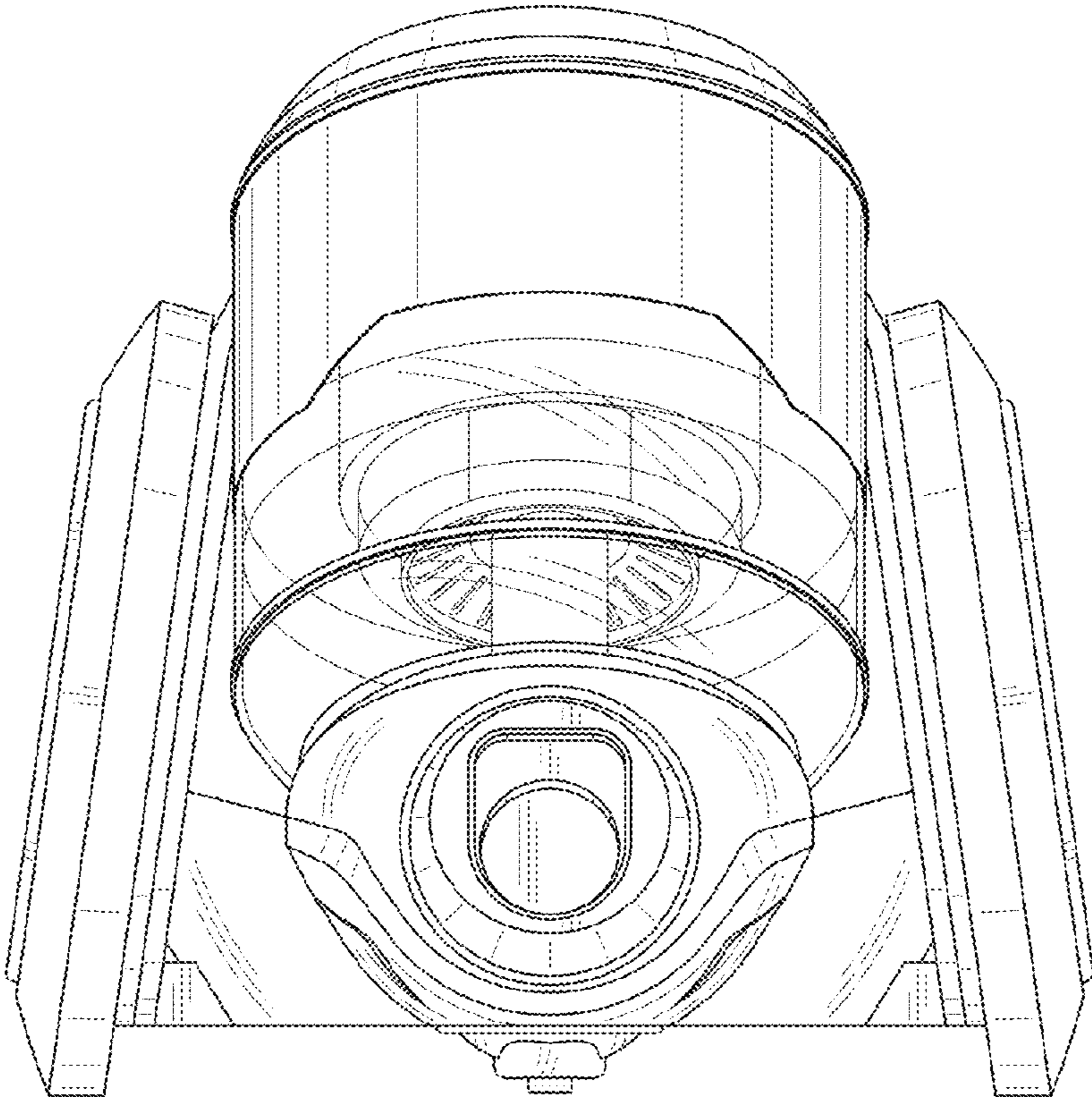


FIG. 3

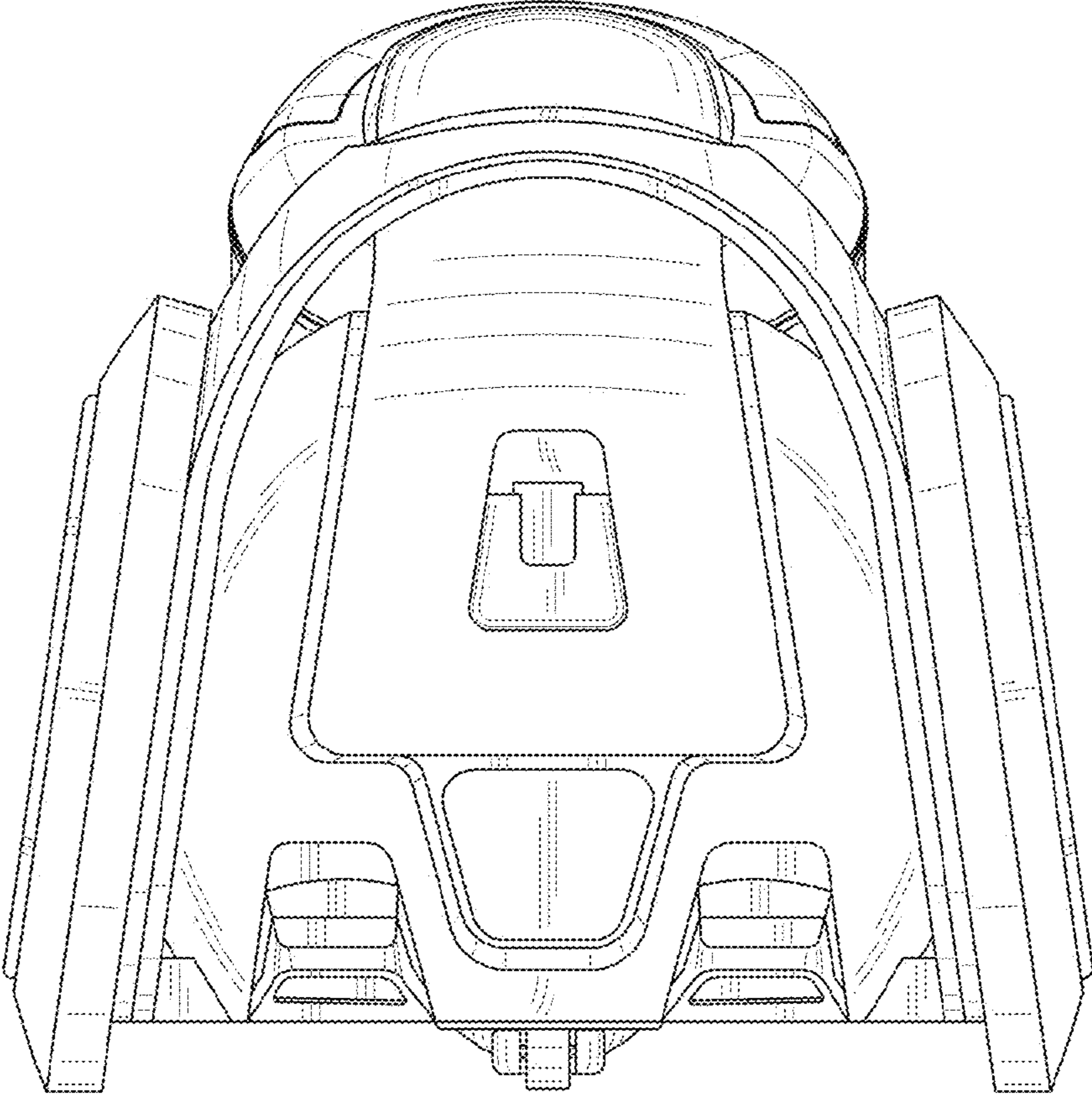


FIG. 4

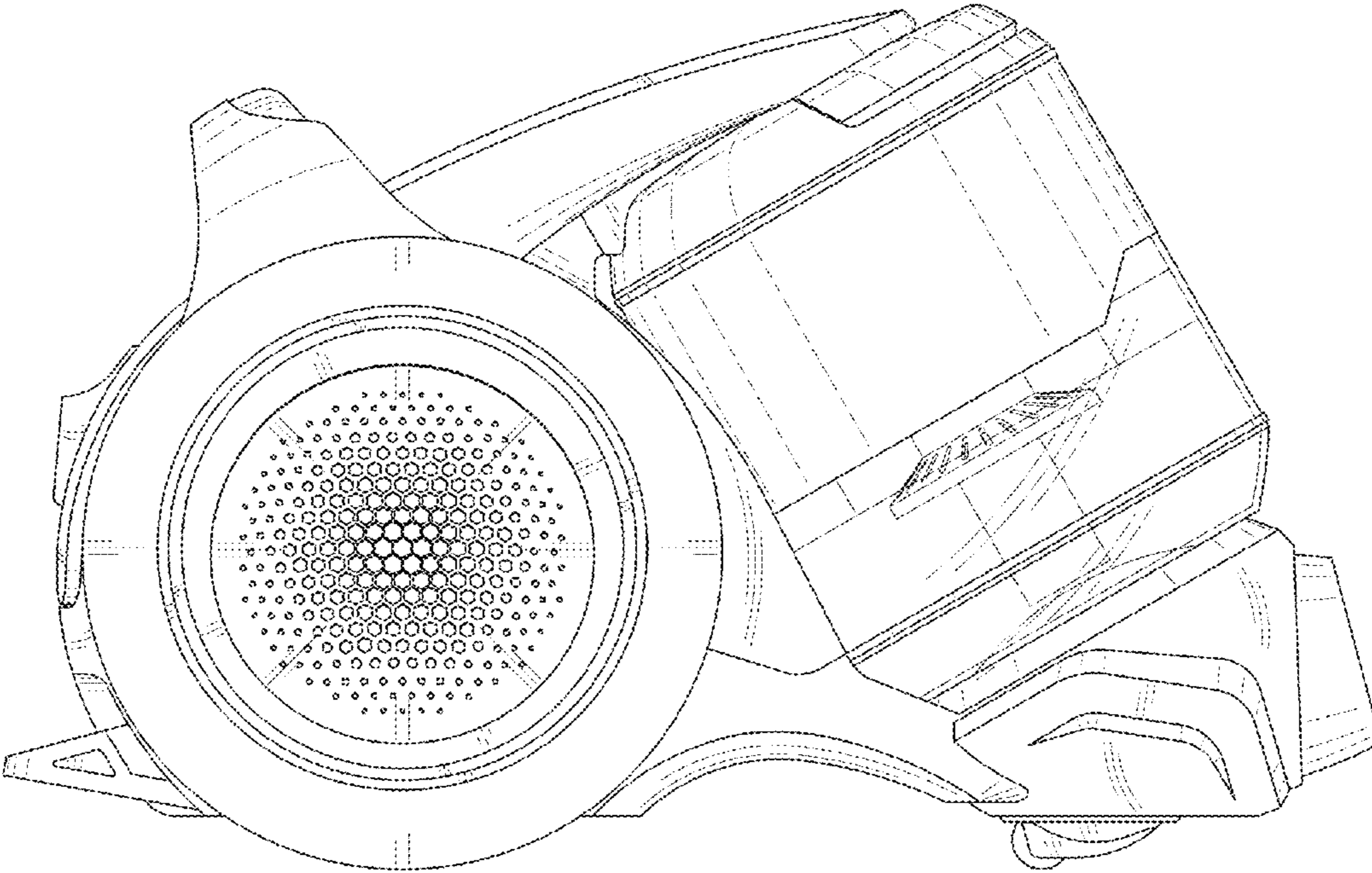


FIG. 5

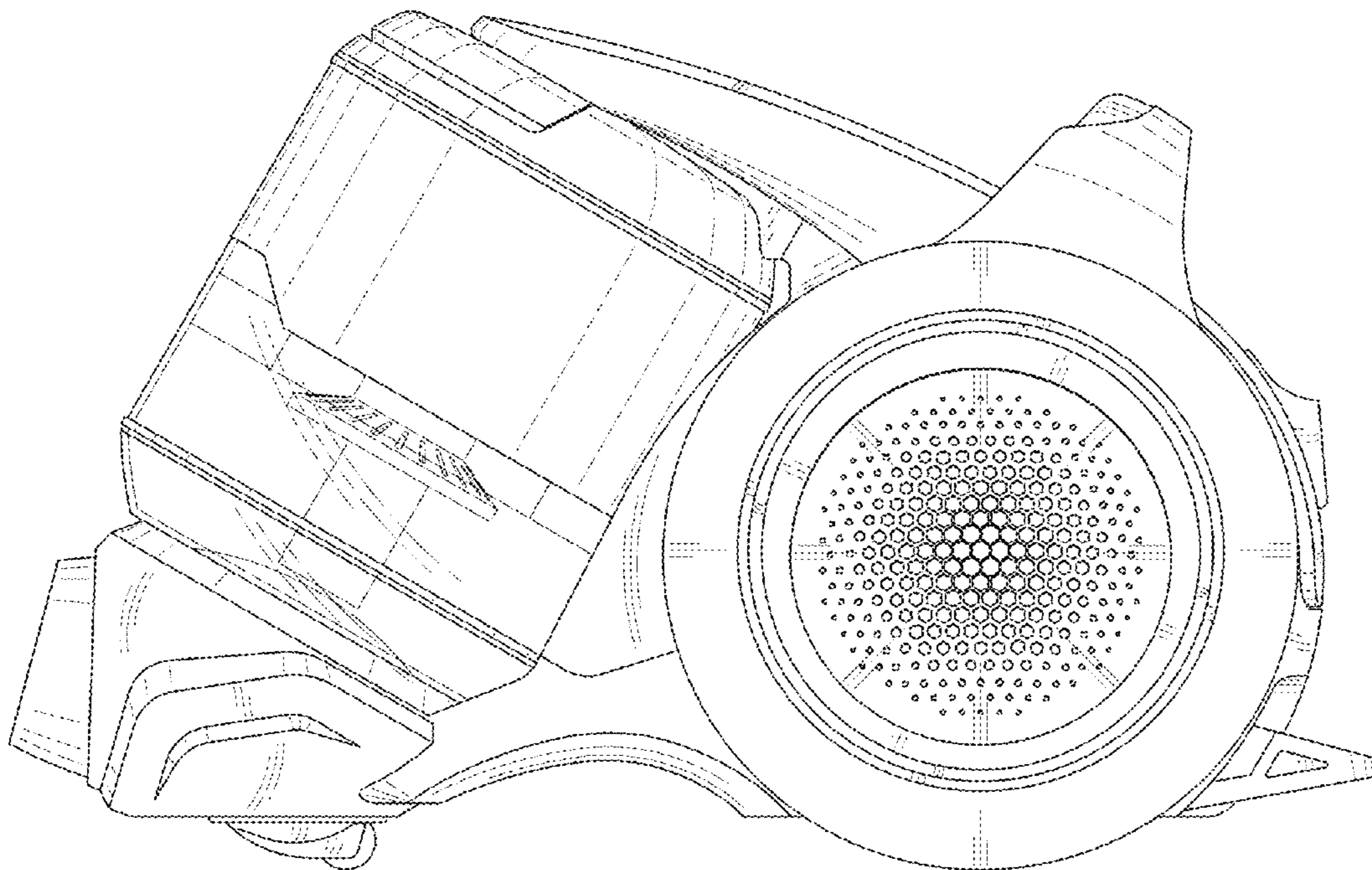


FIG. 6

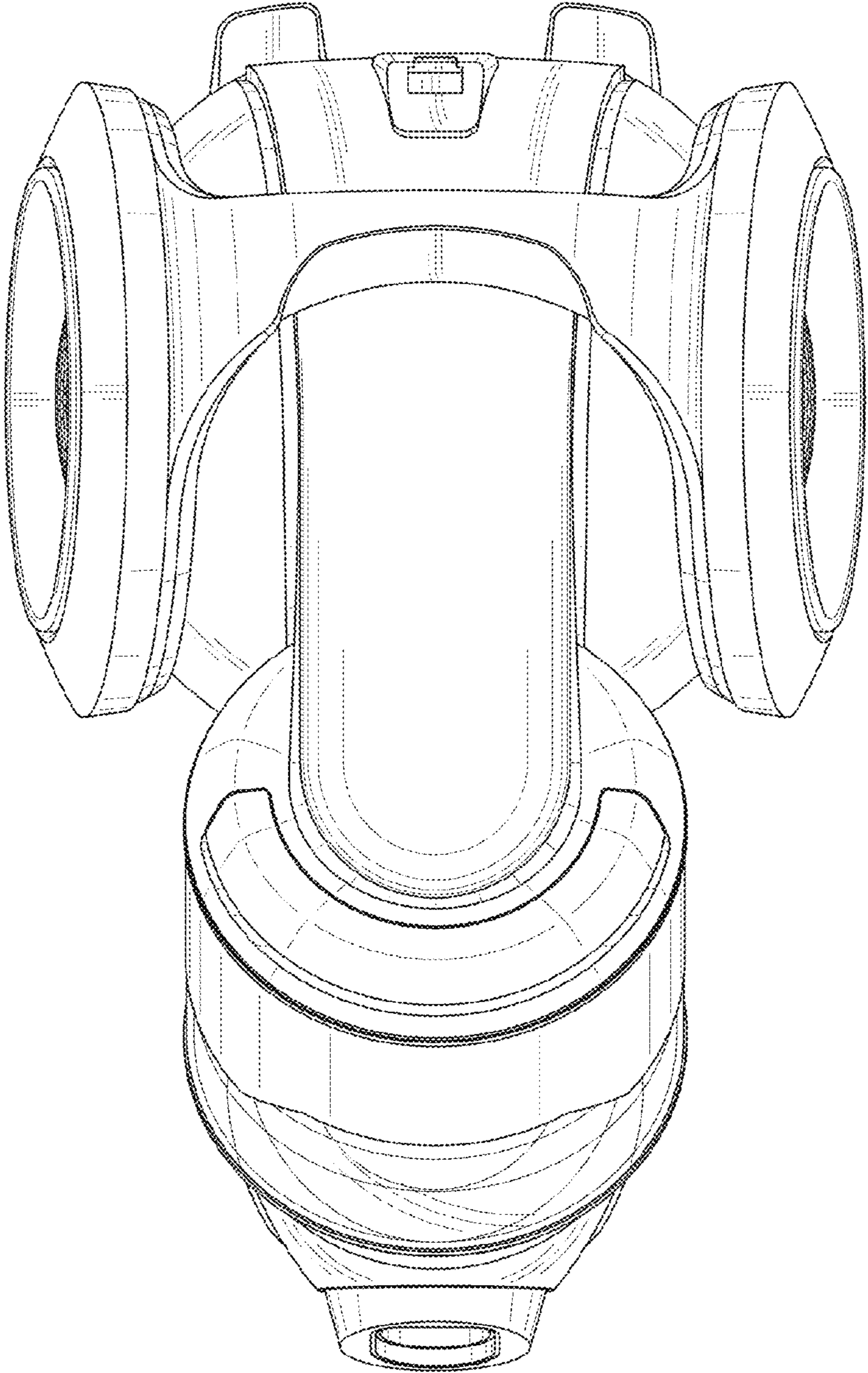


FIG. 7

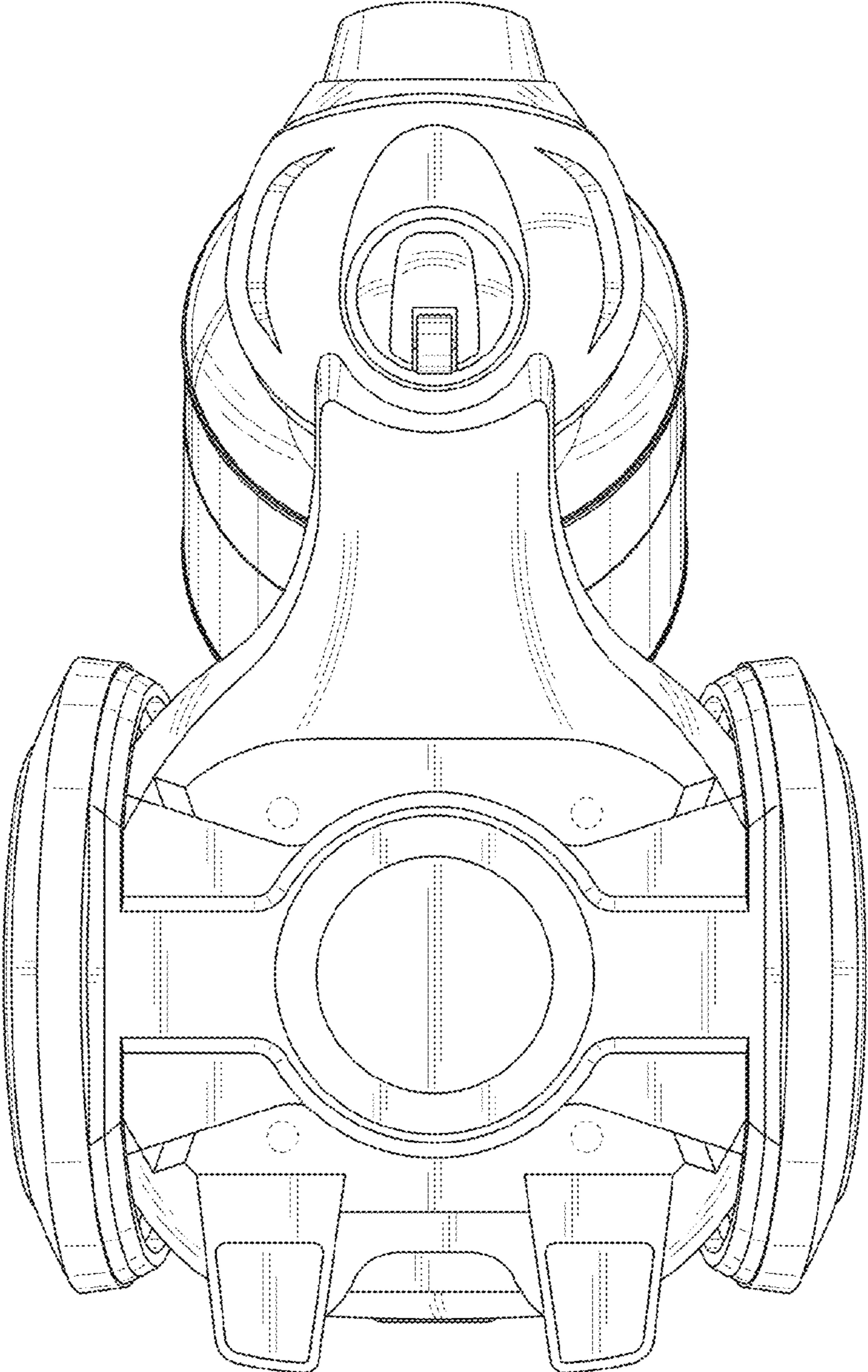




FIG. 8

