



US00D714000S

(12) **United States Design Patent**
Konovalov

(10) **Patent No.:** **US D714,000 S**

(45) **Date of Patent:** **** Sep. 23, 2014**

(54) **CANINE CALMING COLLAR ATTACHMENT**

(71) Applicant: **Deonisy Konovalov**, Molalla, OR (US)

(72) Inventor: **Deonisy Konovalov**, Molalla, OR (US)

(**) Term: **14 Years**

(21) Appl. No.: **29/467,318**

(22) Filed: **Sep. 18, 2013**

(51) **LOC (10) Cl.** **30-99**

(52) **U.S. Cl.**
USPC **D30/199**

(58) **Field of Classification Search**
CPC A41K 15/021; A41K 27/009; G08B
21/0202; G08B 21/0208; G10G 7/02
USPC D30/144, 151, 152, 155, 199; 119/712,
119/718, 719, 720, 721, 856, 859, 860, 863,
119/57.92; 40/300; 340/573.1, 573.3;
84/409; 24/3.11; 310/25

See application file for complete search history.

(56) **References Cited**

U.S. PATENT DOCUMENTS

1,166,317	A *	12/1915	Berry	84/409
2,994,941	A *	8/1961	Reck	84/409
3,085,168	A *	4/1963	Jones et al.	310/25
3,137,271	A *	6/1964	Etter	119/719
3,570,457	A *	3/1971	Curtis	119/719
5,474,033	A *	12/1995	Mitchell, Jr.	119/860
5,752,335	A *	5/1998	Shimogori et al.	40/300

6,003,473	A *	12/1999	Printz	119/859
D422,757	S *	4/2000	Levine	D30/155
7,786,875	B2 *	8/2010	Wu	340/573.3
7,877,844	B2 *	2/2011	Nichols et al.	24/3.11
8,371,250	B2 *	2/2013	Konovalov	119/718
2005/0257752	A1 *	11/2005	Langer	119/712
2007/0107673	A1 *	5/2007	Langer et al.	119/859
2007/0200714	A1 *	8/2007	Smith et al.	340/573.1
2010/0095896	A1 *	4/2010	Van Wye	119/57.92
2011/0017150	A1 *	1/2011	Caputo et al.	119/719
2012/0048213	A1 *	3/2012	Konovalov	119/718
2012/0255504	A1 *	10/2012	Kroll	119/719

* cited by examiner

Primary Examiner — Martie K Holtje

(74) *Attorney, Agent, or Firm* — Mark S. Hubert

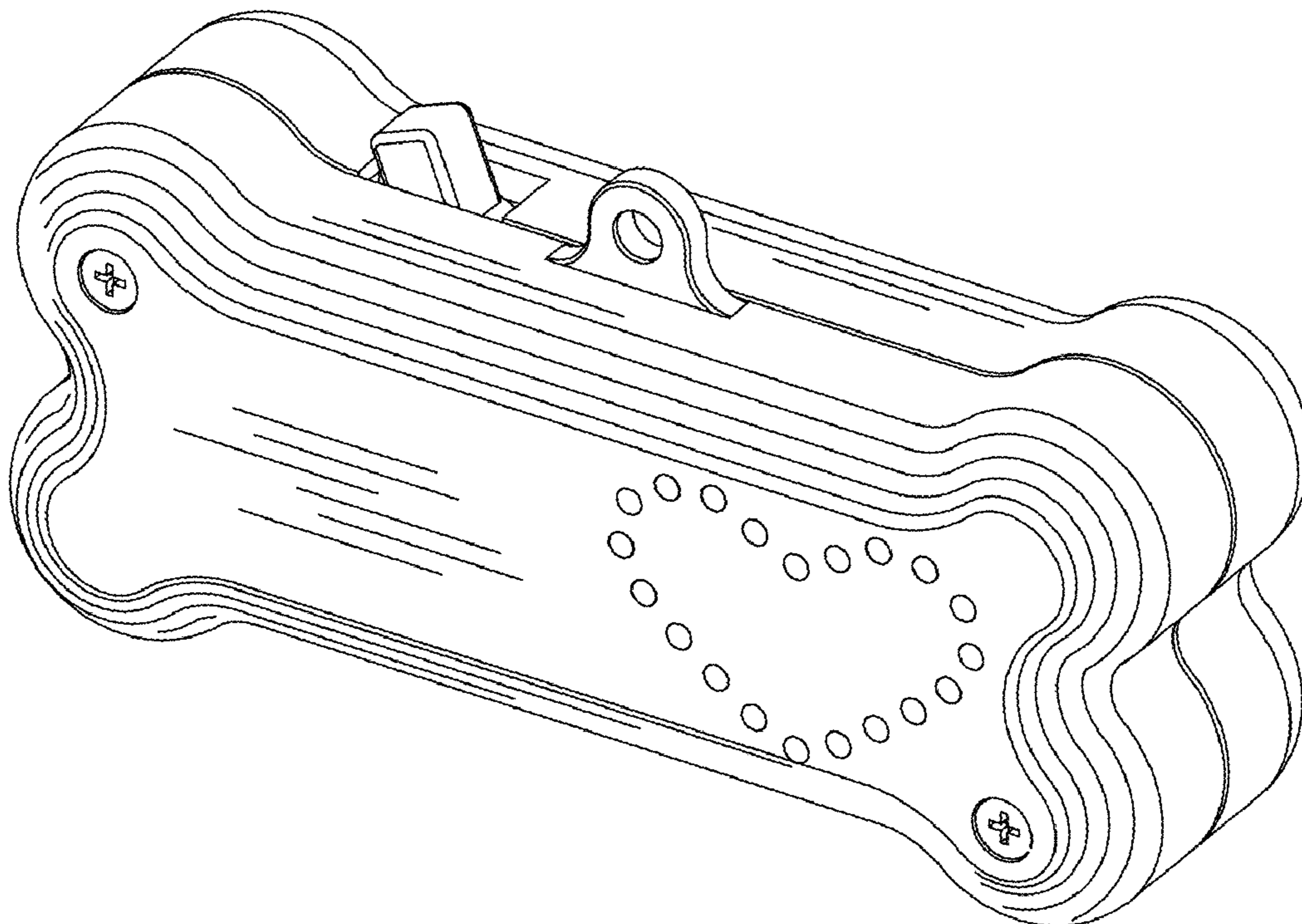
(57) **CLAIM**

The ornamental design for a canine calming collar attachment, as shown and described.

DESCRIPTION

FIG. 1 is a perspective view of a canine calming collar attachment showing my new design;
FIG. 2 is a top plan view thereof;
FIG. 3 is a front elevational view thereof;
FIG. 4 is a left side elevational view thereof;
FIG. 5 is a right side elevational view thereof;
FIG. 6 is a rear elevational view thereof; and,
FIG. 7 is a bottom plan view thereof.

1 Claim, 4 Drawing Sheets



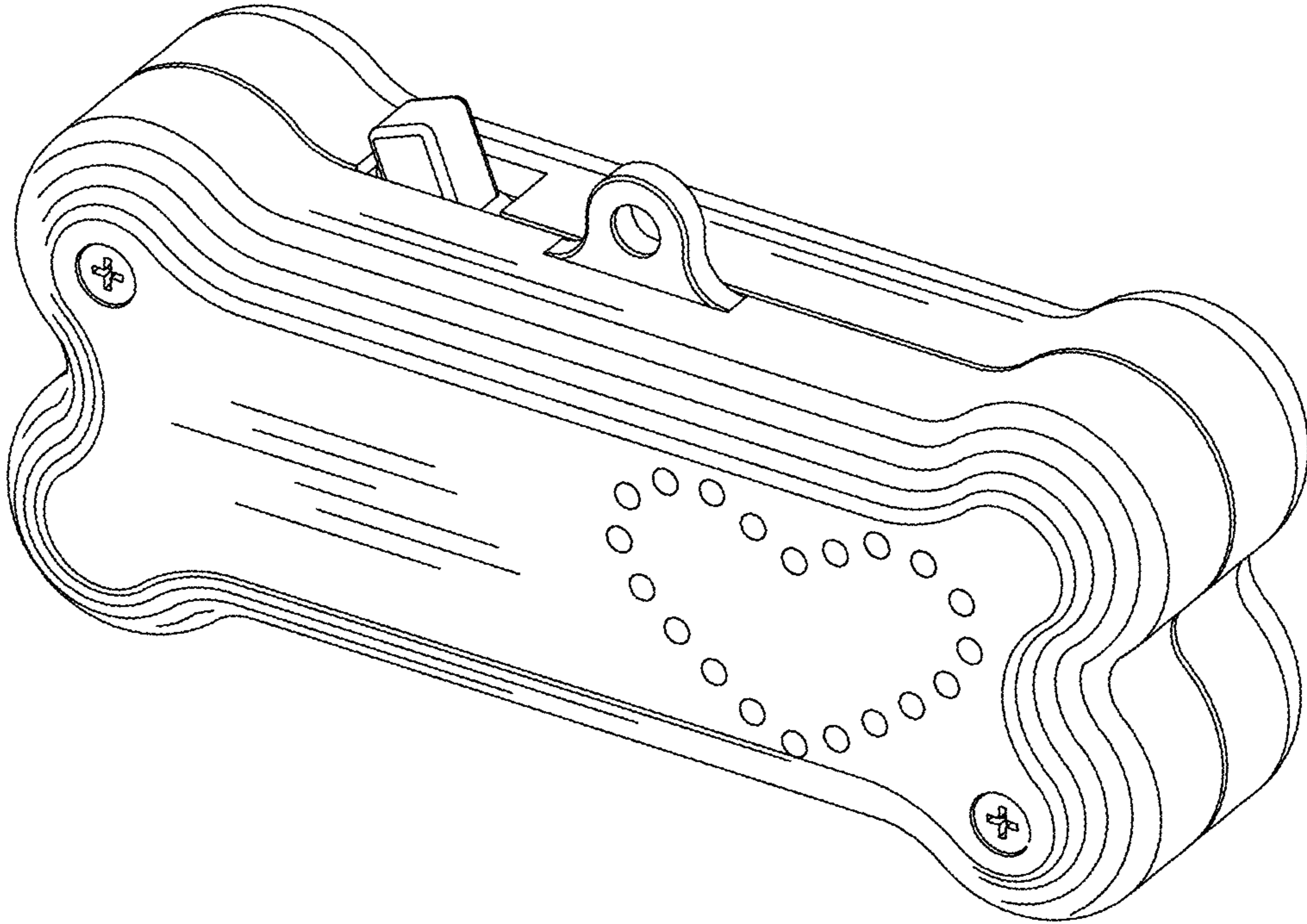


FIG. 1

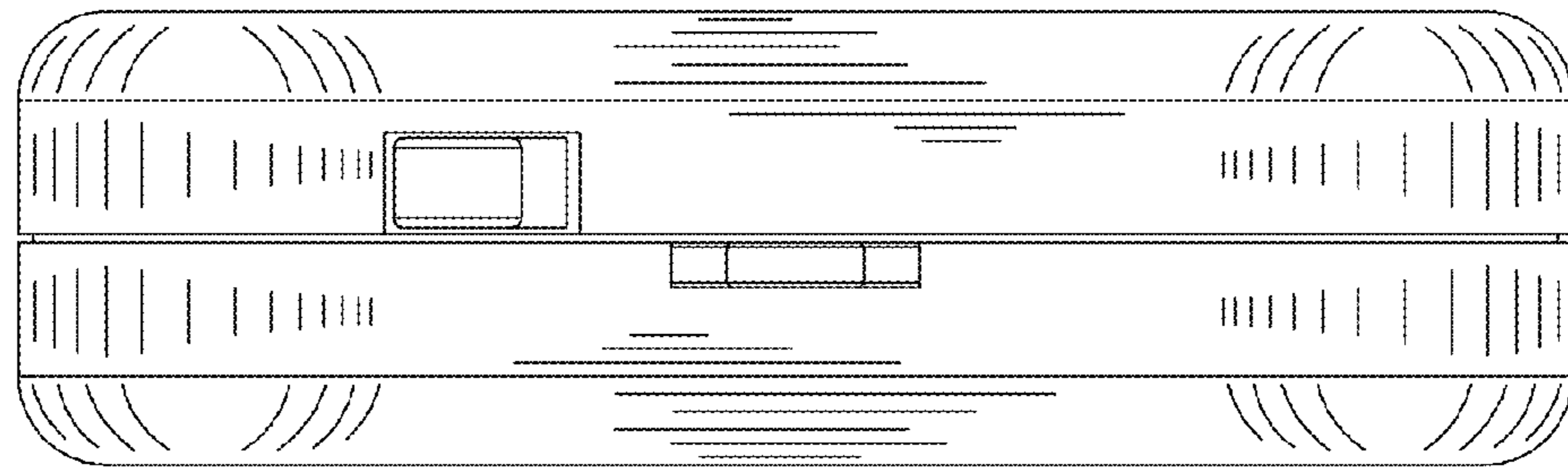


FIG. 2

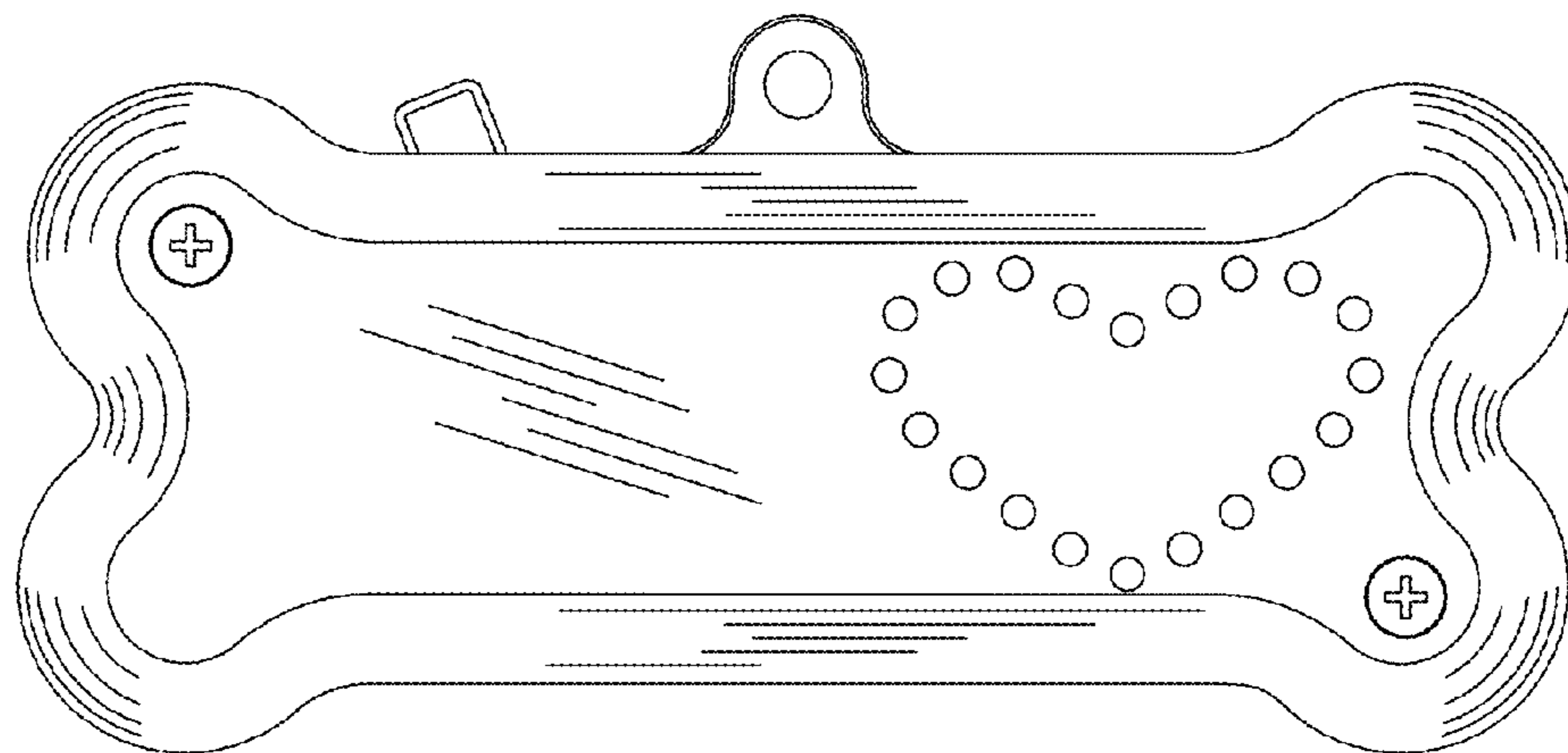


FIG. 3

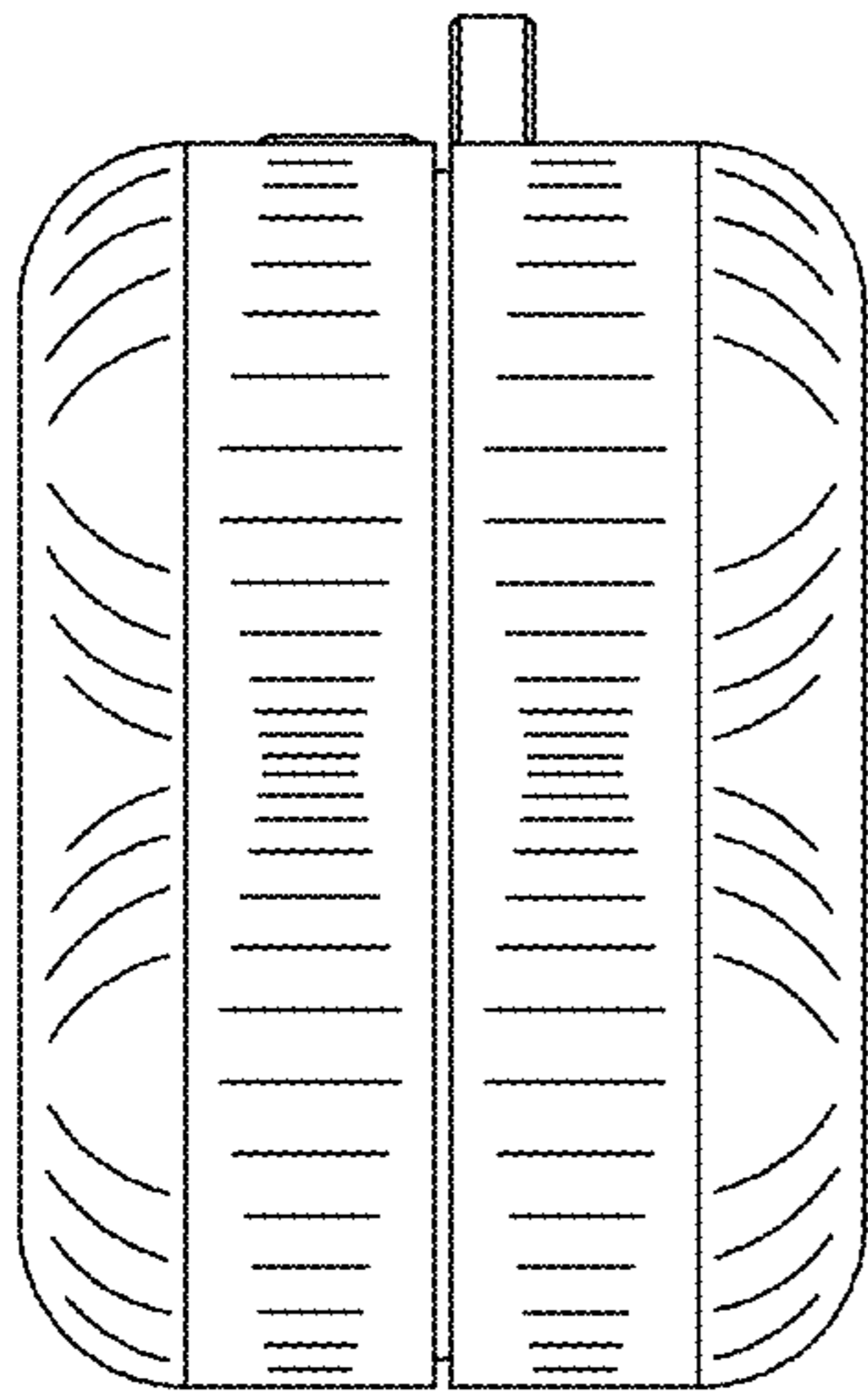


FIG. 4

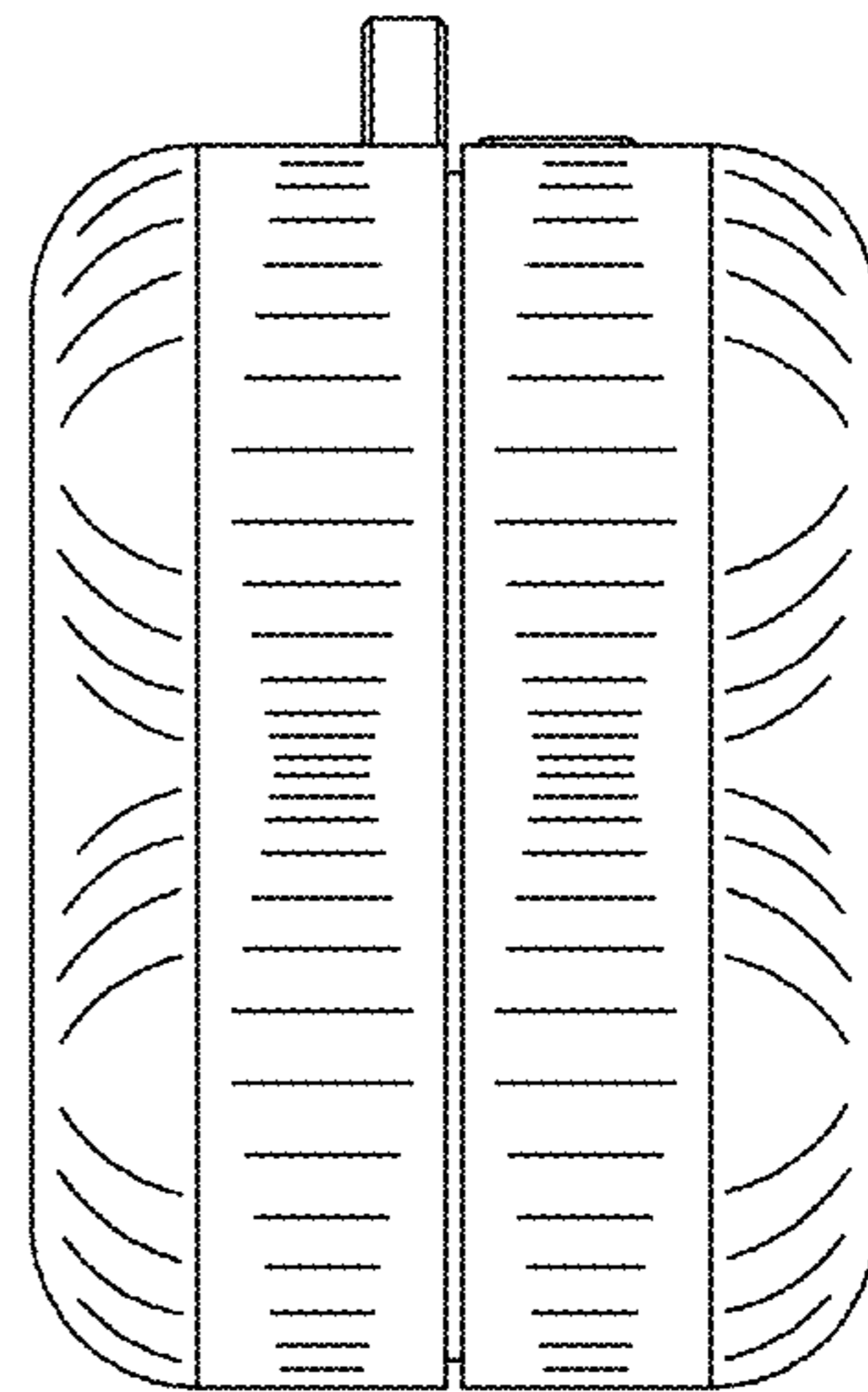


FIG. 5

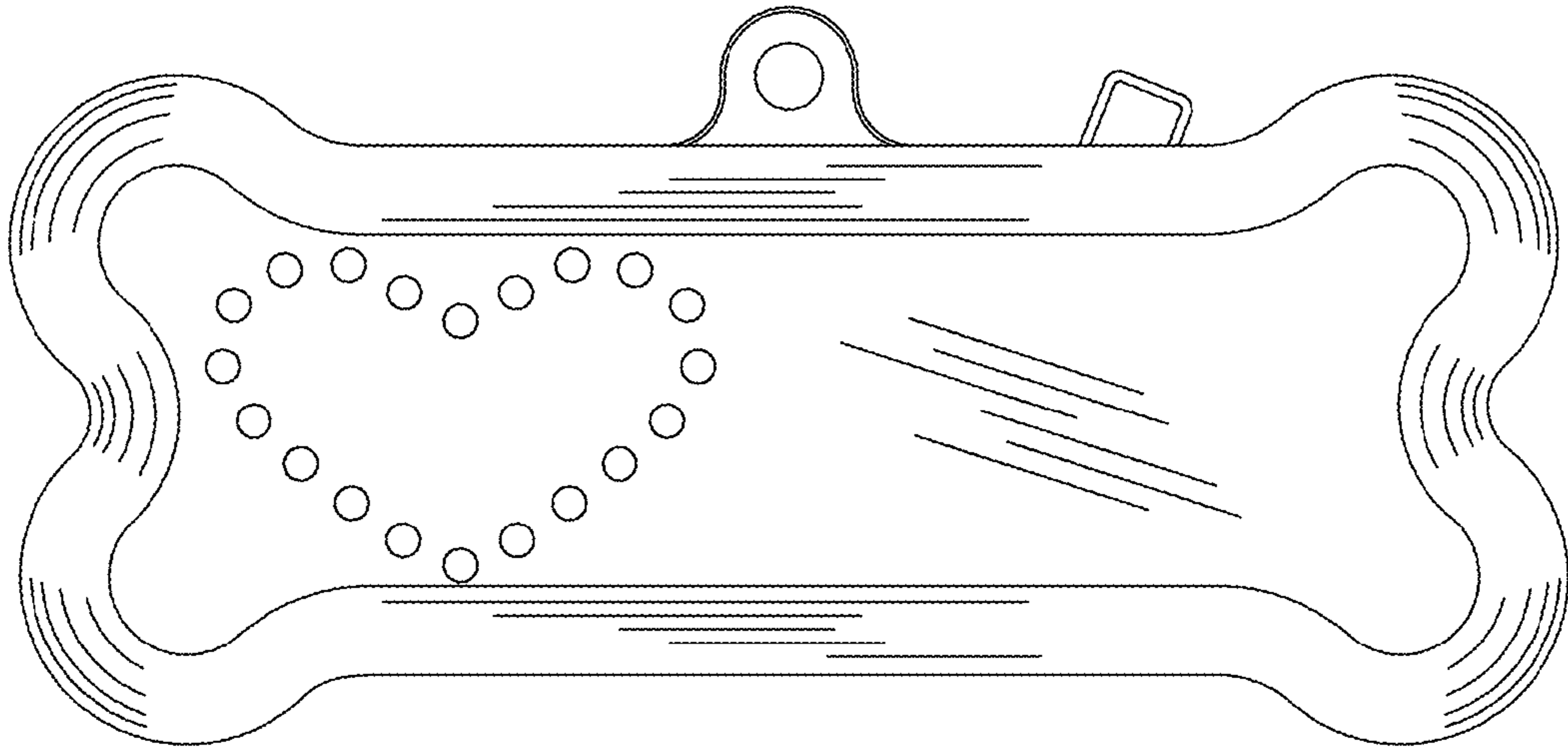


FIG. 6

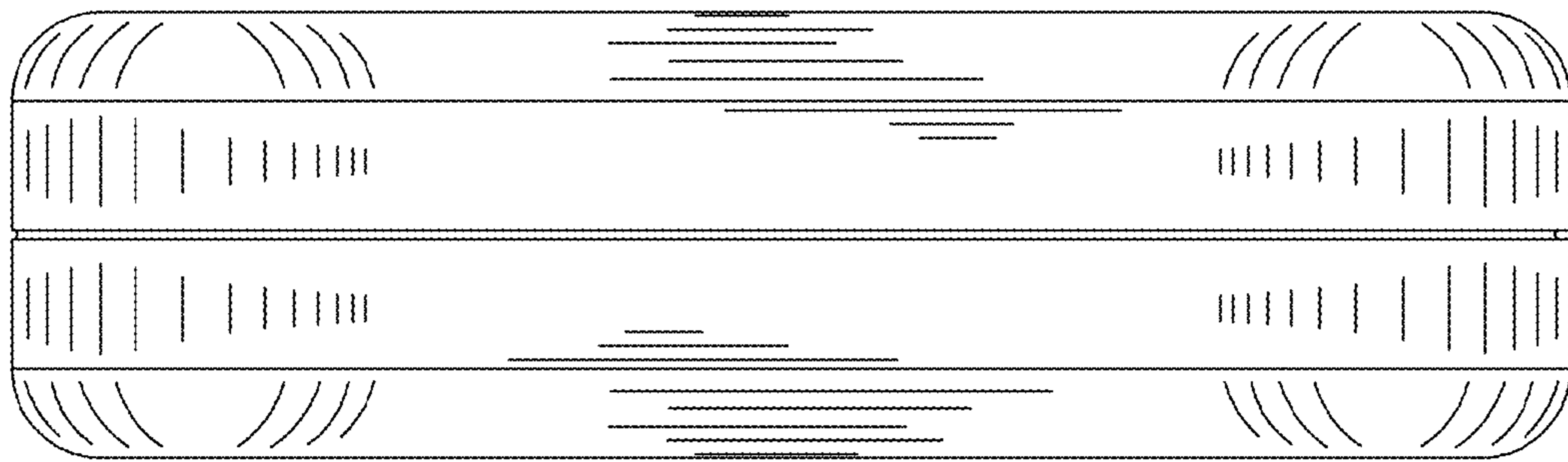


FIG. 7