



US00D713995S

(12) **United States Design Patent**
Felder

(10) **Patent No.:** **US D713,995 S**

(45) **Date of Patent:** **** Sep. 23, 2014**

(54) **HAIR ACCESSORY ORGANIZER**

(76) Inventor: **Marcia L. Felder**, Columbus, OH (US)

(**) Term: **14 Years**

(21) Appl. No.: **29/431,117**

(22) Filed: **Sep. 4, 2012**

(51) **LOC (10) Cl.** **28-03**

(52) **U.S. Cl.**
USPC **D28/75; D28/73; D3/295**

(58) **Field of Classification Search**
USPC D3/284, 287, 295, 901, 903; D28/38,
D28/73-75; 206/823, 581; 132/286-318
See application file for complete search history.

(56) **References Cited**

U.S. PATENT DOCUMENTS

1,752,948	A *	4/1930	Herrmann	206/581
D258,470	S *	3/1981	Chun	D3/296
5,303,855	A	4/1994	Veale		
D347,939	S	6/1994	Volkman		
5,941,255	A *	8/1999	Chen	132/315
D485,067	S *	1/2004	Wolf	D3/295
6,820,755	B1	11/2004	Ranjit		
7,028,853	B1	4/2006	Simms		
7,828,254	B2	11/2010	Stephens-De Alanis		
D656,678	S *	3/2012	Lai	D28/83
D657,915	S *	4/2012	Lai	D28/83
D688,006	S *	8/2013	Lai	D28/73
D692,183	S *	10/2013	Lai	D28/73
2005/0194334	A1	9/2005	Johnson		

2005/0218090 A1 10/2005 Sapanek

* cited by examiner

Primary Examiner — Jennifer Rivard

(74) *Attorney, Agent, or Firm* — Robert C. Montgomery;
Montgomery Patent & Design

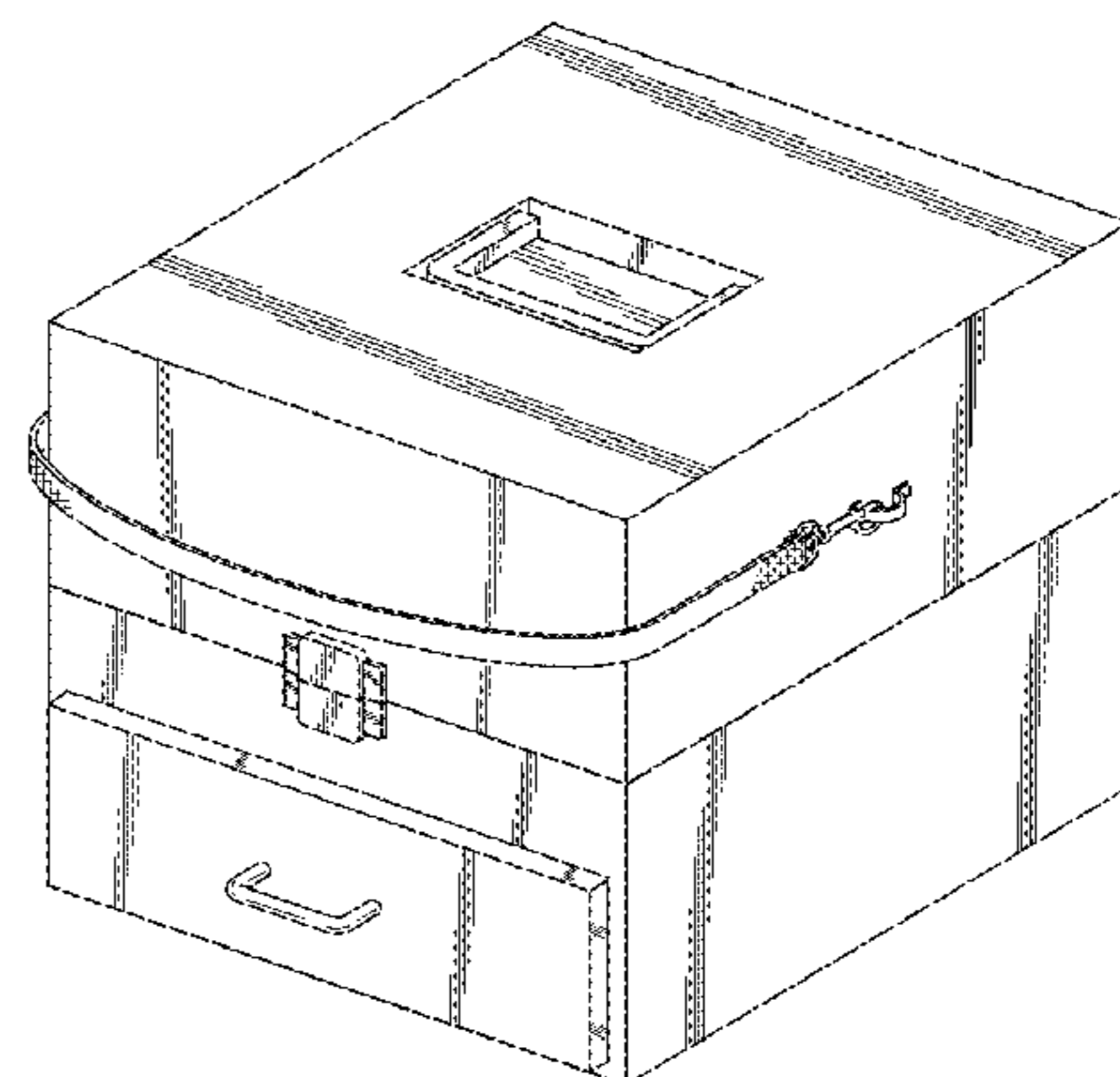
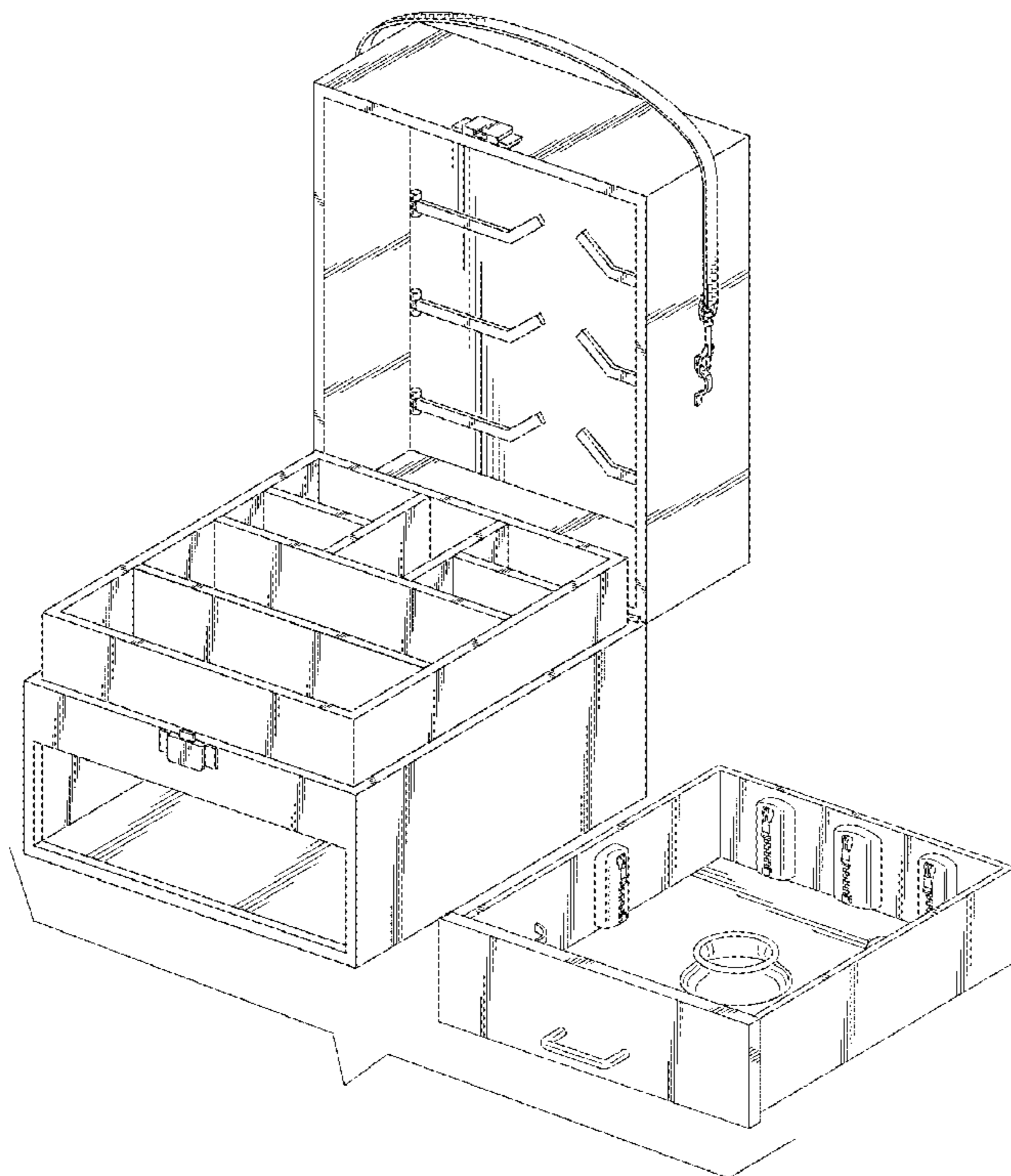
(57) **CLAIM**

The ornamental design for a hair accessory organizer, as shown and described.

DESCRIPTION

FIG. 1 is an exploded front perspective view of a hair accessory organizer depicted in an open configuration with a drawer removed, showing my new design;
 FIG. 2 is an exploded rear perspective view of the hair accessory organizer of FIG. 1;
 FIG. 3 is an exploded front view of the hair accessory organizer of FIG. 1;
 FIG. 4 is an exploded rear view of the hair accessory organizer of FIG. 1;
 FIG. 5 is an exploded left side view of the hair accessory organizer of FIG. 1;
 FIG. 6 is an exploded right side view of the hair accessory organizer of FIG. 1;
 FIG. 7 is an exploded top view of the hair accessory organizer of FIG. 1;
 FIG. 8 is an exploded bottom view of the hair accessory organizer of FIG. 1; and,
 FIG. 9 is a perspective front view of the hair accessory organizer depicted in a closed configuration.

1 Claim, 9 Drawing Sheets



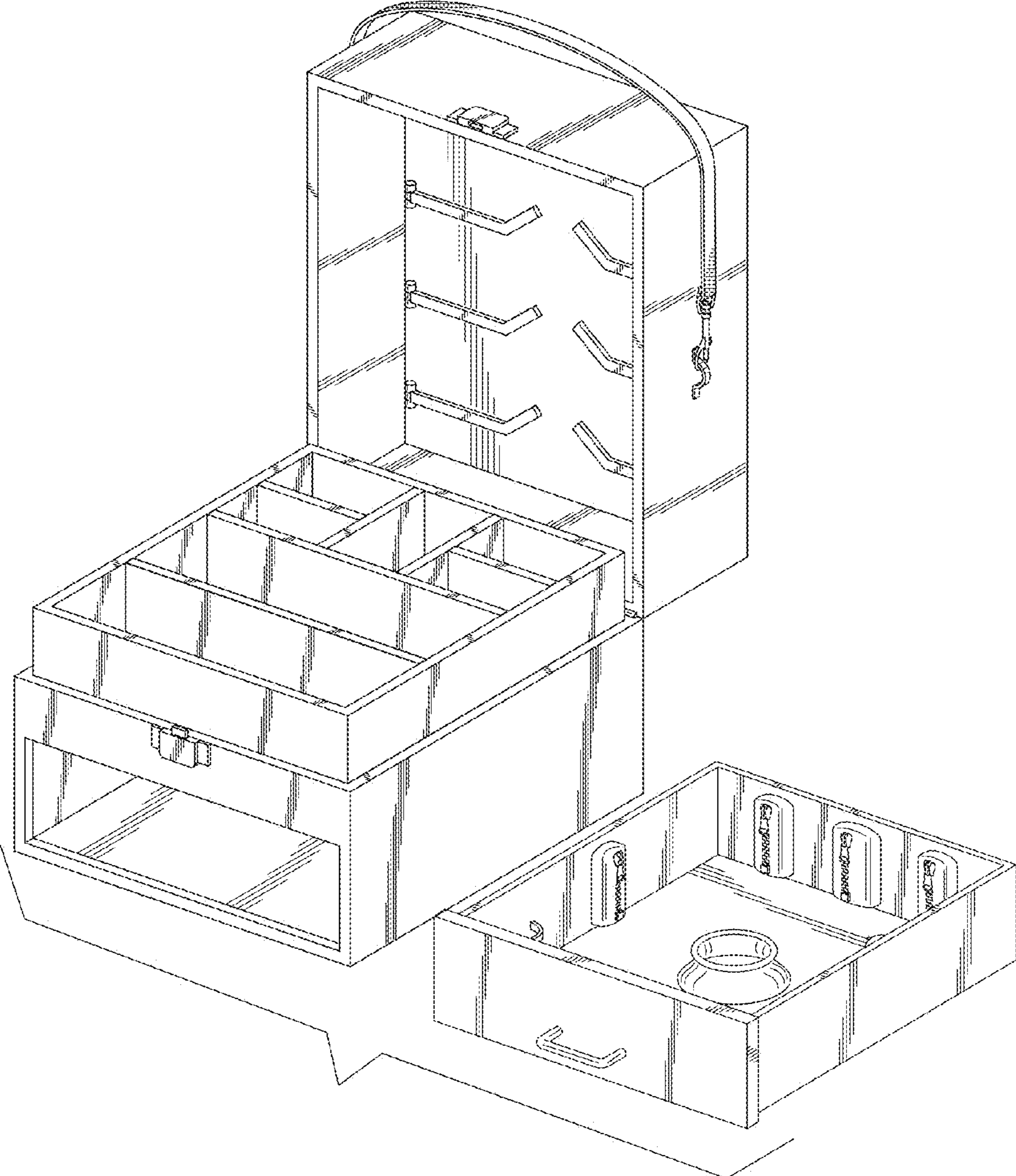


Fig. 1

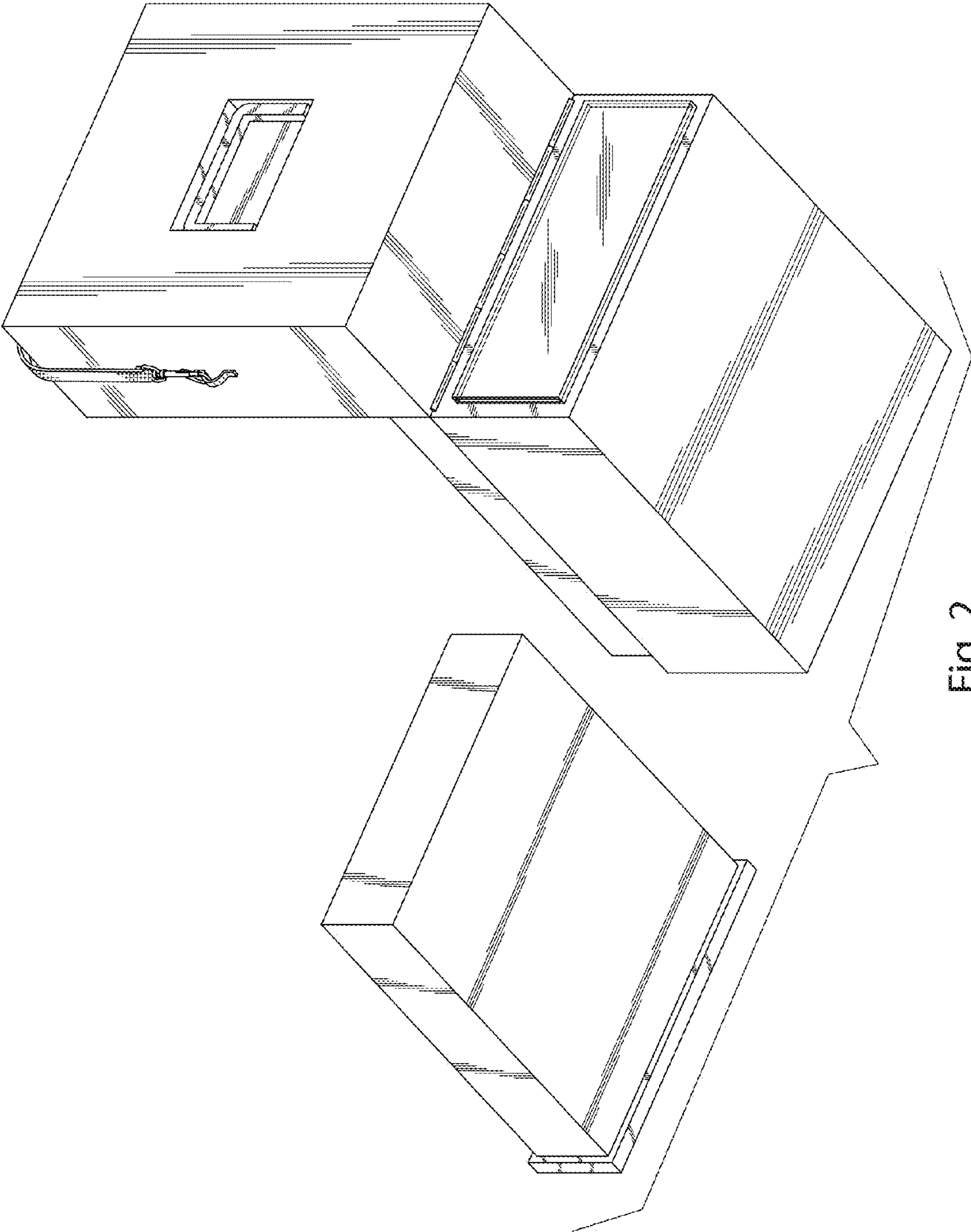


Fig. 2

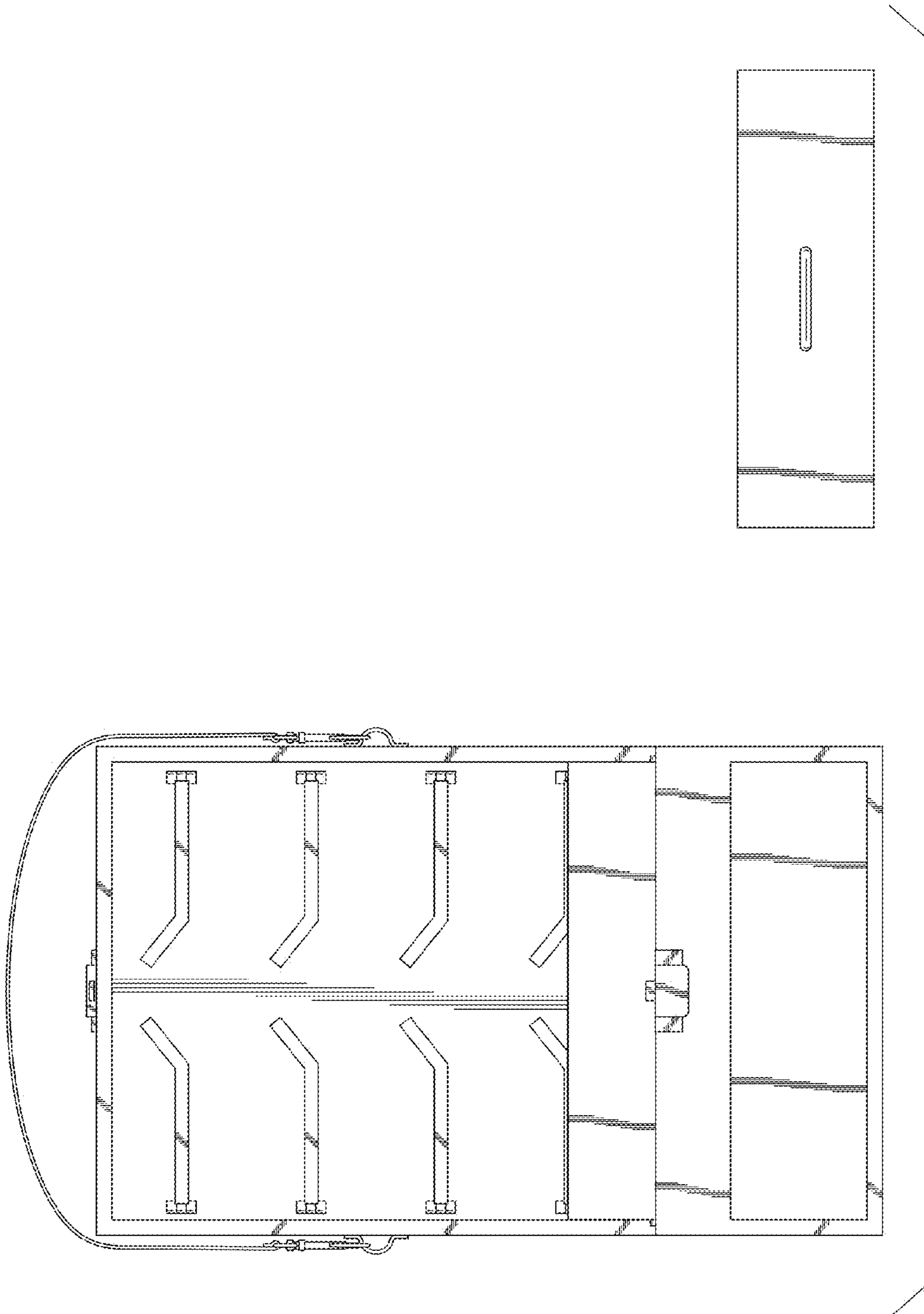


Fig. 3

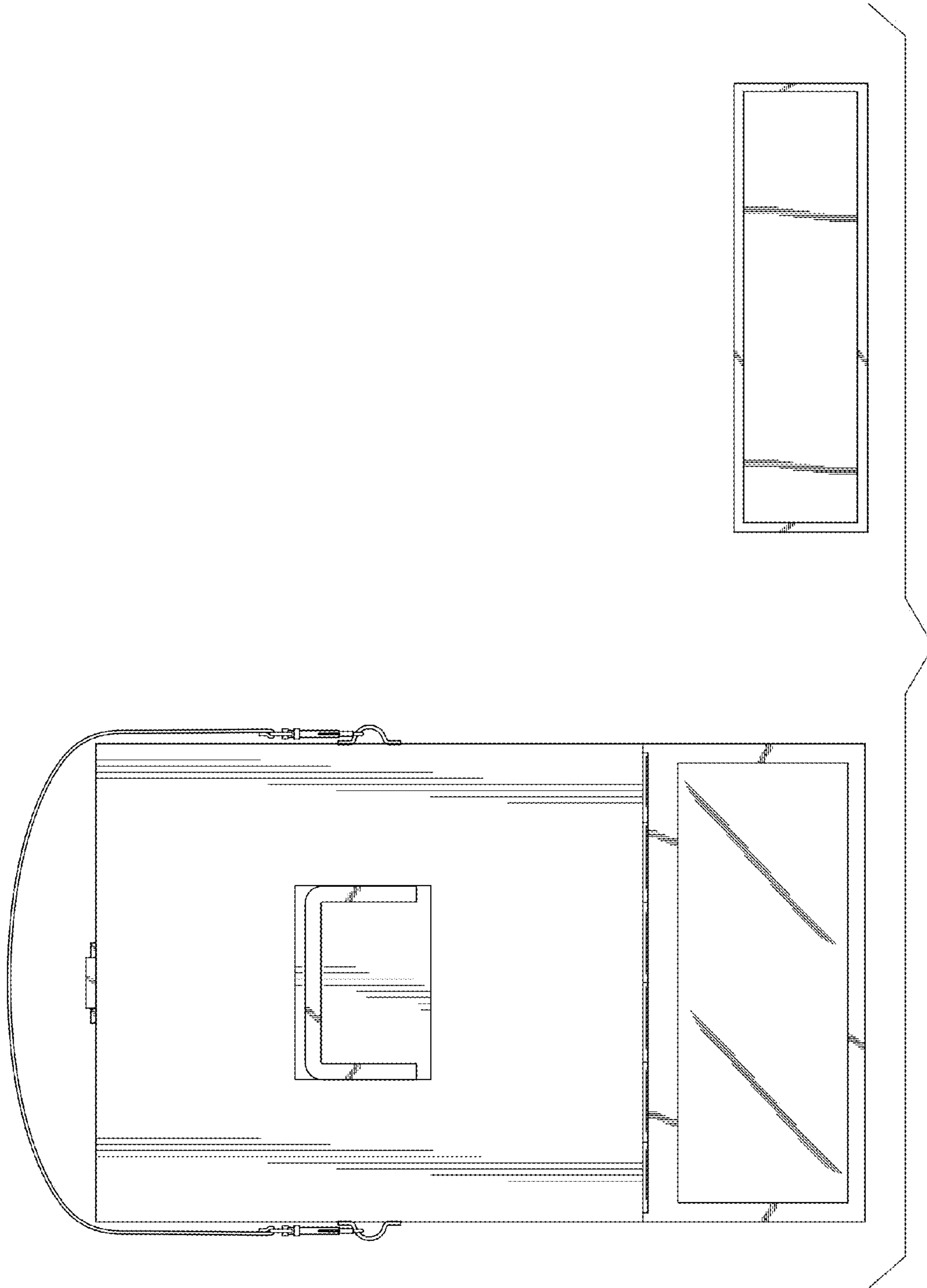
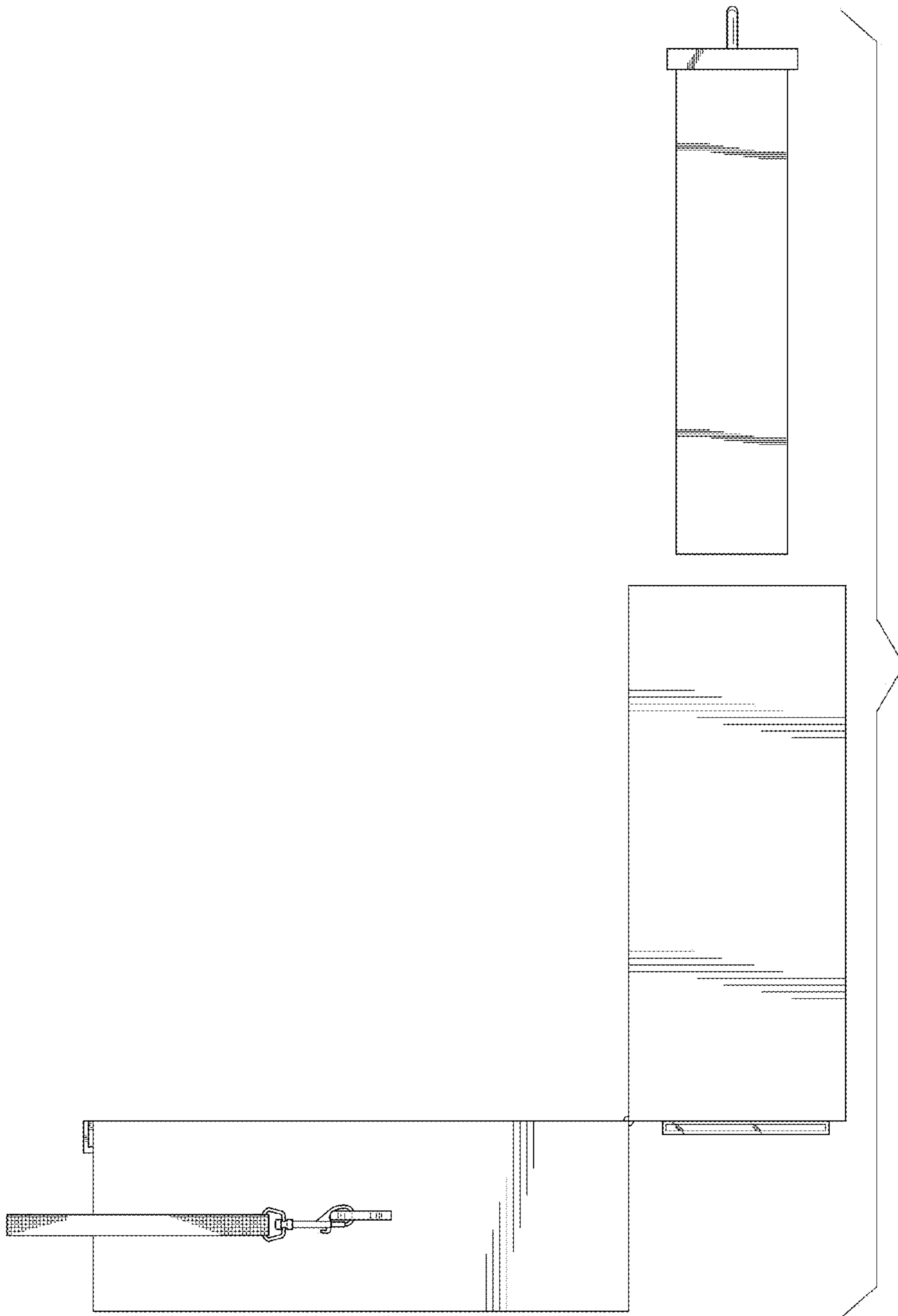


Fig. 4



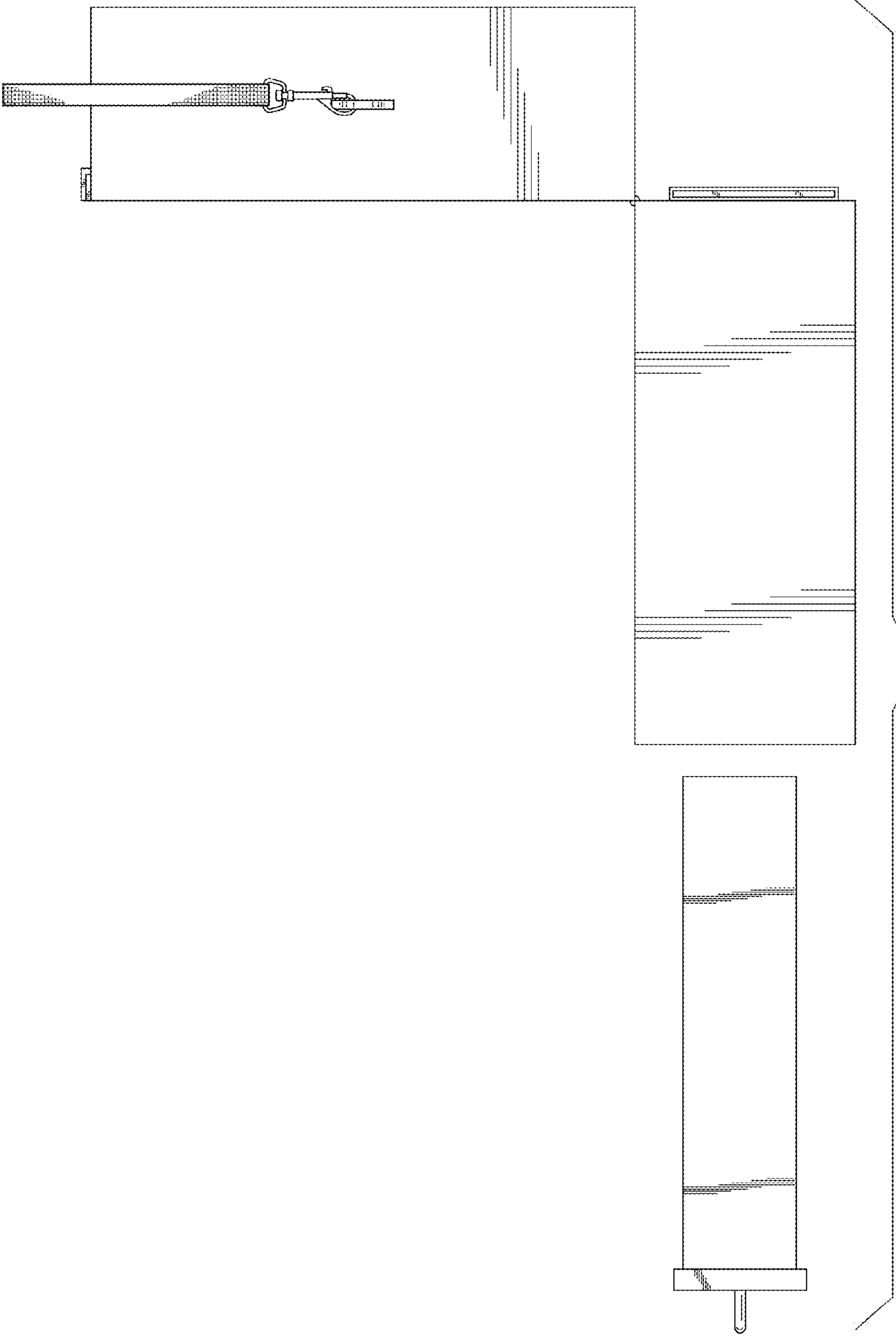


Fig. 6

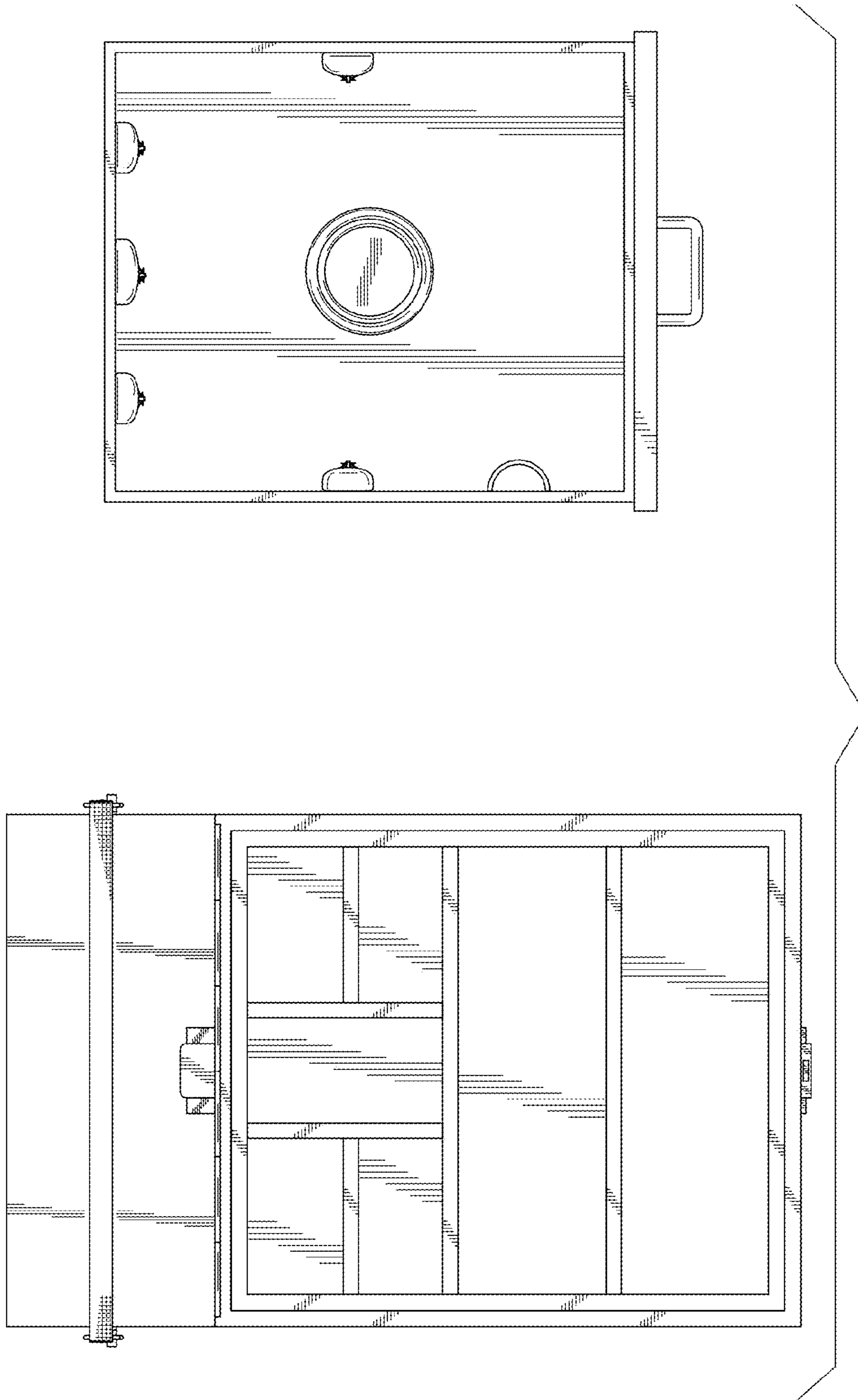


Fig. 7

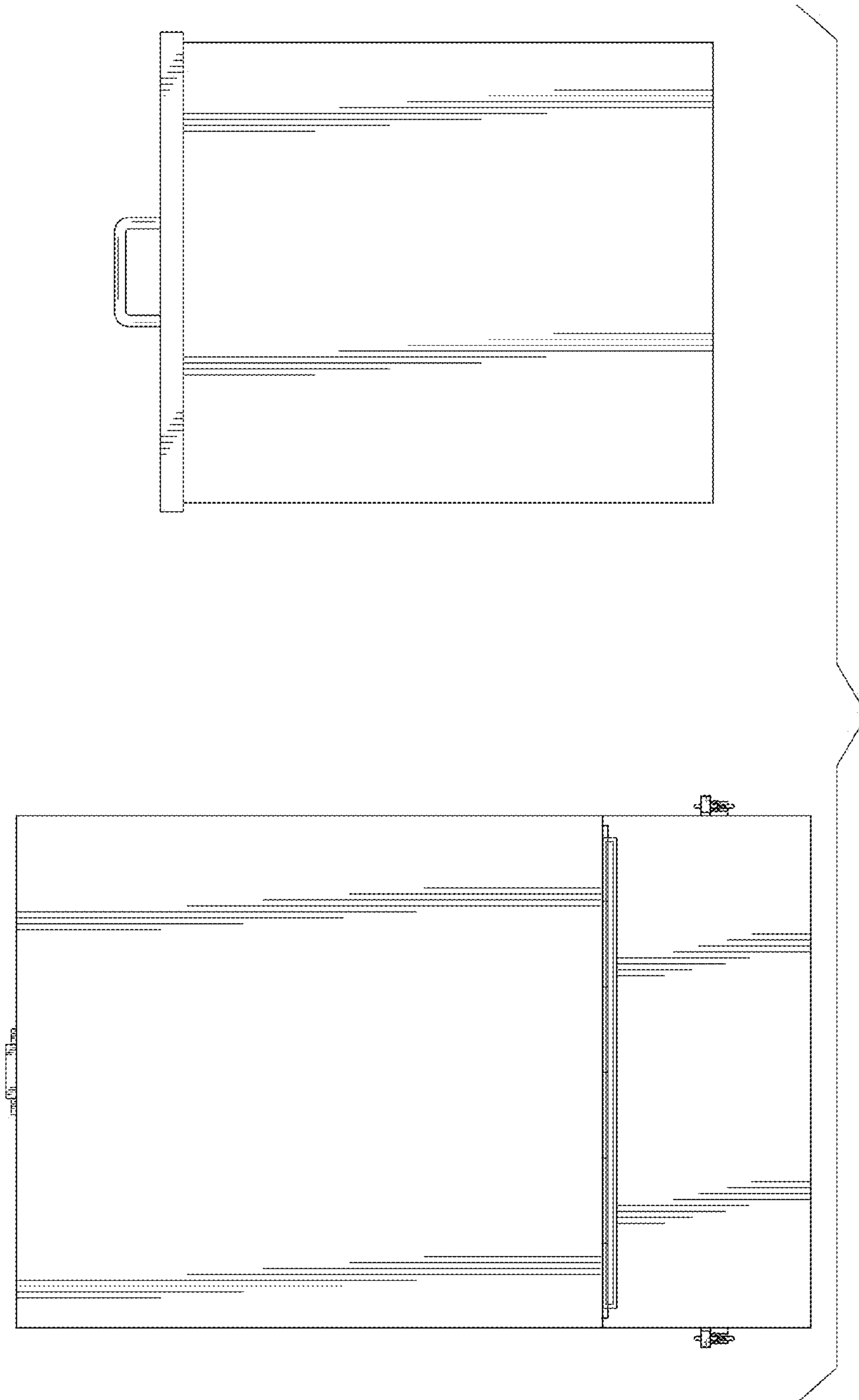


Fig. 8

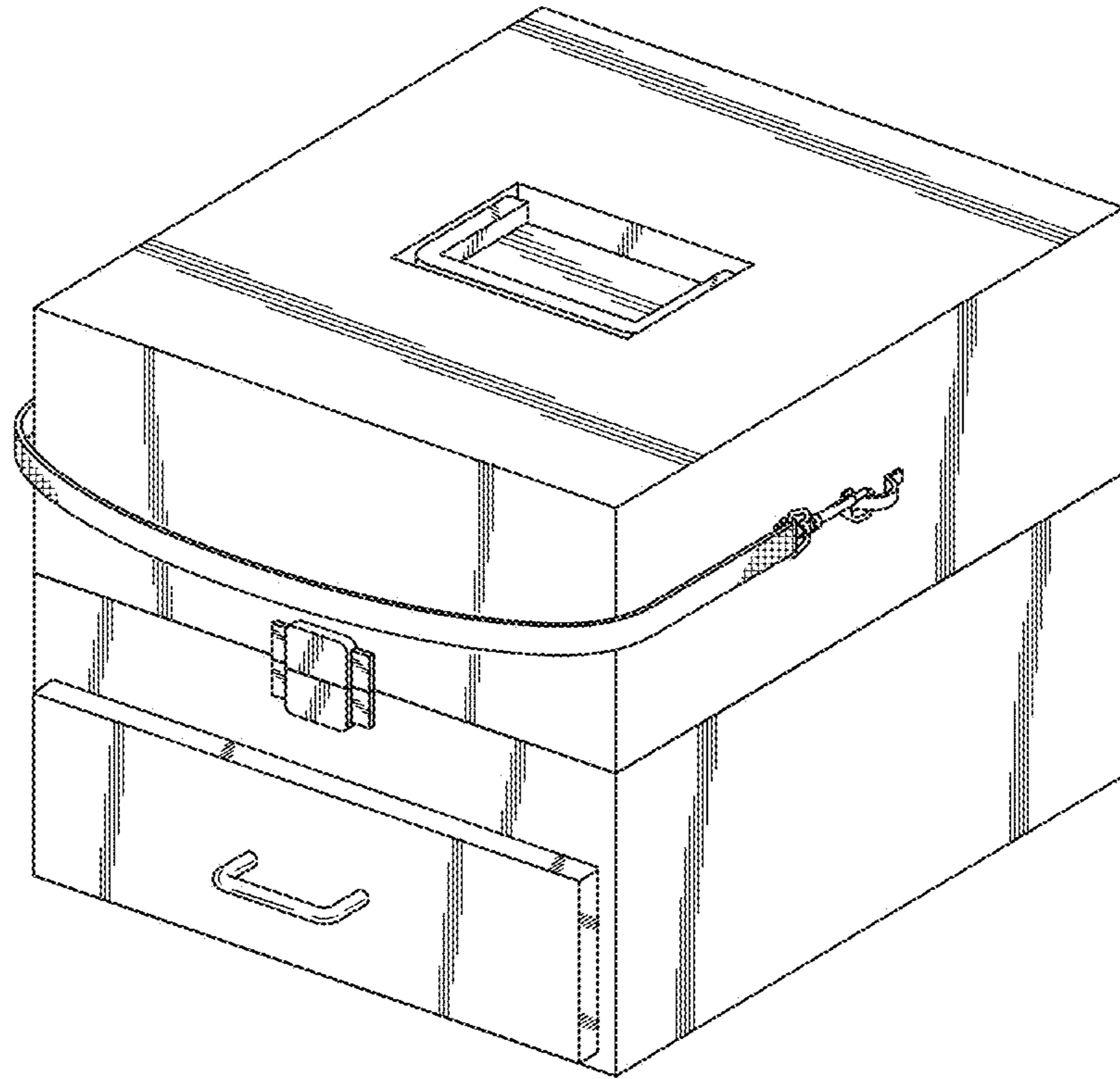


Fig. 9