



US00D713994S

(12) **United States Design Patent**
Grabes et al.

(10) **Patent No.:** **US D713,994 S**

(45) **Date of Patent:** **** *Sep. 23, 2014**

(54) **SHAVER HEAD**

(56) **References Cited**

(71) Applicant: **Braun GmbH**, Kronberg (DE)

U.S. PATENT DOCUMENTS

(72) Inventors: **Oliver Grabes**, Frankfurt (DE); **Bjorn Kling**, Glashutten (DE); **Rory McGarry**, Frankfurt (DE); **Markus Orthey**, Eltville (DE); **Gregor Ptok**, Frankfurt (DE); **Fritz Schubert**, Bad Camberg (DE); **Bernhard Sikora**, Kelkheim (DE); **Renke Joris Thye**, Westerstede (DE); **Phong Duy Vu**, Schwalbach (DE); **Benjamin John Wilson**, Frankfurt (DE)

D549,875 S *	8/2007	Akahori et al.	D28/51
D648,895 S *	11/2011	Ino	D28/49
D677,836 S *	3/2013	Grabes et al.	D28/51
D680,271 S *	4/2013	Grabes et al.	D28/51
D689,242 S *	9/2013	Grabes et al.	D28/54

* cited by examiner

Primary Examiner — Jennifer Rivard

(74) *Attorney, Agent, or Firm* — Jay A. Krebs

(57) **CLAIM**

The ornamental design for a shaver head, as shown and described.

(73) Assignee: **Braum GmbH**, Boston, MA (US)

DESCRIPTION

(*) Notice: This patent is subject to a terminal disclaimer.

The patent or application file contains at least one drawing executed in color. Copies of this patent or patent application publication with color drawings will be provided by the Office upon request and payment of the necessary fee.

(**) Term: **14 Years**

FIG. 1 is a perspective view of the first embodiment of a shaver head;

(21) Appl. No.: **29/450,594**

FIG. 2 is a front view thereof;

(22) Filed: **Mar. 20, 2013**

FIG. 3 is a right side view thereof;

(30) **Foreign Application Priority Data**

Sep. 25, 2012 (WO) 693756101

FIG. 4 is a rear view thereof;

(51) **LOC (10) Cl.** **28-03**

FIG. 5 is a left side view thereof;

(52) **U.S. Cl.**
USPC **D28/54**

FIG. 6 is a top plan view thereof;

(58) **Field of Classification Search**

USPC D28/44-48, 49-54; 30/34.05, 32, 34.1, 30/34.2, 43-43.92, 526-527, 44-45, 341, 30/195-22, 272.1, 226-227, 231, 30/233-233.5, 537, 539-540

FIG. 7 is a bottom view thereof;

FIG. 8 is a perspective view of the second embodiment of a shaver head;

FIG. 9 is a front view thereof;

FIG. 10 is a right side view thereof;

FIG. 11 is a rear view thereof;

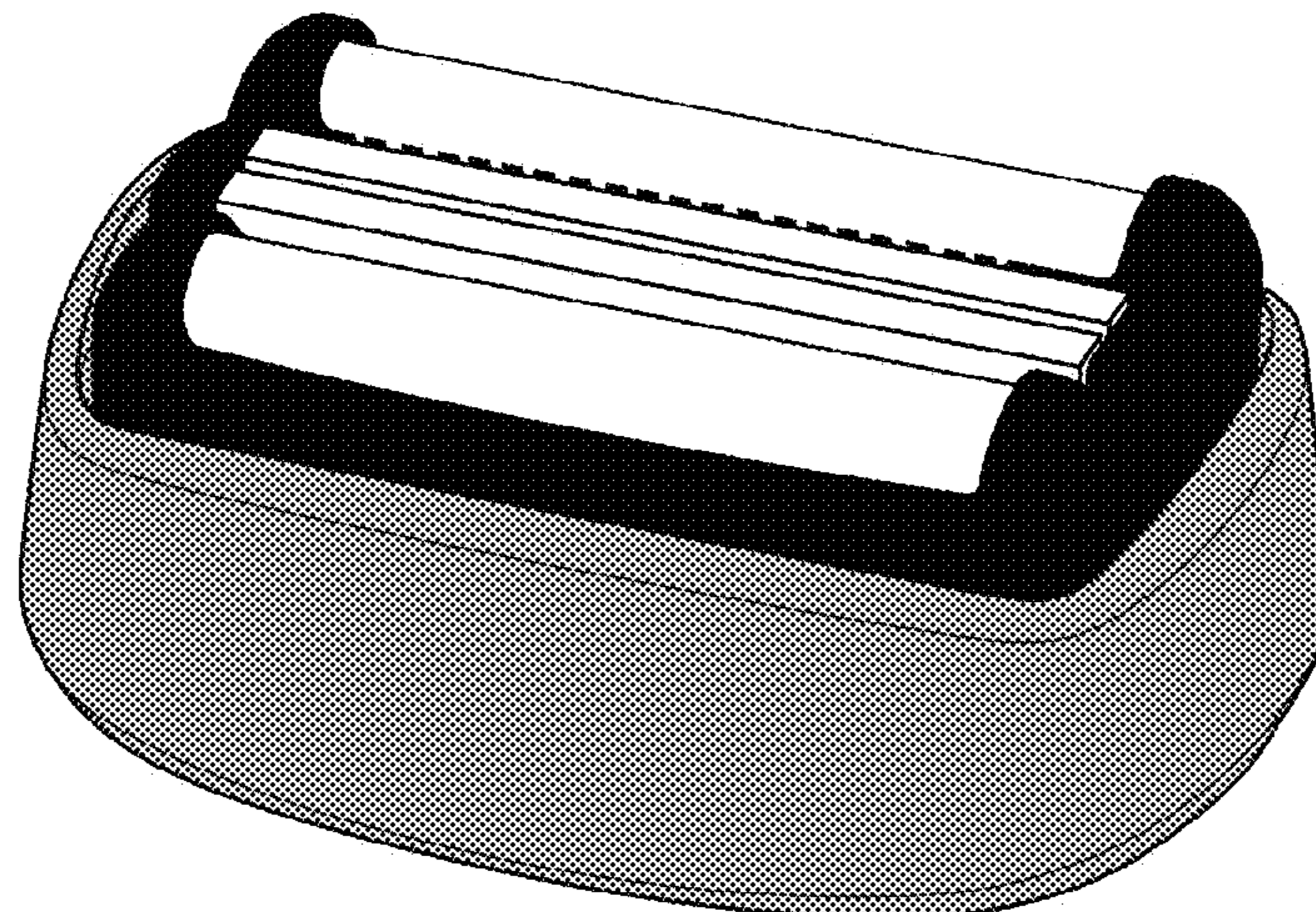
FIG. 12 is a left side view thereof;

FIG. 13 is a top plan view thereof; and,

FIG. 14 is a bottom view thereof.

See application file for complete search history.

1 Claim, 8 Drawing Sheets
(8 of 8 Drawing Sheet(s) Filed in Color)



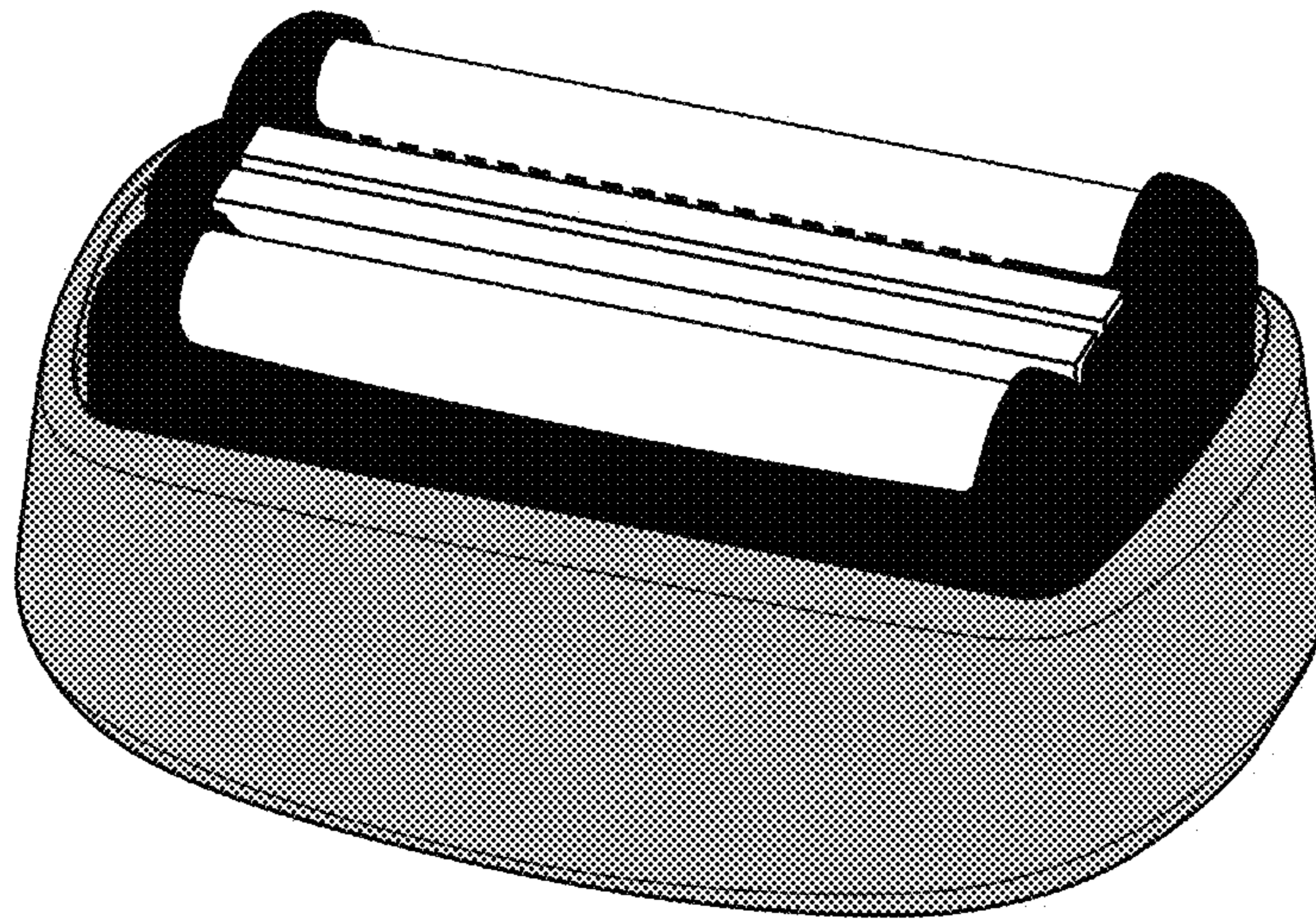


Fig. 1

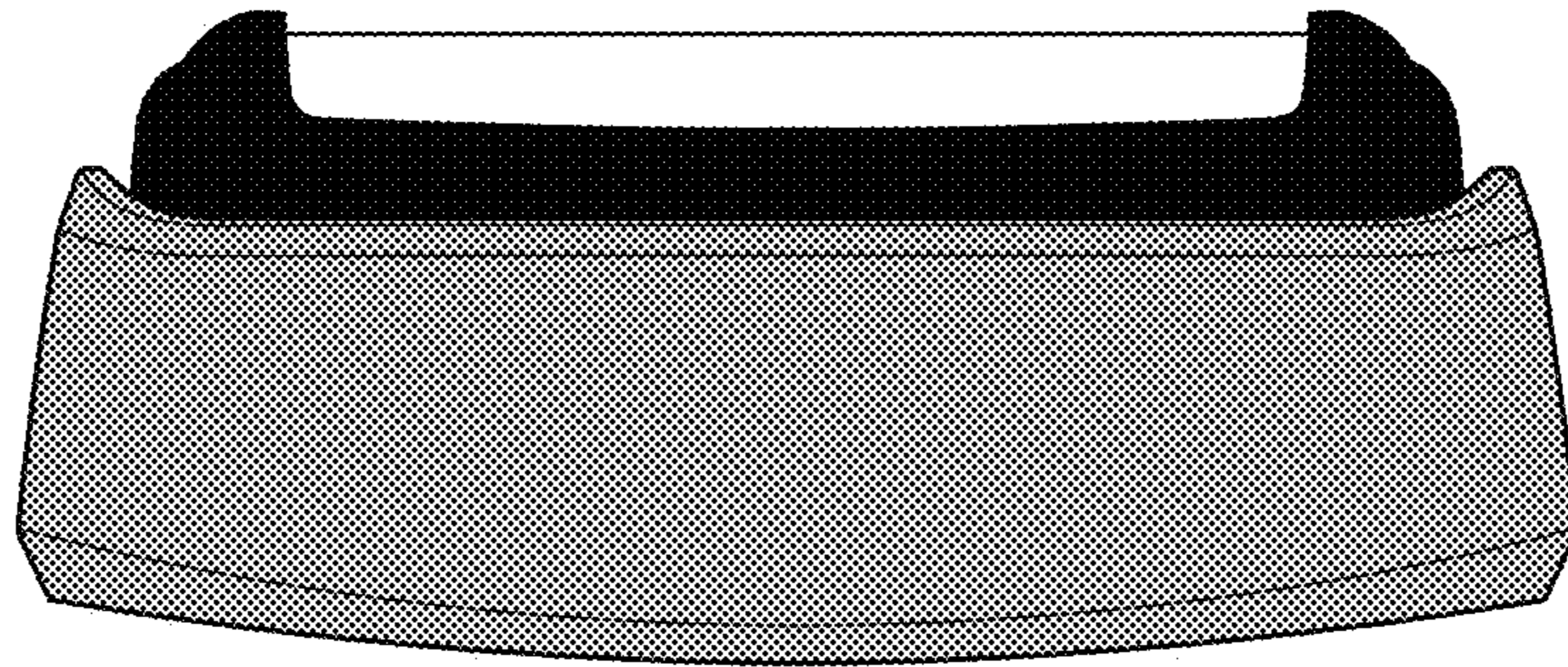


Fig. 2

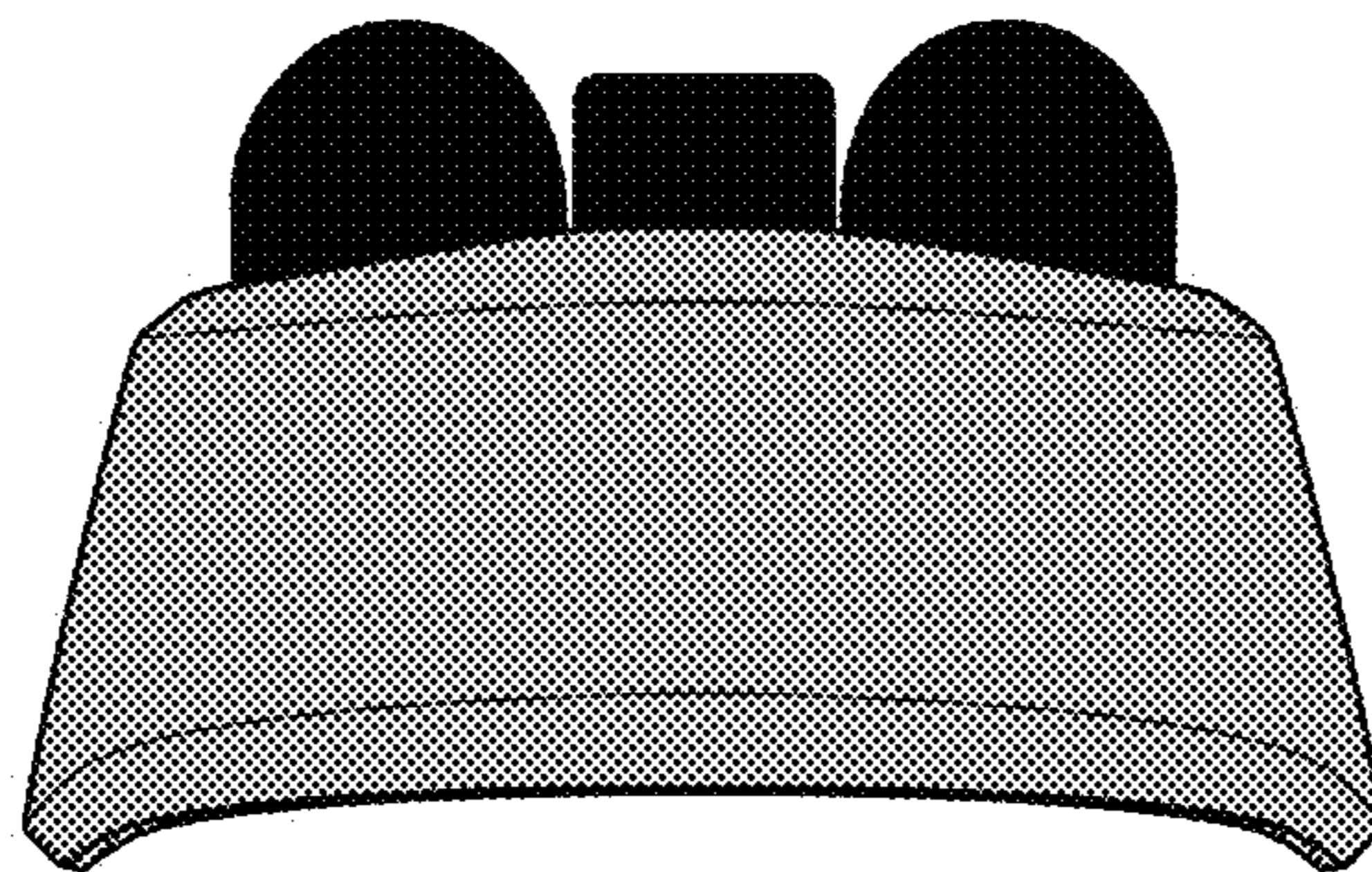


Fig. 3

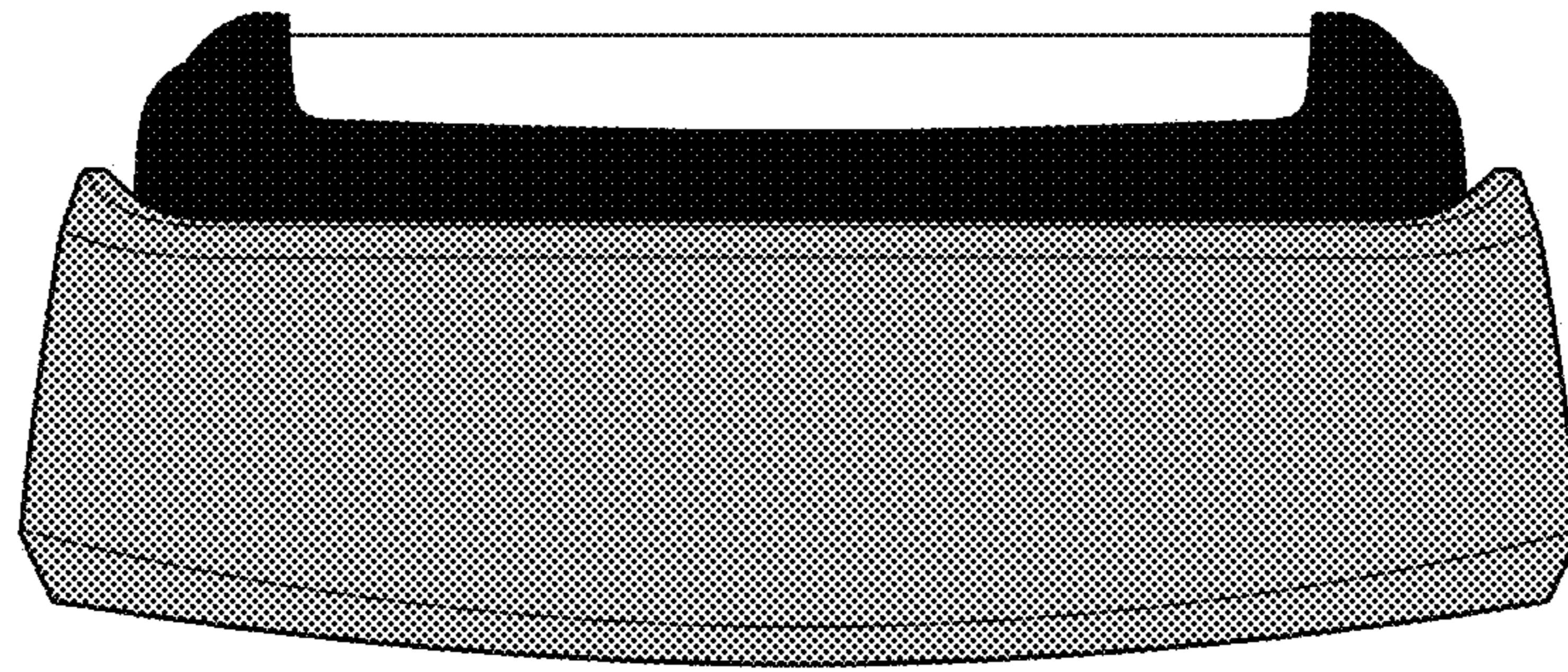


Fig. 4

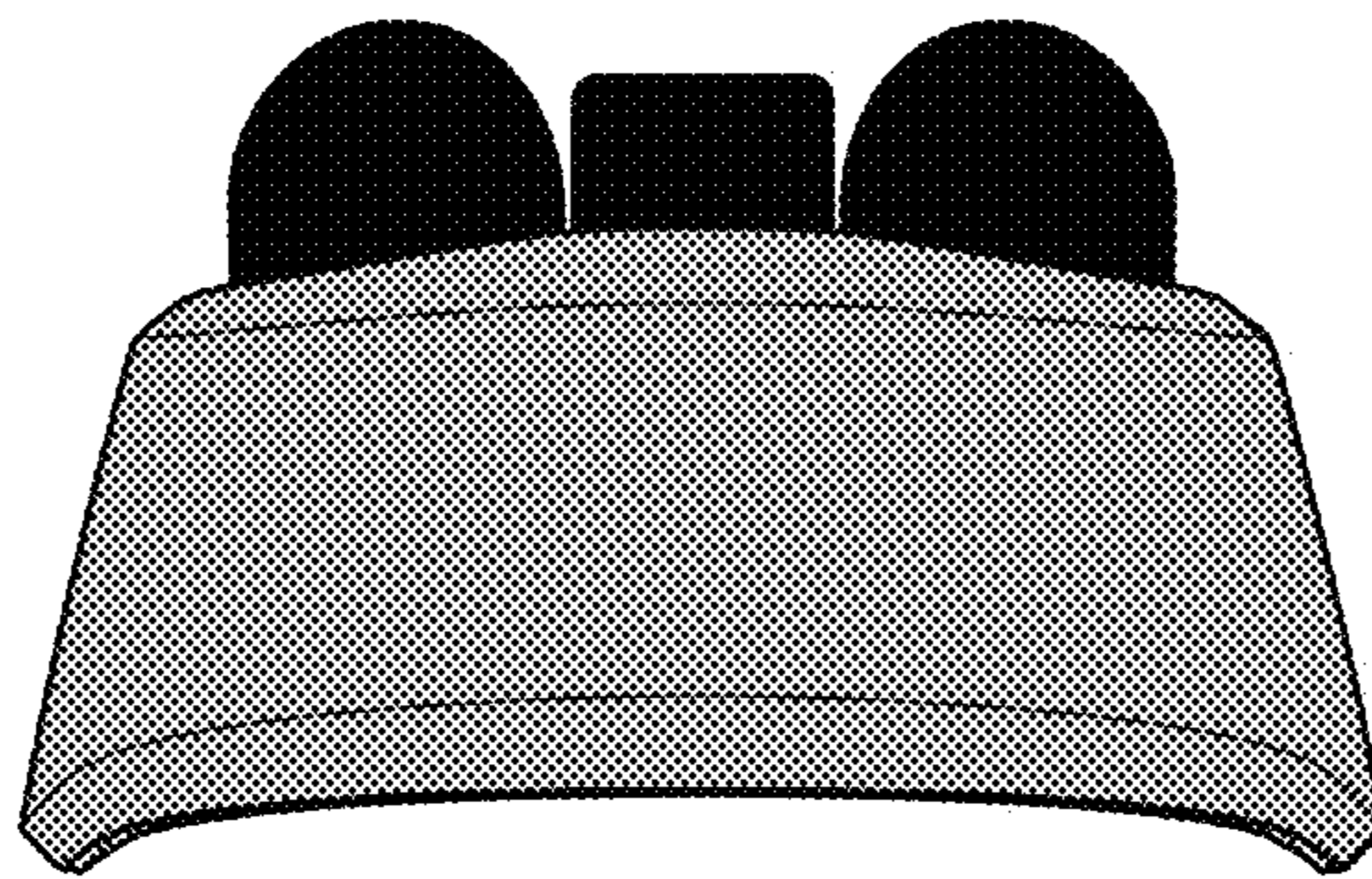


Fig. 5

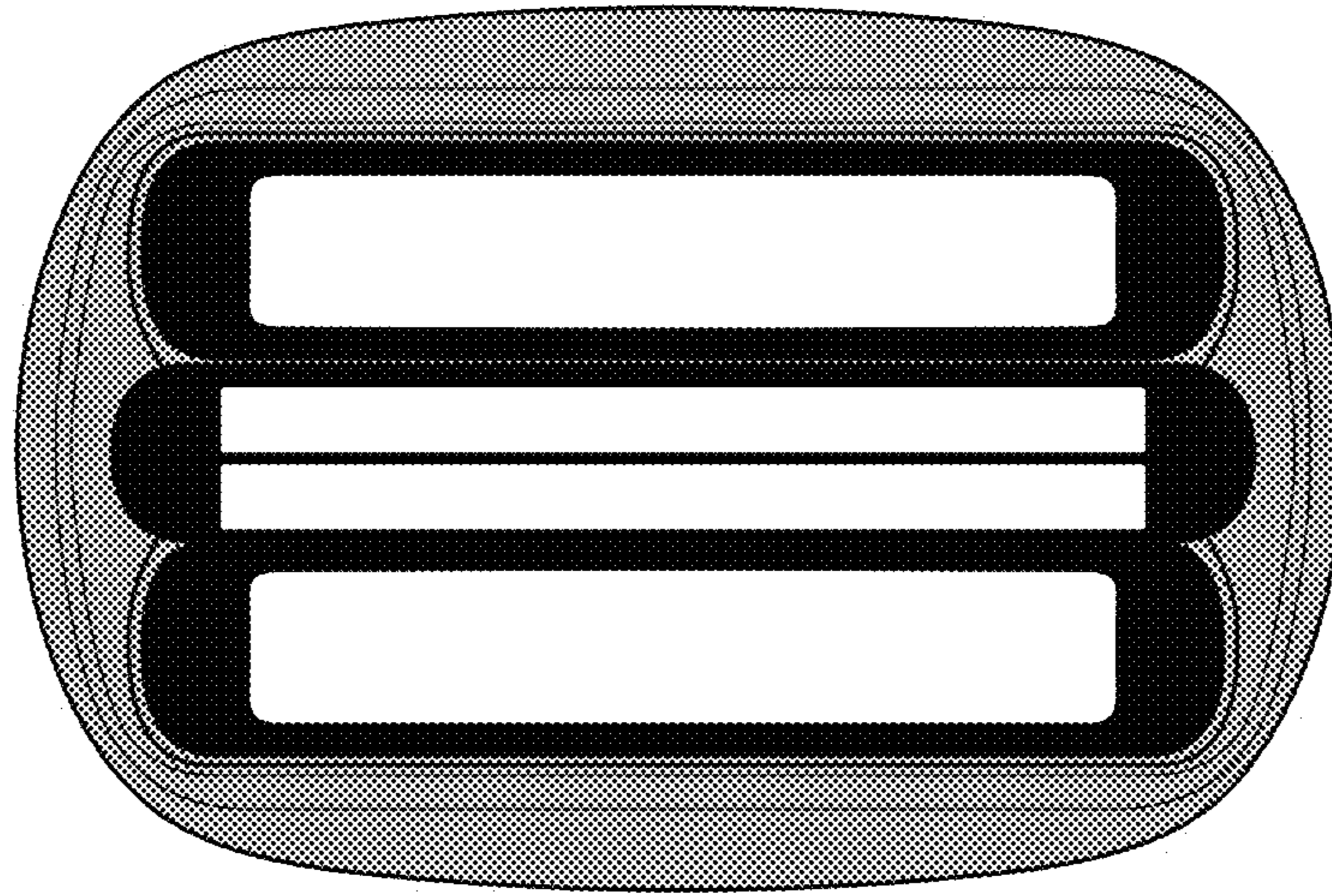


Fig. 6

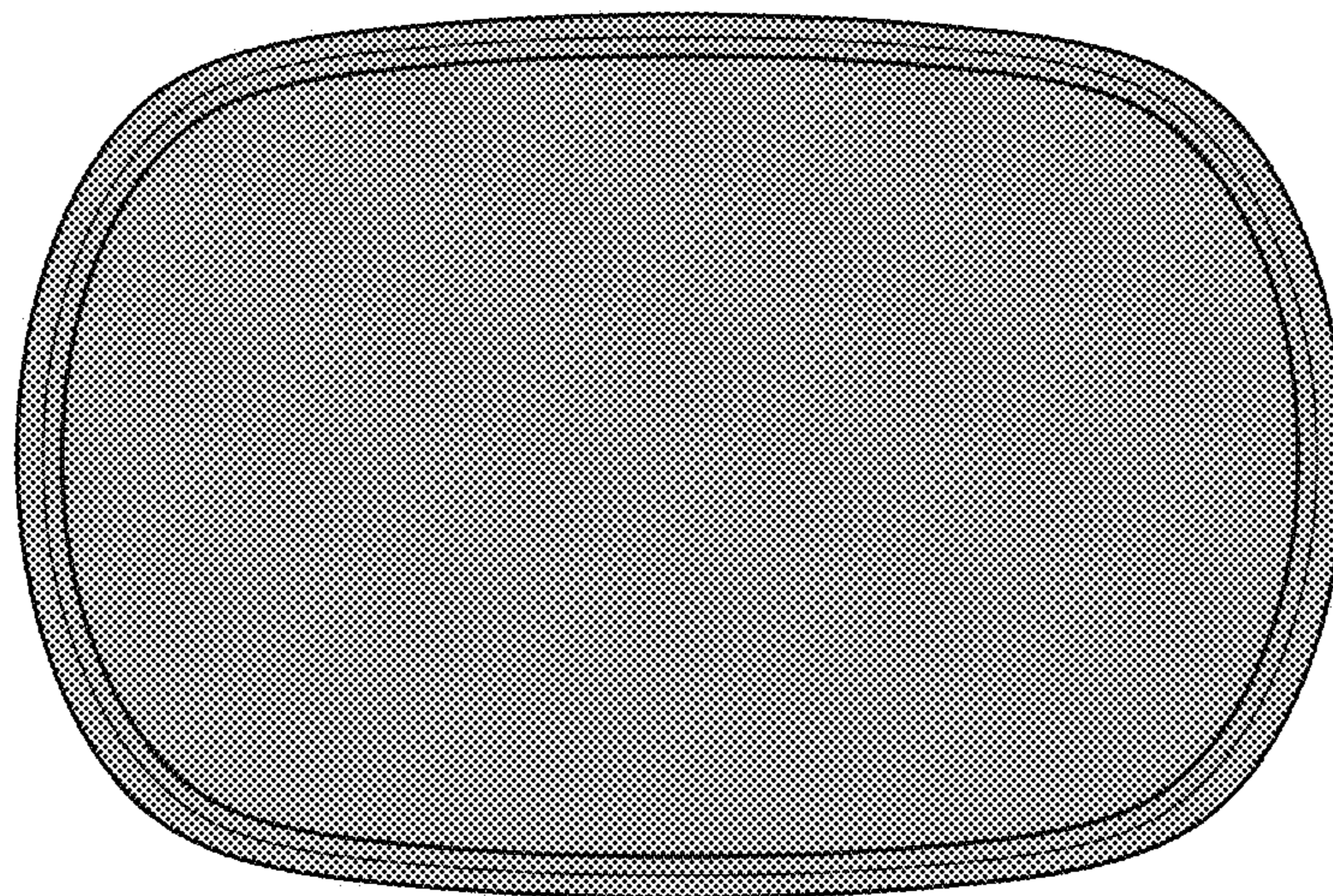


Fig. 7

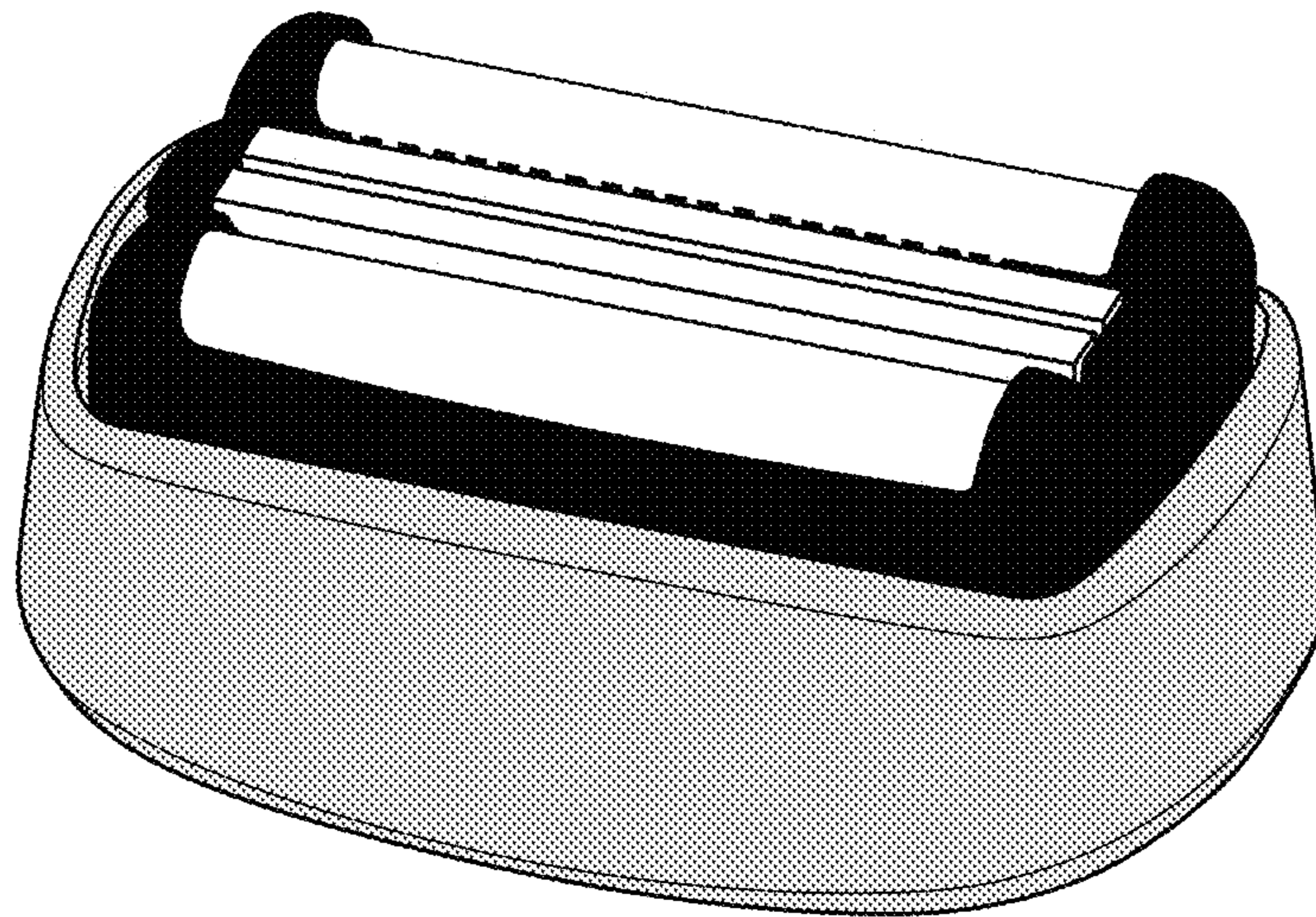


Fig. 8

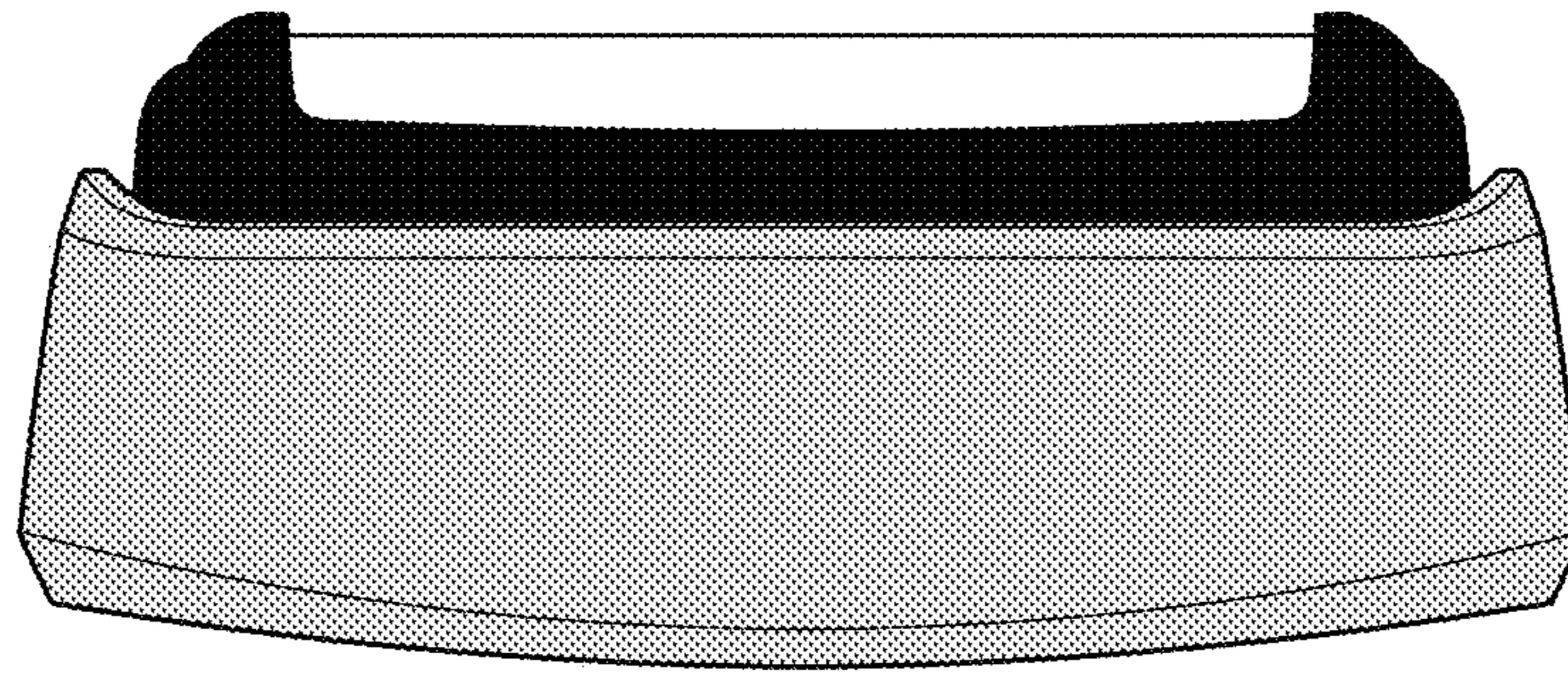


Fig. 9

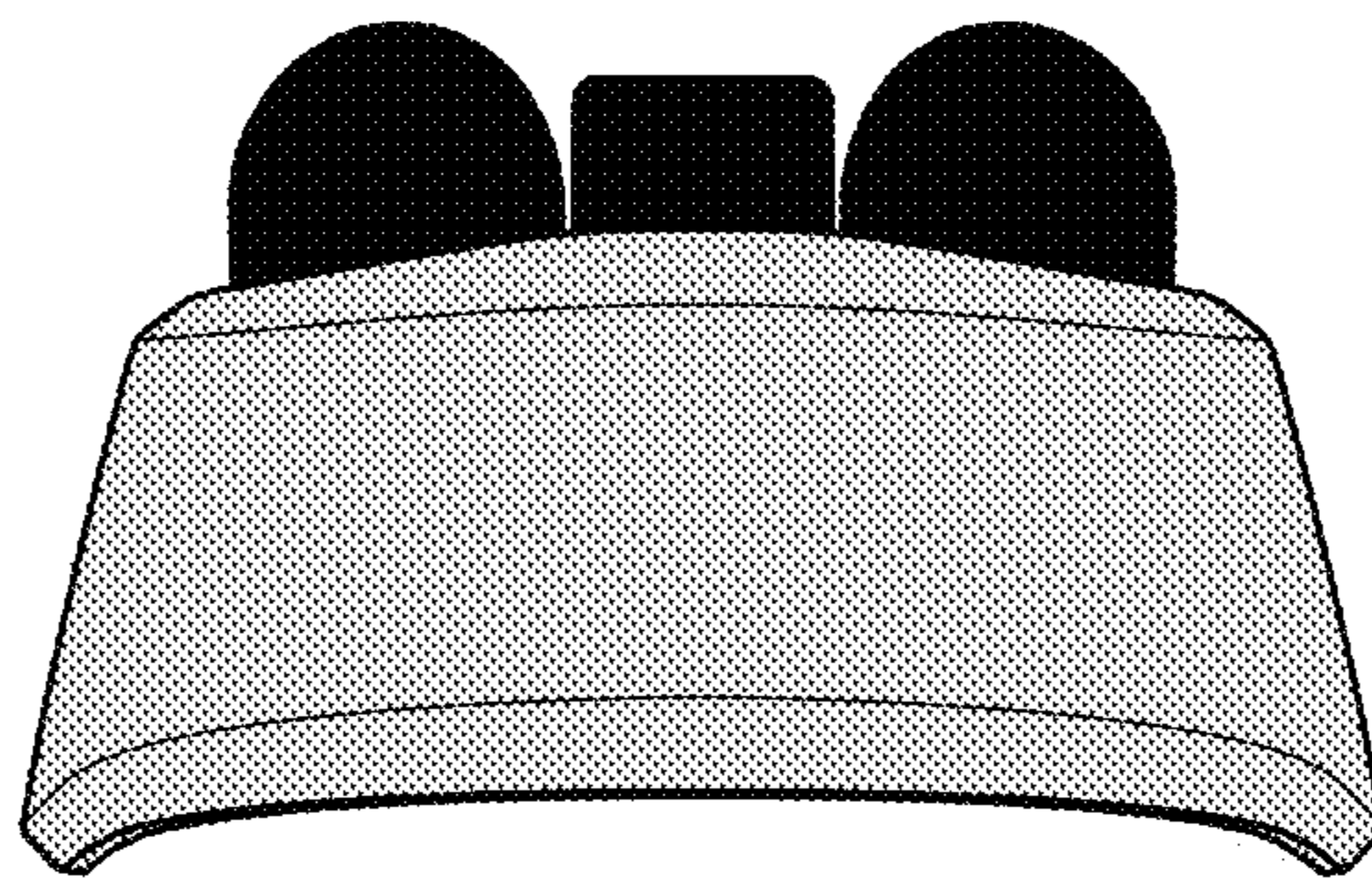


Fig. 10

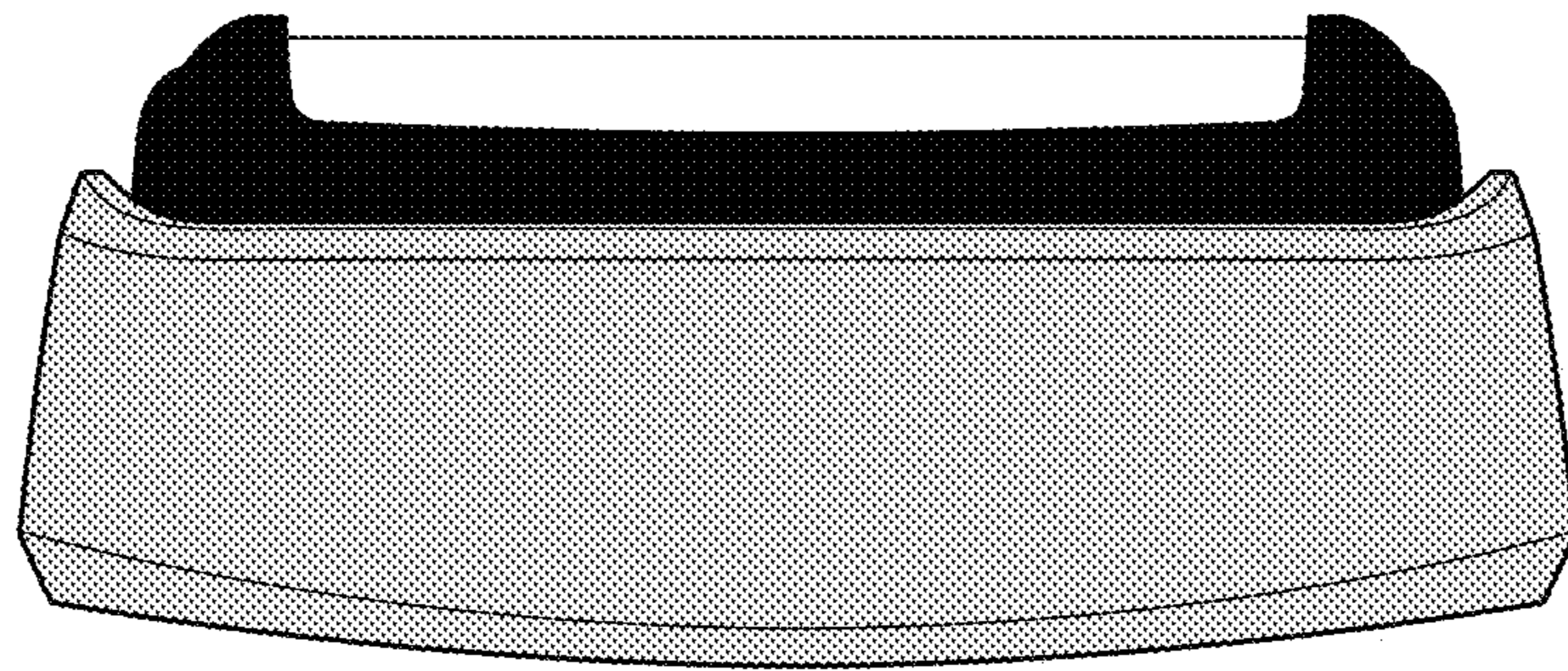


Fig. 11

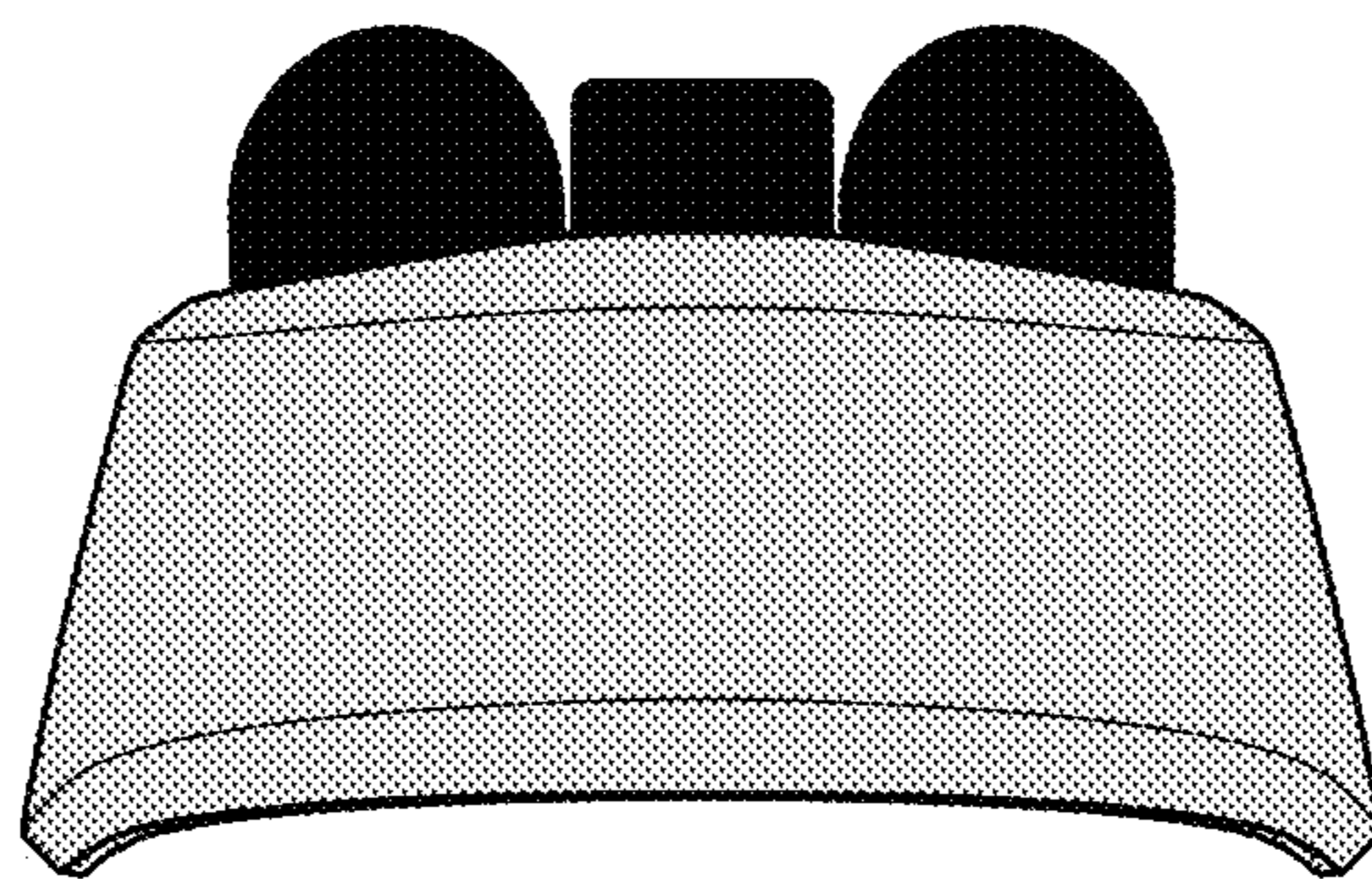


Fig. 12

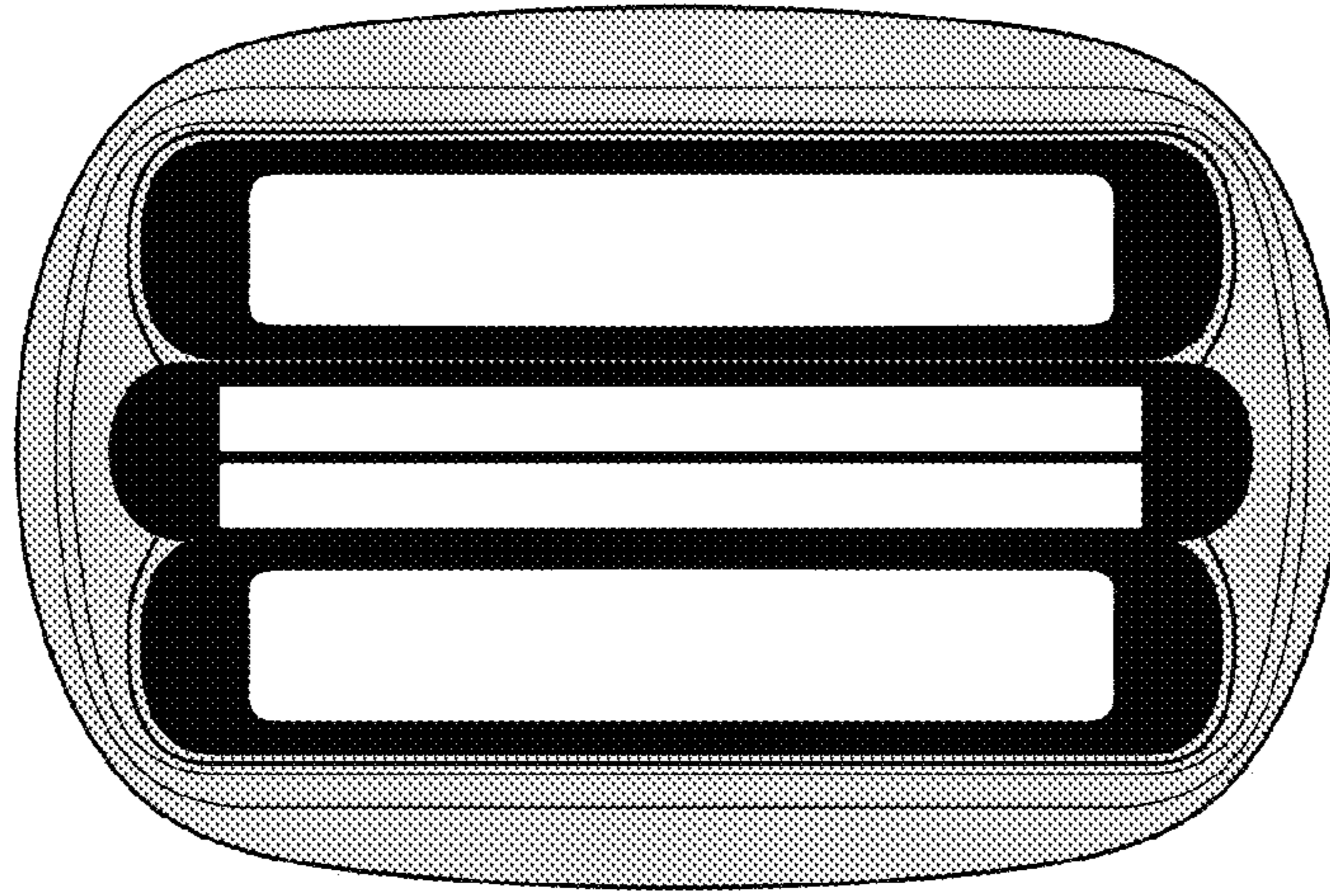


Fig. 13

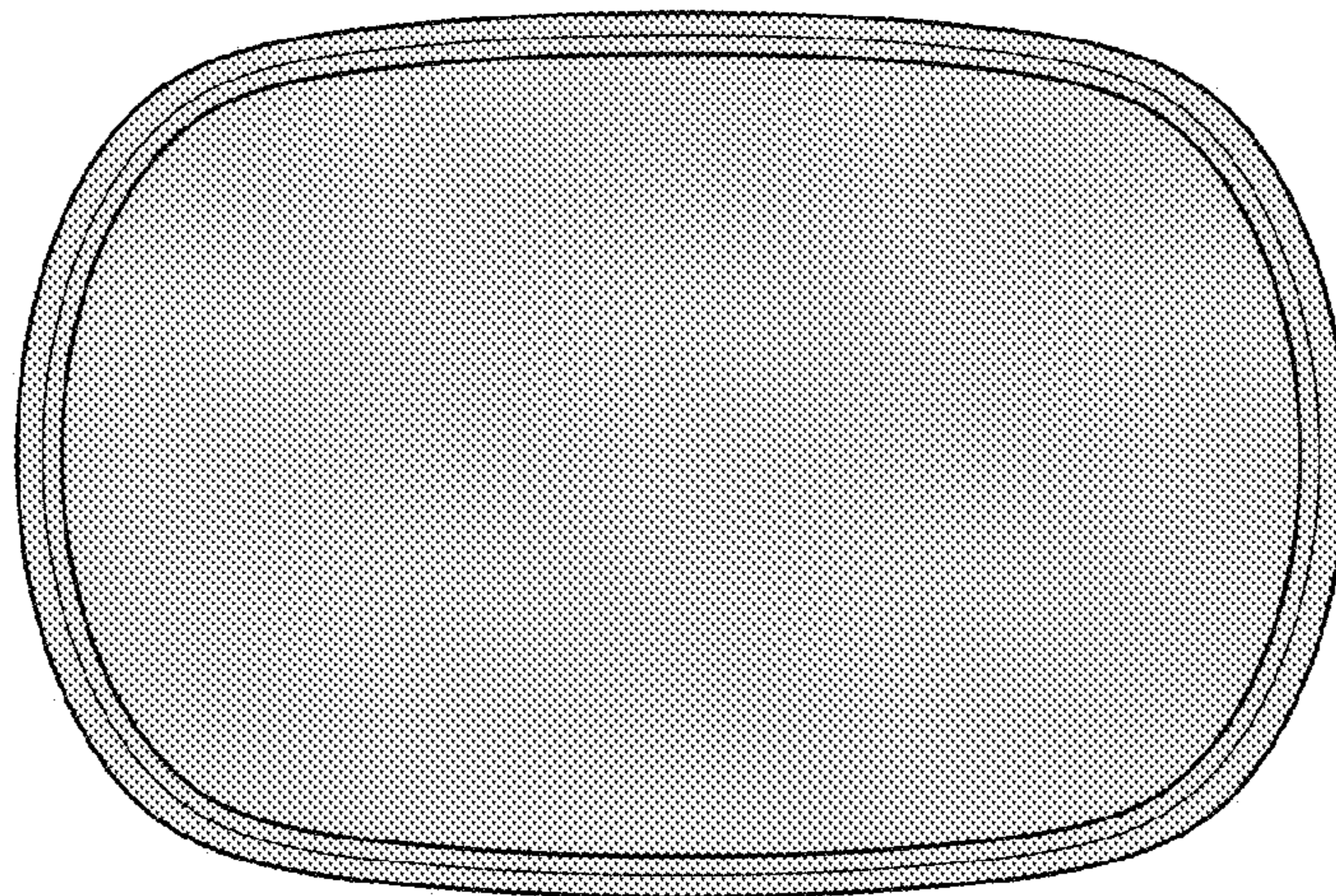


Fig. 14