



US00D713990S

(12) **United States Design Patent**
Stolte et al.

(10) **Patent No.:** **US D713,990 S**

(45) **Date of Patent:** **** Sep. 23, 2014**

(54) **LIGHTING FIXTURE**

(71) Applicant: **Kenall Manufacturing Company,**
Gurnee, IL (US)

(72) Inventors: **Brandon Stolte,** Lindenhurst, IL (US);
Brad Wilson, Twin Lakes, WI (US)

(73) Assignee: **Kenall Manufacturing Company,**
Gurnee, IL (US)

(**) Term: **14 Years**

(21) Appl. No.: **29/484,402**

(22) Filed: **Mar. 10, 2014**

Related U.S. Application Data

(62) Division of application No. 29/449,719, filed on Mar.
15, 2013, now Pat. No. Des. 702,395.

(51) **LOC (10) Cl.** **26-99**

(52) **U.S. Cl.**
USPC **D26/128**

(58) **Field of Classification Search**
USPC D26/118, 119, 120, 64, 65, 72, 124,
D26/125, 138, 128, 132, 84, 85, 86, 87, 69,
D26/62, 1, 2, 113, 123, 134, 135, 89, 90, 24,
D26/145, 142, 74, 63, 88; 362/147, 364,
362/362, 365, 294, 249.03, 249.02, 282,
362/275, 190, 341, 249.01, 241; D13/179,
D13/180, 182

See application file for complete search history.

(56) **References Cited**

U.S. PATENT DOCUMENTS

D200,118 S 1/1965 Van Steenhoven
D228,795 S 10/1973 Peasley
4,914,182 A 4/1990 Pfeifer et al.

(Continued)

Primary Examiner — Kevin Rudzinski

(74) *Attorney, Agent, or Firm* — Marshall, Gerstein & Borun
LLP

(57) **CLAIM**

The ornamental design for a lighting fixture, as shown and
described.

DESCRIPTION

FIG. 1 is a perspective view showing a new design for a
lighting fixture;

FIG. 2 is a front view of the lighting fixture of FIG. 1;

FIG. 3 is a right side view of the lighting fixture of FIG. 1;

FIG. 4 is a rear view of the lighting fixture of FIG. 1;

FIG. 5 is a left side view of the lighting fixture of FIG. 1;

FIG. 6 is a top plan view of the lighting fixture of FIG. 1;

FIG. 7 is a bottom plan view of the lighting fixture of FIG. 1;

FIG. 8 is a perspective view showing a second embodiment of
a new design for a lighting fixture;

FIG. 9 is a front view of the lighting fixture of FIG. 8;

FIG. 10 is a right side view of the lighting fixture of FIG. 8;

FIG. 11 is a rear view of the lighting fixture of FIG. 8;

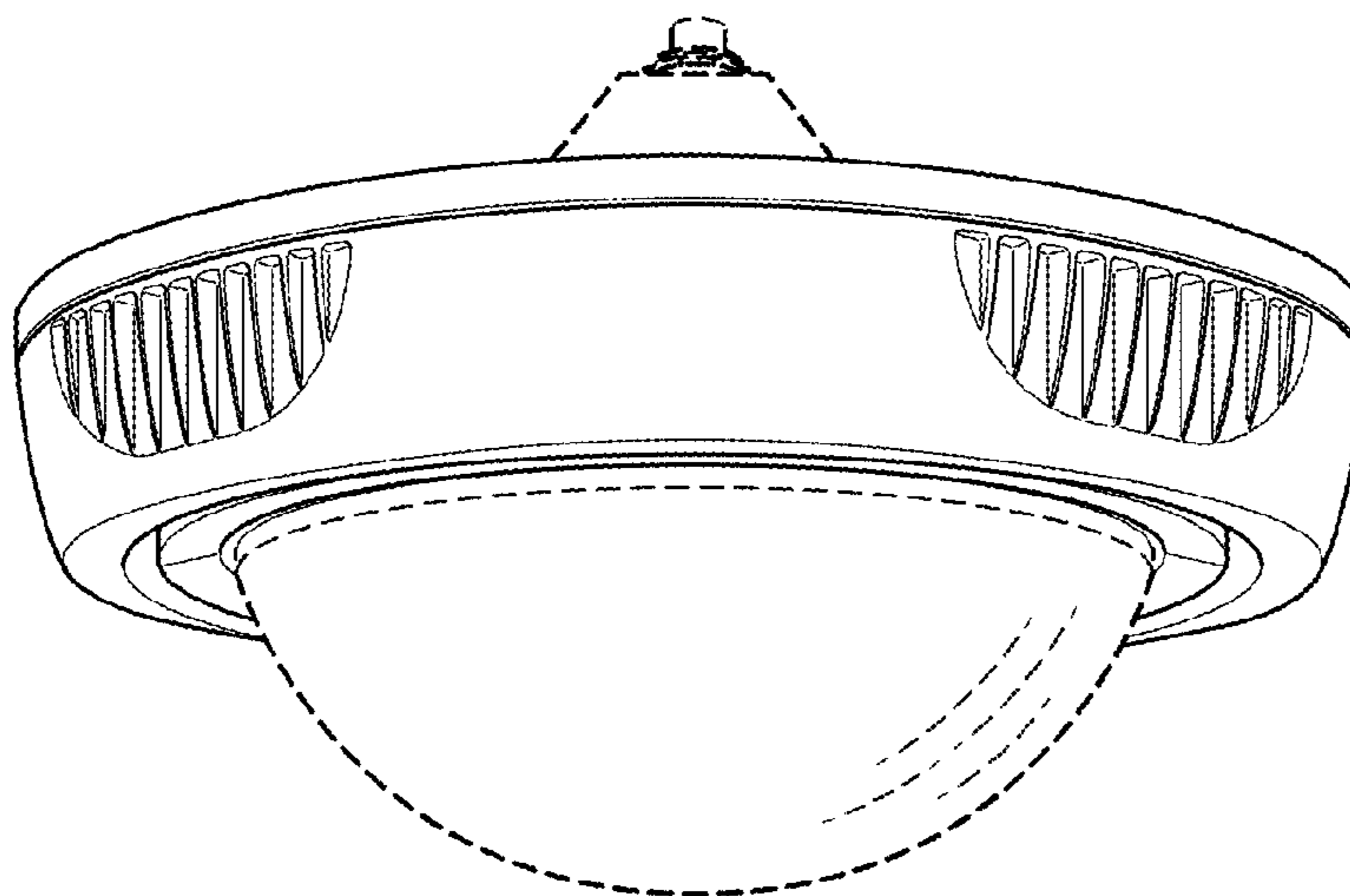
FIG. 12 is a left side view of the lighting fixture of FIG. 8;

FIG. 13 is a top plan view of the lighting fixture of FIG. 8; and,

FIG. 14 is a bottom plan view of the lighting fixture of FIG. 8.

The broken lines showing portions of the lighting fixture are
included for the purpose of illustrating environment and form
no part of the claimed design.

1 Claim, 9 Drawing Sheets



(56)

References Cited

U.S. PATENT DOCUMENTS

5,486,989 A * 1/1996 Compton 362/291
 D402,382 S 12/1998 Pearce et al.
 D406,377 S 3/1999 Pearce et al.
 D443,713 S 6/2001 Benensohn
 D447,829 S * 9/2001 Bradford et al. D26/85
 6,561,670 B1 * 5/2003 Jongewaard et al. 362/147
 6,623,143 B2 9/2003 Anderson
 D482,816 S * 11/2003 Packer et al. D26/89
 7,144,135 B2 12/2006 Martin et al.
 D551,795 S 9/2007 Compton et al.
 D567,773 S 4/2008 Kamada
 D571,034 S 6/2008 Goetz-Schaefer
 7,445,362 B2 * 11/2008 Compton et al. 362/346
 D583,984 S * 12/2008 Takahashi et al. D26/89
 D599,040 S * 8/2009 Alexander et al. D26/1
 D625,038 S 10/2010 Yoo

D634,053 S 3/2011 Guercio
 D634,057 S 3/2011 Nguyen et al.
 D639,488 S * 6/2011 Yoshida et al. D26/89
 D639,996 S 6/2011 Stolte et al.
 D652,980 S 1/2012 Yoshida et al.
 D655,849 S 3/2012 Sabernig
 D657,088 S 4/2012 Miro
 D666,350 S 8/2012 Lee
 8,240,885 B2 8/2012 Miller
 8,272,765 B2 9/2012 Ter-Hovhannisyan
 D668,811 S 10/2012 Peter
 D673,322 S * 12/2012 Van De Ven et al. D26/113
 D680,261 S * 4/2013 Kong et al. D26/113
 D694,946 S * 12/2013 Yu D26/92
 D698,989 S * 2/2014 Dungan et al. D26/128
 2011/0309751 A1 * 12/2011 Ter-Hovhannisyan 315/113
 2012/0176792 A1 7/2012 Stolte et al.
 2012/0176797 A1 7/2012 Stolte et al.

* cited by examiner

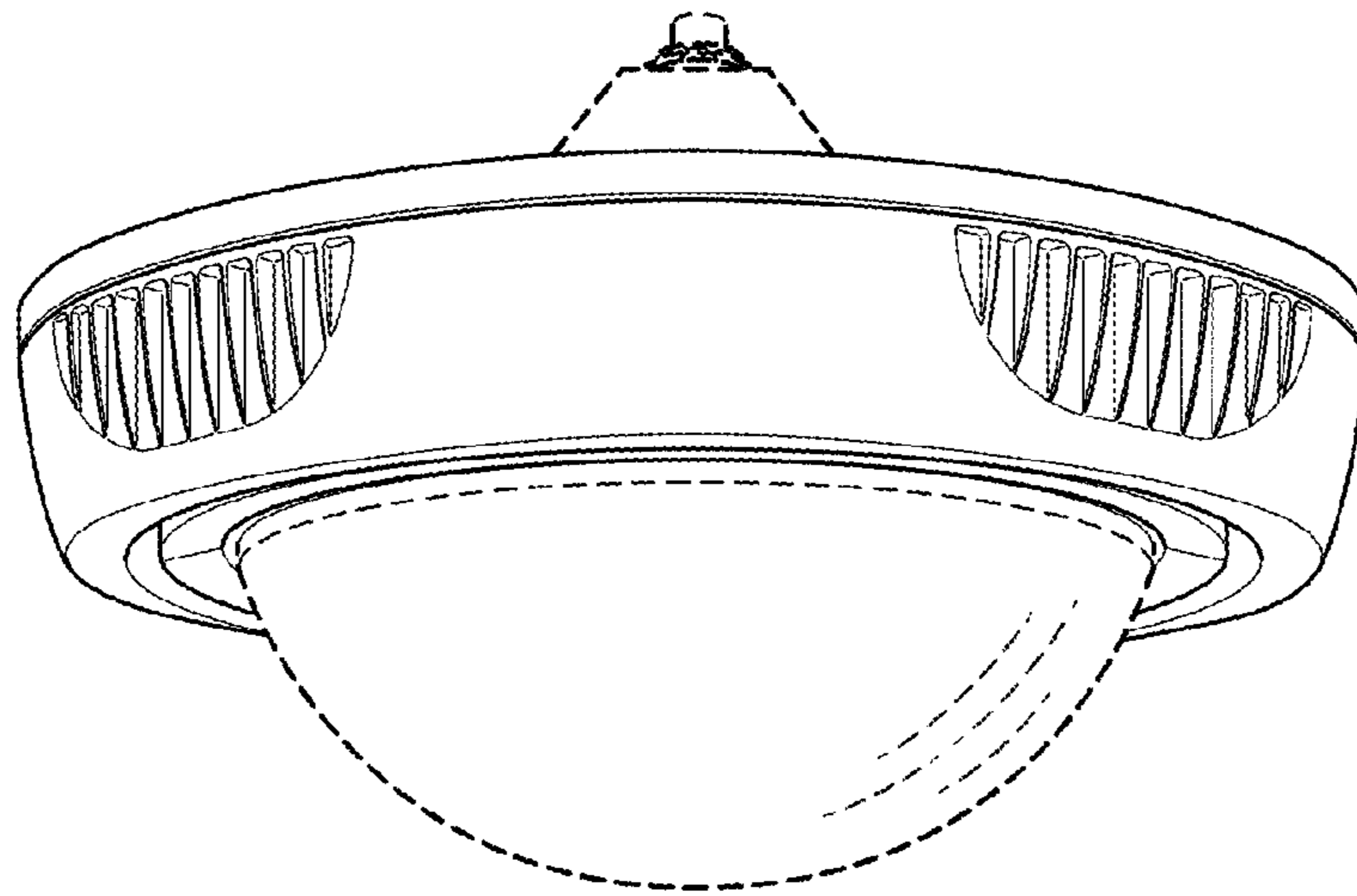


FIG. 1

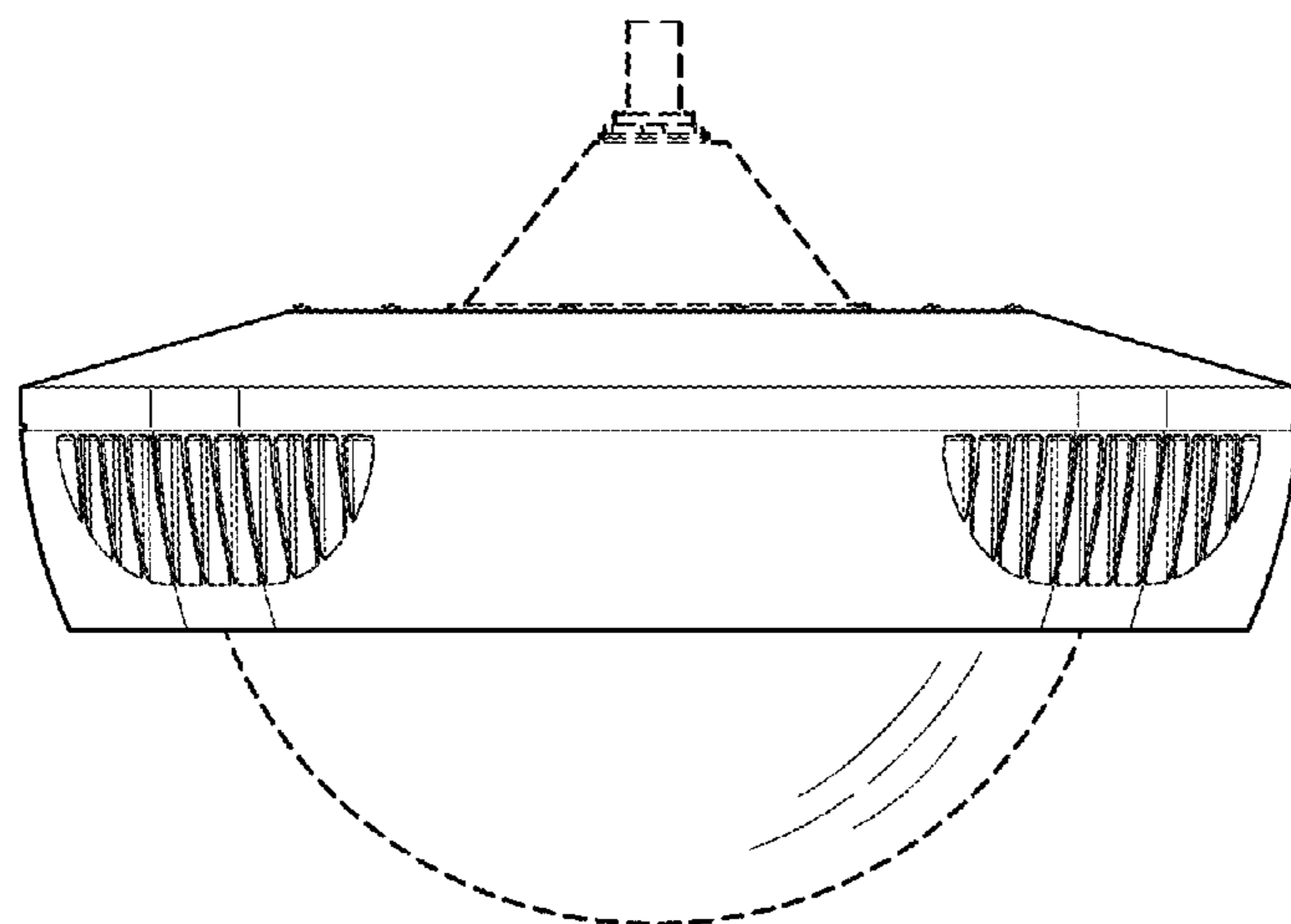


FIG. 2

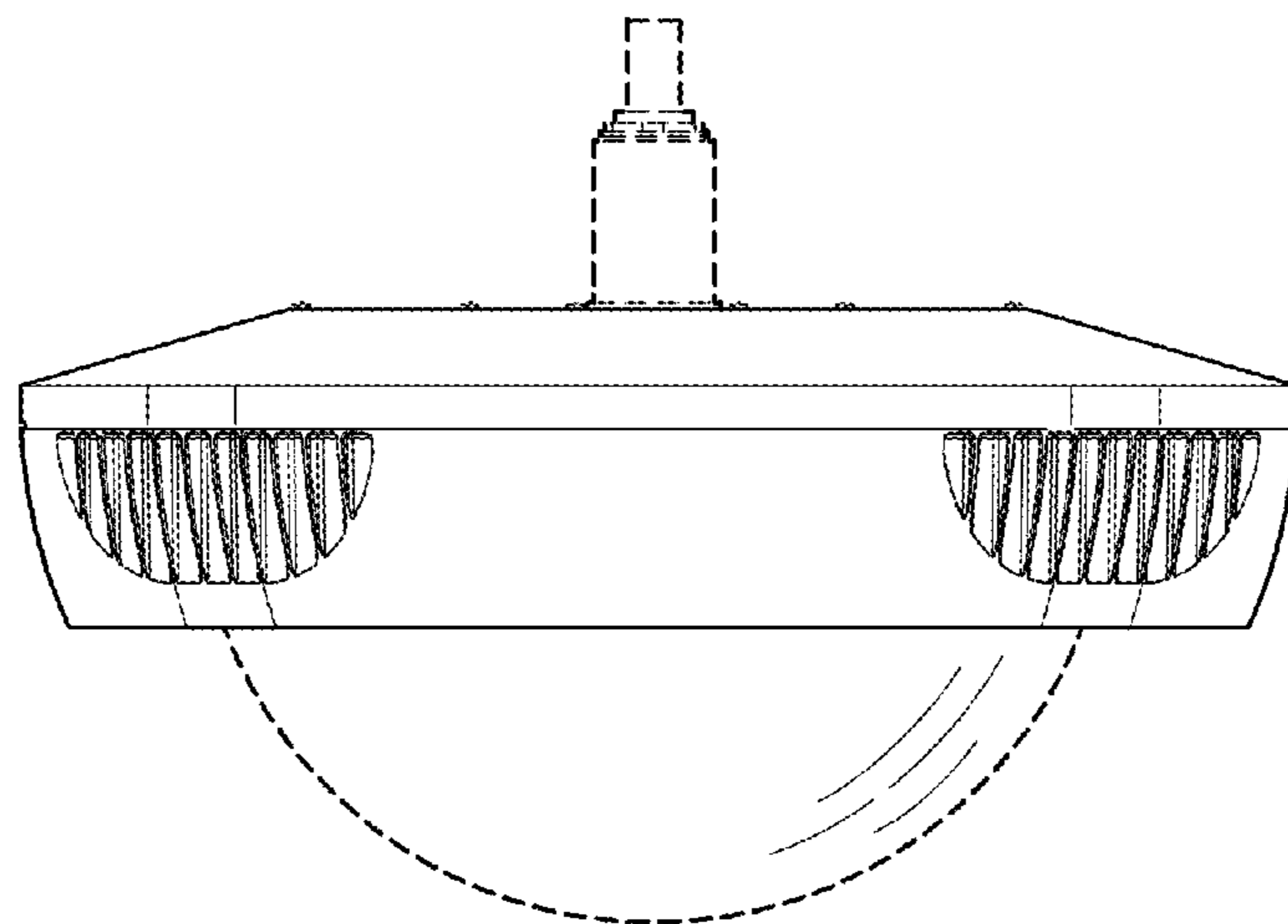


FIG. 3

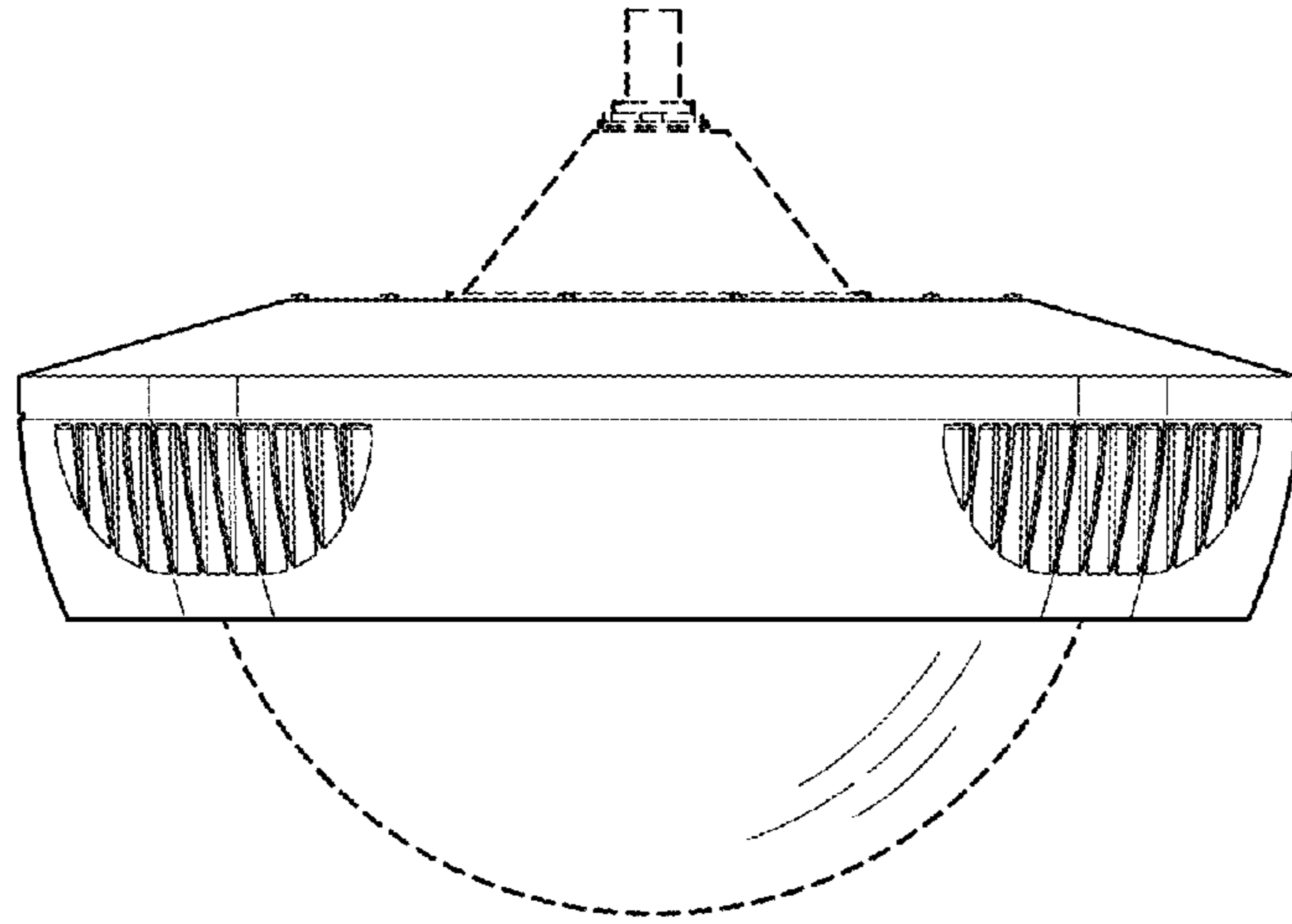


FIG. 4

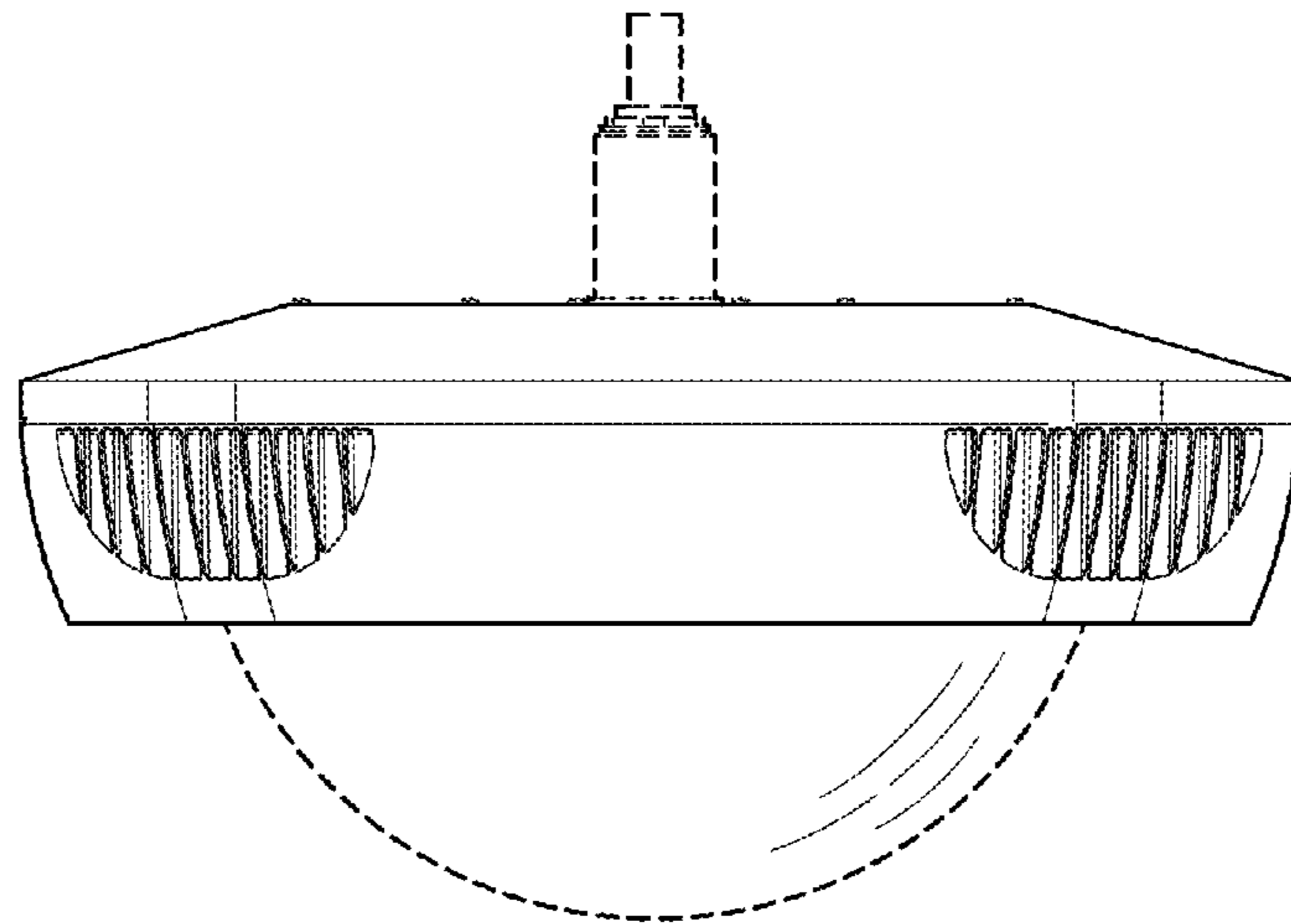


FIG. 5

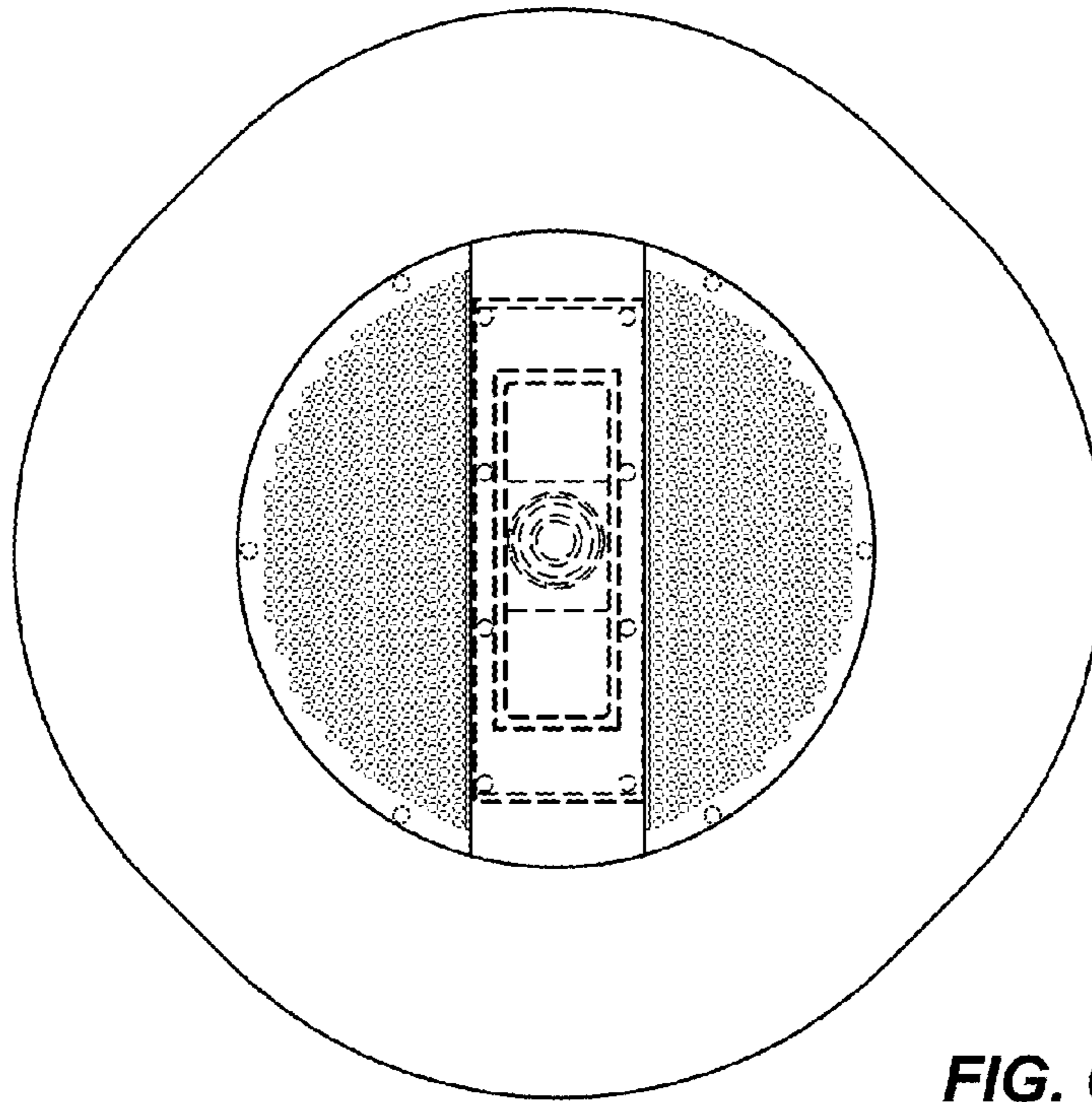


FIG. 6

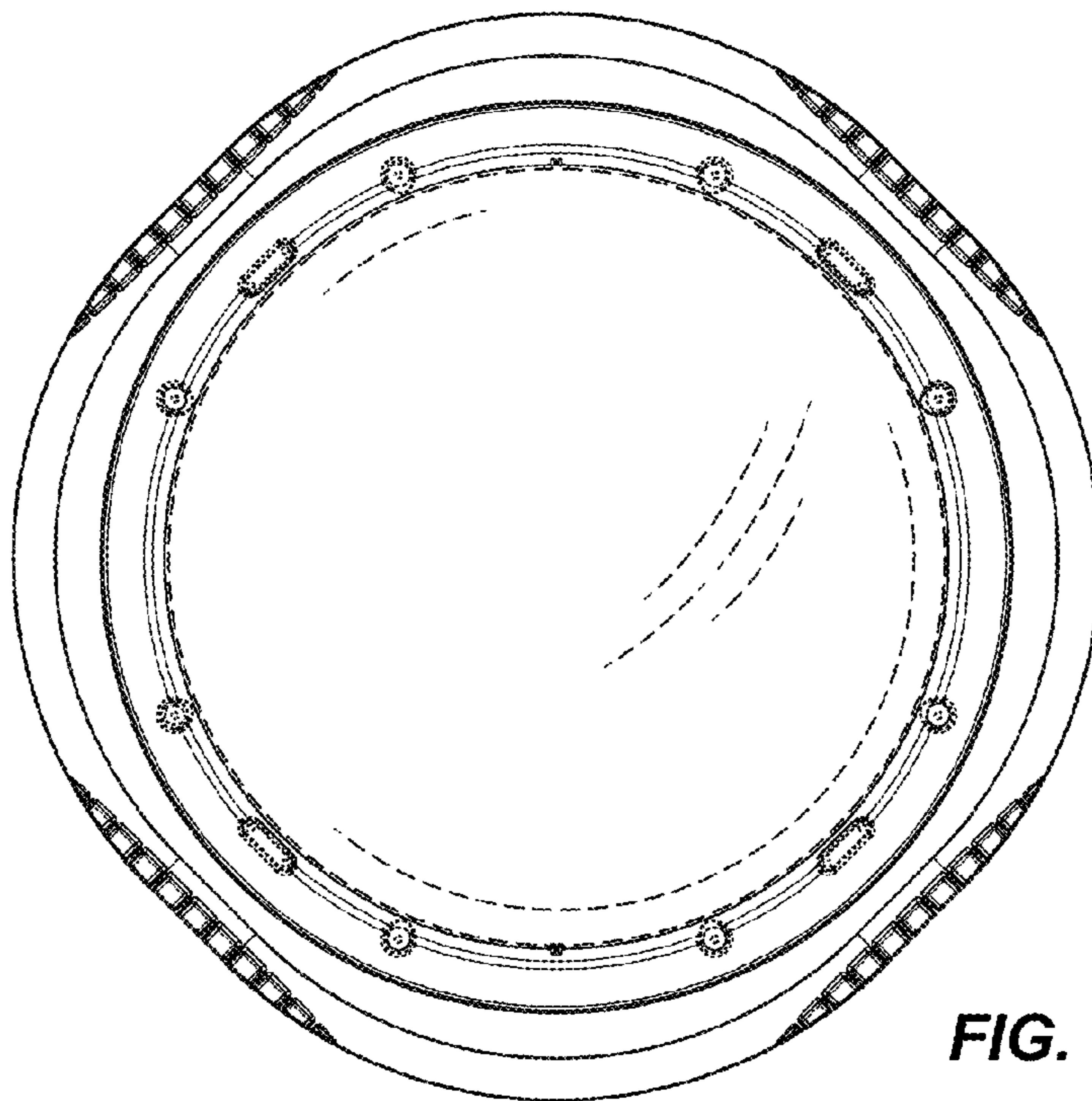


FIG. 7

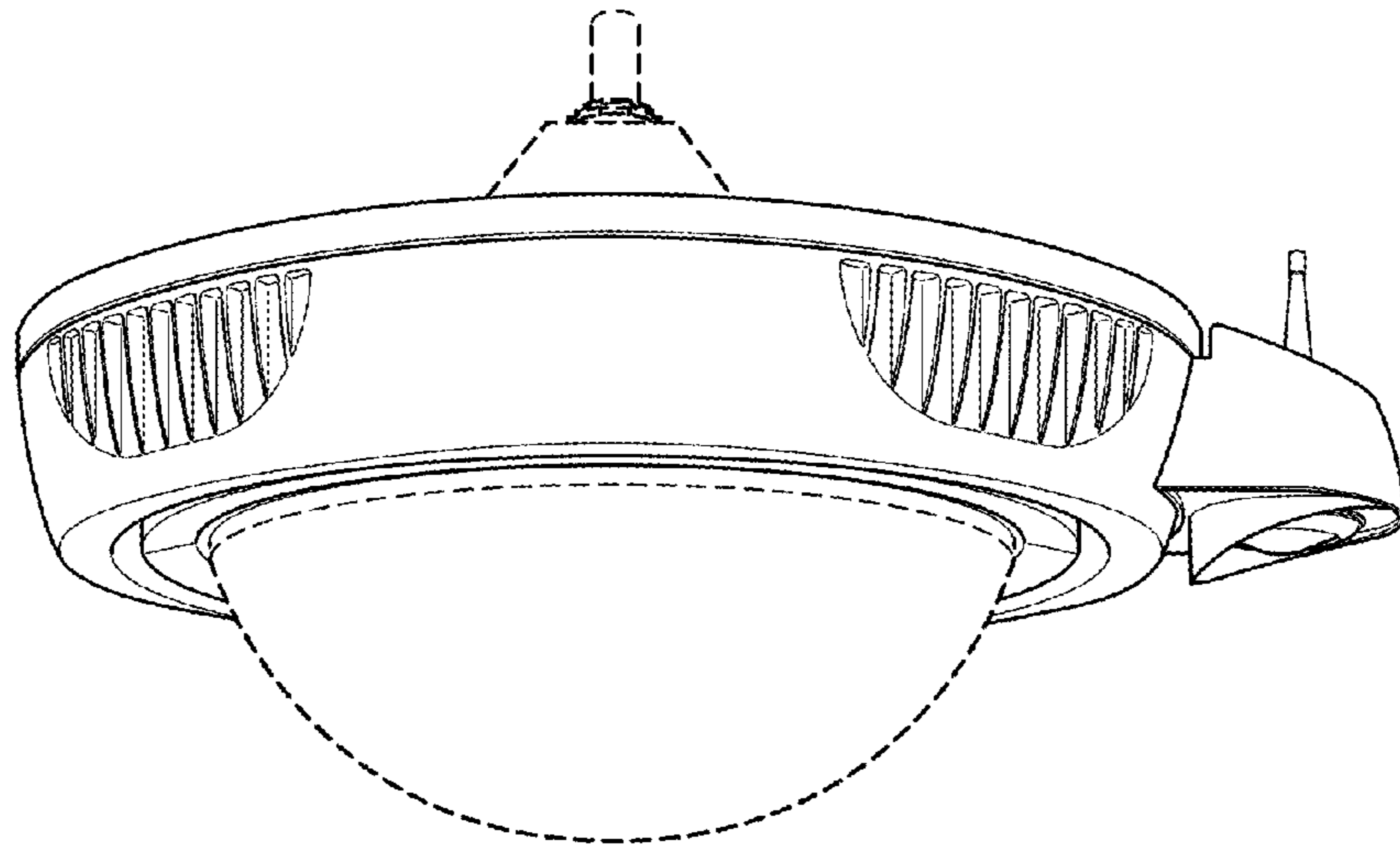


FIG. 8

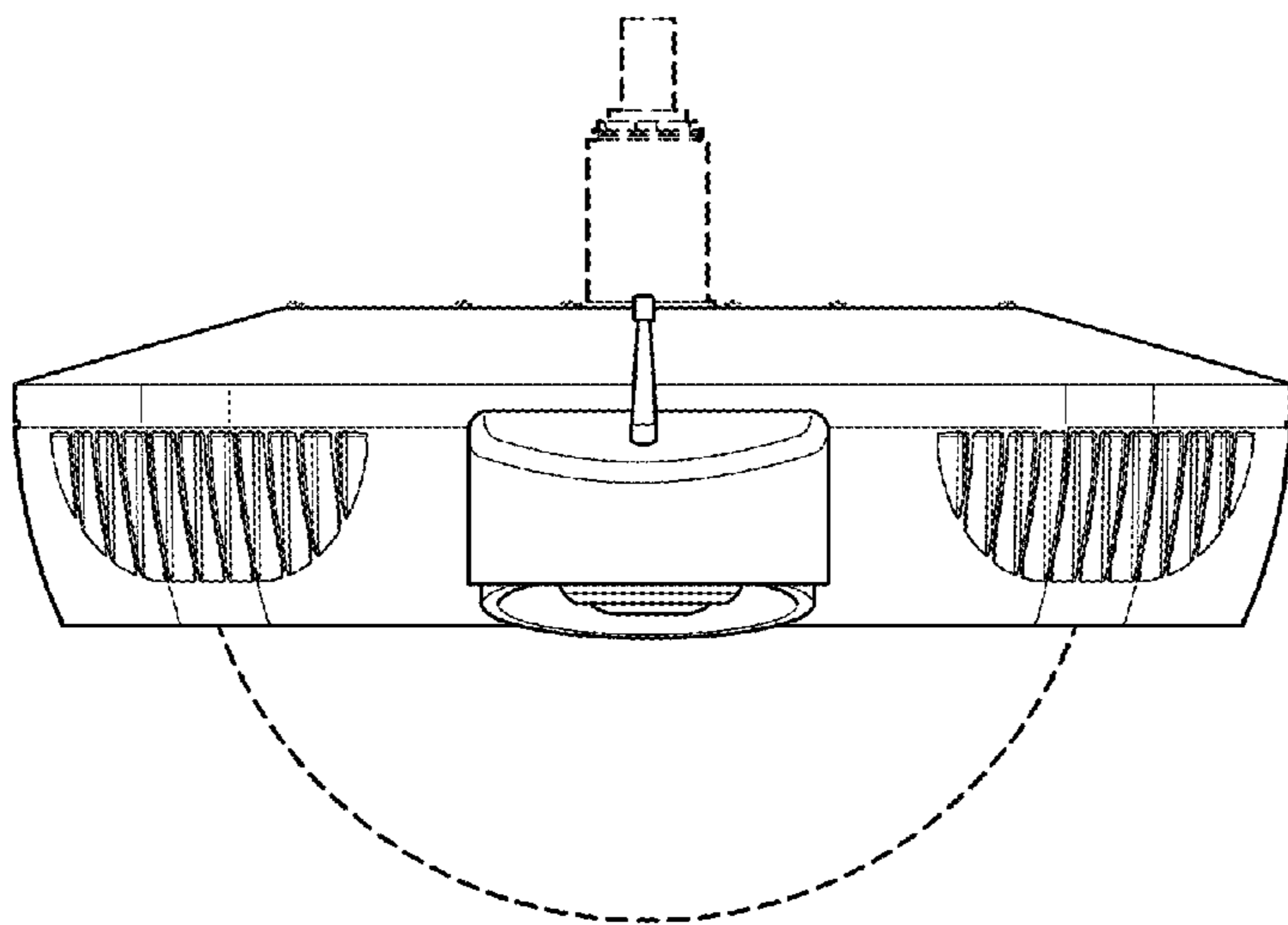


FIG. 9

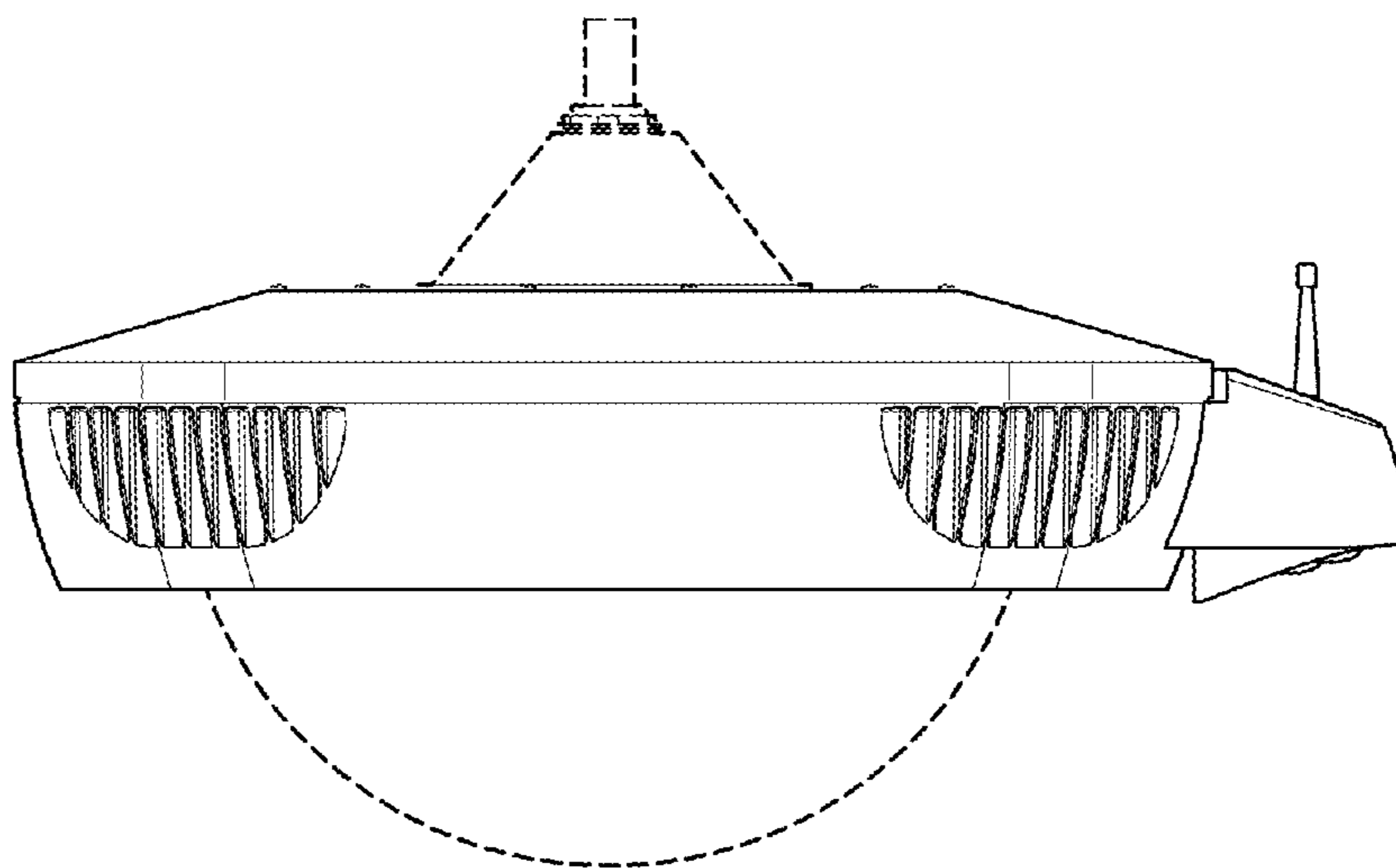


FIG. 10

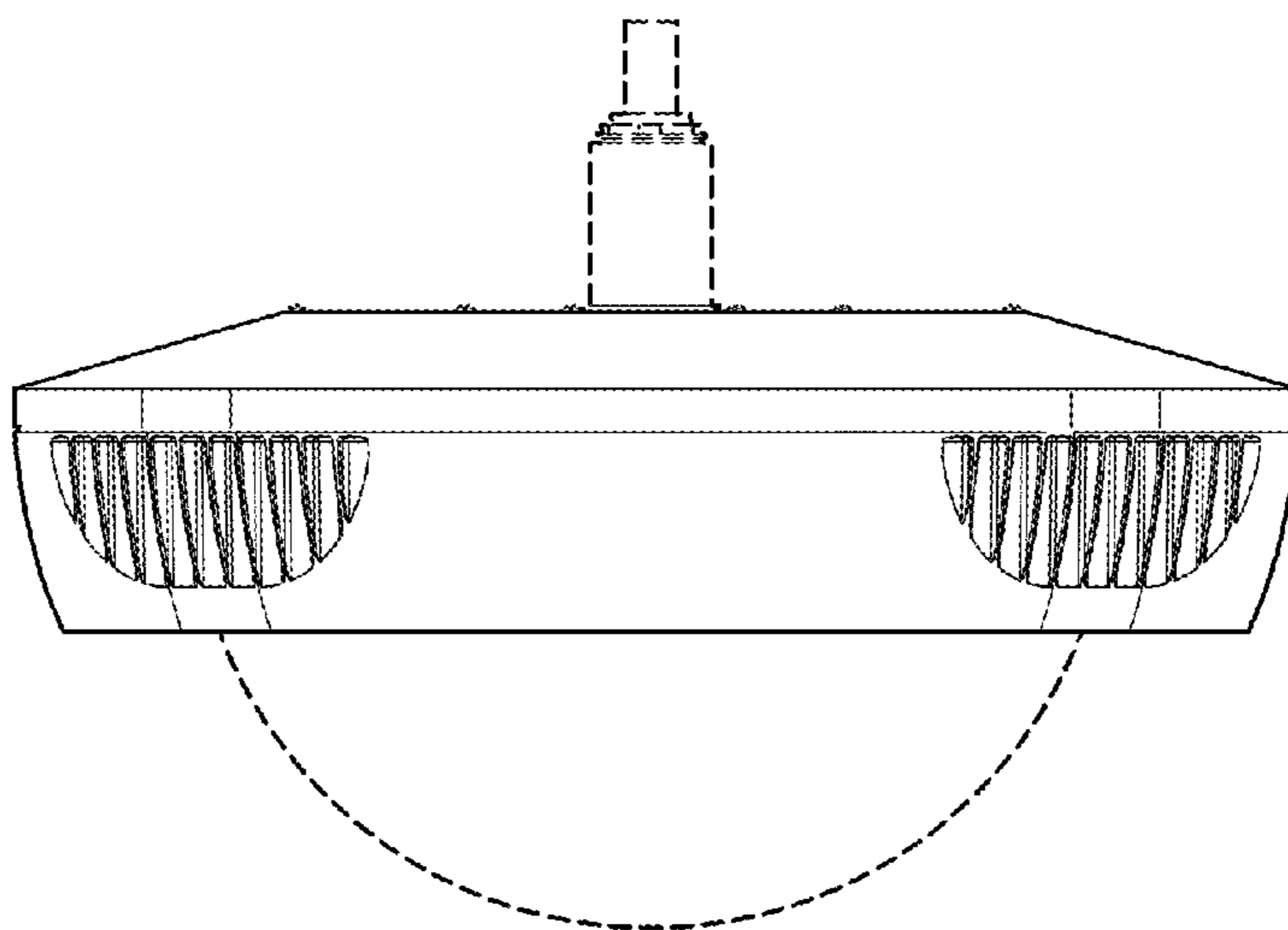


FIG. 11

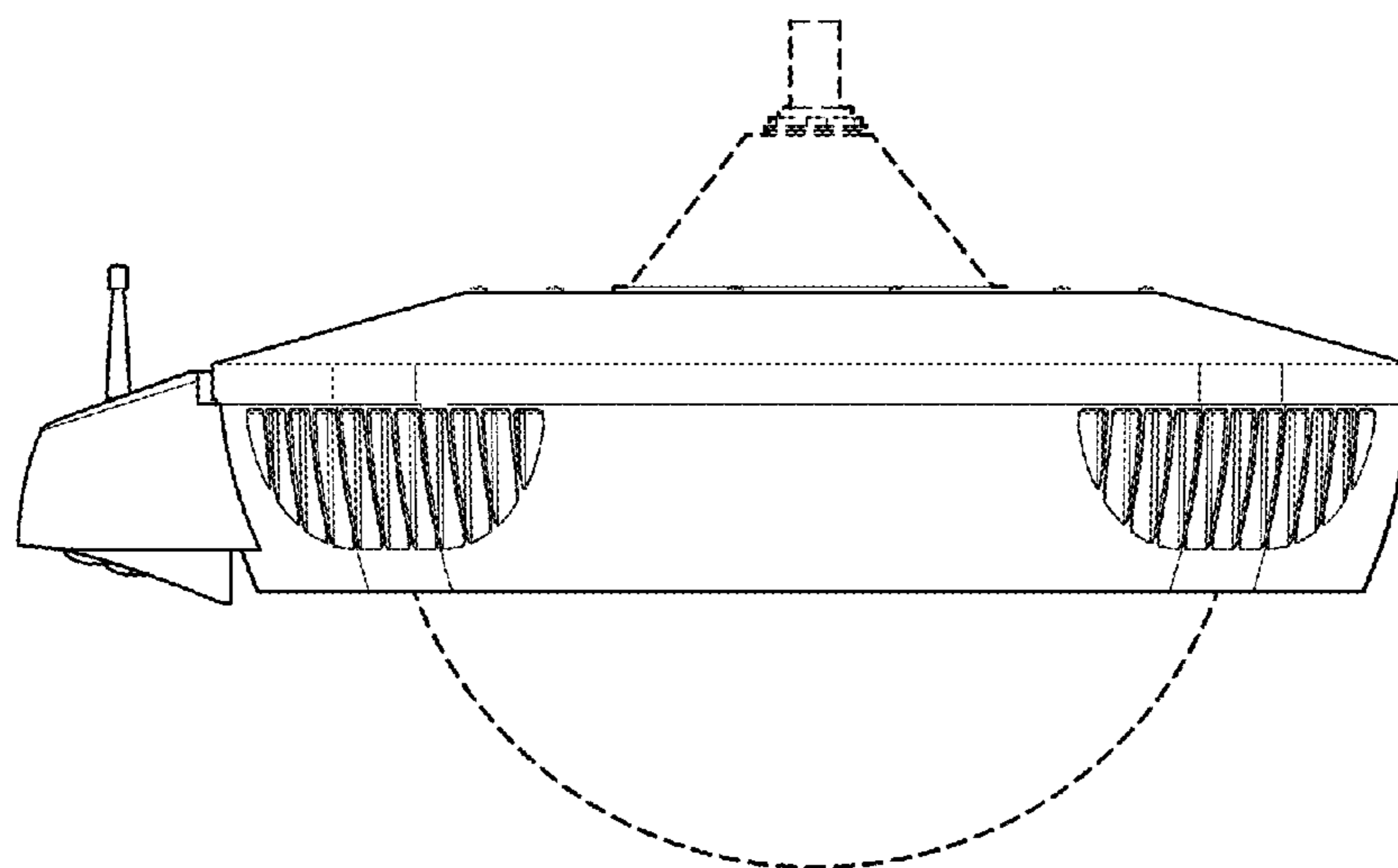


FIG. 12

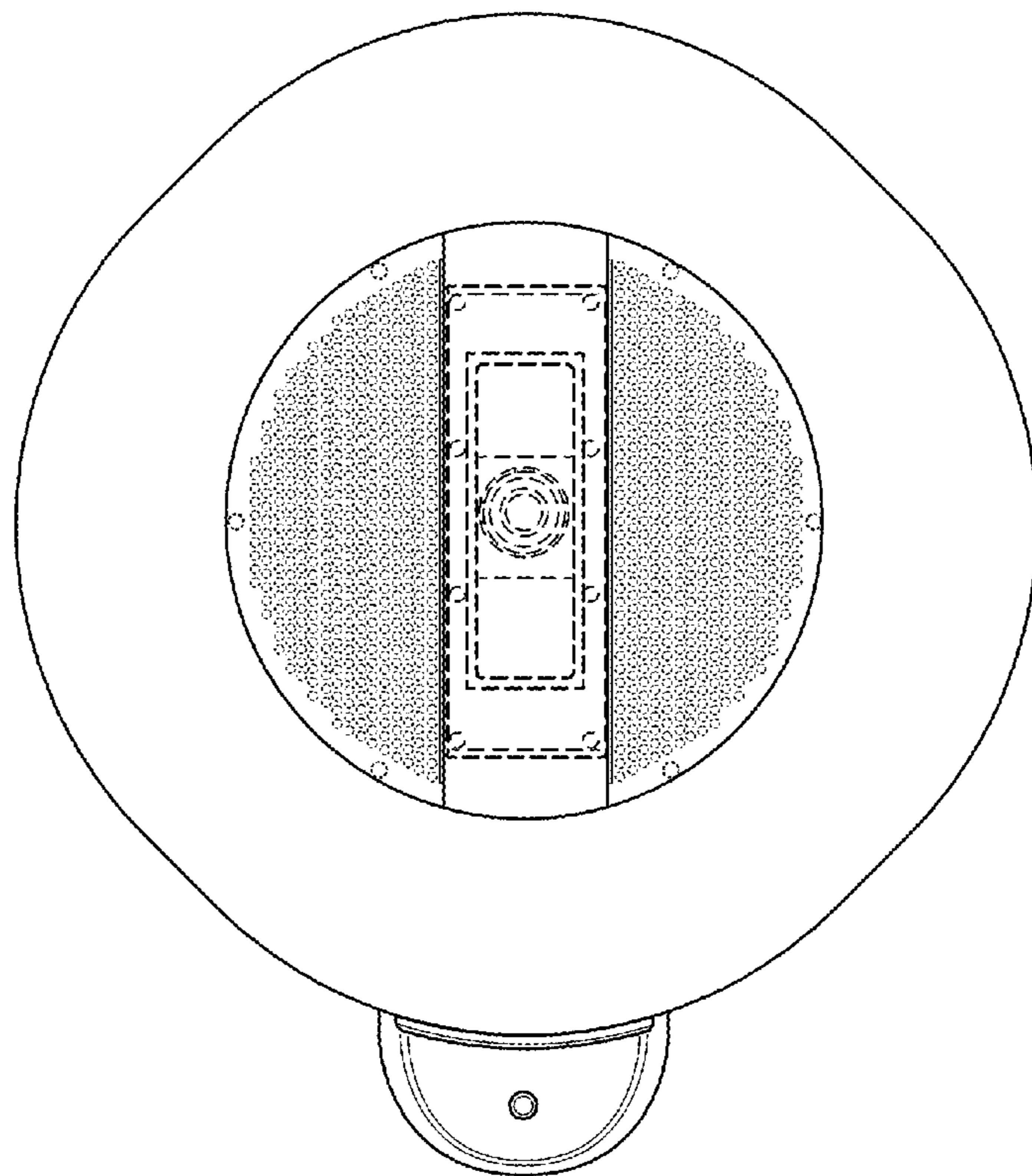


FIG. 13

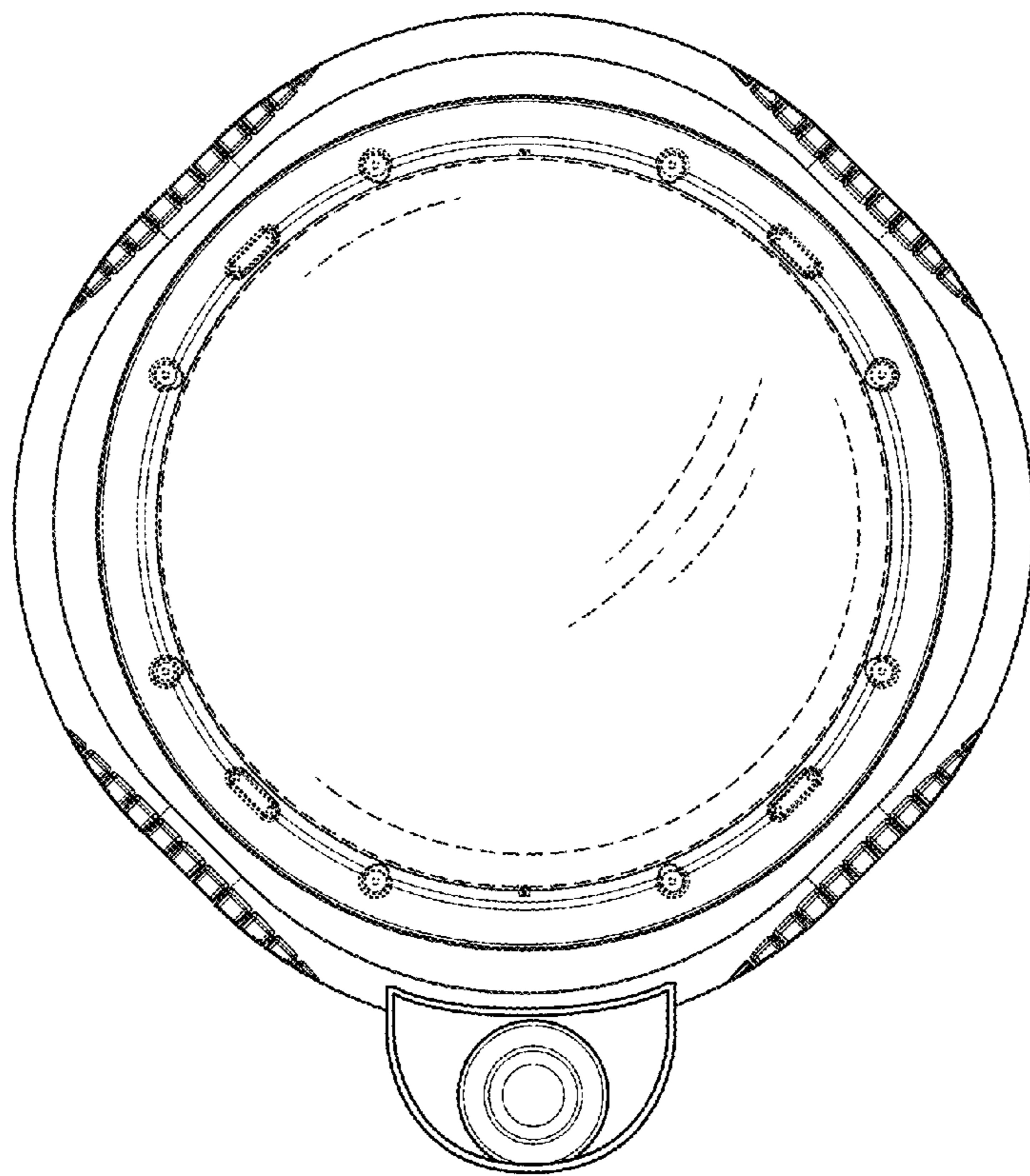


FIG. 14