



US00D713988S

(12) **United States Design Patent**
Waldmann

(10) **Patent No.:** **US D713,988 S**

(45) **Date of Patent:** **** Sep. 23, 2014**

(54) **LAMP**

(71) Applicant: **Gerhard Waldmann**, Stein am Rhein (CH)

(72) Inventor: **Gerhard Waldmann**, Stein am Rhein (CH)

(73) Assignee: **Herbert Waldmann GmbH & Co. KG**, Villingen-Schwenningen (DE)

(**) Term: **14 Years**

(21) Appl. No.: **29/480,715**

(22) Filed: **Jan. 29, 2014**

D187,616 S *	4/1960	Husby	D26/71
D188,436 S *	7/1960	Budke	D26/77
D190,596 S *	6/1961	Franck	D26/76
D195,310 S *	5/1963	Zagel	D26/70
D195,583 S *	7/1963	Phillips	D26/71
3,183,346 A *	5/1965	Rodmaker et al.	362/218
D203,294 S *	12/1965	Cianca	D26/71
D207,551 S *	5/1967	Spaulding	D26/71
D492,809 S *	7/2004	Weitgasser	D26/76
D496,750 S *	9/2004	Waldmann	D26/78
D521,172 S *	5/2006	Chen	D26/76
D527,134 S *	8/2006	Bagen	D26/71
D530,038 S *	10/2006	Kotovskiy	D26/76
D543,305 S *	5/2007	Wang	D26/60
RE40,158 E *	3/2008	Weitgasser	D26/76
7,438,432 B2 *	10/2008	Yaphe et al.	362/147
D610,288 S *	2/2010	Boissevain	D26/71

(Continued)

Related U.S. Application Data

(62) Division of application No. 29/437,187, filed on Nov. 14, 2012.

Foreign Application Priority Data

Aug. 1, 2012 (WO) DM/079 007

(51) **LOC (10) Cl.** **26-03**

(52) **U.S. Cl.**
USPC **D26/92; D26/71**

(58) **Field of Classification Search**
USPC D26/72, 75-78, 80, 92, 118; 362/98,
362/147, 217.01, 218, 219, 223, 260, 294,
362/373
See application file for complete search history.

References Cited

U.S. PATENT DOCUMENTS

D150,735 S *	8/1948	Schwartz	D26/78
D151,575 S *	10/1948	Winkler	D26/77
D186,129 S *	9/1959	Spaulding	D26/76
D186,952 S *	12/1959	Akely	D26/76

Primary Examiner — Clare E Heflin

(74) *Attorney, Agent, or Firm* — Andrew F. Young, Esq.; Lackenbach Siegel, LLP

(57) **CLAIM**

The ornamental design for a lamp, as shown and described.

DESCRIPTION

FIG. 1 is a front perspective view of the present invention.

FIG. 2 is a bottom plan view of FIG. 1.

FIG. 3 is a right side elevation view of FIG. 1.

FIG. 4 is a left side elevation view of FIG. 1.

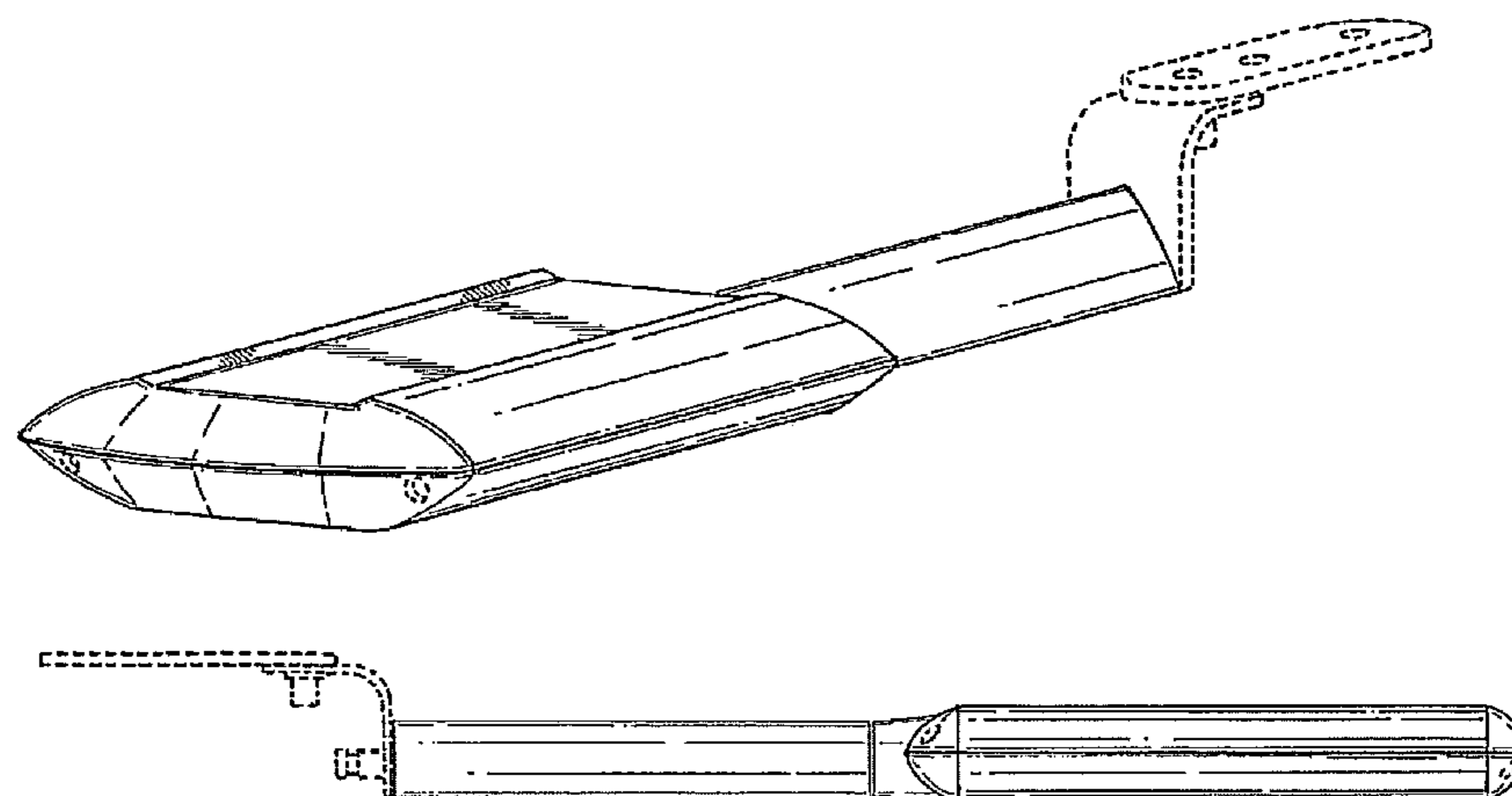
FIG. 5 is a front elevation view of FIG. 1.

FIG. 6 is a rear elevation view of FIG. 1; and,

FIG. 7 is a top plan view of FIG. 1.

The surfaces are lined for contour only and no claim is made to any particular surface texture. The dashed lines indicated disclaimed portions of the design, and no claim is made to the designated portions indicated by dashed lines, including without limitation pivot and support members, support elements, screw or bolt members and recesses, switch-regions and the light element surface itself.

1 Claim, 4 Drawing Sheets



(56)

References Cited

U.S. PATENT DOCUMENTS

D645,194 S * 9/2011 Budike et al. D26/76
D648,474 S * 11/2011 Wong et al. D26/71
D663,879 S * 7/2012 Lee et al. D26/71

D663,882 S * 7/2012 Muraishi et al. D26/76
D664,696 S * 7/2012 Lee et al. D26/71
D691,759 S * 10/2013 Boyer et al. D26/71
D695,943 S * 12/2013 Duquette et al. D26/87

* cited by examiner

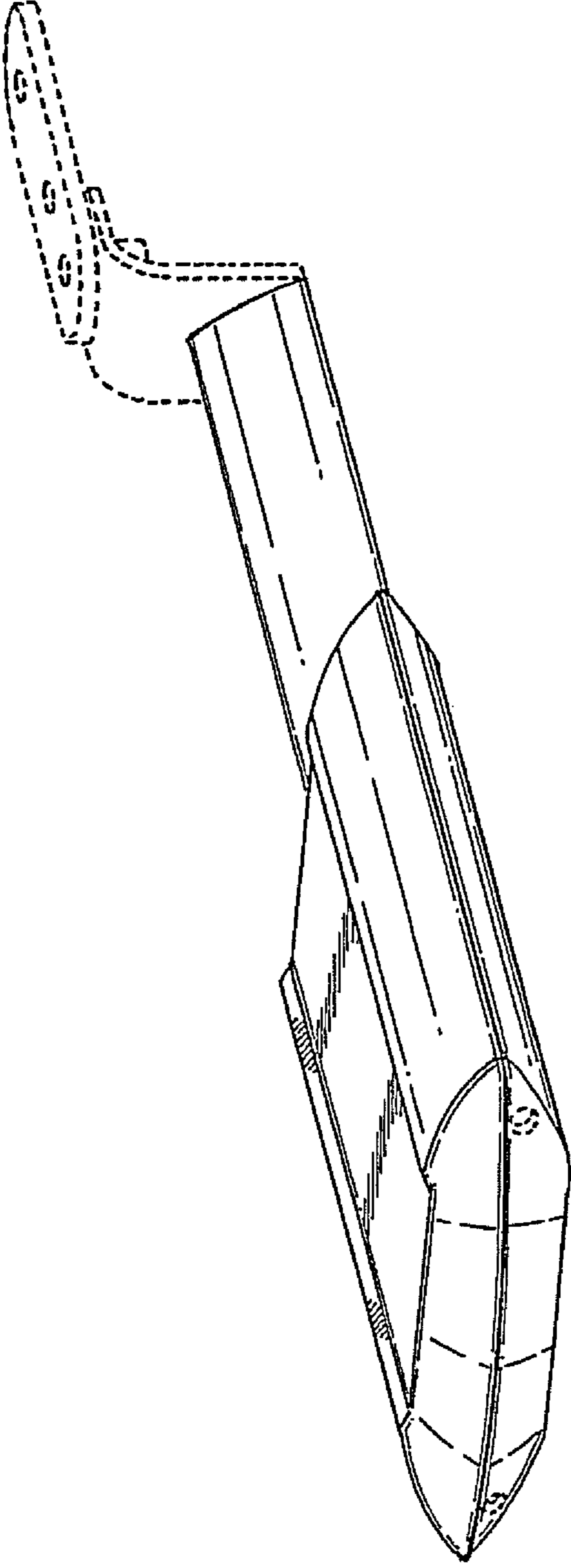


FIG. 1

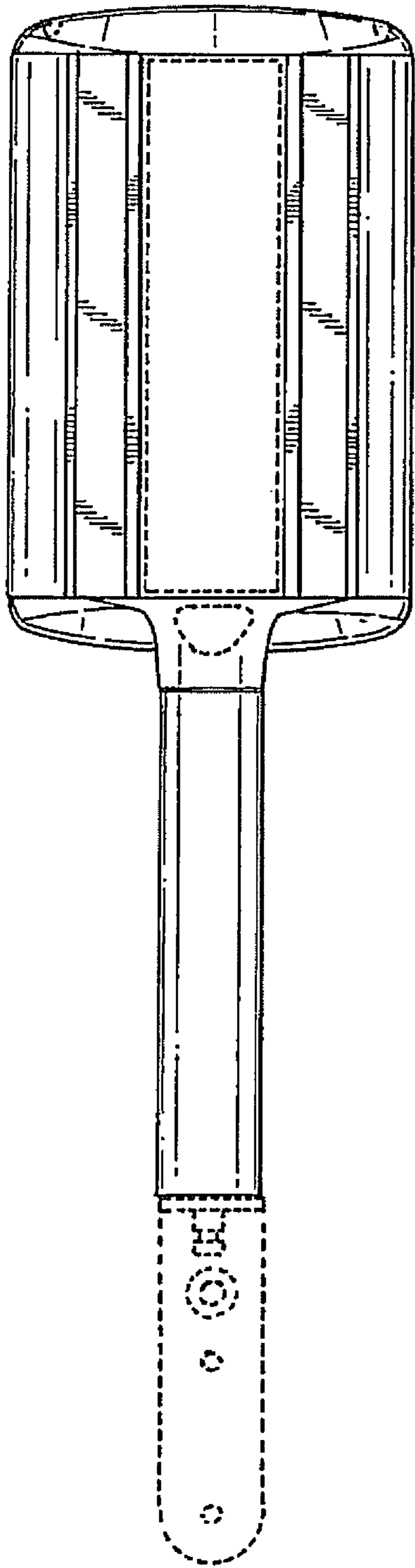


FIG. 2



FIG. 3

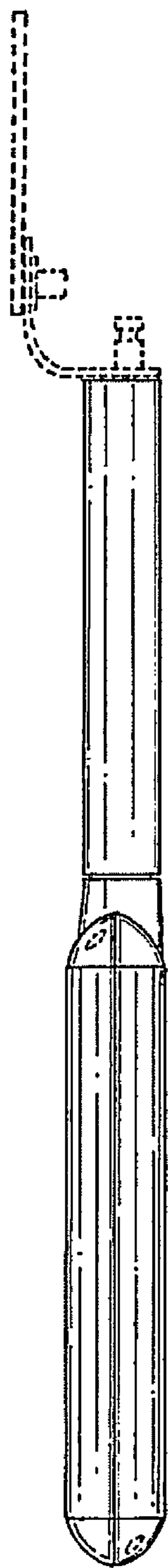


FIG. 4

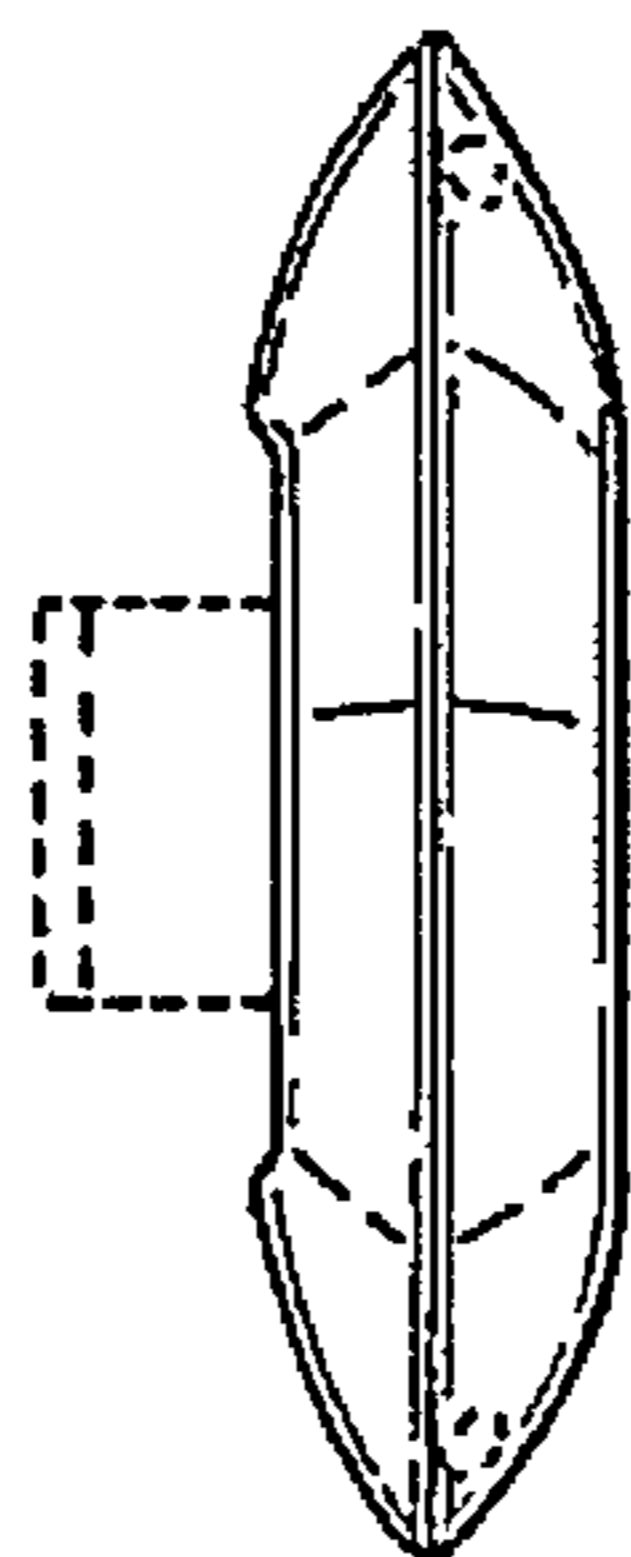


FIG. 5

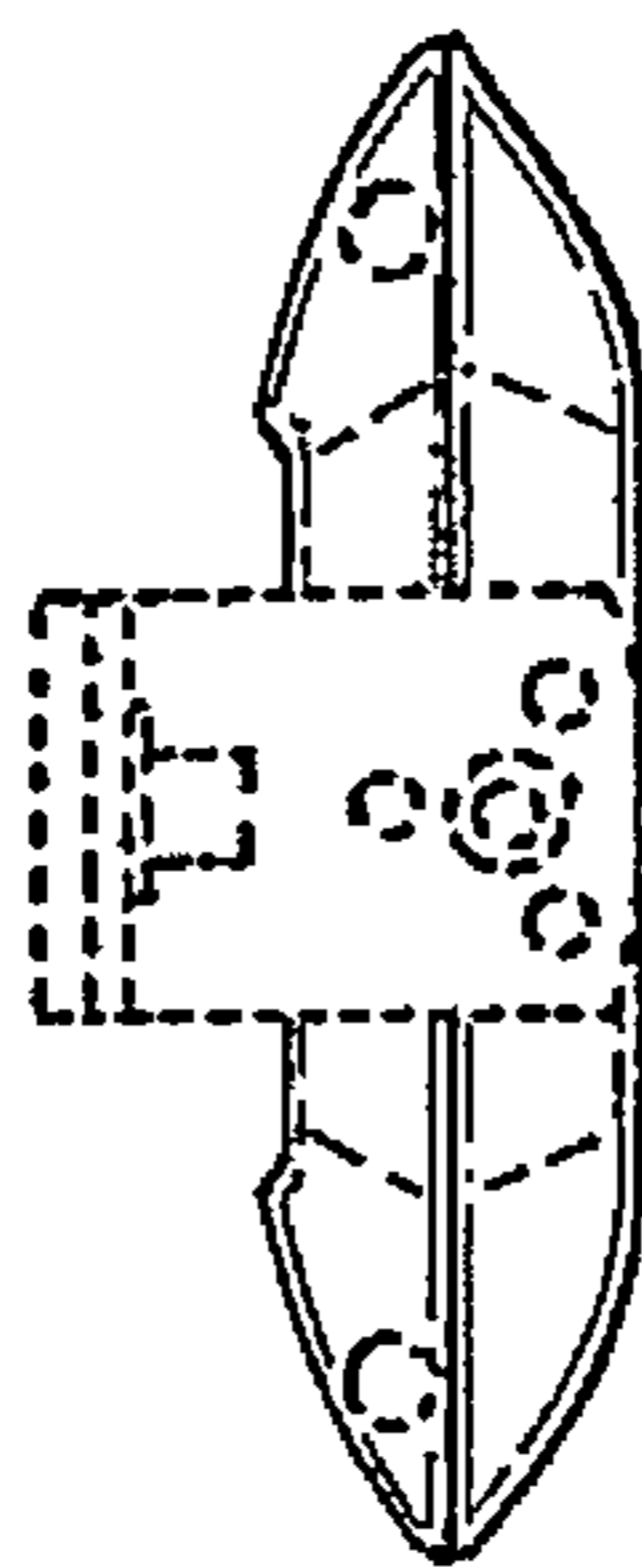


FIG. 6

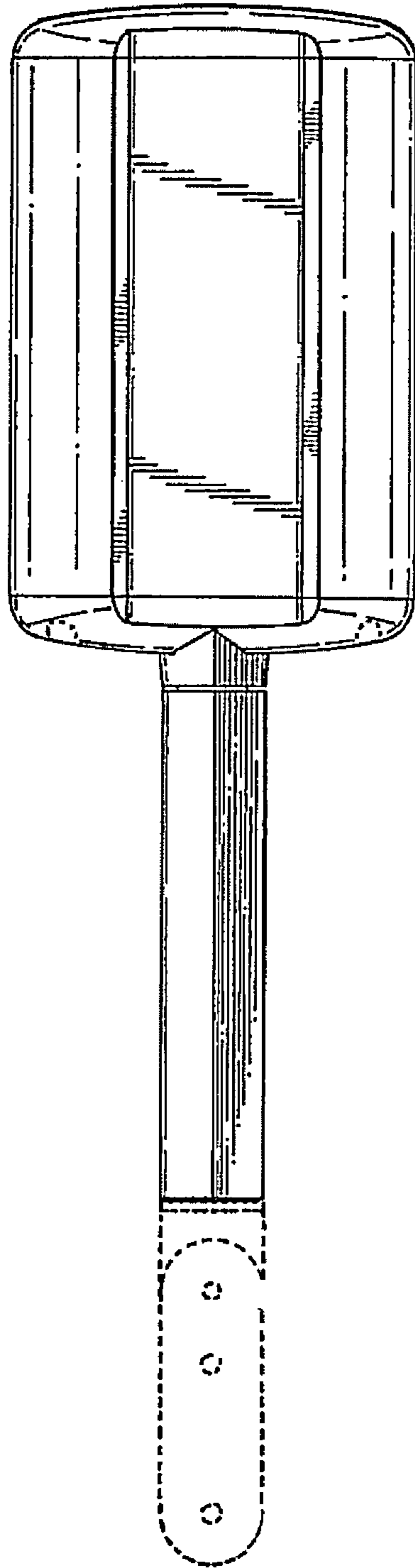


FIG. 7