



US00D713983S

(12) **United States Design Patent**
Yang

(10) **Patent No.:** **US D713,983 S**

(45) **Date of Patent:** **** Sep. 23, 2014**

(54) **LAMP**

(71) Applicant: **Yuyao Splendid Lighting Technology Co., Ltd, Yuyao (CN)**

(72) Inventor: **Zhongbing Yang, Yuyao (CN)**

(73) Assignee: **Yuyao Splendid Lighting Technology Co., Ltd., Yuyao (CN)**

(**) Term: **14 Years**

(21) Appl. No.: **29/478,770**

(22) Filed: **Jan. 8, 2014**

(30) **Foreign Application Priority Data**

Dec. 4, 2013 (CN) 2013 3 0597644

(51) **LOC (10) Cl.** **26-05**

(52) **U.S. Cl.**
USPC **D26/63**

(58) **Field of Classification Search**

CPC F21Y 2103/002; F21Y 2101/02; F21S 10/00; F21V 21/30; F21V 14/02; F21V 21/00
USPC D26/60-66, 72, 85, 87, 92, 86, 102; 362/145, 147, 269-271, 277, 282, 285, 362/289, 287, 640, 418, 427, 264, 294, 449, 362/268, 310, 311.01, 371-373

See application file for complete search history.

(56) **References Cited**

U.S. PATENT DOCUMENTS

D322,135 S *	12/1991	Wierzbicki et al.	D26/63
D645,184 S *	9/2011	Zhan	D26/63
D690,857 S *	10/2013	Blincoe et al.	D26/63
D693,397 S *	11/2013	Zhan	D26/63
D693,508 S *	11/2013	Fletcher et al.	D26/63
D695,435 S *	12/2013	Pedersen	D26/63
D699,877 S *	2/2014	Song et al.	D26/63
D700,726 S *	3/2014	Kim et al.	D26/63
D702,387 S *	4/2014	Pedersen	D26/63
D702,865 S *	4/2014	Yuen	D26/63
D704,370 S *	5/2014	Su	D26/63

* cited by examiner

Primary Examiner — Brian N Vinson

(74) *Attorney, Agent, or Firm* — Hamre, Schumann, Mueller & Larson, P.C.

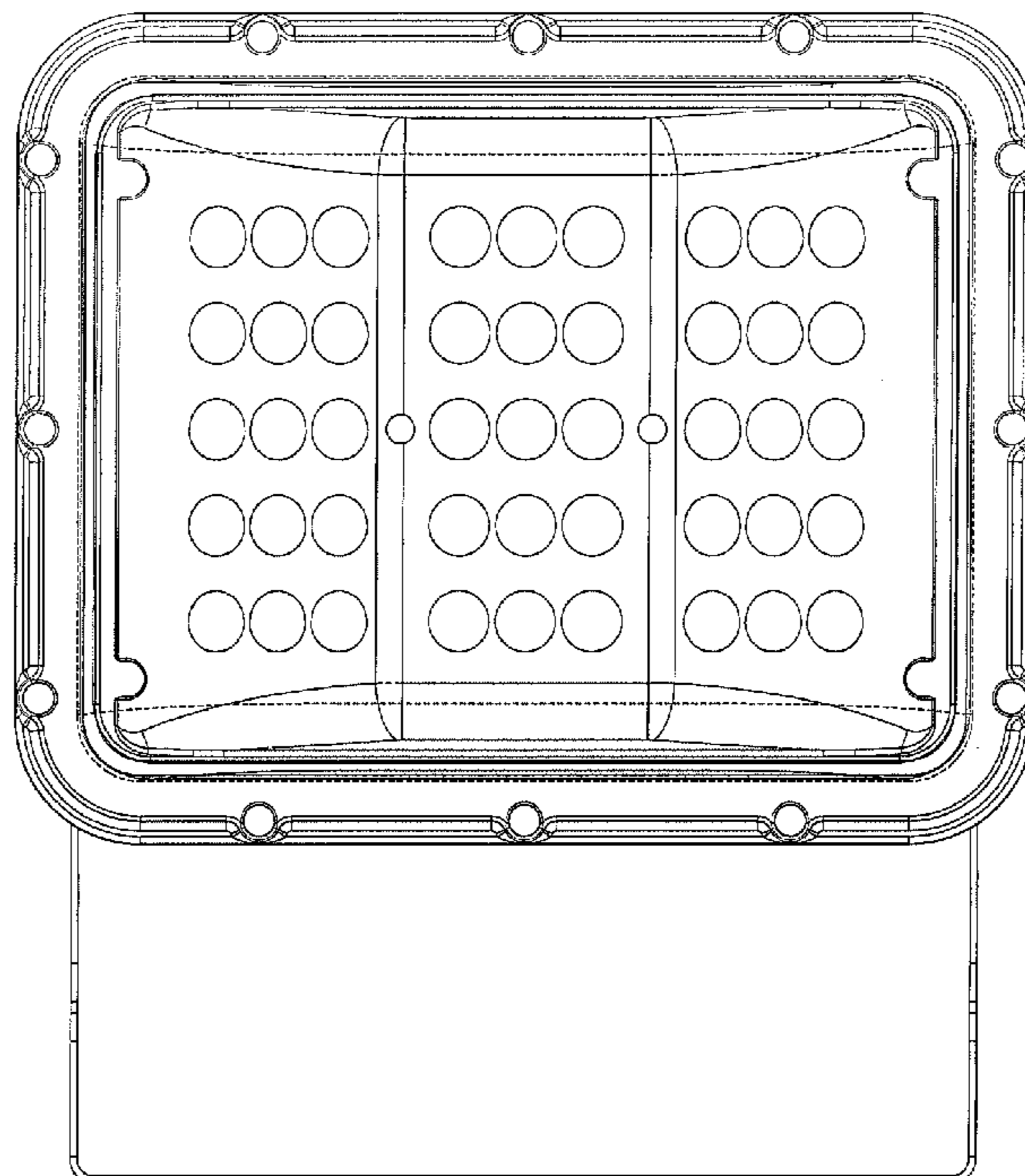
(57) **CLAIM**

The ornamental design for a lamp, as shown and described.

DESCRIPTION

FIG. 1 is a front view of a lamp;
FIG. 2 is a rear view thereof;
FIG. 3 is a left side view thereof;
FIG. 4 is a right side view thereof;
FIG. 5 is a top view thereof;
FIG. 6 is a bottom view thereof;
FIG. 7 is a rear perspective view thereof; and,
FIG. 8 is a front perspective view thereof.
The broken-line disclosure represents unclaimed portions of the lamp in which the claimed design is embodied.

1 Claim, 7 Drawing Sheets



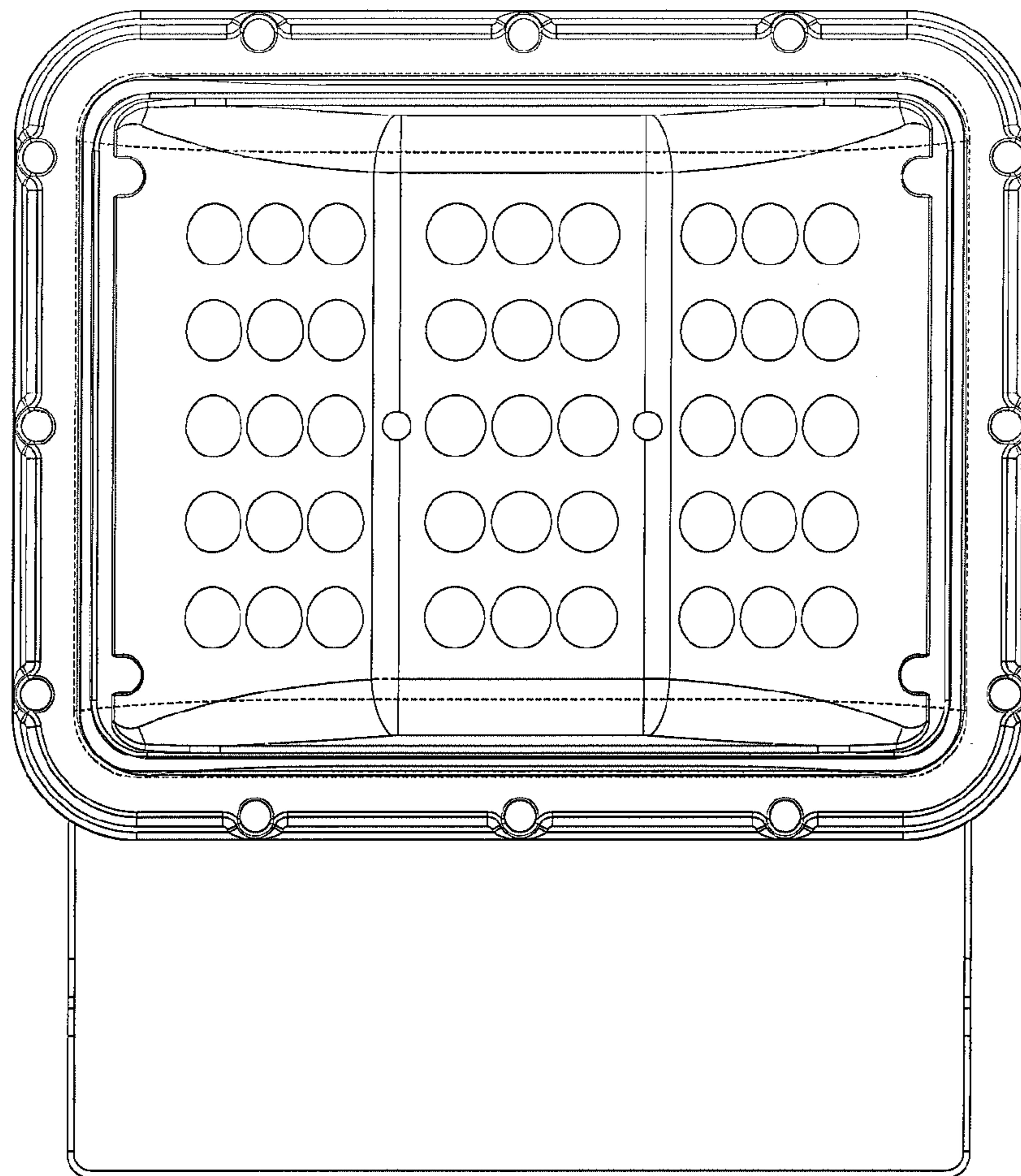


FIGURE 1

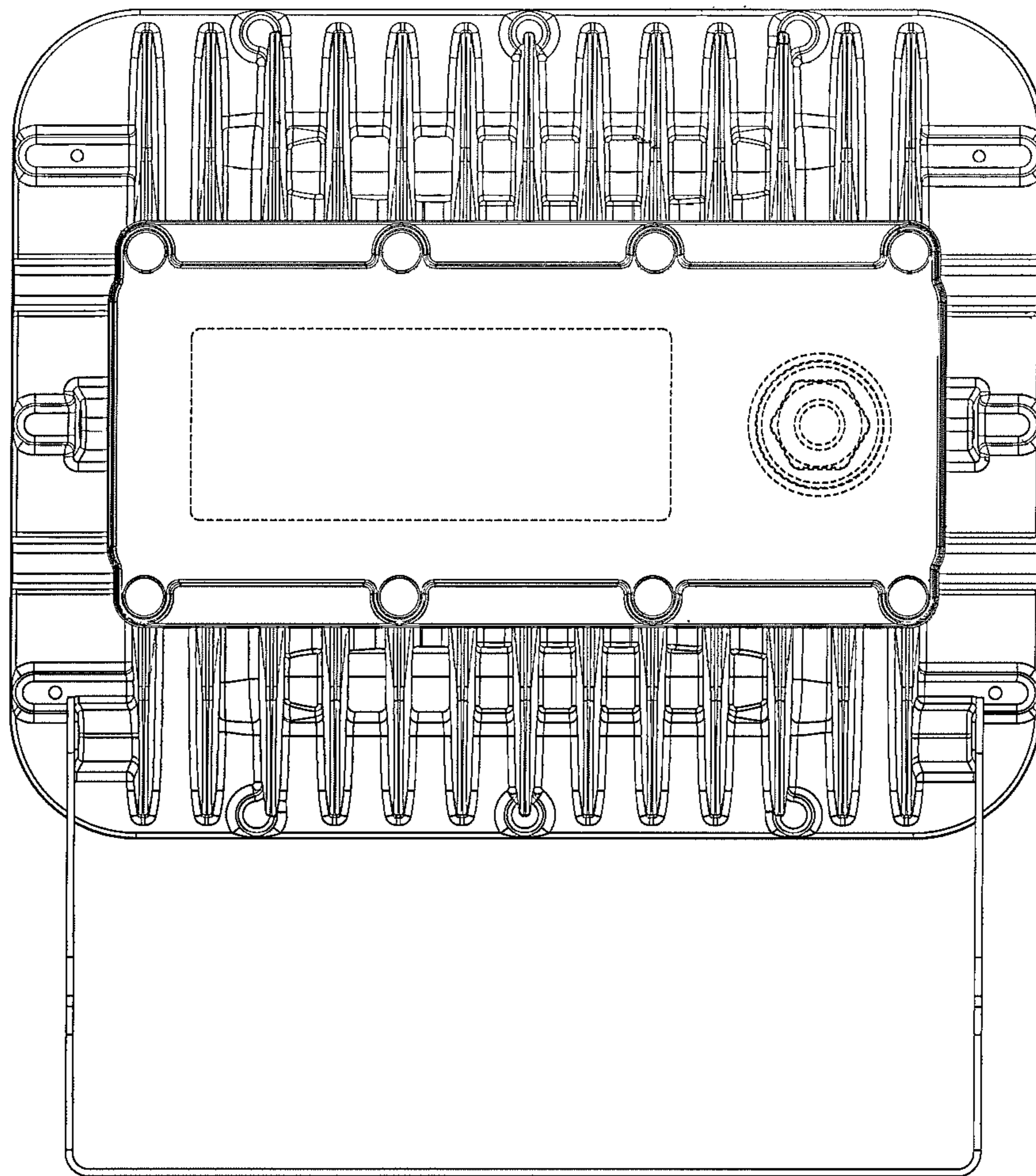


FIGURE 2

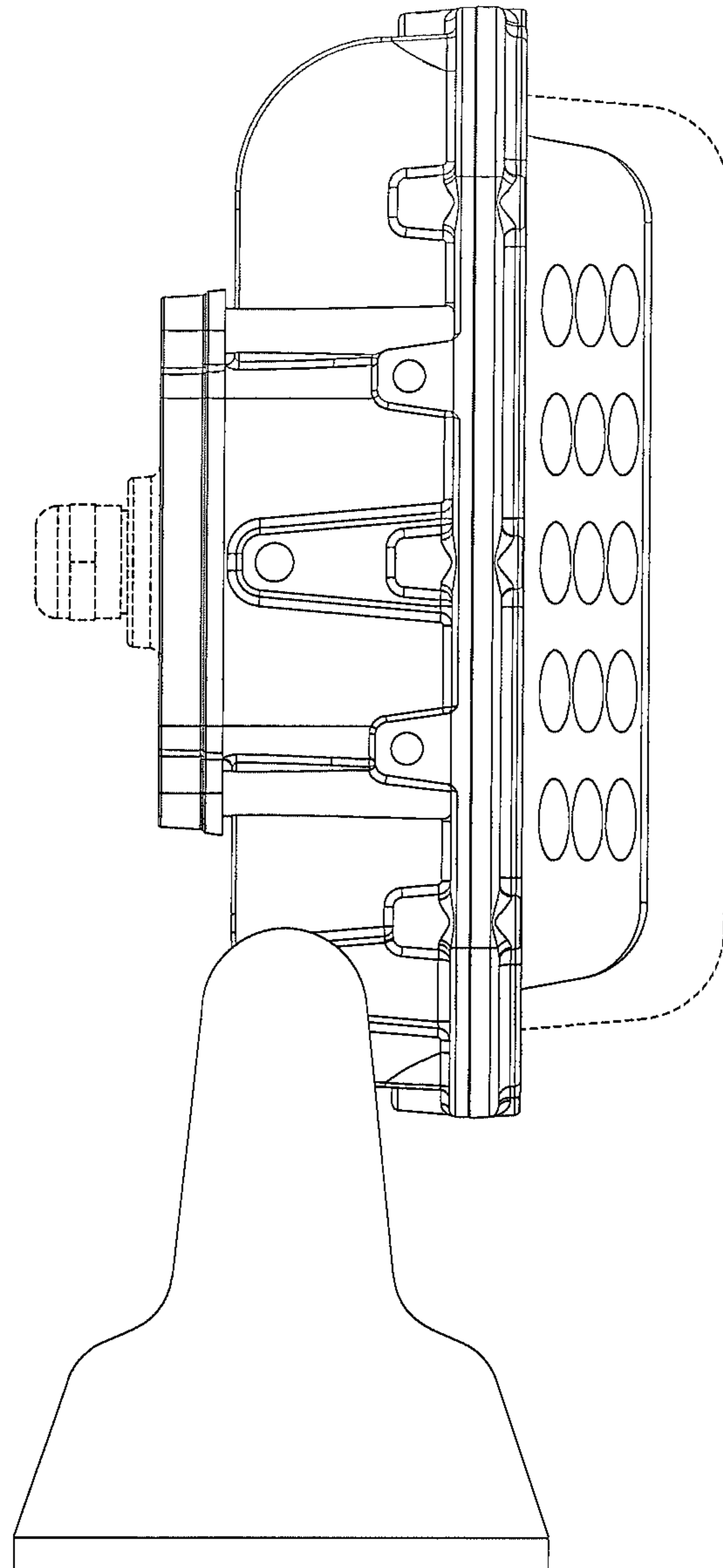


FIGURE 3

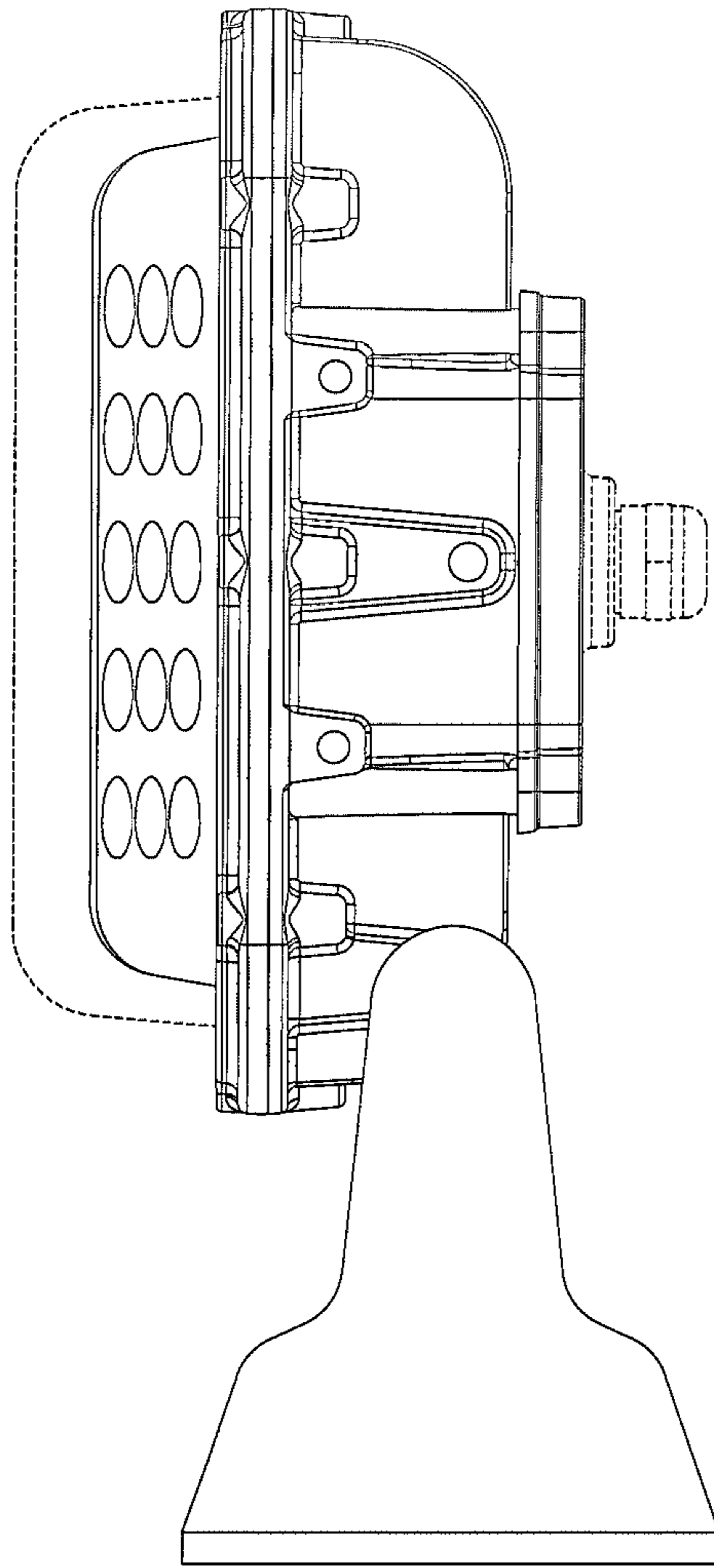


FIGURE 4

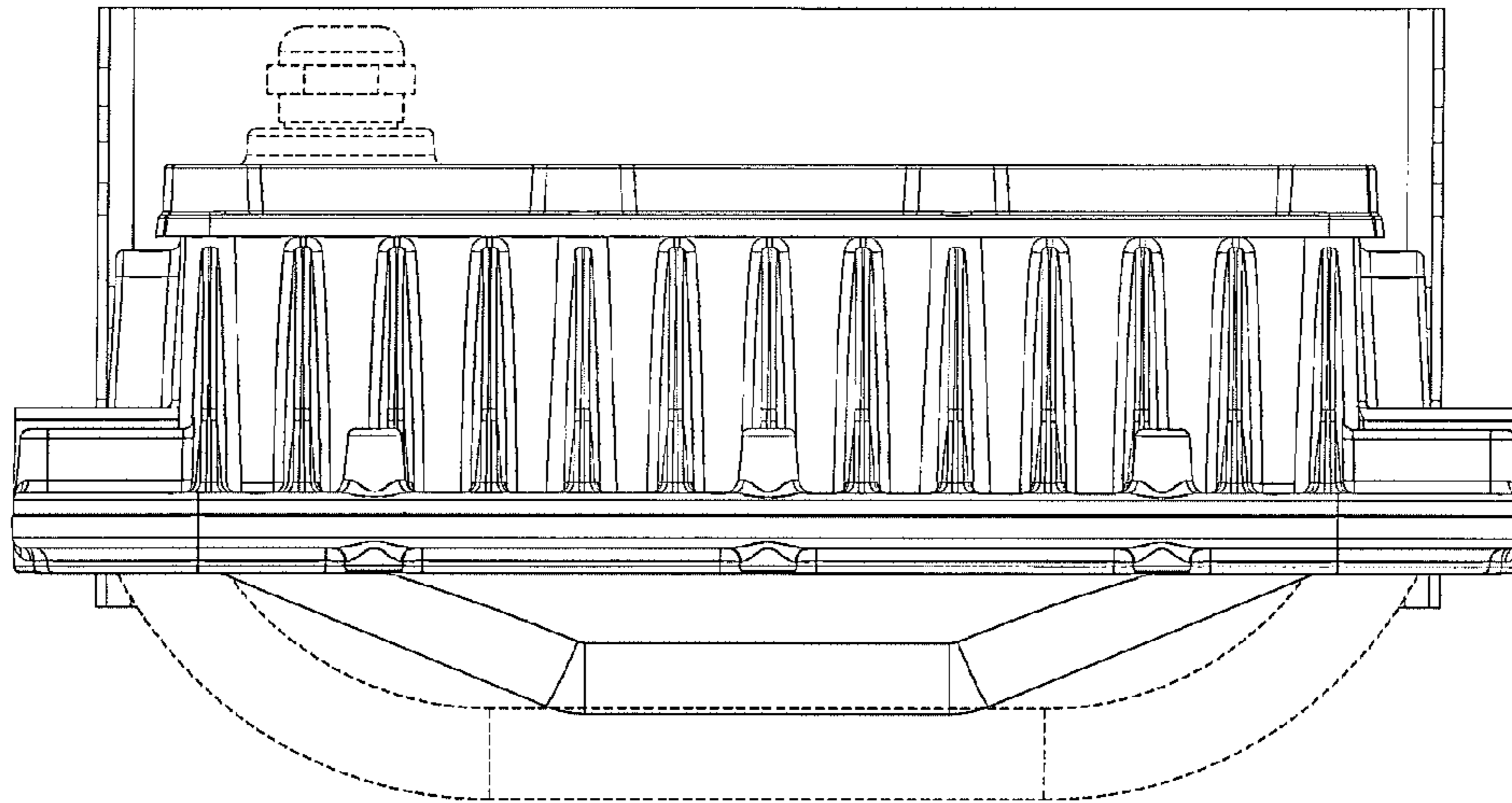


FIGURE 5

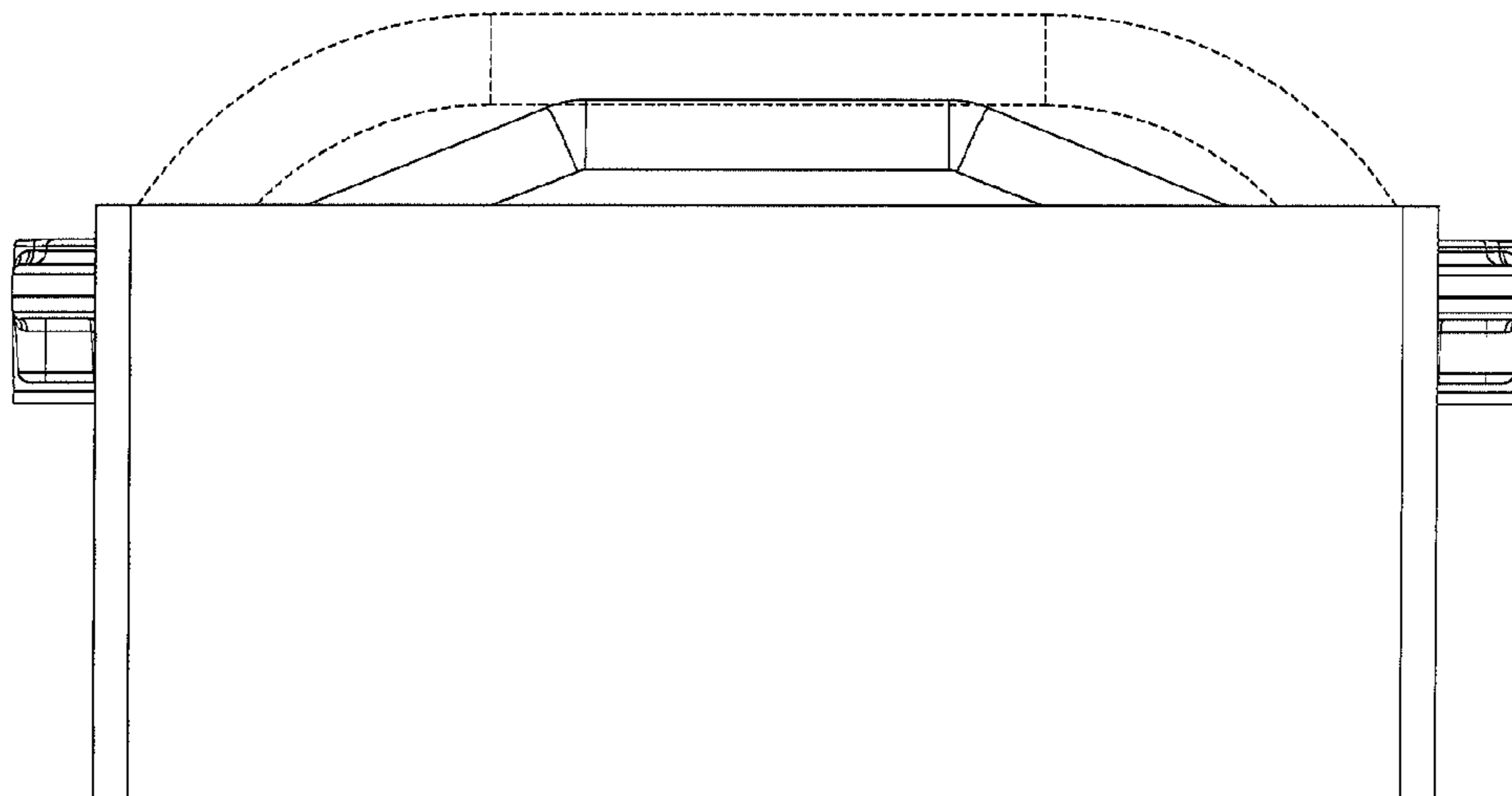


FIGURE 6

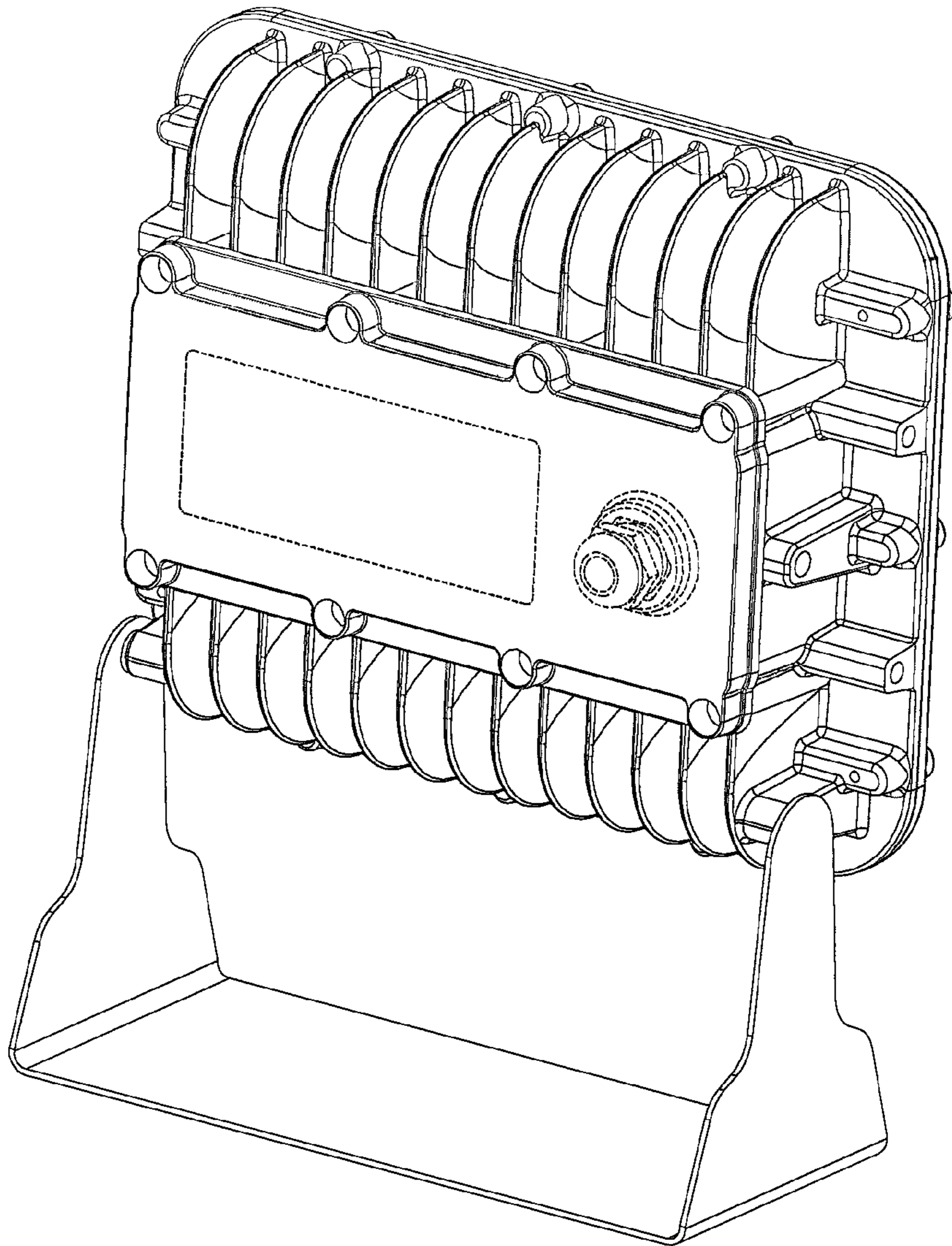


FIGURE 7

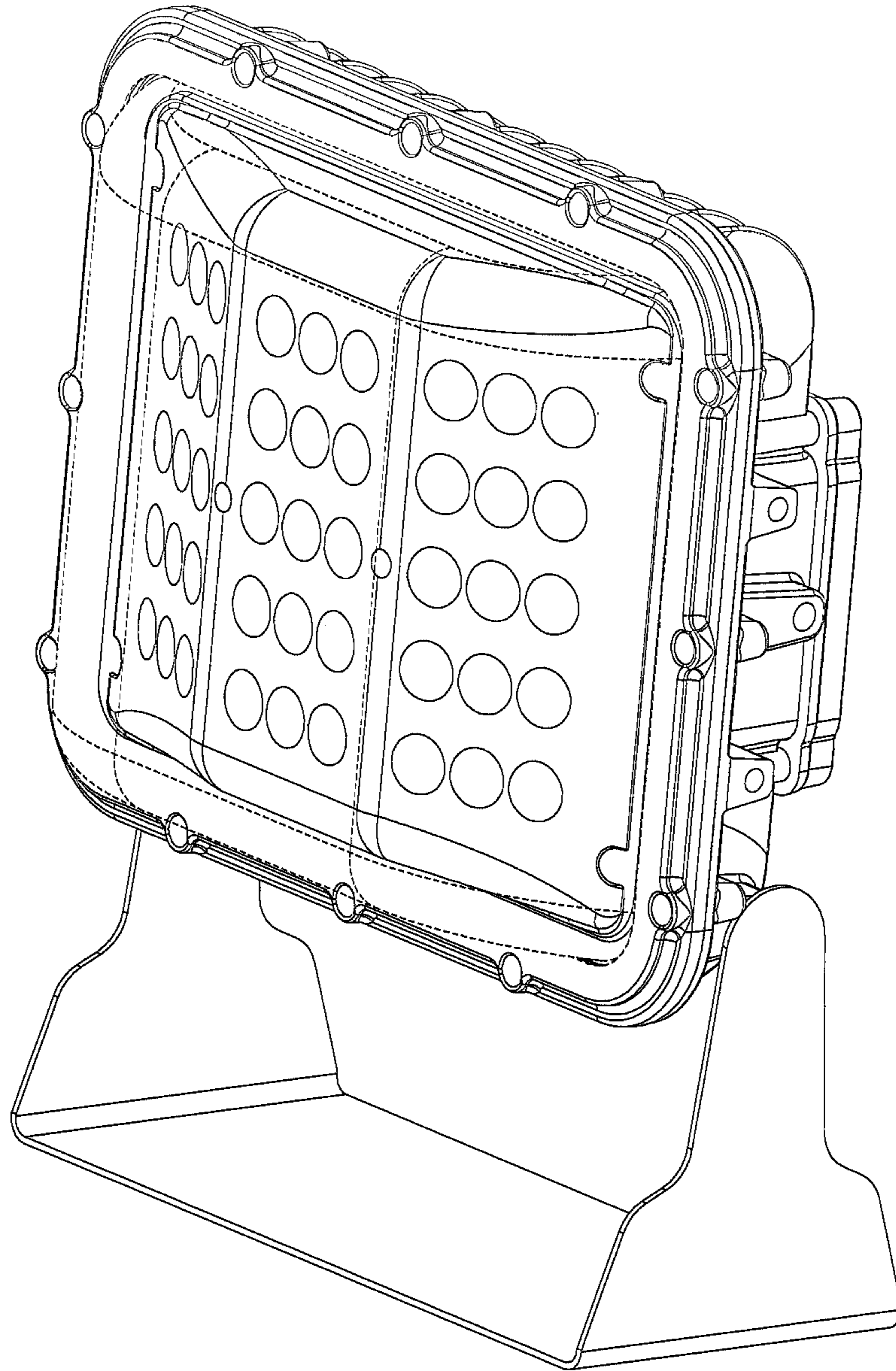


FIGURE 8