



US00D713982S

(12) **United States Design Patent**
Tompkin

(10) **Patent No.:** **US D713,982 S**

(45) **Date of Patent:** **** Sep. 23, 2014**

(54) **LANTERN**

(71) Applicant: **MerchSource, LLC**, Irvine, CA (US)

(72) Inventor: **Crispian Tompkin**, Los Angeles, CA (US)

(73) Assignee: **MerchSource, LLC**, Irvine, CA (US)

(**) Term: **14 Years**

(21) Appl. No.: **29/444,276**

(22) Filed: **Jan. 29, 2013**

(51) **LOC (10) Cl.** **26-02**

(52) **U.S. Cl.**
USPC **D26/49**

(58) **Field of Classification Search**
USPC D26/37, 38, 40, 41, 44, 45, 46, 49;
362/157, 158, 183, 184, 171-174,
362/194-196, 200-208

See application file for complete search history.

(56) **References Cited**

U.S. PATENT DOCUMENTS

| | | | | |
|-----------|------|---------|--------------------|---------|
| 1,248,688 | A | 12/1917 | Ludescher | |
| D152,956 | S | 3/1949 | Garlinski | |
| 4,447,863 | A | 5/1984 | Fenne | |
| D321,568 | S | 11/1991 | Yuen | |
| 5,142,467 | A | 8/1992 | Yuen | |
| 5,384,609 | A * | 1/1995 | Ogawa et al. | 396/419 |
| D505,218 | S * | 5/2005 | Van Deursen | D26/49 |
| D546,489 | S * | 7/2007 | Yuen | D26/42 |
| D553,272 | S | 10/2007 | Leung | |
| D554,788 | S * | 11/2007 | Chapman | D26/49 |
| 7,296,909 | B2 * | 11/2007 | Van Deursen et al. | 362/199 |
| D562,480 | S * | 2/2008 | Spartano et al. | D26/46 |
| 7,342,360 | B2 | 3/2008 | Van Duersen et al. | |
| 7,364,320 | B2 | 4/2008 | Van Duersen et al. | |
| D577,450 | S * | 9/2008 | Shiu | D26/49 |
| D593,240 | S * | 5/2009 | Caniparoli | D26/49 |
| 7,635,197 | B2 | 12/2009 | Man | |

| | | | | |
|-----------|-----|---------|---------------|--------|
| D607,591 | S * | 1/2010 | Rivera et al. | D26/49 |
| D610,728 | S * | 2/2010 | Baker et al. | D26/49 |
| D623,785 | S * | 9/2010 | Wessel | D26/49 |
| D623,786 | S * | 9/2010 | Wessel | D26/49 |
| D625,035 | S | 10/2010 | Vanderbeek | |
| 7,850,332 | B2 | 12/2010 | Opolka | |

(Continued)

OTHER PUBLICATIONS

Stanley; http://www.amazon.com/Stanley-95-112B-Tripod-LED-Flashlight/dp/B000CC2KP4/ref=sr_1_1?ie=UTF8&qid=1367516797&sr=8-1&keywords=tripod+flashlight+stanley; undated.

(Continued)

Primary Examiner — Ian Simmons

Assistant Examiner — Carissa C Fitts

(74) *Attorney, Agent, or Firm* — The Eclipse Group LLP

(57) **CLAIM**

I claim the ornamental design for a lantern, as shown and described.

DESCRIPTION

FIG. 1 is a front perspective view of a lantern.

FIG. 2 is a front elevation view of the lantern.

FIG. 3 is a rear view of the lantern.

FIG. 4 is a side view of the left side of the lantern.

FIG. 5 is a side view of the right side of the lantern.

FIG. 6 is a plan view of the lantern.

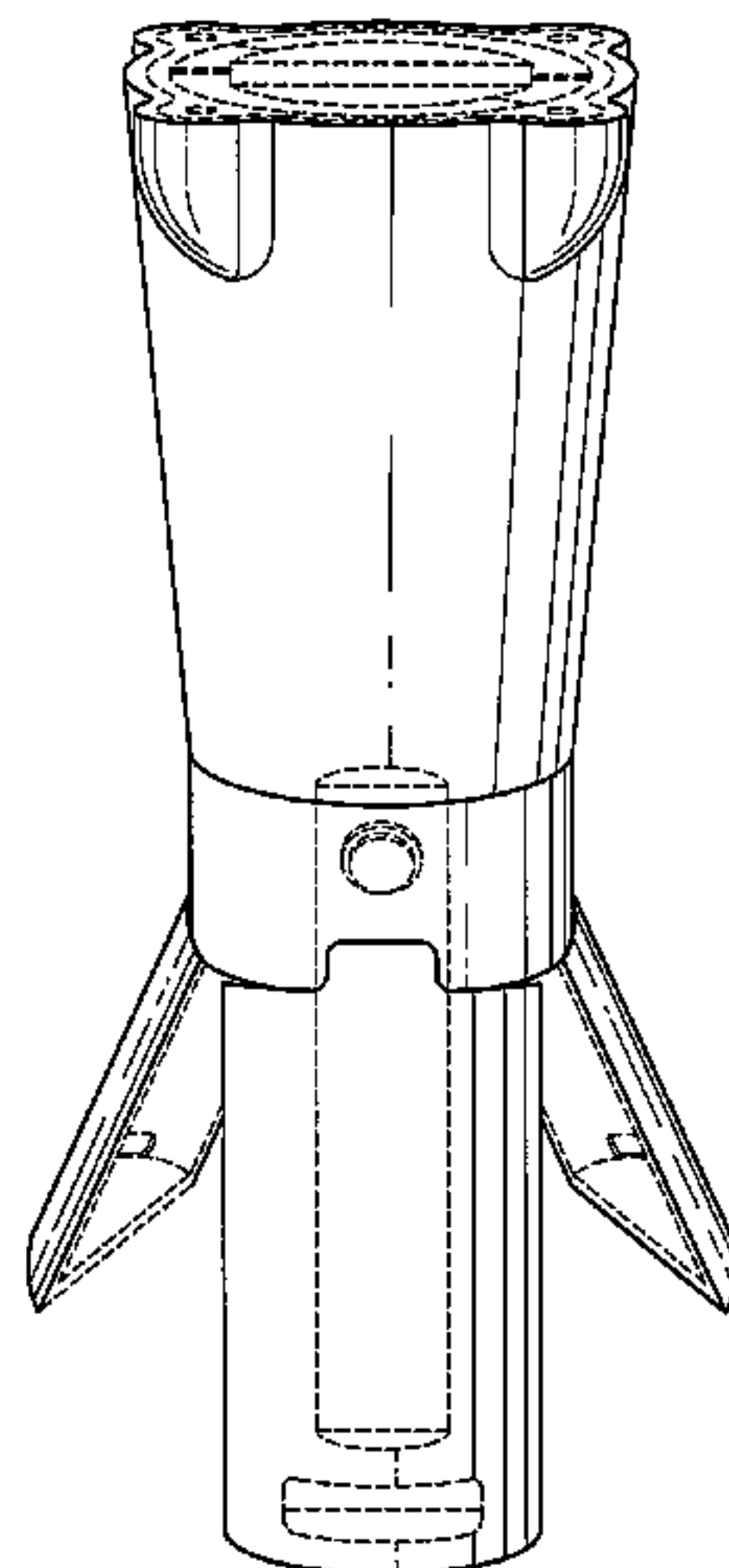
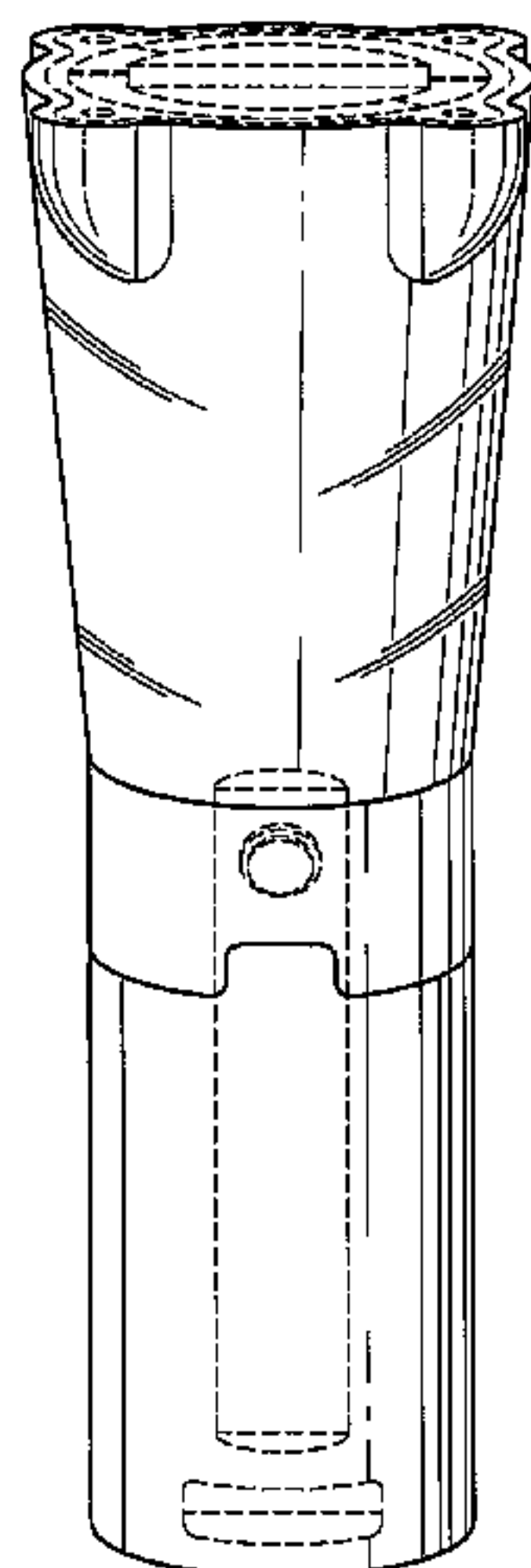
FIG. 7 is a bottom view of the lantern.

FIG. 8 is a front perspective view of the lantern showing the legs of the lantern in an open position; and,

FIG. 9 is a rear perspective view of the lantern showing the legs of the lantern in an open position.

The broken lines immediately adjacent to the shaded areas represent the boundaries of the claimed design. None of the broken lines form part of the claimed design.

1 Claim, 6 Drawing Sheets



(56)

References Cited

U.S. PATENT DOCUMENTS

| | | | | |
|--------------|------|---------|-----------------------|---------|
| D632,411 | S | 2/2011 | Vanderbeek | |
| D646,007 | S * | 9/2011 | Tompkin | D26/46 |
| 8,087,797 | B2 * | 1/2012 | Pelletier et al. | 362/205 |
| 8,262,248 | B2 * | 9/2012 | Wessel | 362/198 |
| D687,583 | S * | 8/2013 | von Waldthausen | D26/46 |
| D693,951 | S * | 11/2013 | Rugendyke et al. | D26/46 |
| 2003/0067771 | A1 | 4/2003 | Kung | |
| 2010/0182777 | A1 | 7/2010 | Van Duersen | |
| 2011/0080725 | A1 | 4/2011 | Brands et al. | |
| 2011/0080736 | A1 | 4/2011 | Brands et al. | |

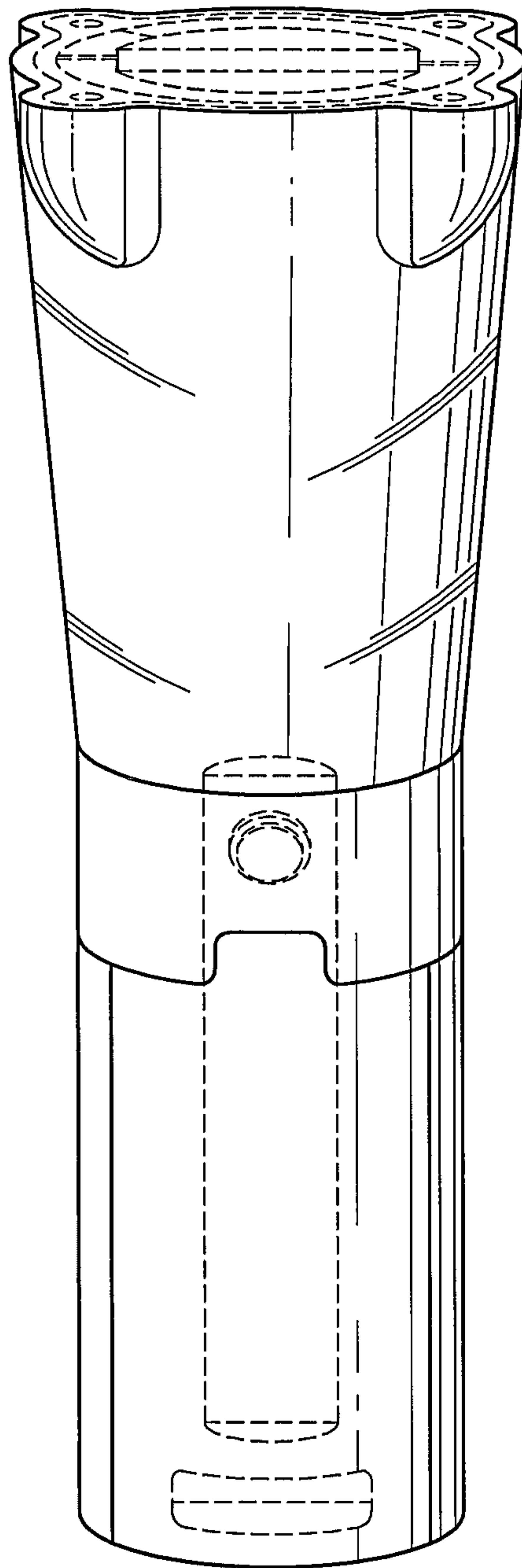
OTHER PUBLICATIONS

Remington; http://www.amazon.com/Remington-High-performance-3AAA-size-LED-Flashlight/dp/B001KYFZGO/ref=sr_1_4?ie=UTF8&qid=13675169178&sr=8-4
&keywords=remington+flashlight; undated.

Black Diamond; http://www.amazon.com/Black-Diamond-Equipment-Lantern-Chocolate/dp/B004AJK48K/ref=sr_1_1?ie=UTF8&qid=1367517452&sr=8-1&keywords=black+diamond+lantern;
undated.

* cited by examiner

FIG. 1



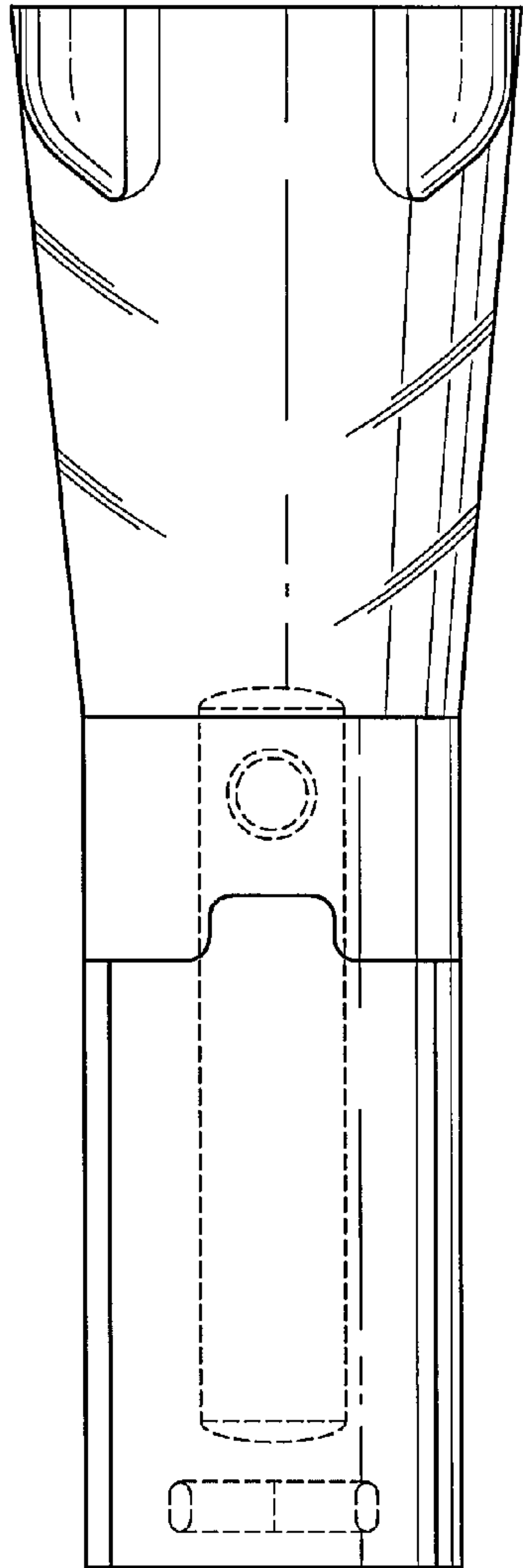


FIG. 2

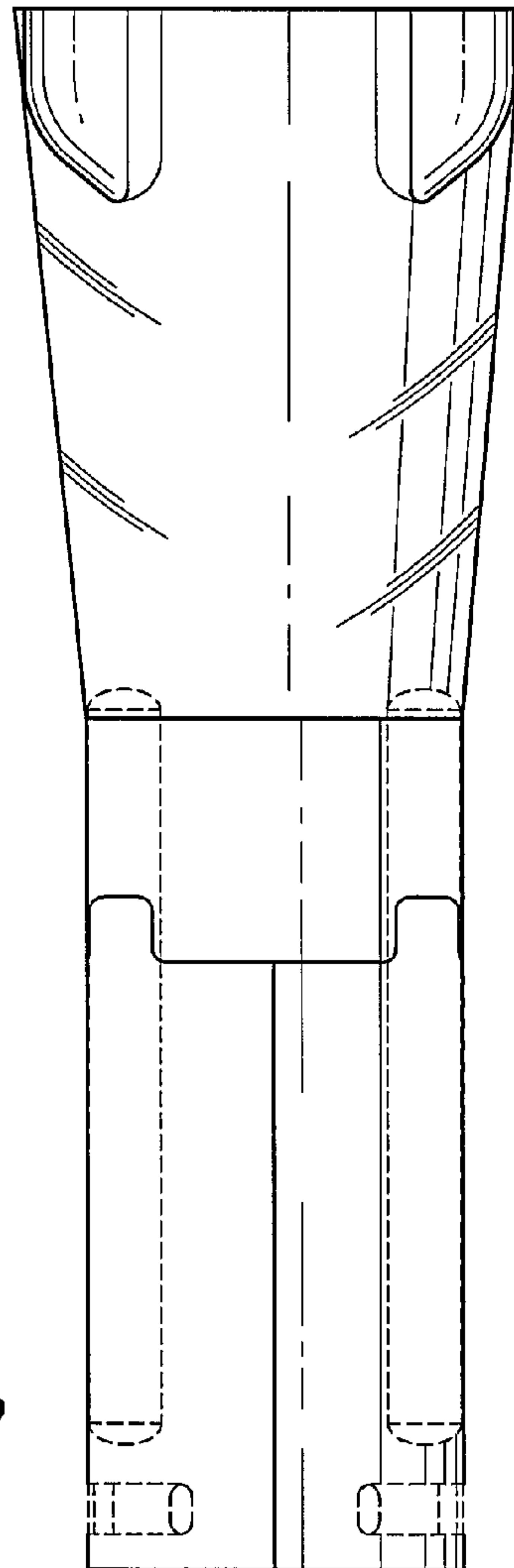


FIG. 3

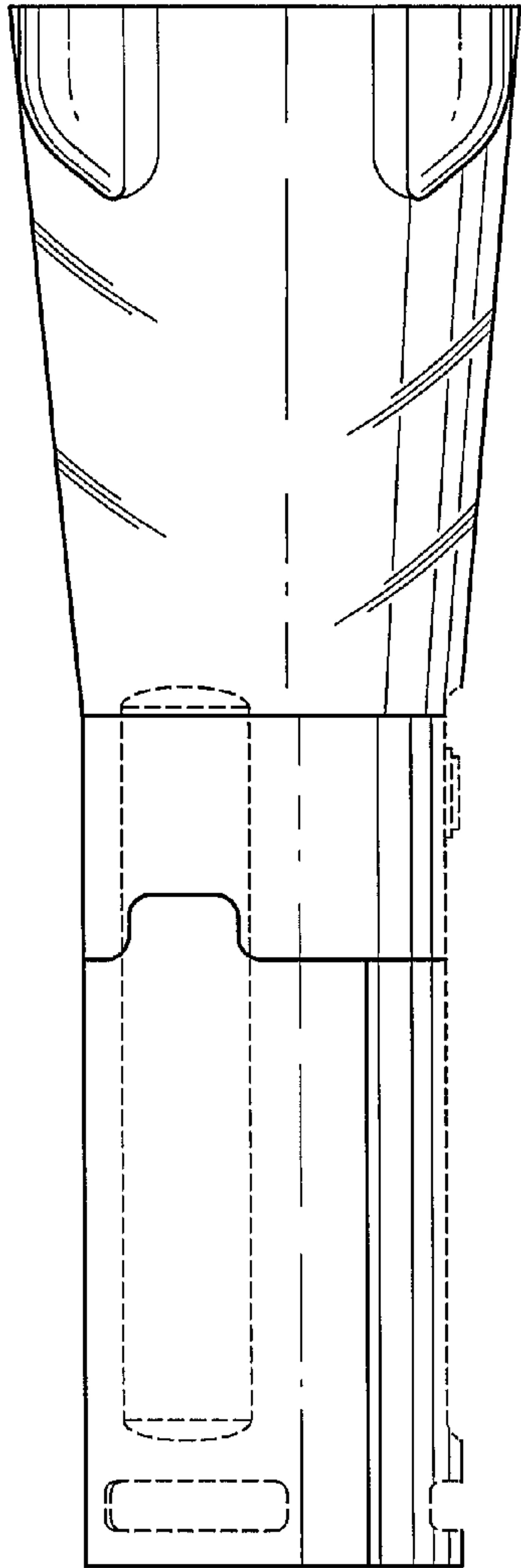


FIG. 4

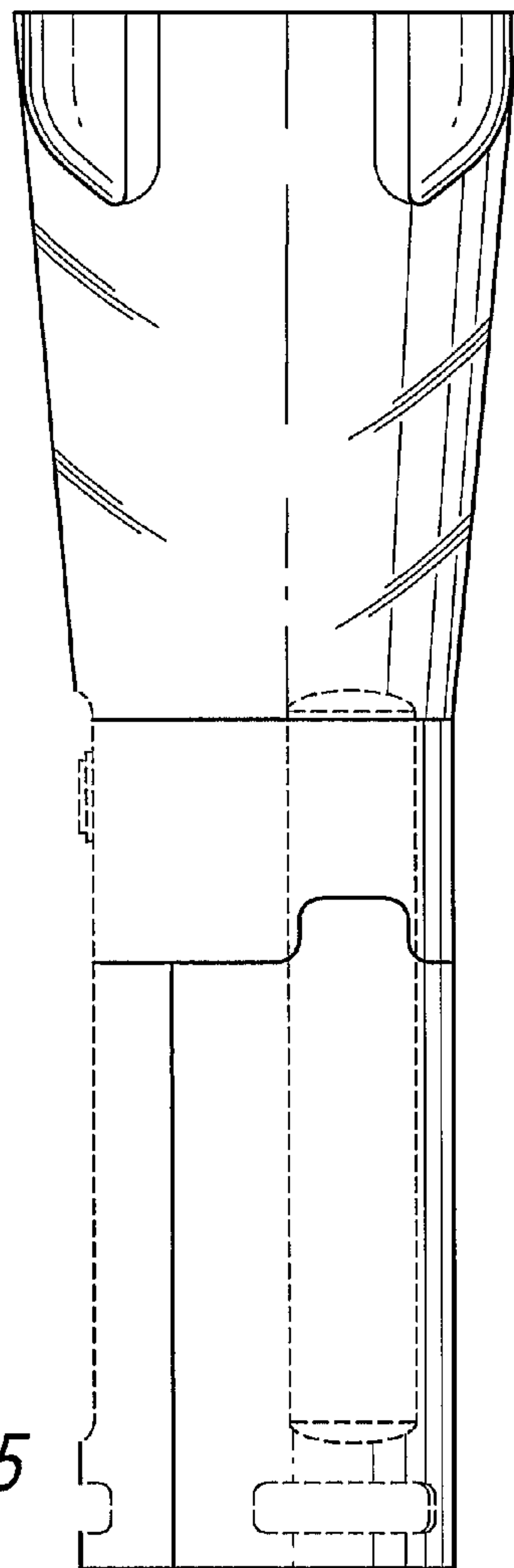


FIG. 5

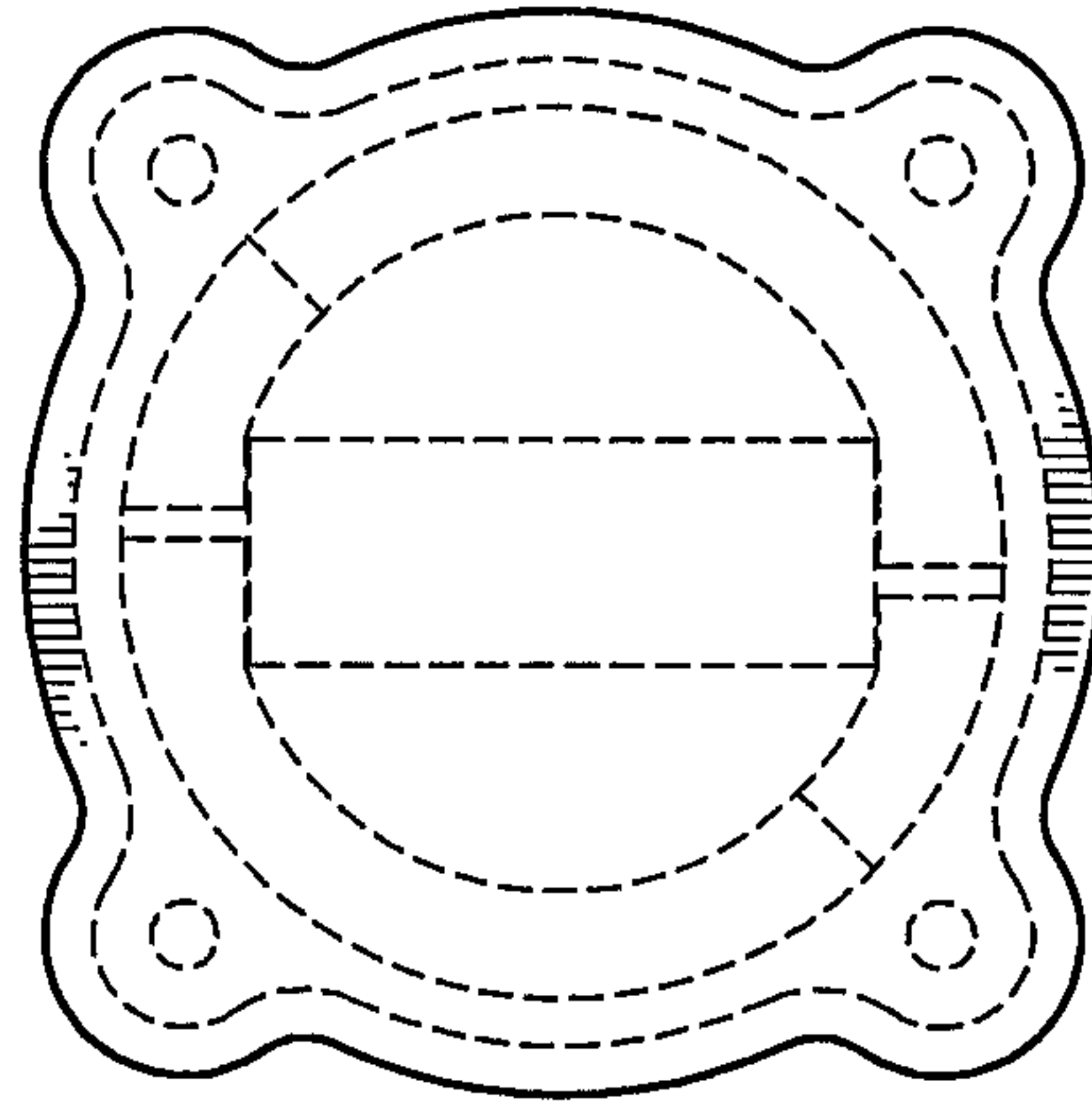


FIG. 6

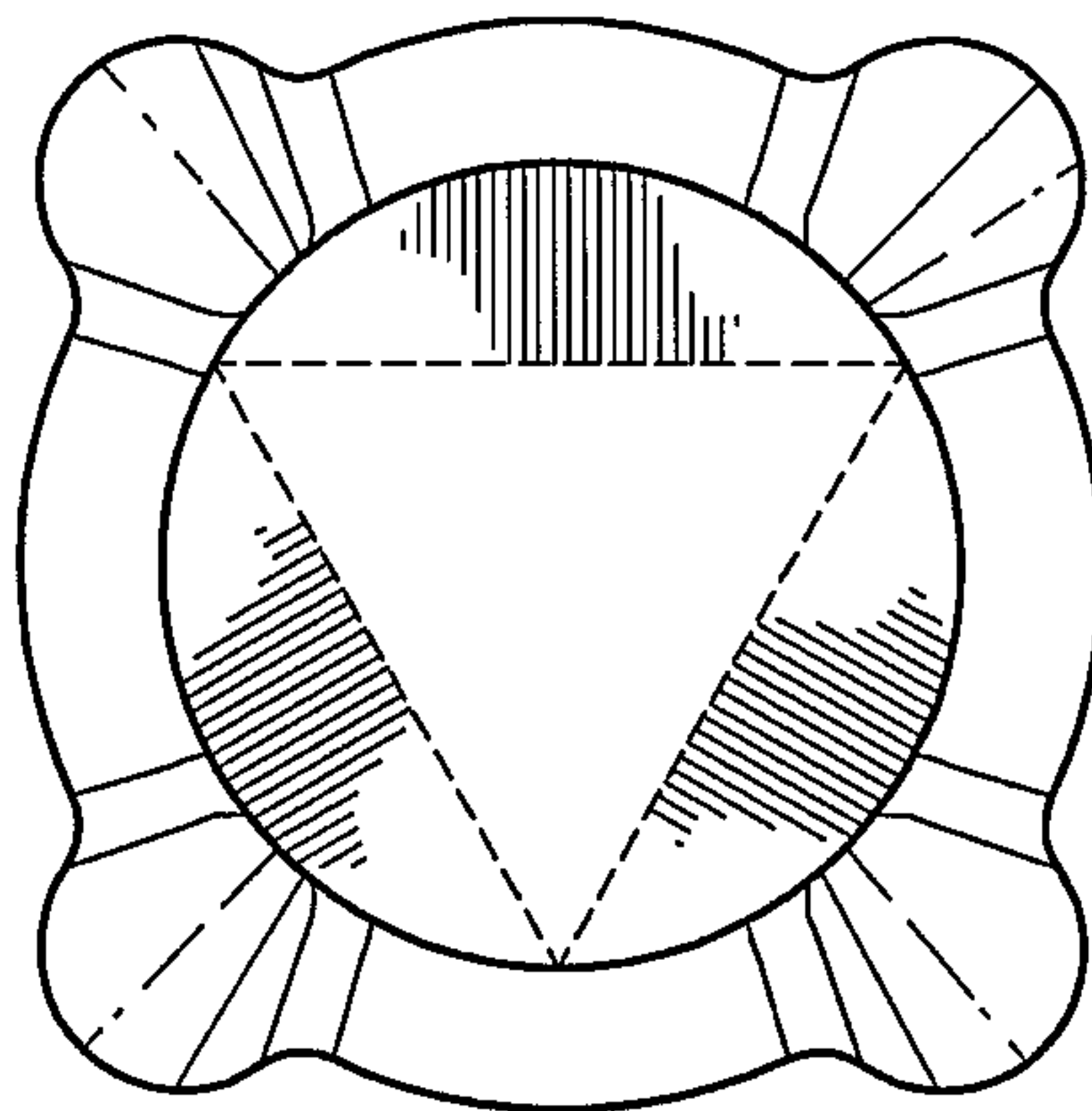


FIG. 7

FIG. 8

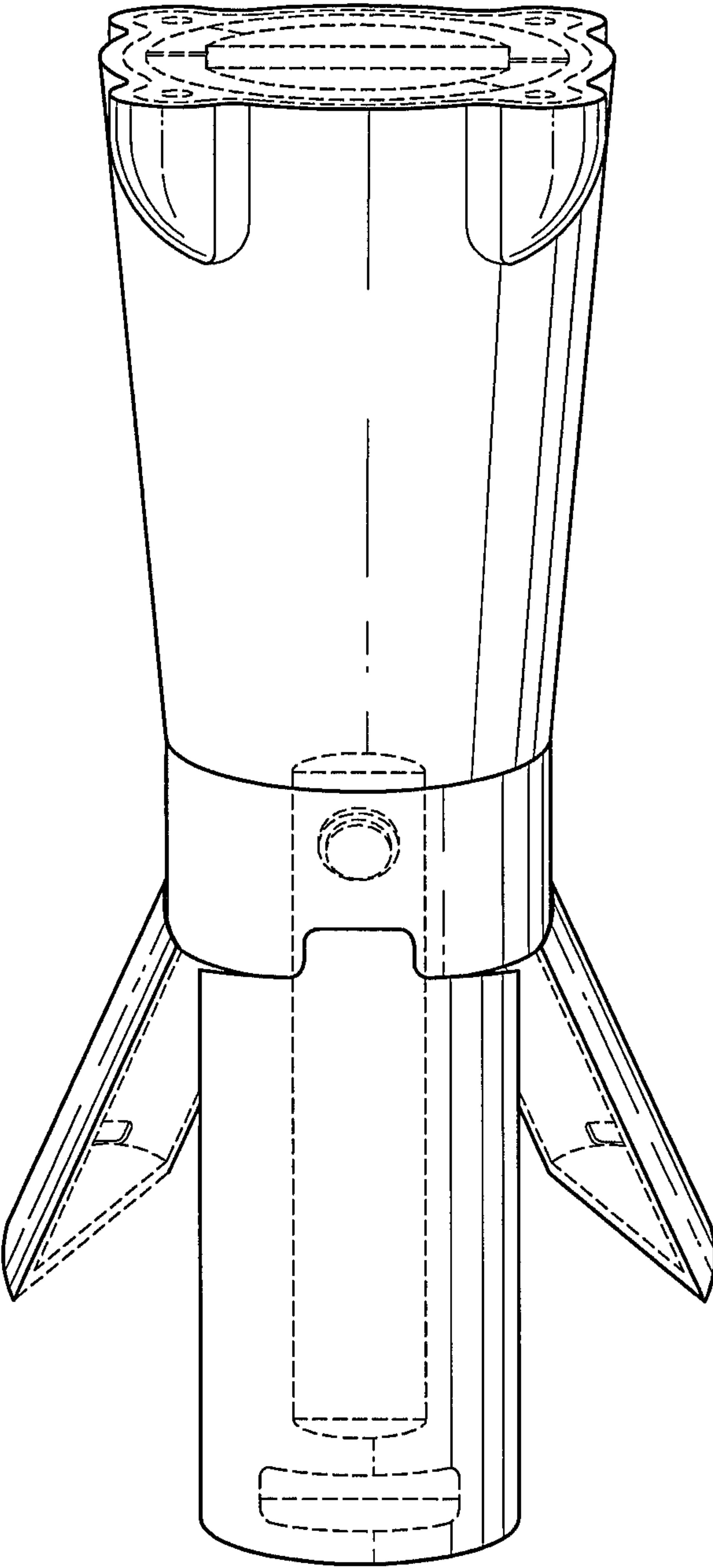


FIG. 9

