



US00D713981S

(12) **United States Design Patent**  
**Law et al.**

(10) **Patent No.:** **US D713,981 S**  
(45) **Date of Patent:** **\*\* Sep. 23, 2014**

- (54) **AUTOMOBILE LED LIGHT BAR**
- (71) Applicants: **Calvin Chuen Kam Law**, Chino, CA (US); **George Lee**, Brea, CA (US)
- (72) Inventors: **Calvin Chuen Kam Law**, Chino, CA (US); **George Lee**, Brea, CA (US)
- (\*\*) Term: **14 Years**
- (21) Appl. No.: **29/441,136**
- (22) Filed: **Dec. 31, 2012**
- (51) **LOC (10) Cl.** ..... **26-06**
- (52) **U.S. Cl.**  
USPC ..... **D26/31**
- (58) **Field of Classification Search**  
USPC ..... D26/28-36; 362/459-468, 475-478, 362/485-487  
See application file for complete search history.

D576,754 S \* 9/2008 Wang ..... D26/31  
D653,783 S \* 2/2012 Biro et al. .... D26/31

\* cited by examiner

*Primary Examiner* — Marcus Jackson

(57) **CLAIM**

An ornamental design for an automobile LED light bar, as shown and described.

**DESCRIPTION**

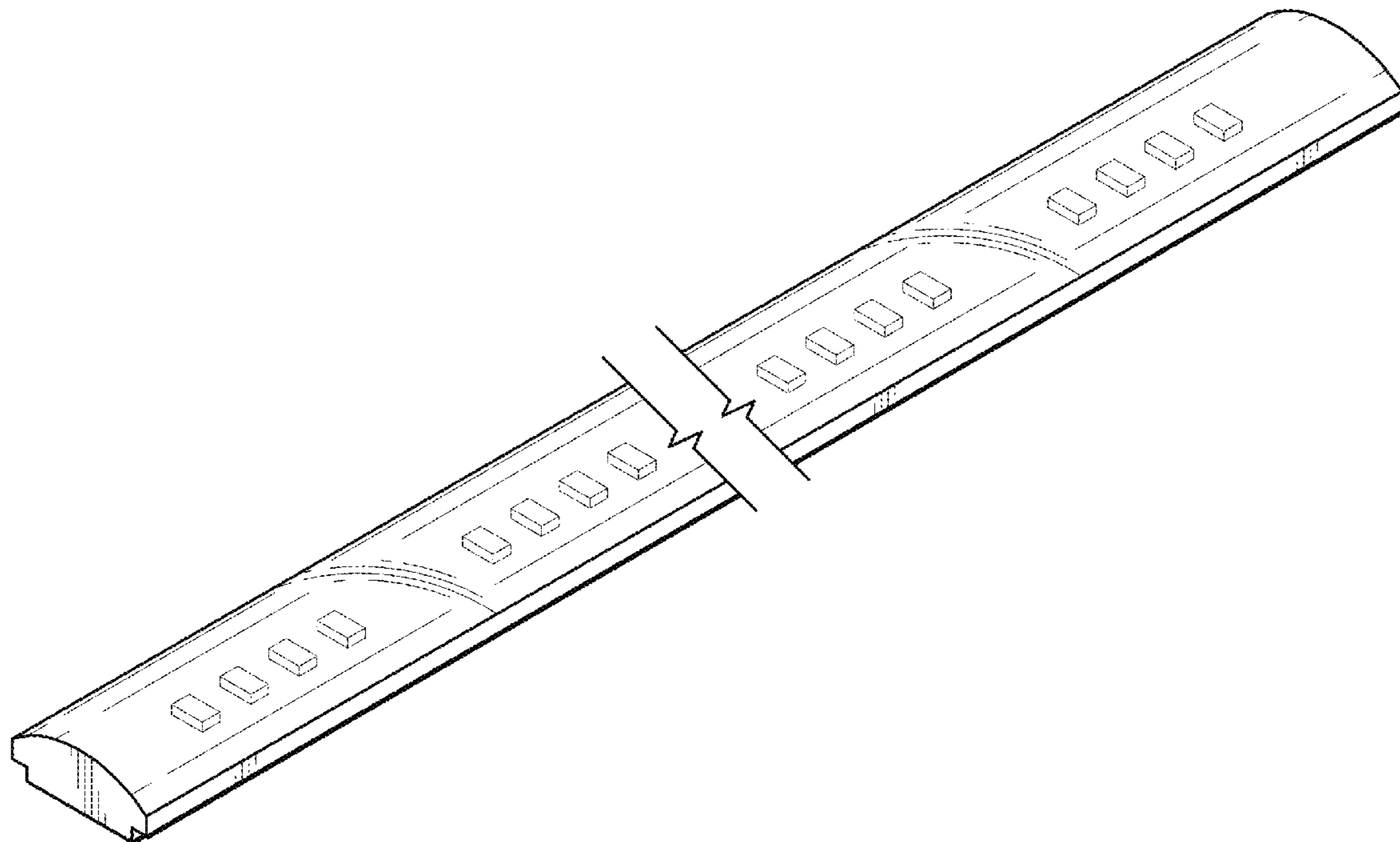
FIG. 1 is a perspective view of the automobile LED light bar having variable length;  
FIG. 2 is a top view thereof having variable length;  
FIG. 3 is a side view thereof having variable length;  
FIG. 4 is a bottom side view thereof having variable length;  
and,  
FIG. 5 is an end cap view thereof.

(56) **References Cited**

**U.S. PATENT DOCUMENTS**

D526,430 S \* 8/2006 Hernandez et al. .... D26/31

**1 Claim, 3 Drawing Sheets**



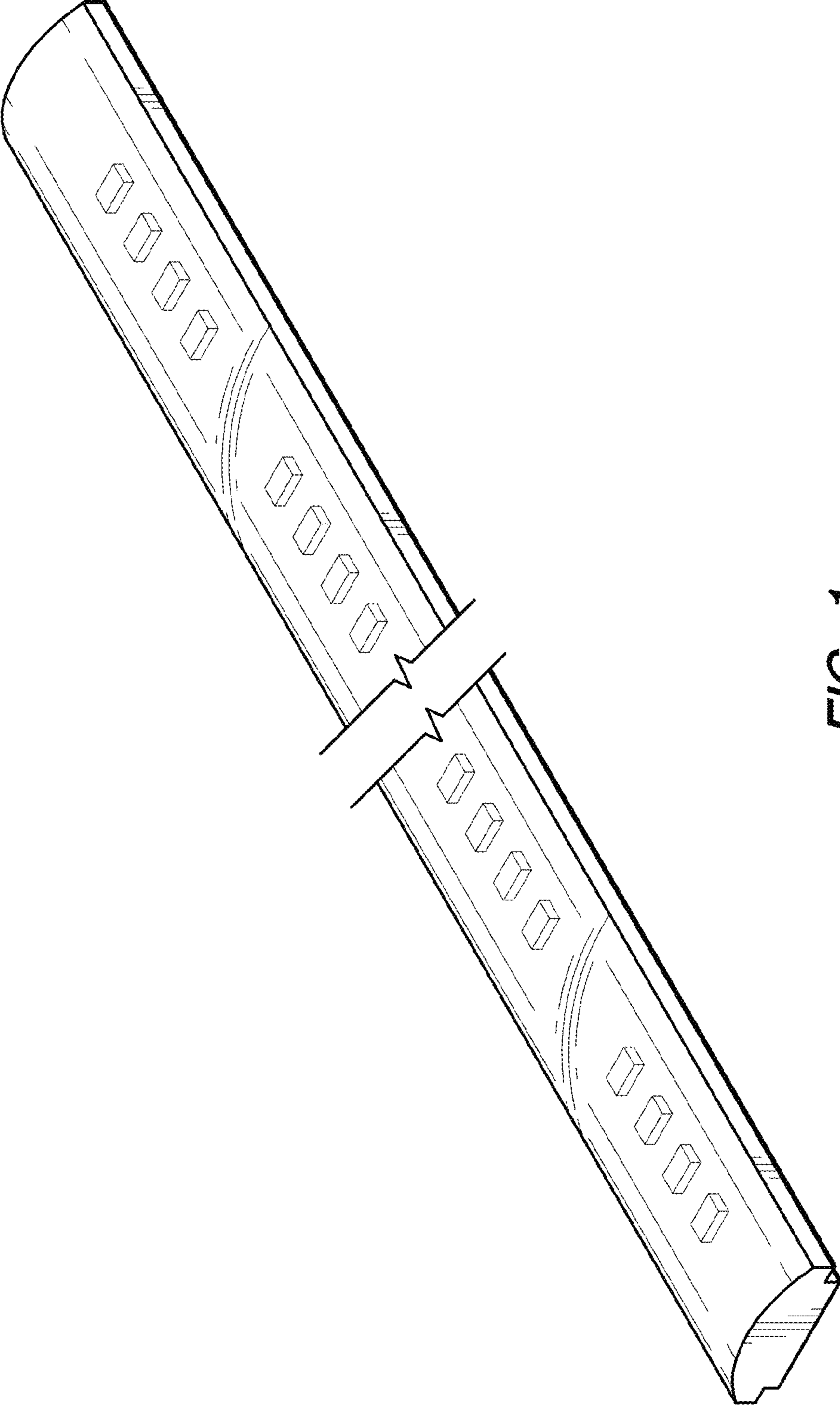


FIG. 1

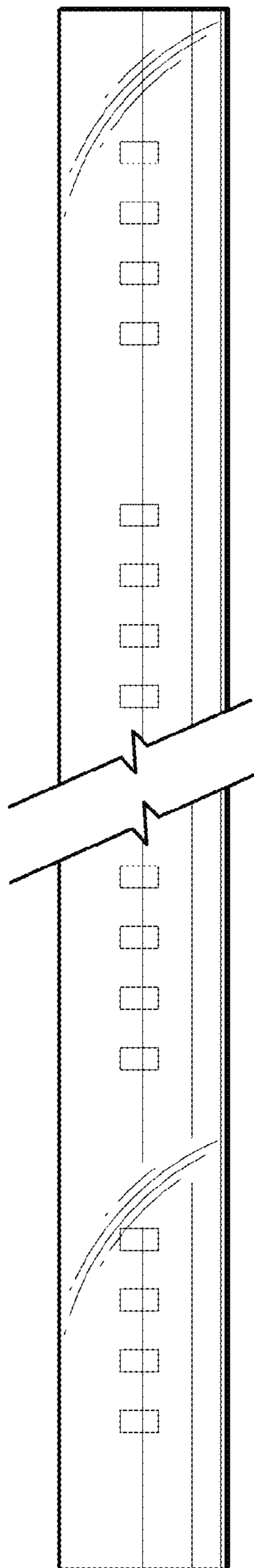
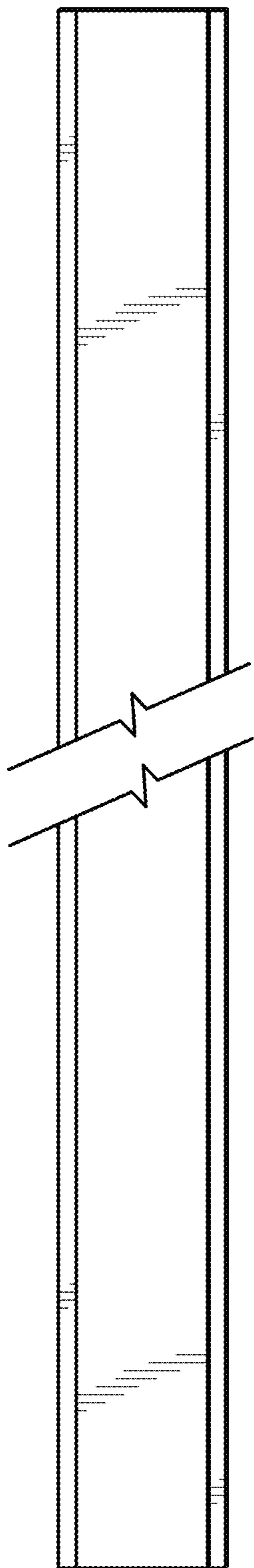


FIG. 2



FIG. 3



**FIG. 4**



**FIG. 5**