



US00D713980S

(12) **United States Design Patent**
Gotschke

(10) **Patent No.:** **US D713,980 S**

(45) **Date of Patent:** **** Sep. 23, 2014**

(54) **VEHICLE TAILLIGHT**

(75) Inventor: **Wolfgang Gotschke**, Cologne (DE)

(73) Assignee: **Ford Motor Company**, Dearborn, MI (US)

(**) Term: **14 Years**

(21) Appl. No.: **29/429,682**

(22) Filed: **Aug. 15, 2012**

(51) **LOC (10) Cl.** **26-06**

(52) **U.S. Cl.**
USPC **D26/28**

(58) **Field of Classification Search**
USPC D26/28-36; 362/459-468, 475-478,
362/485-487

See application file for complete search history.

(56) **References Cited**

U.S. PATENT DOCUMENTS

D541,445 S * 4/2007 Lin D26/28
D549,363 S * 8/2007 Pfeiffer D26/28
D553,269 S * 10/2007 Pfeiffer et al. D26/28

D565,211 S * 3/2008 Haller et al. D26/28
D577,137 S 9/2008 Lamm
D605,793 S * 12/2009 Weil D26/28
D617,924 S 6/2010 George
D620,157 S * 7/2010 Frenzel et al. D26/28

* cited by examiner

Primary Examiner — Marcus Jackson

(74) *Attorney, Agent, or Firm* — Damian Porcari

(57) **CLAIM**

The ornamental design for a vehicle taillight, shown and described.

DESCRIPTION

FIG. 1 is a left side elevational view of a left vehicle taillight (the right vehicle taillight being a mirror image and is not shown);

FIG. 2 is right side elevational view of the vehicle taillight;

FIG. 3 is a front elevational view of the vehicle taillight;

FIG. 4 is a top plan view of the vehicle taillight;

FIG. 5 is a bottom plan view of the vehicle taillight;

FIG. 6 is a perspective view of the vehicle taillight; and,

FIG. 7 is another perspective view of the vehicle taillight.

1 Claim, 7 Drawing Sheets





Figure 1

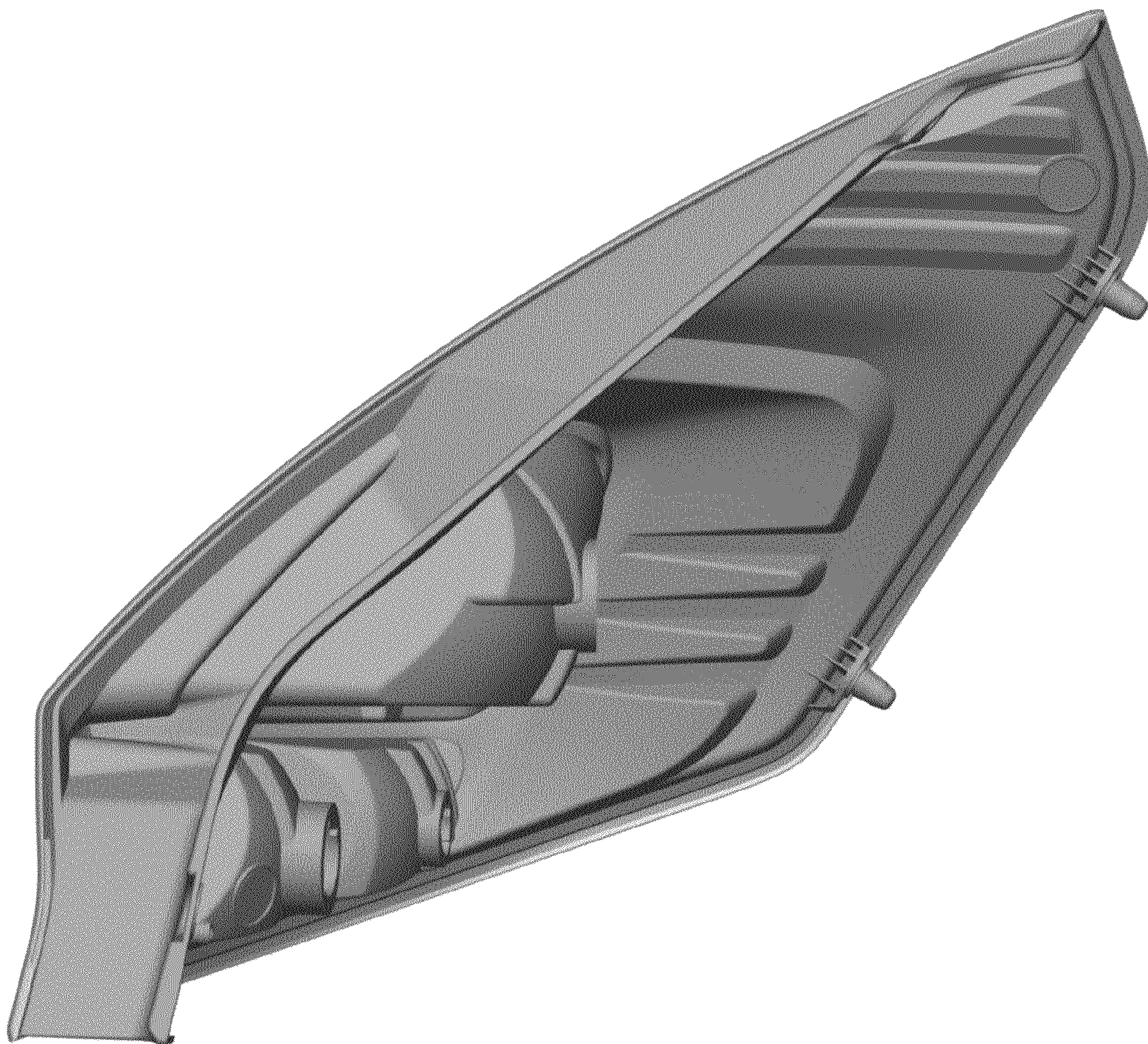


Figure 2

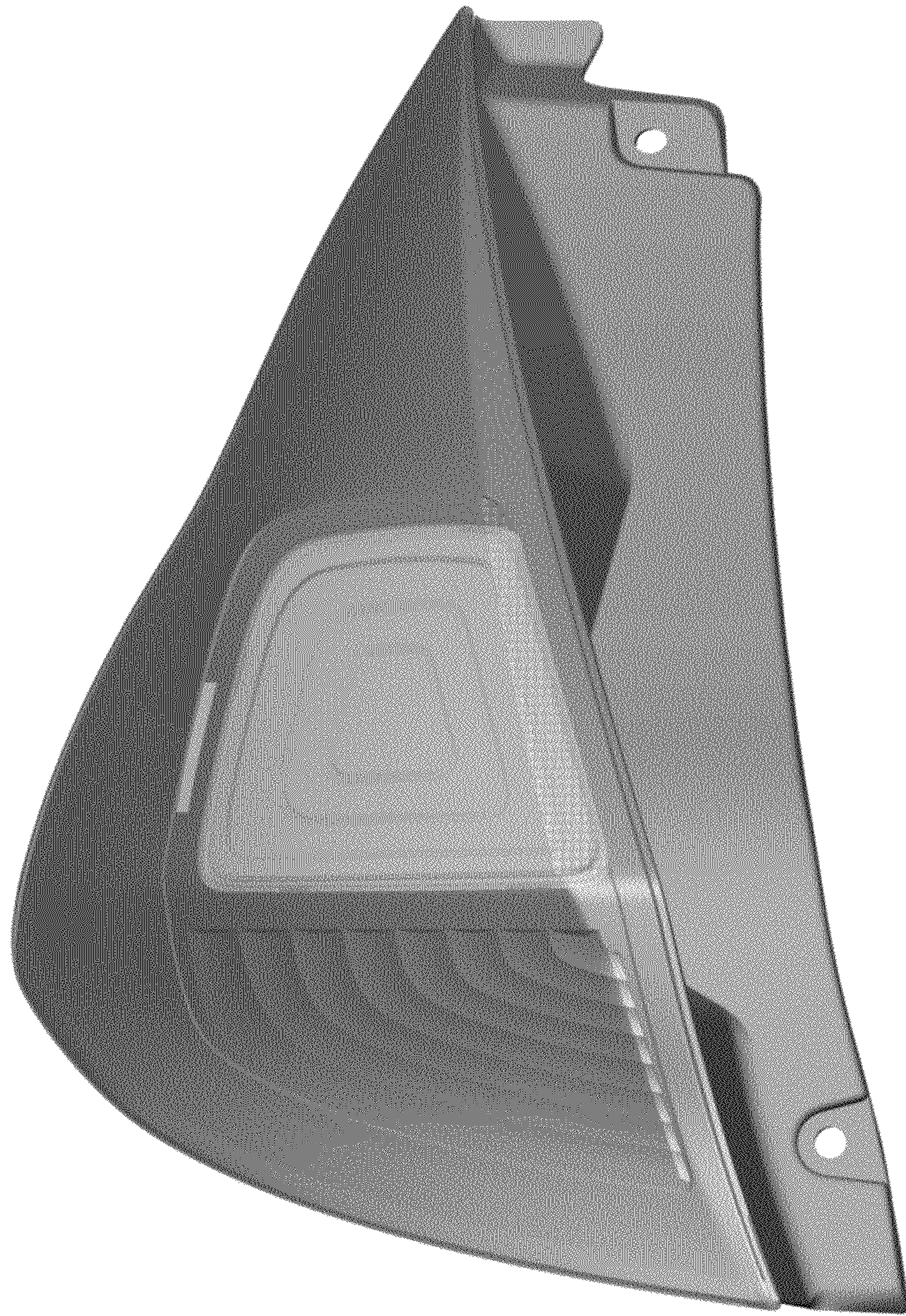


Figure 3

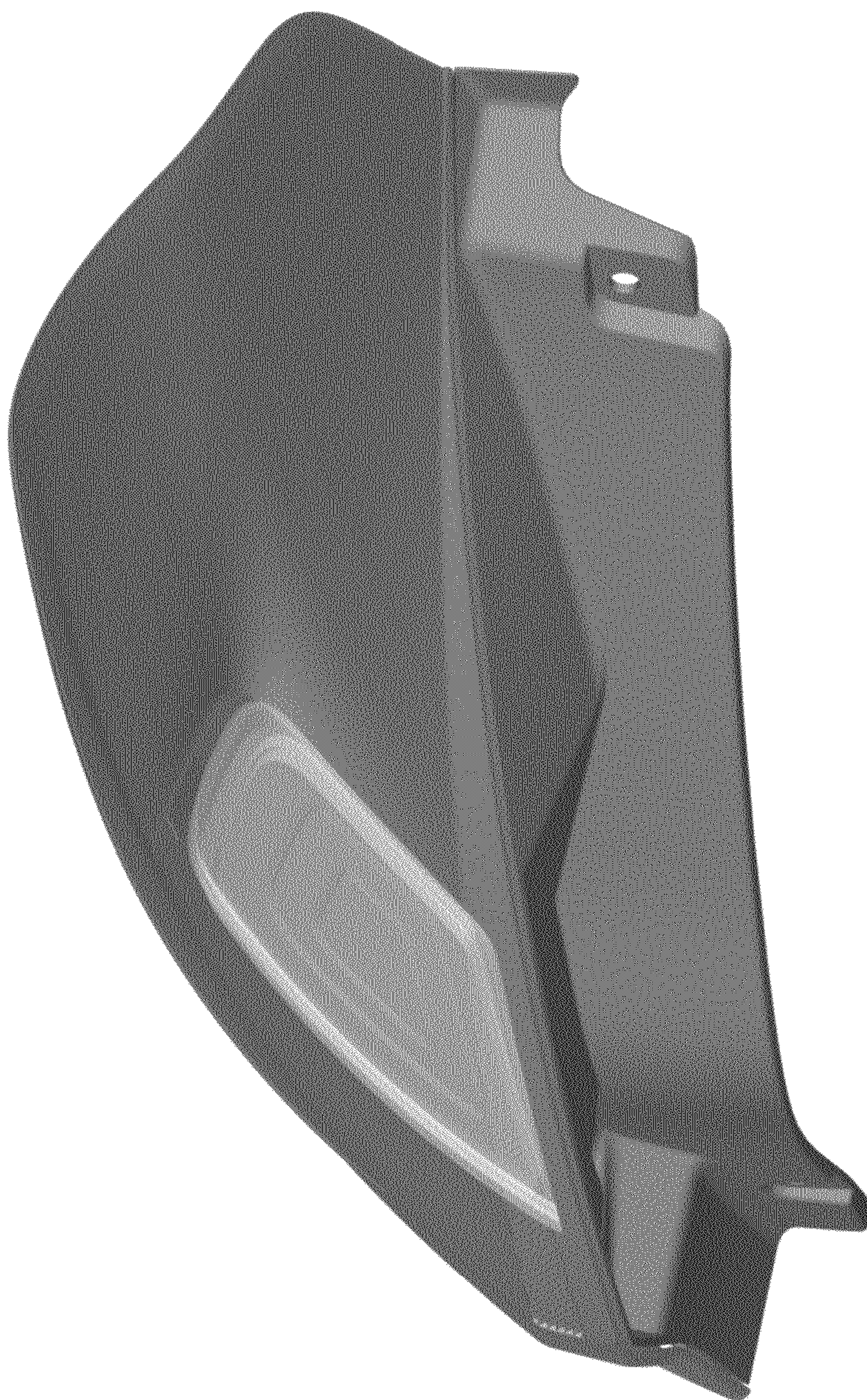


Figure 4

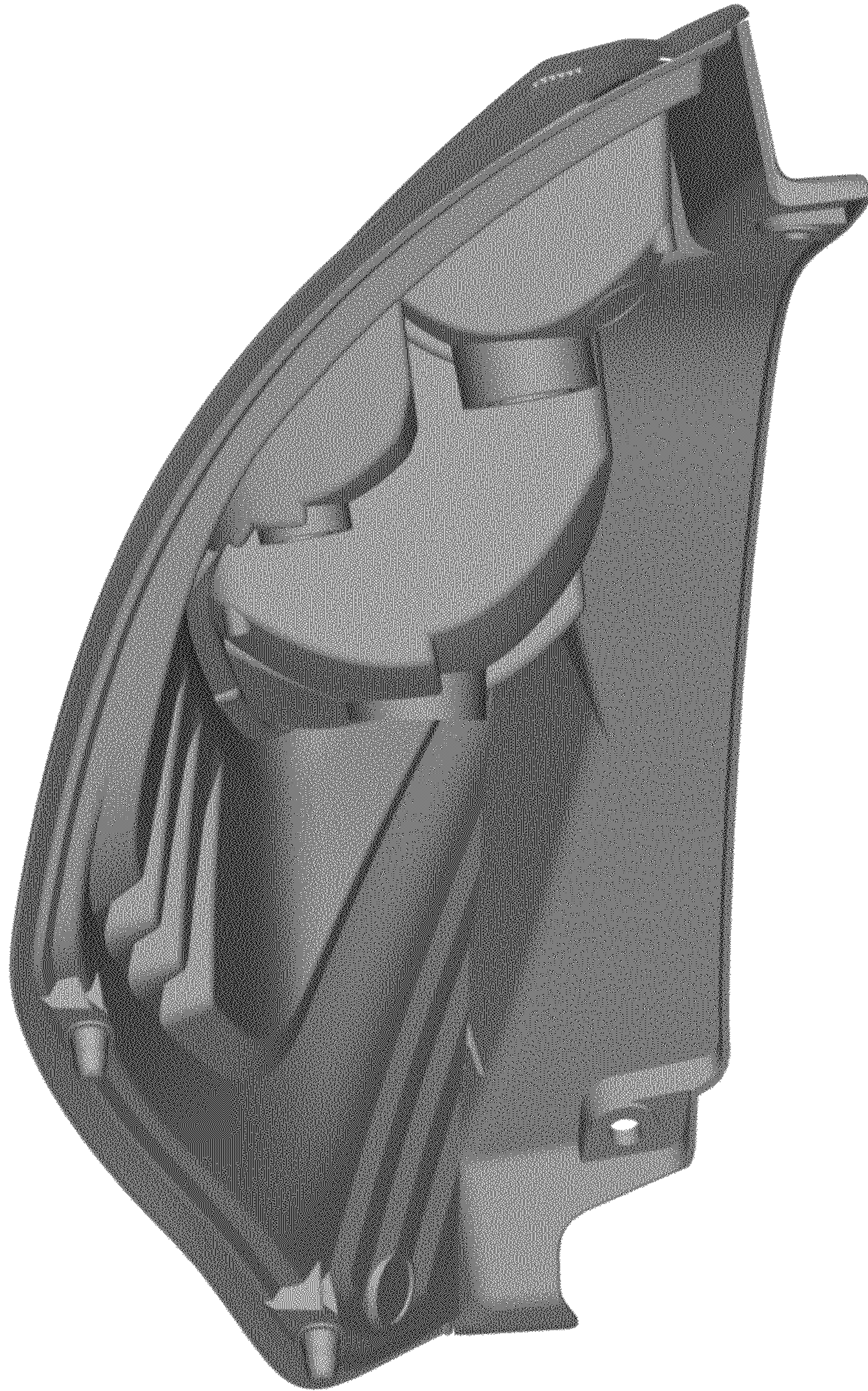


Figure 5



Figure 6

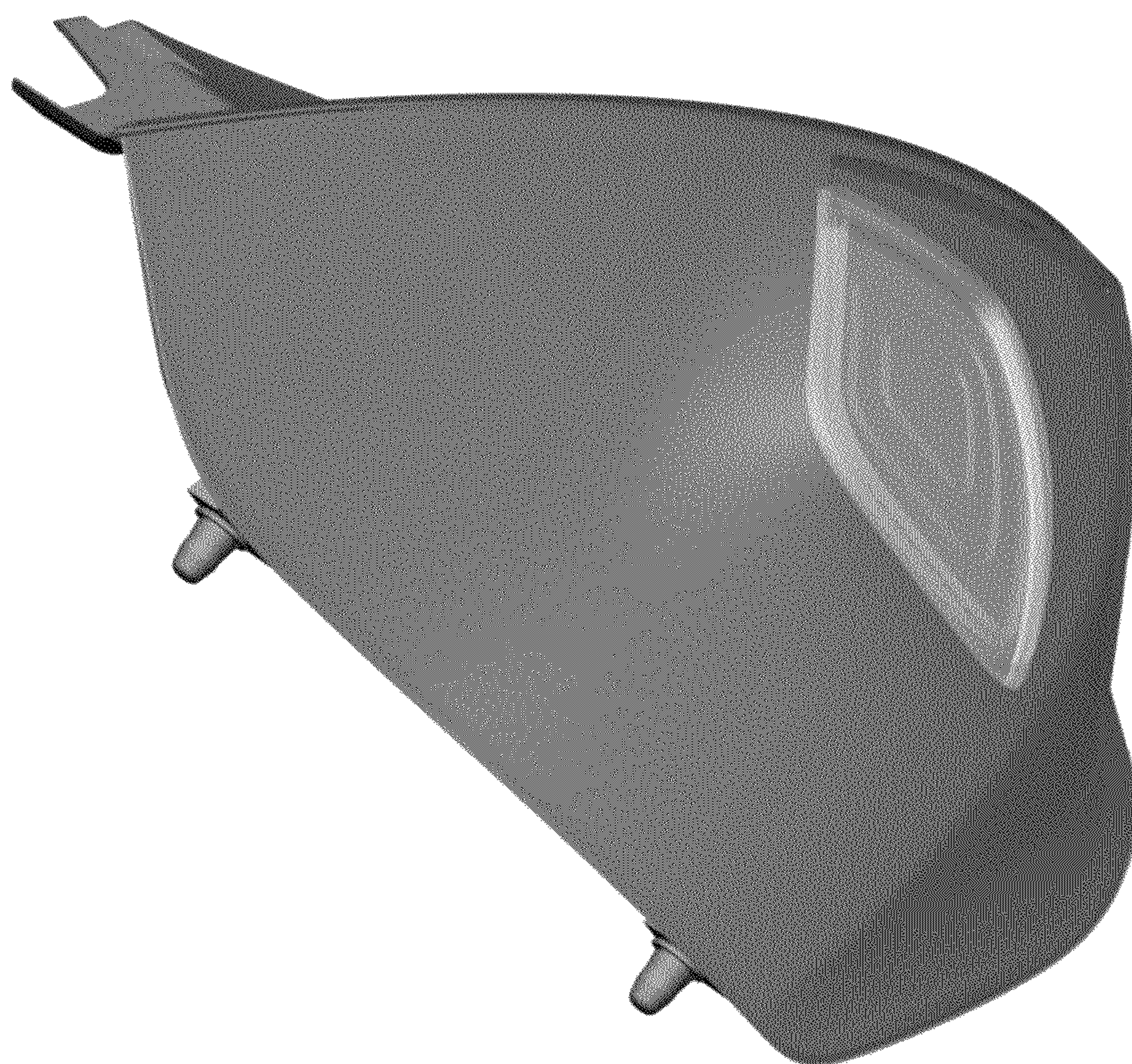


Figure 7