



US00D713978S

(12) **United States Design Patent**
Zombek

(10) **Patent No.:** **US D713,978 S**
(45) **Date of Patent:** **** Sep. 23, 2014**

(54) **ARCHITECTURAL METAL BUILDING
PANEL**

Primary Examiner — Doris Clark
(74) *Attorney, Agent, or Firm* — The Webb Law Firm

(71) Applicant: **Centria**, Moon Township, PA (US)

(57) **CLAIM**
The ornamental design for an architectural metal building panel, as shown and described.

(72) Inventor: **Thomas J. Zombek**, Cecil Township, PA (US)

(73) Assignee: **Centria**, Moon Township, PA (US)

(**) Term: **14 Years**

(21) Appl. No.: **29/434,163**

(22) Filed: **Oct. 10, 2012**

(51) **LOC (10) Cl.** **25-01**

(52) **U.S. Cl.**
USPC **D25/125**; D25/141

(58) **Field of Classification Search**
USPC D25/125, 141, 119; 52/235, 309.14,
52/518, 555, 588.1, 520
See application file for complete search history.

DESCRIPTION

FIG. 1 is an upper left front perspective view of an architectural metal building panel showing my new design in accordance with a first embodiment of the present invention; FIG. 2 is a left side view thereof; FIG. 3 is a front view thereof; FIG. 4 is an upper left front perspective view of an architectural metal building panel showing my new design in accordance with a second embodiment of the present invention; FIG. 5 is a left side view thereof; FIG. 6 is a front view thereof; FIG. 7 is an upper left front perspective view of an architectural metal building panel showing my new design in accordance with a third embodiment of the present invention; FIG. 8 is a left side view thereof; FIG. 9 is a front view thereof; FIG. 10 is an upper left front perspective view of an architectural metal building panel showing my new design in accordance with a fourth embodiment of the present invention; FIG. 11 is a left side view thereof; FIG. 12 is a front view thereof; FIG. 13 is an upper left front perspective view of an architectural metal building panel showing my new design in accordance with a fifth embodiment of the present invention; FIG. 14 is a left side view thereof; and, FIG. 15 is a front view thereof.

The broken line showings of FIGS. 1-15 are environmental only and not part of the claimed design. The right side views of the individual embodiments are not provided, as the right side view of each embodiment is a mirror image of the corresponding left side view. The claimed design is broken on one side to indicate indefinite length.

(56) **References Cited**

U.S. PATENT DOCUMENTS

3,218,772	A *	11/1965	Martin	52/508
3,305,994	A *	2/1967	Amrhein et al.	52/489.2
D259,143	S	5/1981	Aktinson	
5,524,409	A	6/1996	Kaiser	
5,651,227	A *	7/1997	Anderson	52/520
5,775,042	A	7/1998	Mowery et al.	
D421,137	S	2/2000	Marshall	
D449,120	S	10/2001	Kulik	
D479,751	S	9/2003	Schofield	
D497,434	S	10/2004	Brabeck	
D527,834	S	9/2006	Thimons et al.	

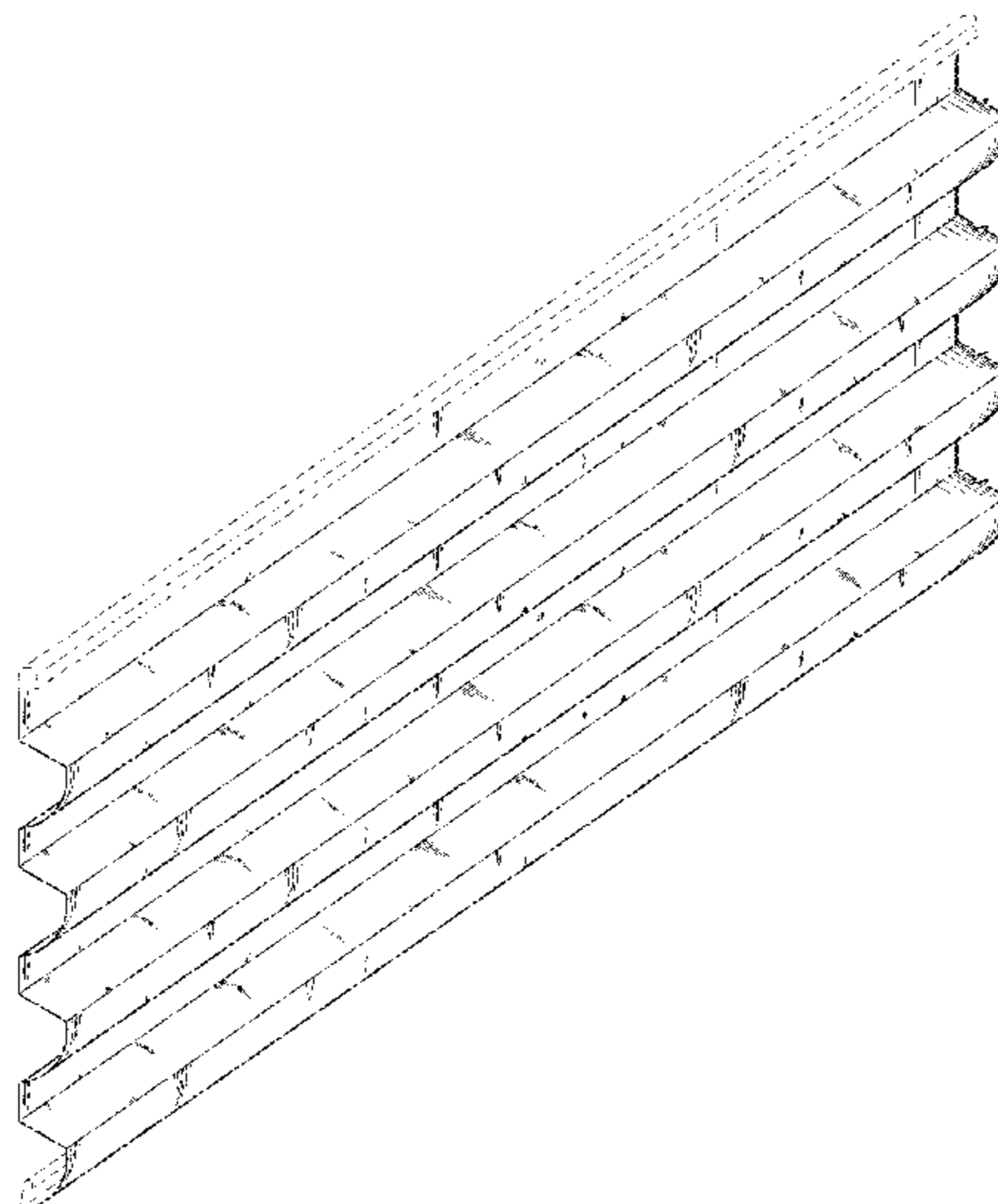
(Continued)

OTHER PUBLICATIONS

ATAS, Inc., BKR 160 Panel, 2002, 3 pages.

(Continued)

1 Claim, 10 Drawing Sheets



(56)

References Cited

U.S. PATENT DOCUMENTS

D538,948 S 3/2007 Thimons et al.
D668,353 S 10/2012 Griffiths
D668,357 S 10/2012 Griffiths
D677,402 S 3/2013 Griffiths
D679,834 S 4/2013 Griffiths
D687,976 S 8/2013 Griffiths
D687,977 S 8/2013 Griffiths
D690,442 S 9/2013 Griffiths
D690,838 S 10/2013 Griffiths

D698,944 S 2/2014 Griffiths
D698,946 S 2/2014 Griffiths
D698,947 S 2/2014 Griffiths

OTHER PUBLICATIONS

Centria, FWDS 59 Panel, 2002, 4 pages.
Centria, IW 60A Panel, 1996, 2 pages.
ATAS, Inc., MPH 080 Panel, 2000, 6 pages.
ATAS, Inc., MPS 120 Panel, 2000, 6 pages.
"Commercial & Industrial Metal Wall Systems," Robertson Product Brochure, 1994, 16 pages.

* cited by examiner

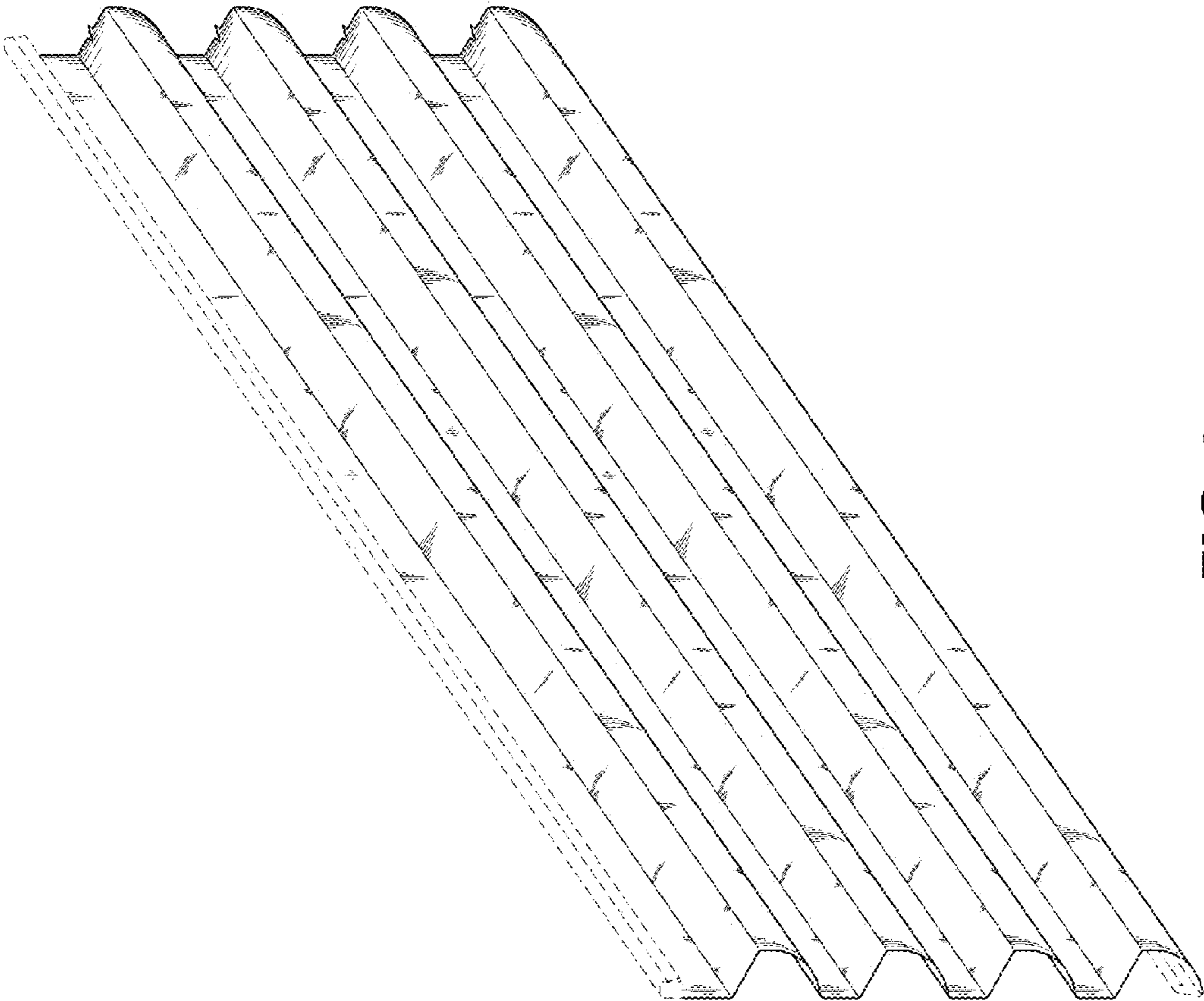


FIG. 1

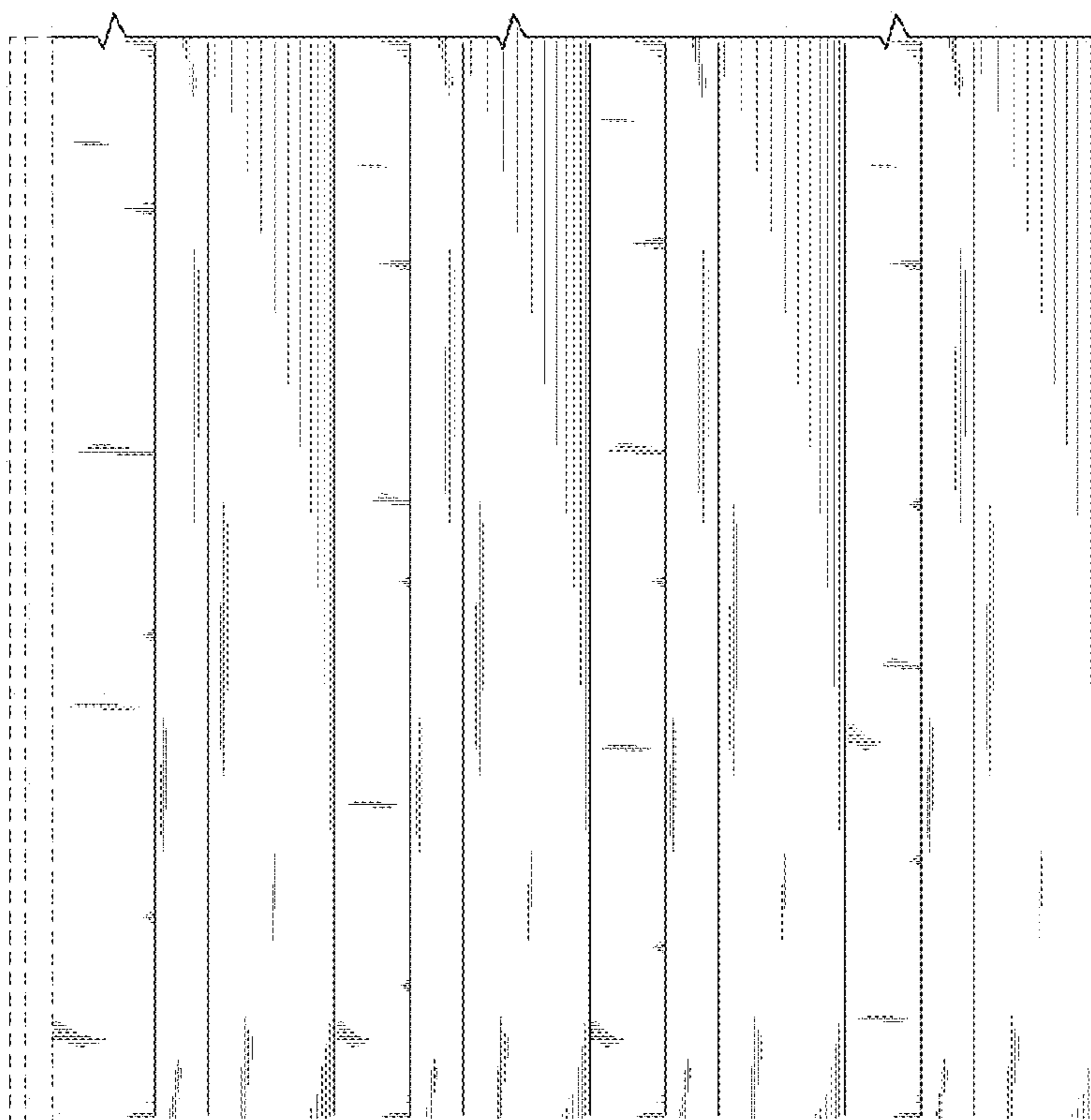


FIG. 3



FIG. 2

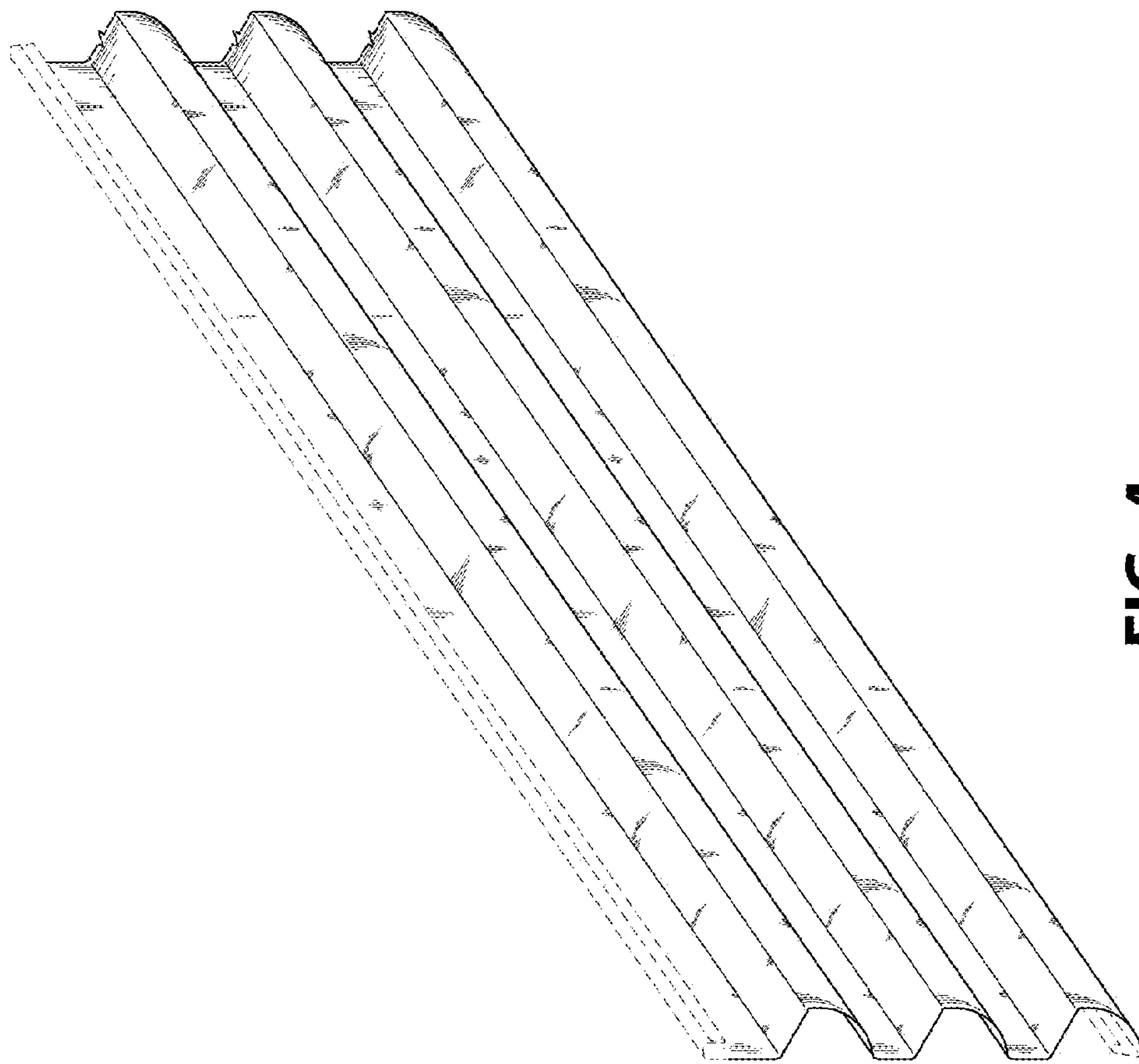


FIG. 4

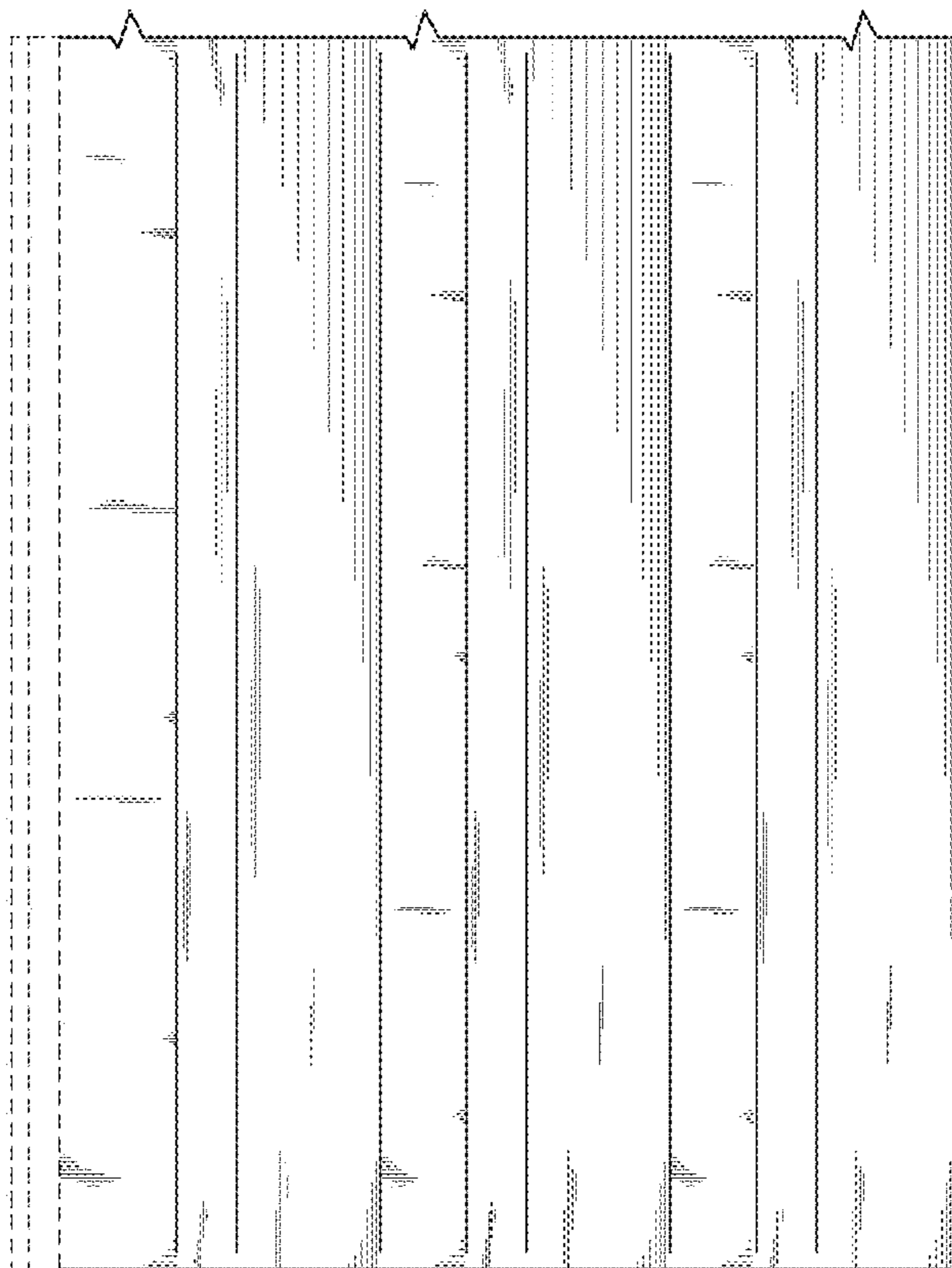


FIG. 6



FIG. 5

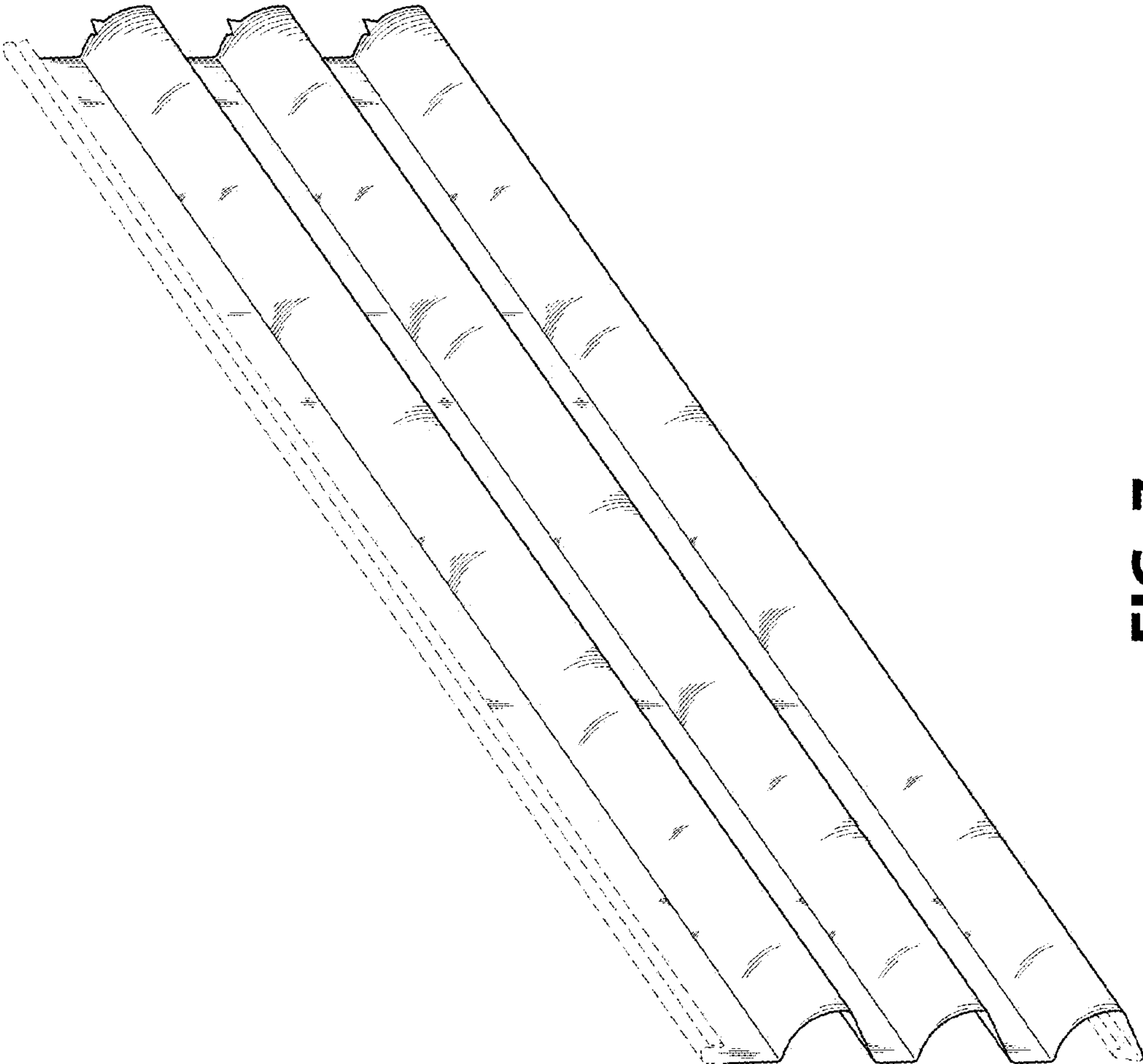


FIG. 7

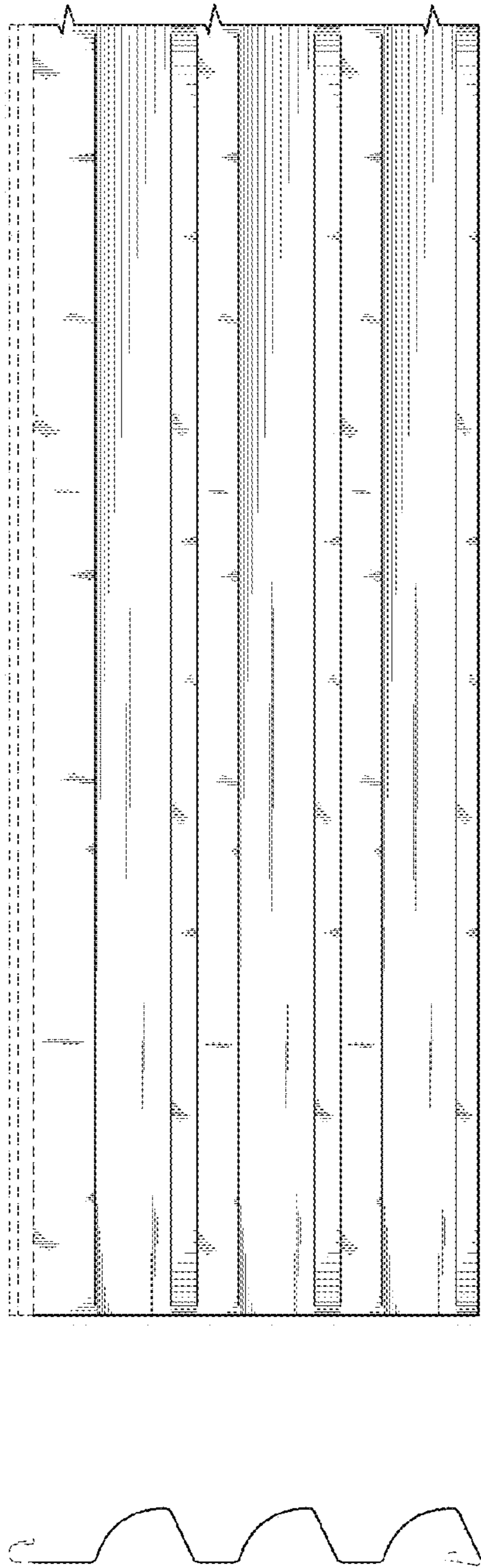


FIG. 9

FIG. 8

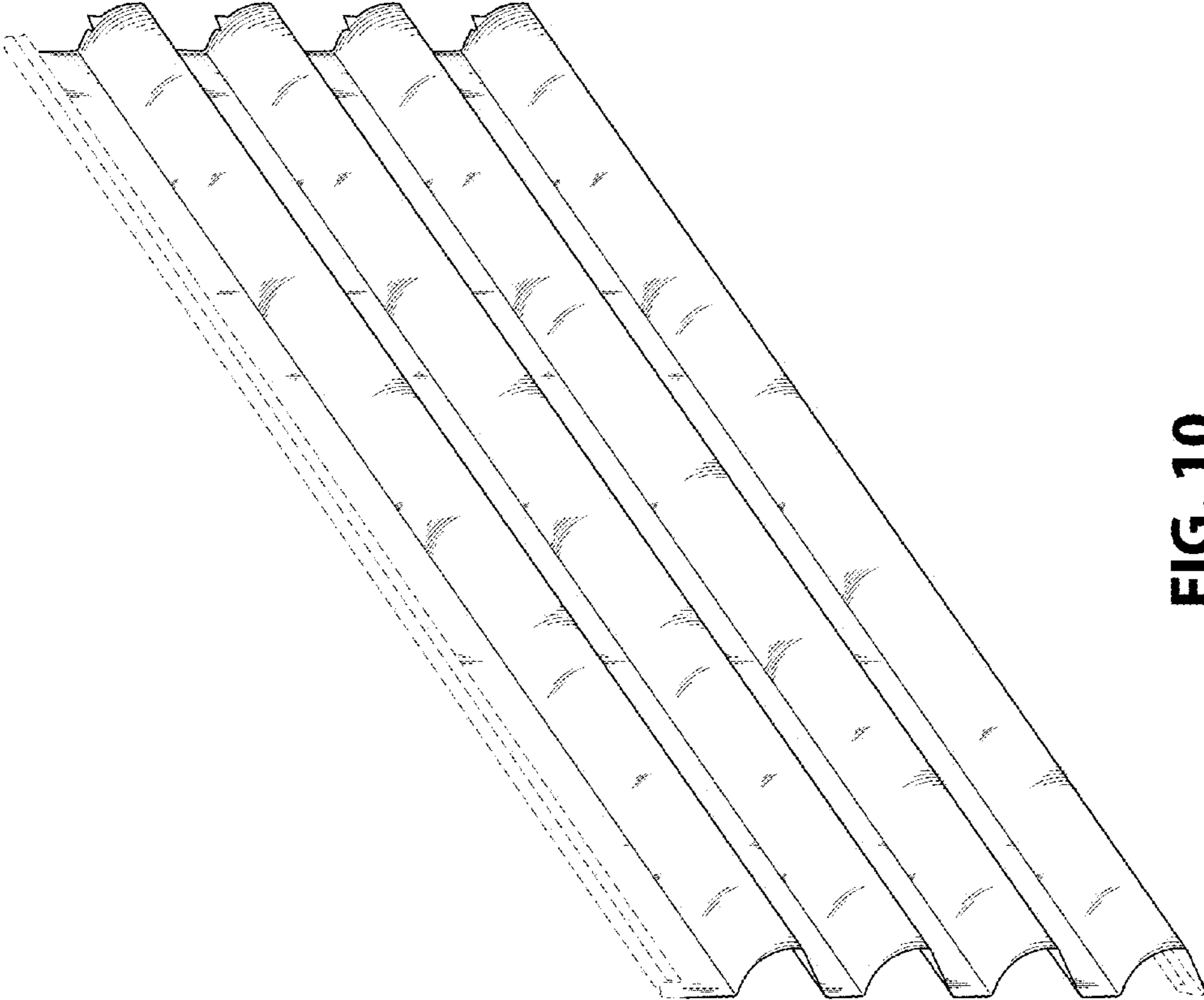


FIG. 10

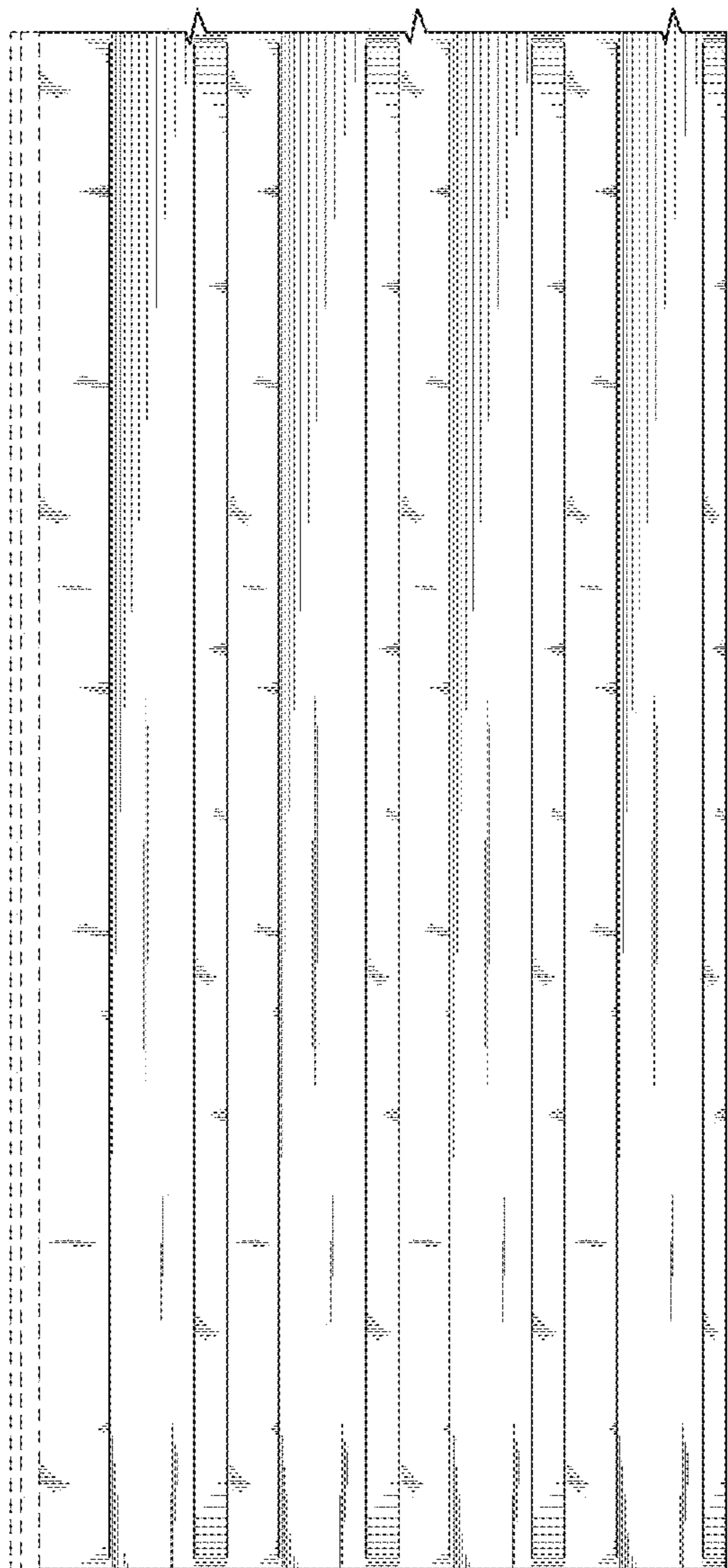


FIG. 12

FIG. 11

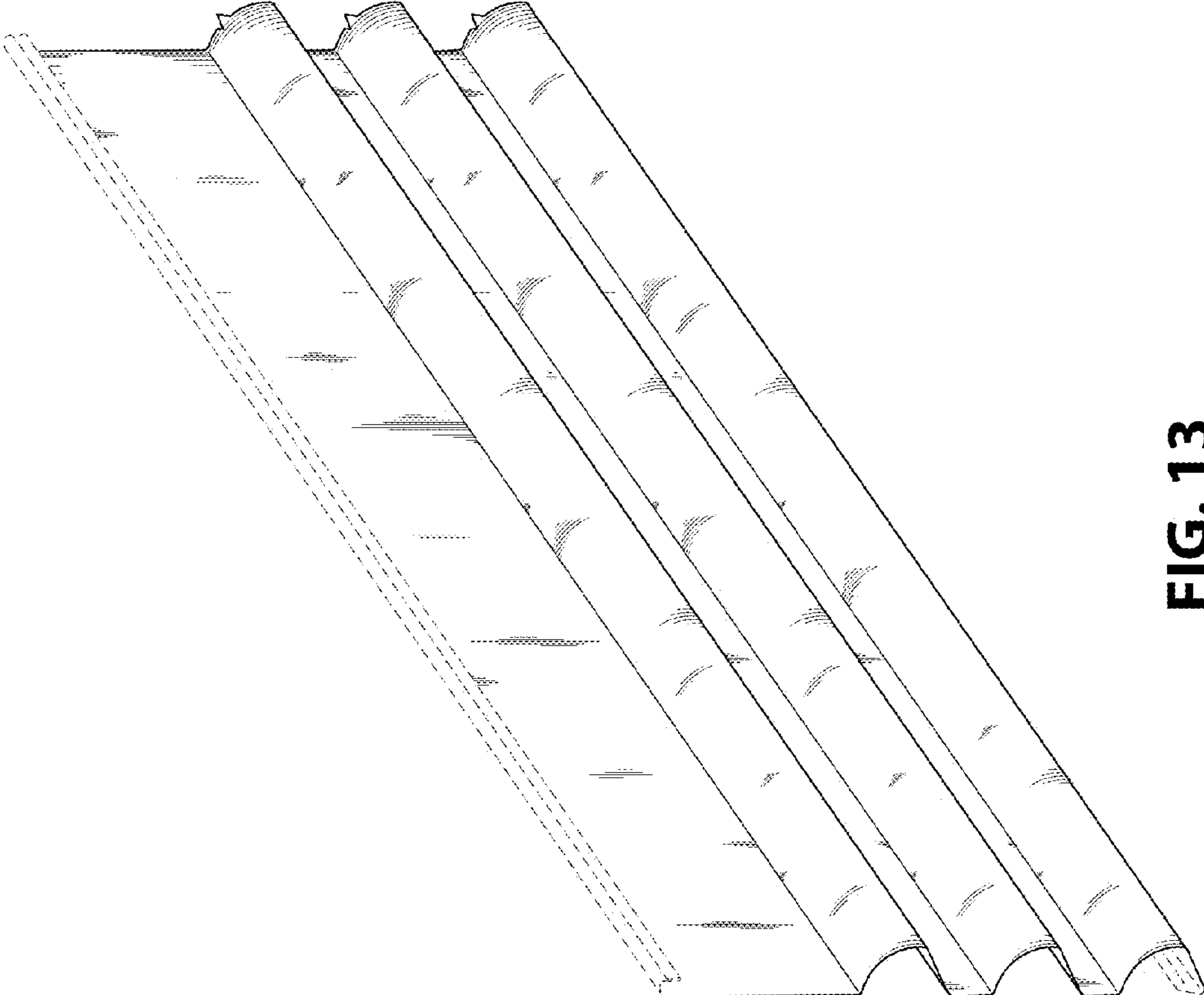


FIG. 13

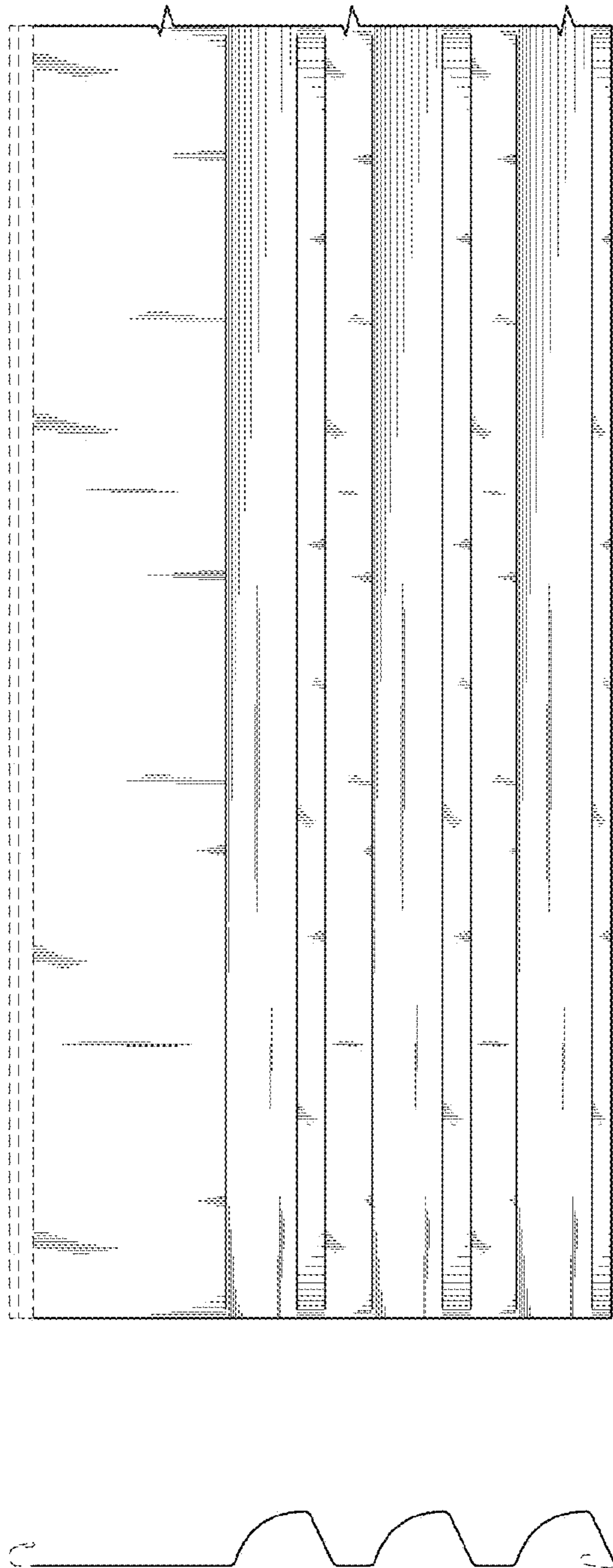


FIG. 15

FIG. 14