



US00D713977S

(12) **United States Design Patent**  
**Jenkins**

(10) **Patent No.:** **US D713,977 S**

(45) **Date of Patent:** **\*\* Sep. 23, 2014**

(54) **WINDOW FRAME EXTRUSION**

(71) Applicant: **Dallaire Industries Ltd.**, Levis (CA)

(72) Inventor: **Martin Jenkins**, Beaumont (CA)

(73) Assignee: **Dallaire Industries Ltd.**, Levis, Quebec (CA)

(\*\*) Term: **14 Years**

(21) Appl. No.: **29/449,734**

(22) Filed: **Mar. 15, 2013**

(51) **LOC (10) Cl.** ..... **25-01**

(52) **U.S. Cl.**  
USPC ..... **D25/124**

(58) **Field of Classification Search**  
USPC ..... D25/124, 125; 52/204.1, 204.2, 204.5,  
52/204.51, 656.5, 656.6, 213, 215, 208,  
52/206, 212, 717.01, 209, 204.72, 579,  
52/793.1, 794.1, 216, 204.55, 656.2,  
52/656.7; 49/DIG. 2, 504, 501, 449, 180,  
49/183, 505

See application file for complete search history.

(56) **References Cited**

U.S. PATENT DOCUMENTS

4,856,230 A \* 8/1989 Slocomb ..... 49/504  
6,308,475 B1 \* 10/2001 Crish et al. .... 49/504  
D450,139 S \* 11/2001 Roberts et al. .... D25/124

\* cited by examiner

*Primary Examiner* — Doris Clark

(74) *Attorney, Agent, or Firm* — Curtis B. Behmann; Borden  
Ladner Gervais LLP

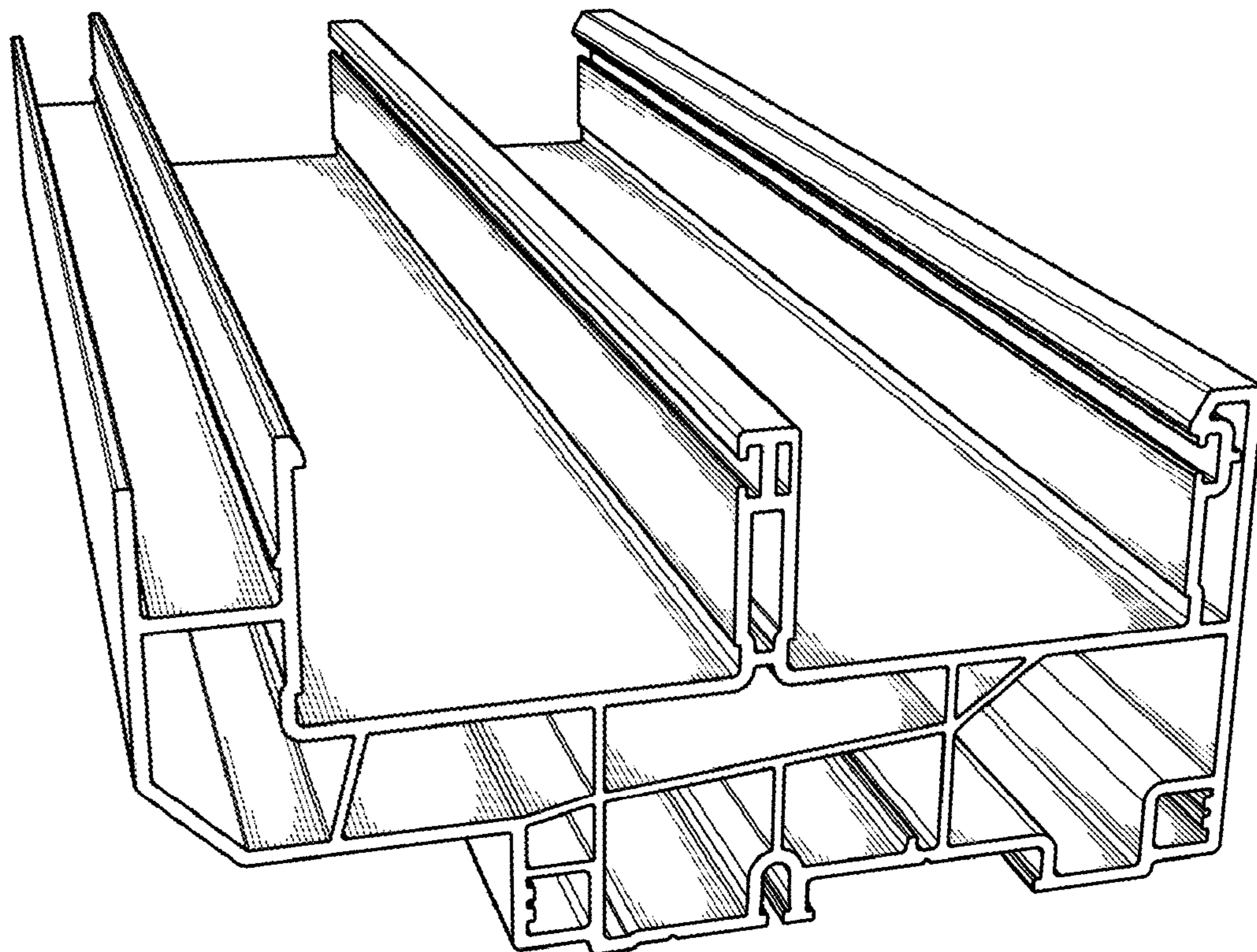
(57) **CLAIM**

The ornamental design for window frame extrusion, as shown  
and described.

**DESCRIPTION**

FIG. 1 is a perspective view of the window frame extrusion;  
FIG. 2 is a left side view thereof;  
FIG. 3 is a front view thereof;  
FIG. 4 is a right side view thereof;  
FIG. 5 is a top view thereof;  
FIG. 6 is a rear view thereof; and,  
FIG. 7 is a bottom view thereof.

**1 Claim, 7 Drawing Sheets**



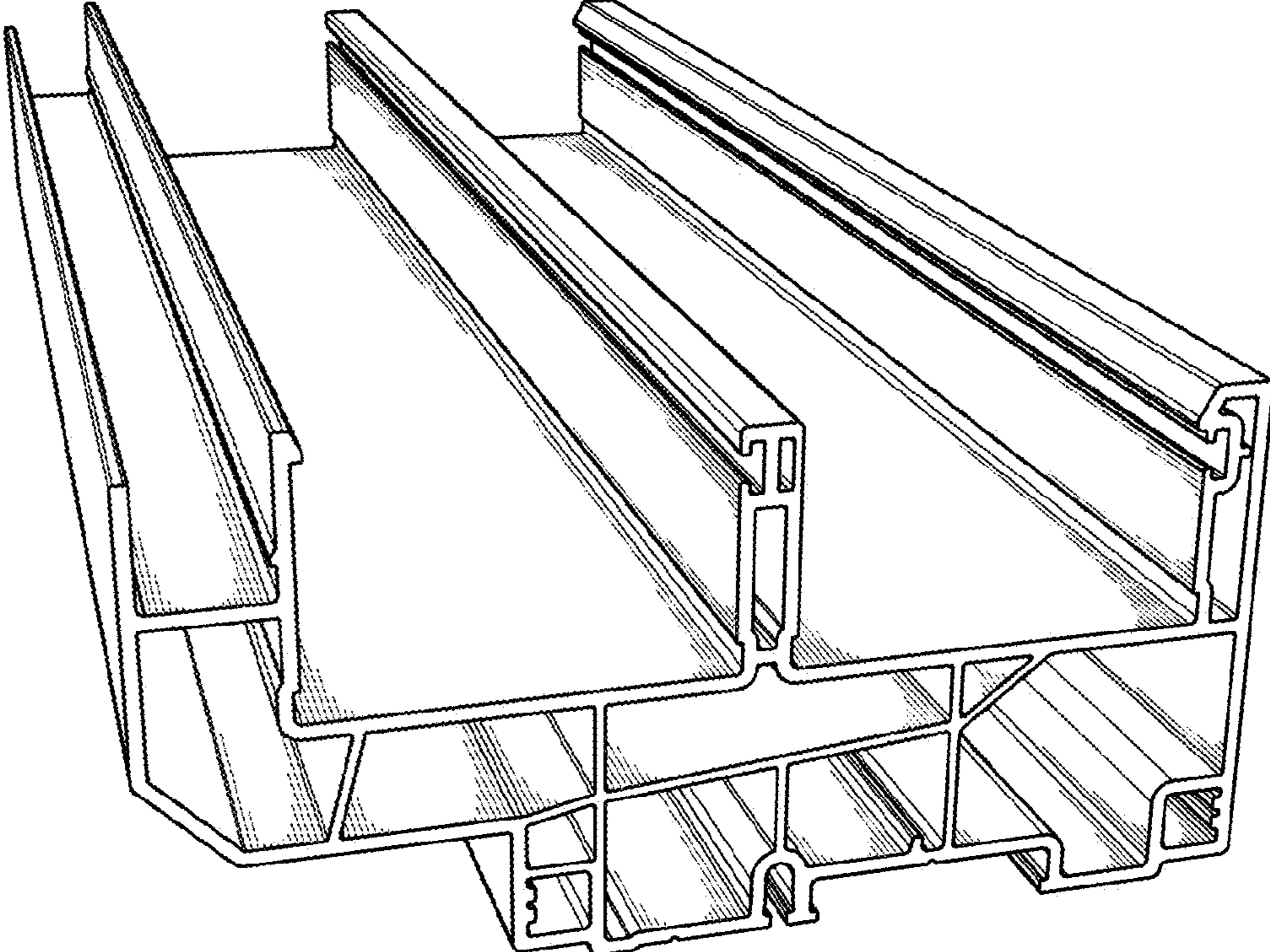


FIG. 1

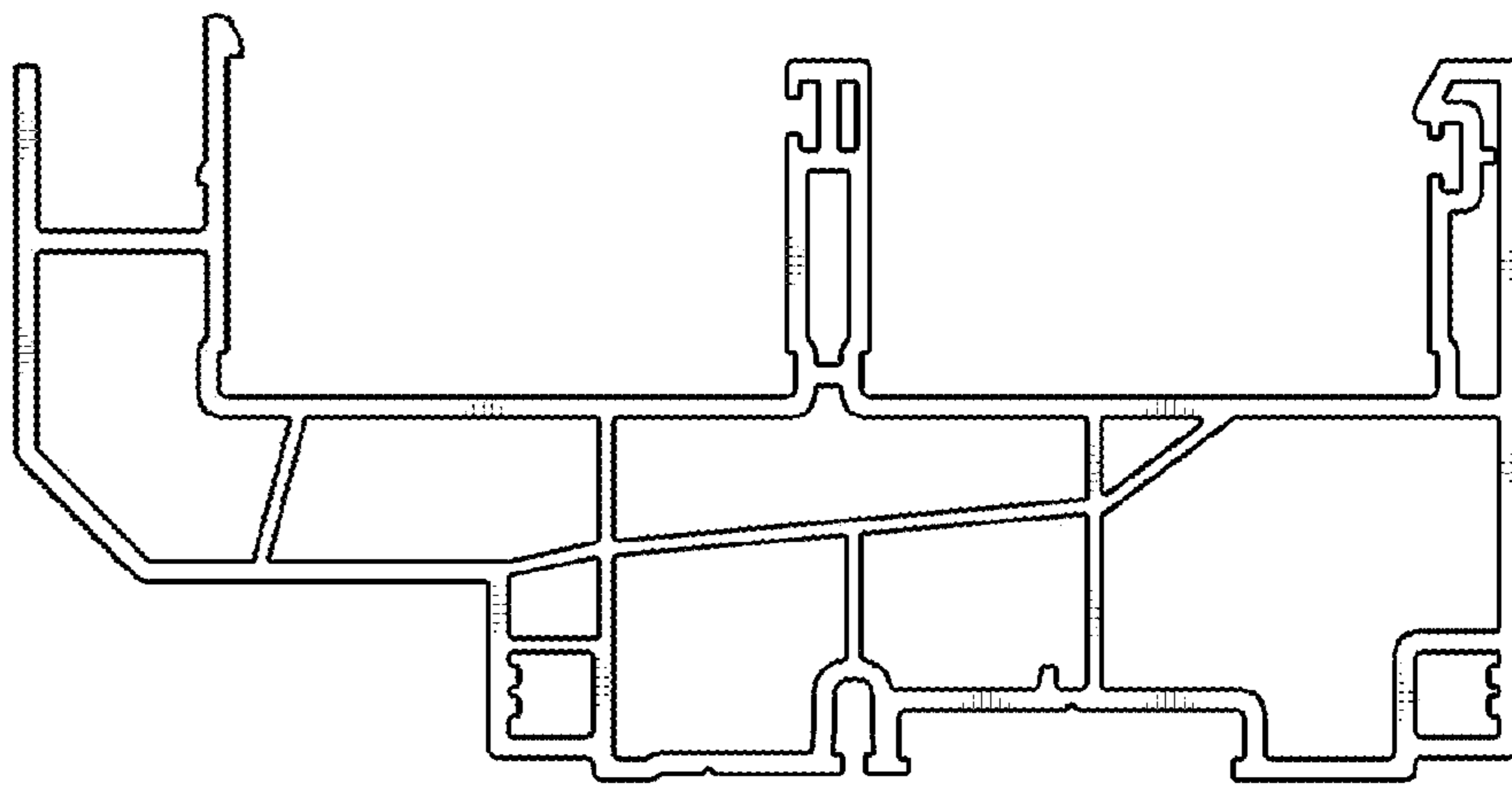


FIG. 2

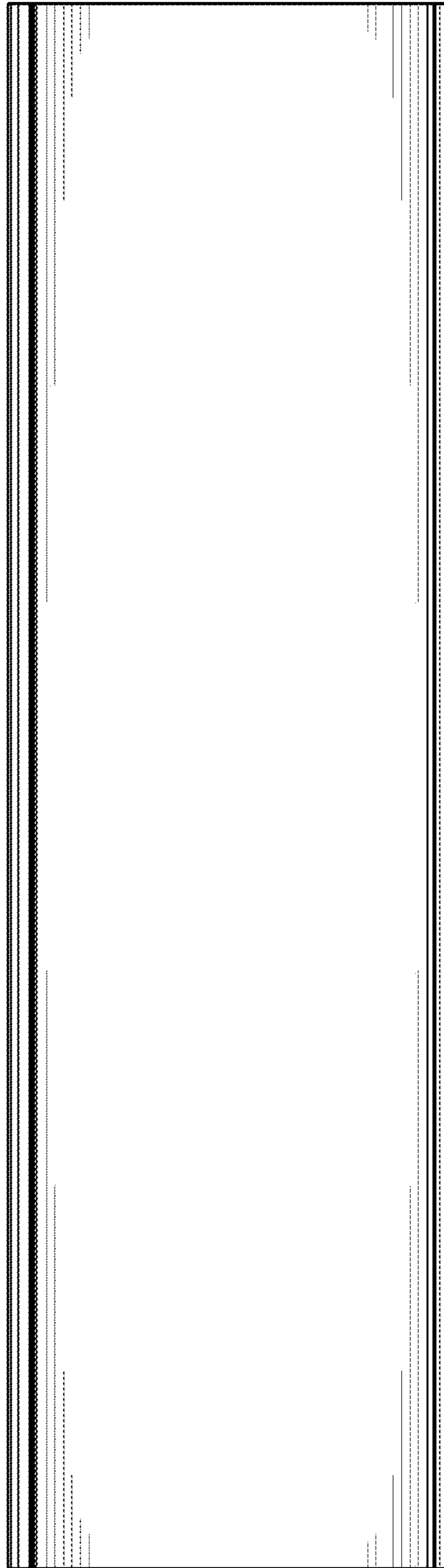


FIG. 3



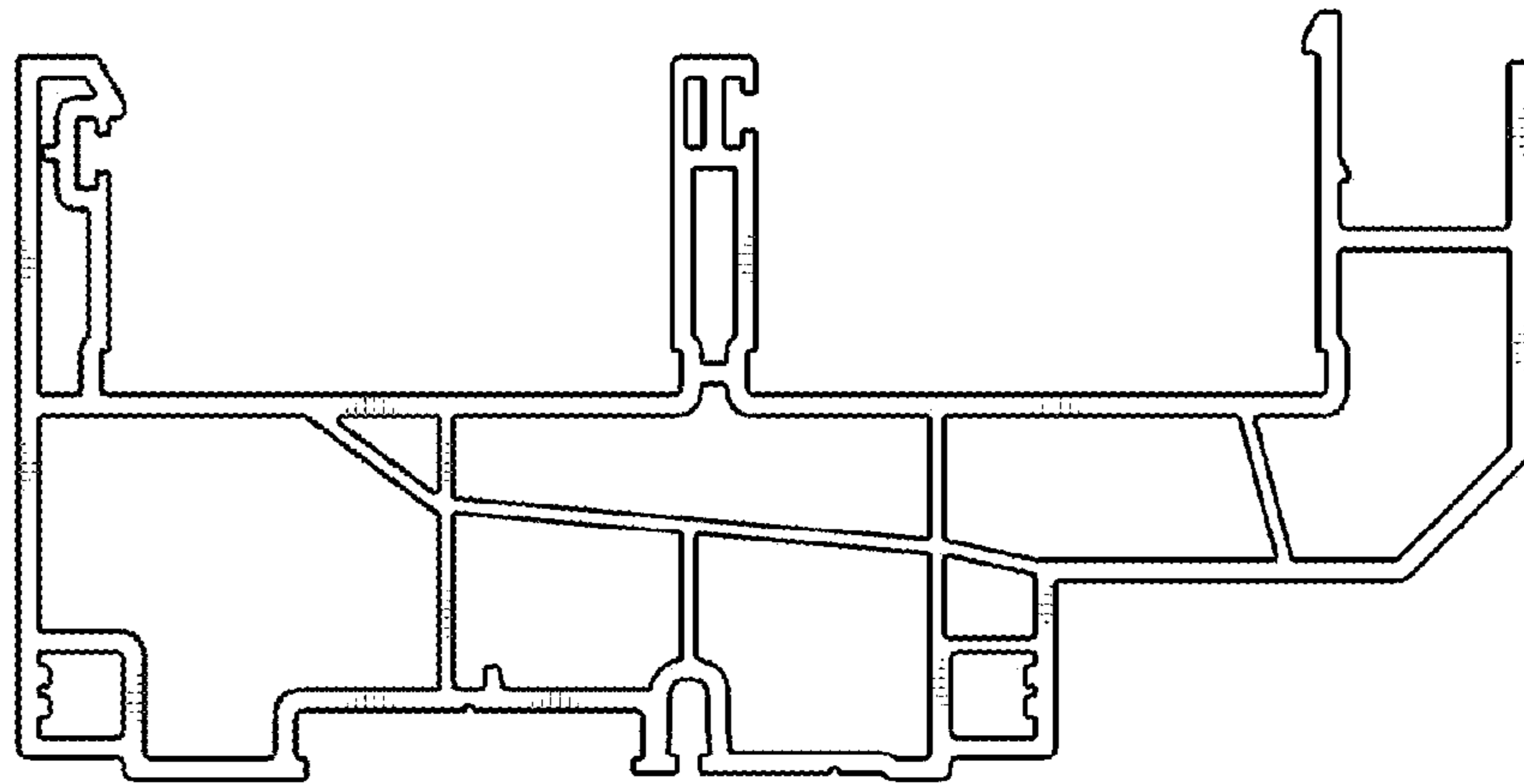


FIG. 4

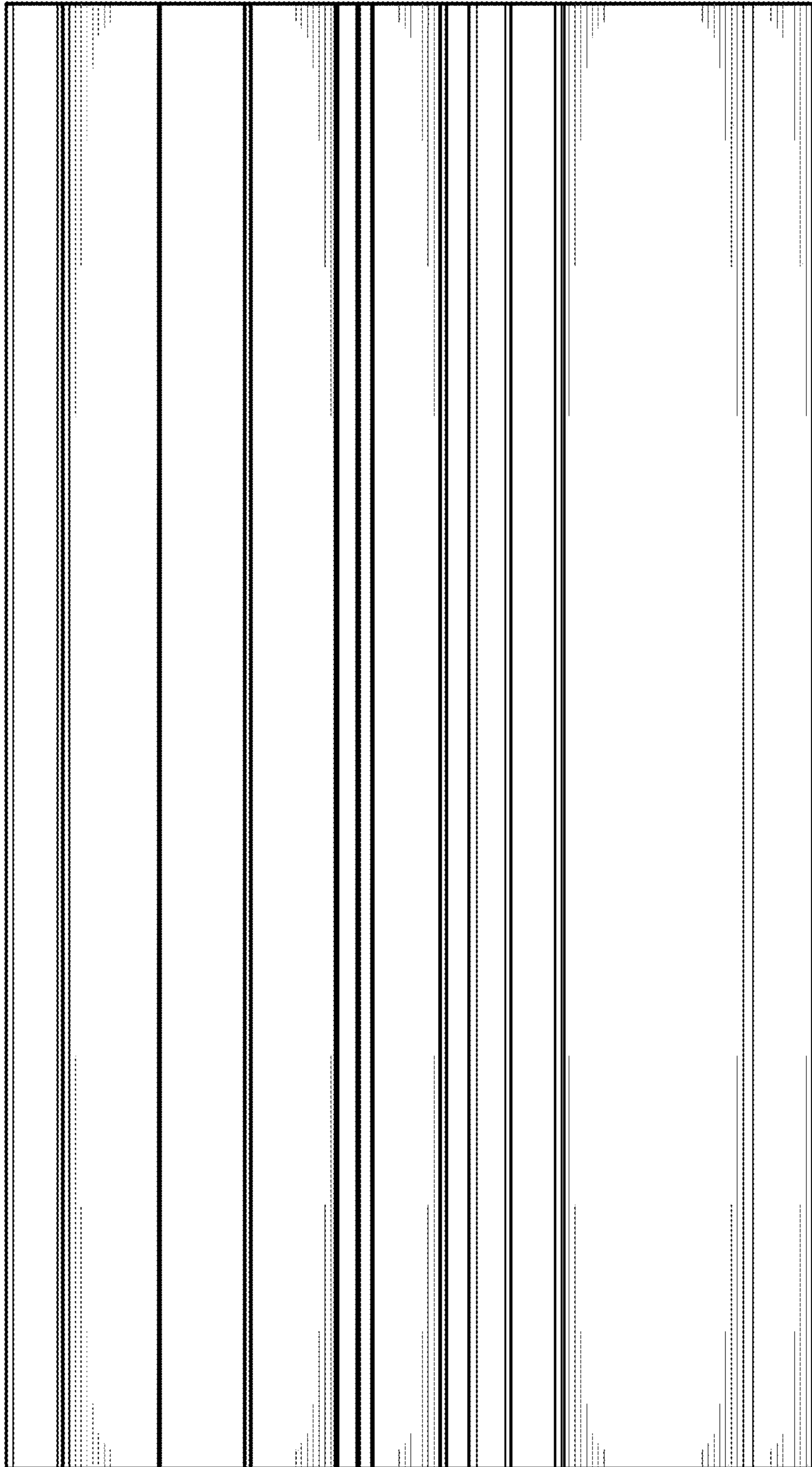


FIG. 5

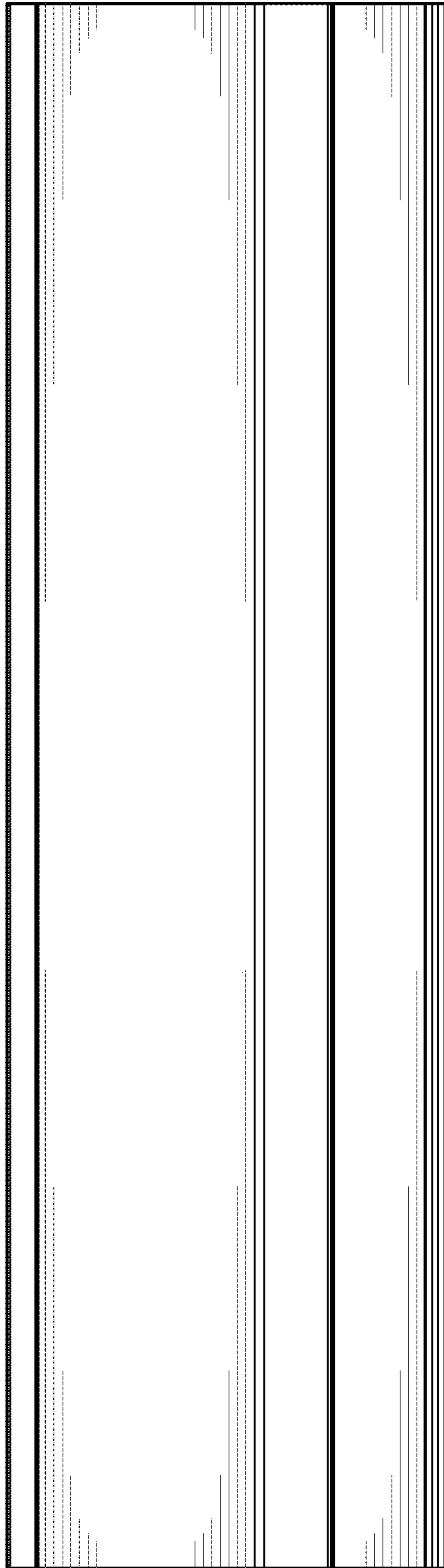


FIG. 6

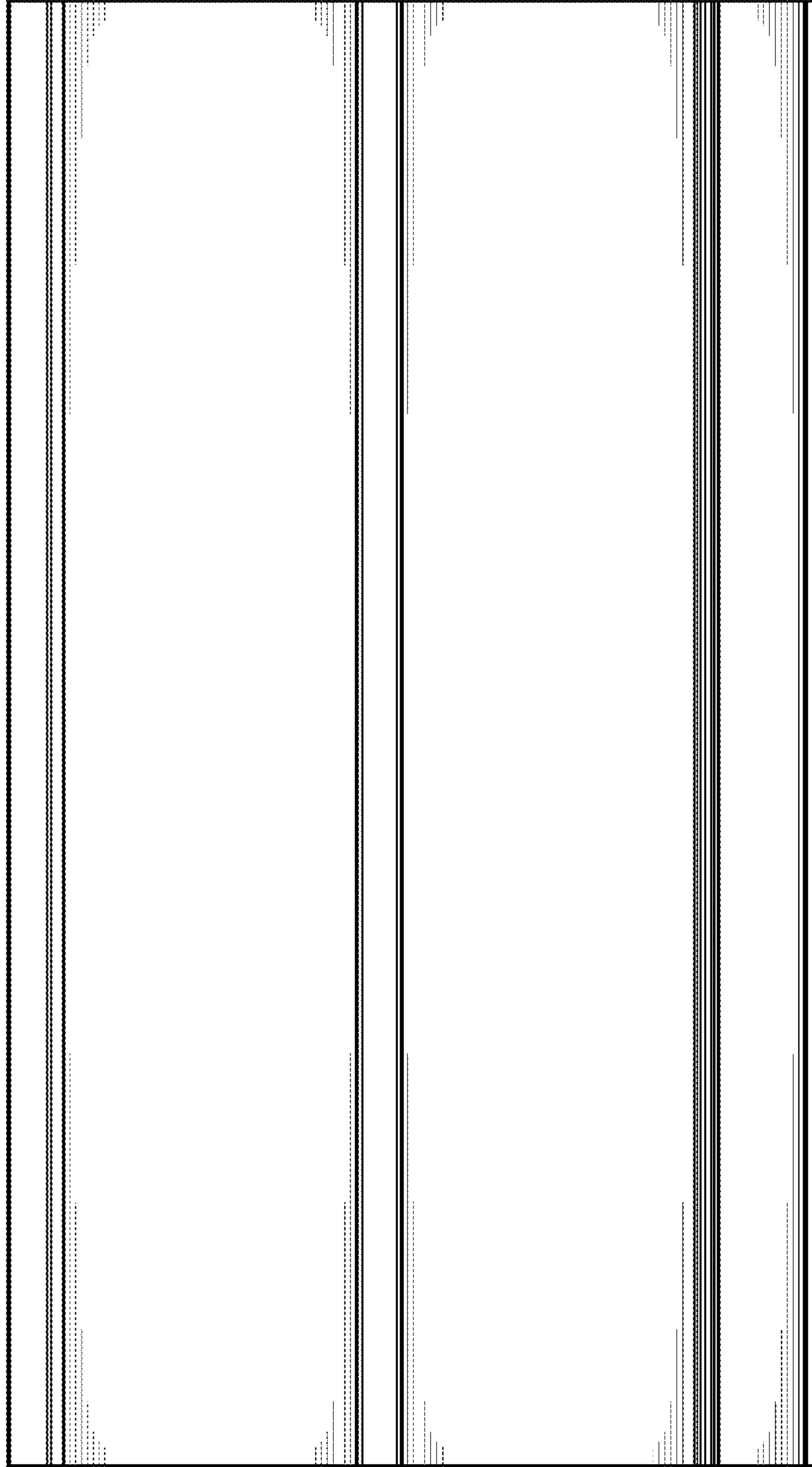


FIG. 7