



US00D713973S

(12) **United States Design Patent**  
**Herzog**

(10) **Patent No.:** **US D713,973 S**

(45) **Date of Patent:** **\*\* Sep. 23, 2014**

(54) **DIAGNOSTIC TEST DEVICE**

(71) Applicant: **PDx BioTech**, Lexington, KY (US)

(72) Inventor: **Leslie J. Herzog**, Lexington, KY (US)

(73) Assignee: **PDx BioTech**, Lexington, KY (US)

(\*\*) Term: **14 Years**

(21) Appl. No.: **29/433,011**

(22) Filed: **Sep. 25, 2012**

(51) **LOC (10) Cl.** ..... **24-01**

(52) **U.S. Cl.**  
USPC ..... **D24/223**

(58) **Field of Classification Search**  
USPC ..... D24/216–217, 219, 222–226, 227, 231,  
D24/232, 107, 169, 186; D10/81;  
422/400–404, 408, 430, 68.1, 69, 500;  
435/287.1, 287.7, 288.7  
See application file for complete search history.

(56) **References Cited**

**U.S. PATENT DOCUMENTS**

4,592,893	A *	6/1986	Poppe et al.	422/403
D308,722	S *	6/1990	Chang et al.	D24/223
D310,265	S *	8/1990	Mochnal et al.	D24/223
5,244,631	A *	9/1993	Morikawa	422/421
5,443,990	A *	8/1995	Harako	436/74
5,620,845	A *	4/1997	Gould et al.	435/5
D381,591	S *	7/1997	Rice et al.	D10/81
5,656,448	A *	8/1997	Kang et al.	435/7.94
5,985,675	A *	11/1999	Charm et al.	436/514
6,271,045	B1 *	8/2001	Douglas et al.	436/518

6,372,514	B1 *	4/2002	Lee	436/518
D694,425	S *	11/2013	Markovsky et al.	D24/225
2011/0020943	A1 *	1/2011	Okamoto et al.	436/73

\* cited by examiner

*Primary Examiner* — Anhdao Doan

(74) *Attorney, Agent, or Firm* — Viksnins Harris & Padys PLLP

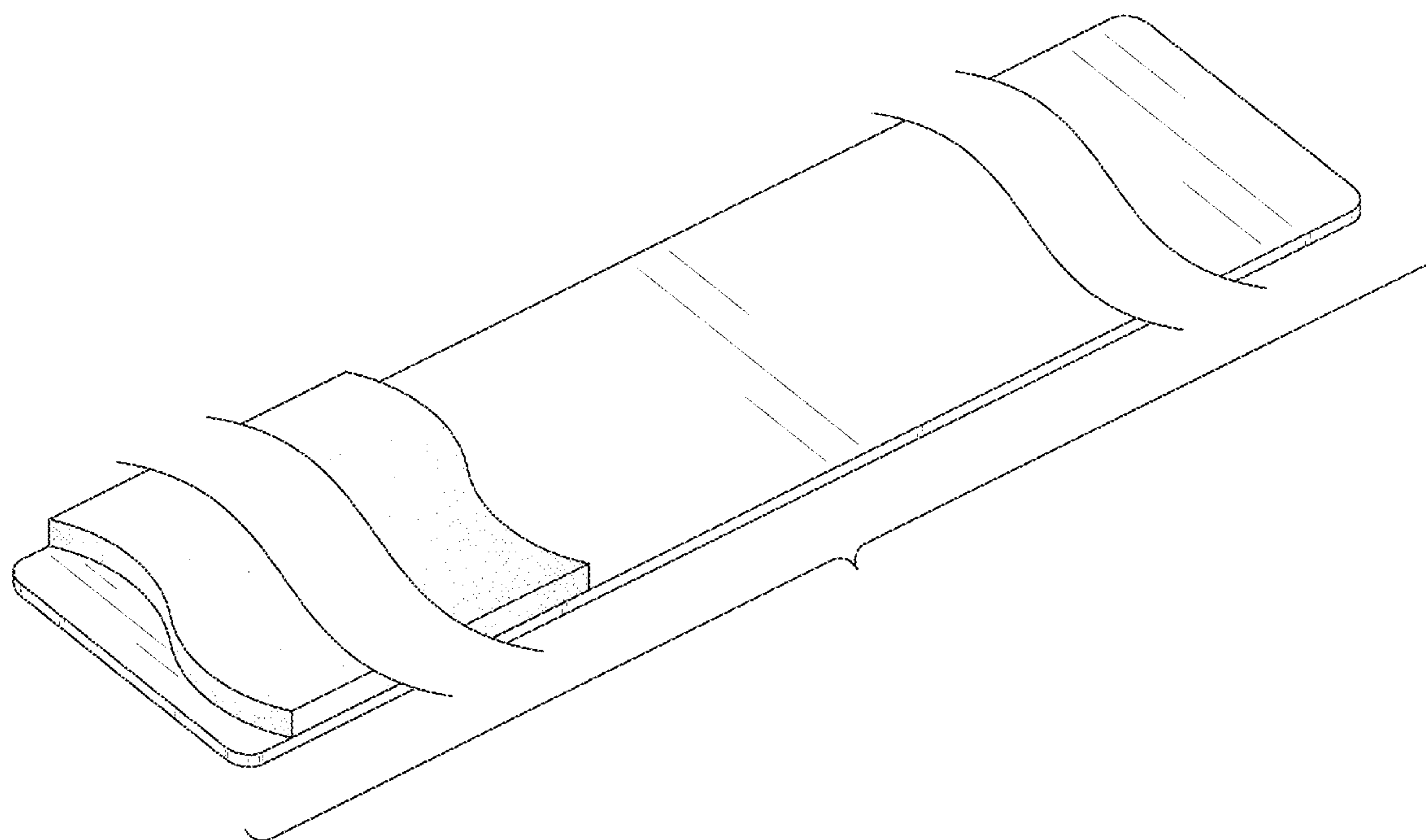
(57) **CLAIM**

The ornamental design for a diagnostic test device, as shown and described.

**DESCRIPTION**

FIG. 1 is a perspective view of a diagnostic test device. FIG. 2 is a top plan view of the diagnostic test device of FIG. 1. FIG. 3 is a bottom plan view of the diagnostic test device of FIG. 1. FIG. 4 is a first end view of the diagnostic test device of FIG. 1. FIG. 5 is a second end view of the diagnostic test device of FIG. 1. FIG. 6 is a first elevational view of the diagnostic test device of FIG. 1; and, FIG. 7 is a second elevational view of the diagnostic test device of FIG. 1. The diagnostic test device is broken away in FIGS. 1-3, 6 and 7 to indicate indeterminate length.

**1 Claim, 5 Drawing Sheets**



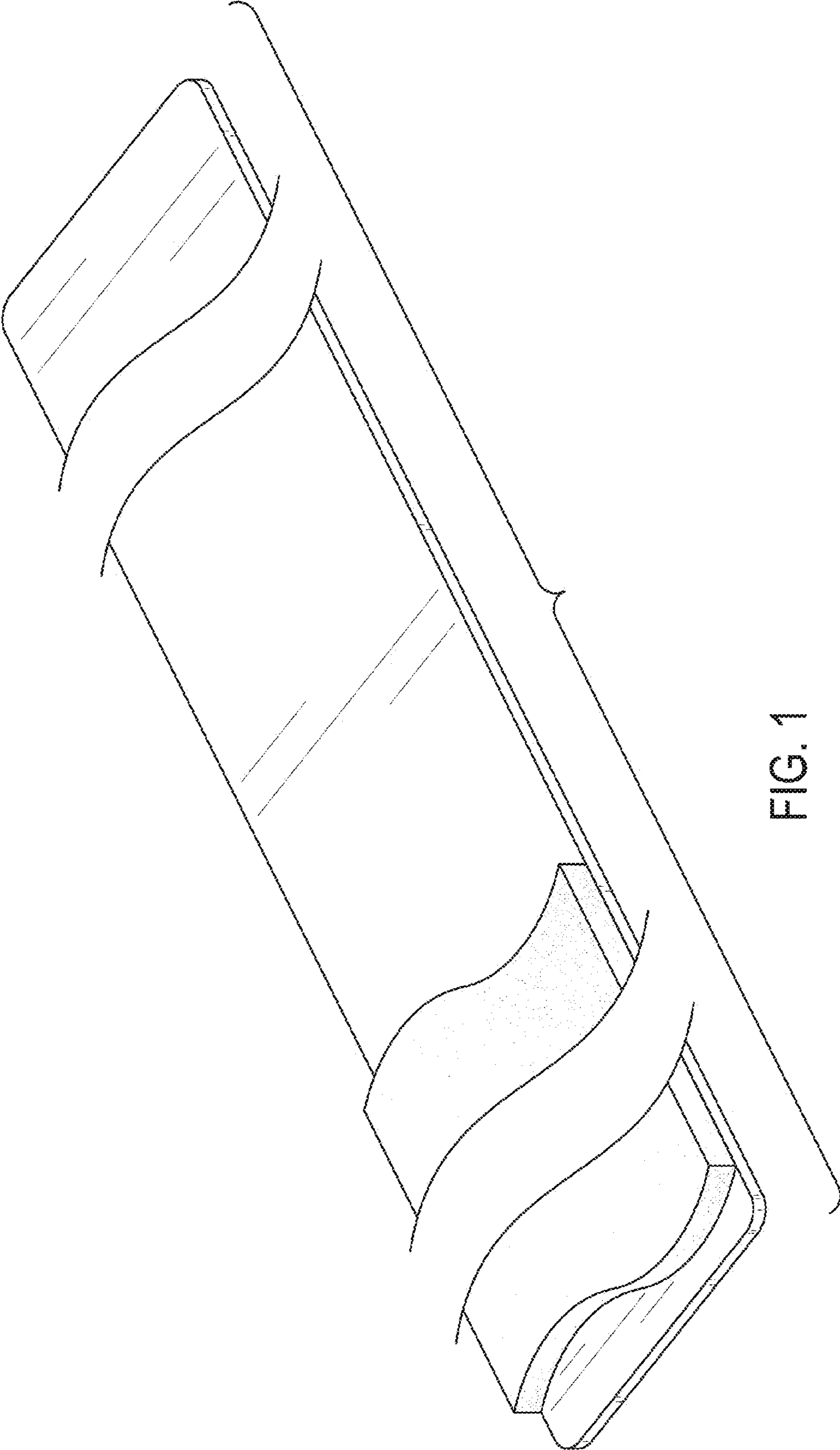


FIG. 1

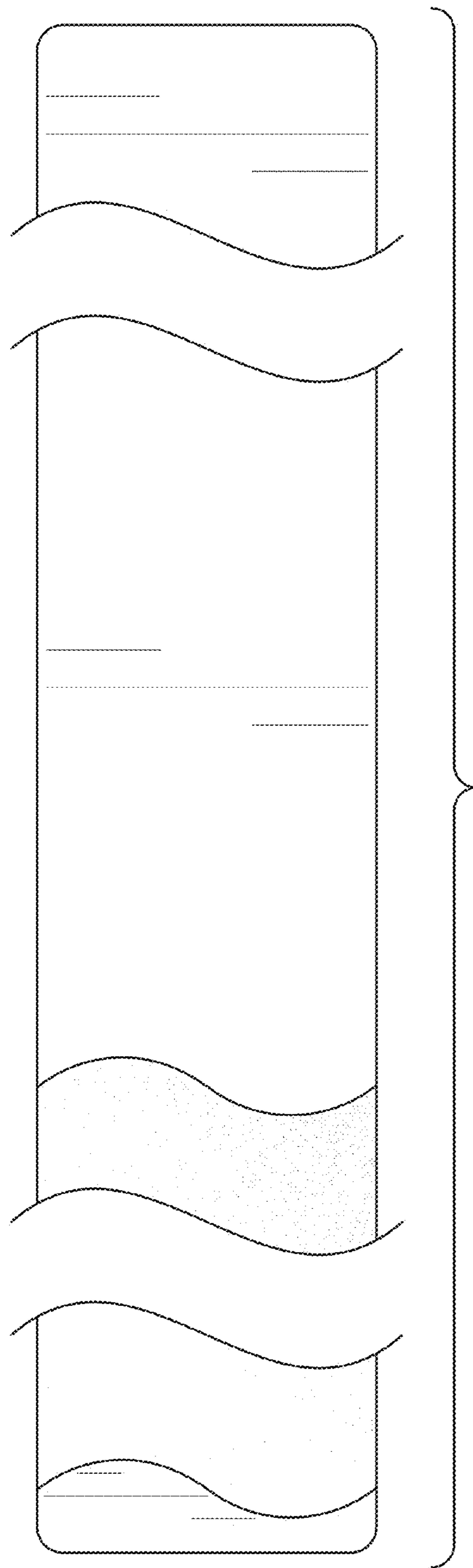


FIG. 2

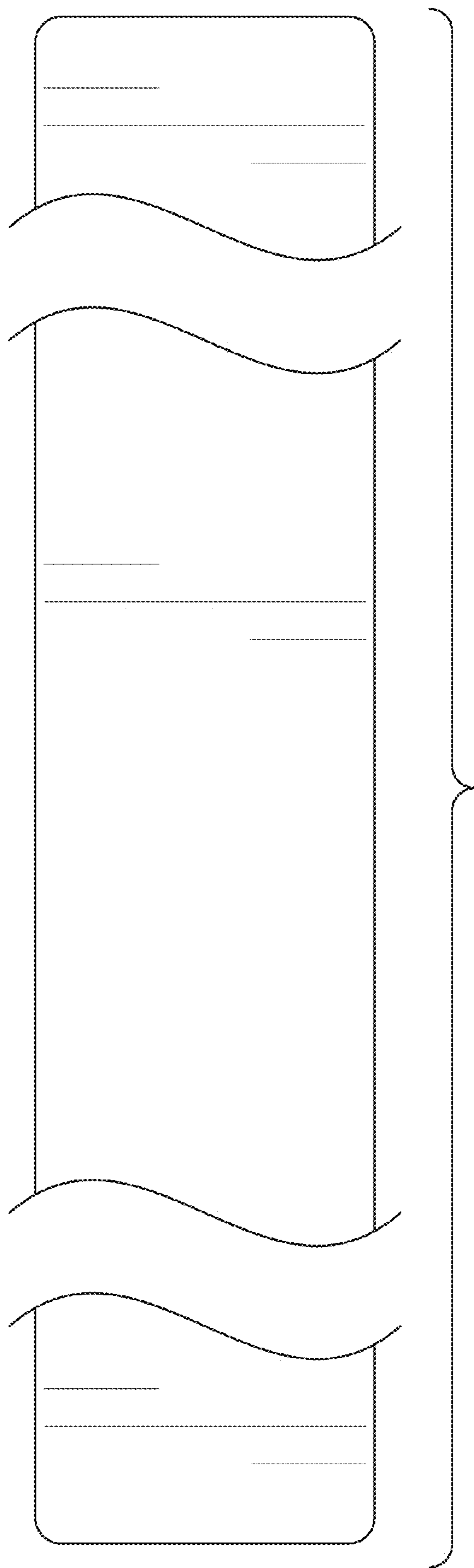


FIG. 3



FIG. 5

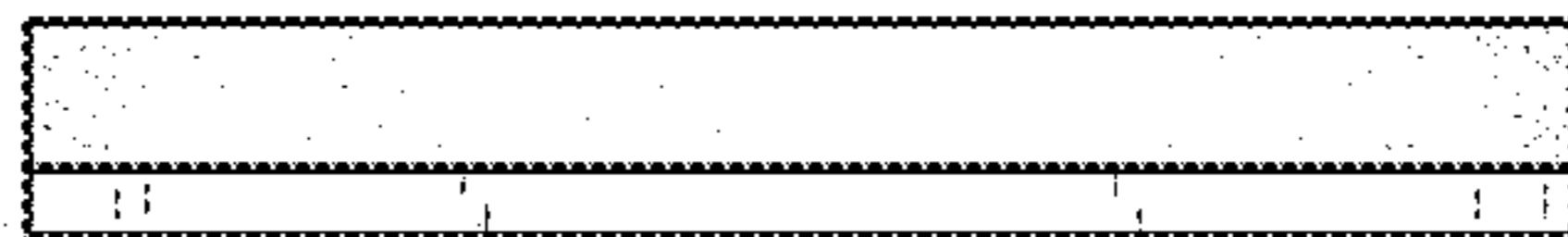


FIG. 4

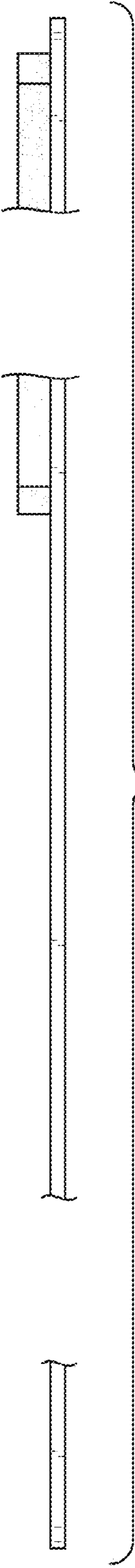


FIG. 6

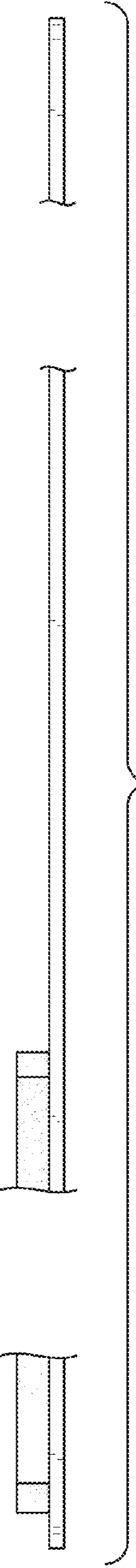


FIG. 7