



US00D713969S

(12) **United States Design Patent**
Robinson

(10) **Patent No.:** **US D713,969 S**

(45) **Date of Patent:** **** Sep. 23, 2014**

(54) **PORTABLE ELECTRONIC DEVICE FOR
STIMULATING MUSCLE CONTRACTION**

(71) Applicant: **Actegy Limited**, Berkshire (GB)

(72) Inventor: **David G Robinson**, Cambridge (GB)

(**) Term: **14 Years**

(21) Appl. No.: **29/435,494**

(22) Filed: **Oct. 24, 2012**

(30) **Foreign Application Priority Data**

Apr. 25, 2012 (EM) 002033001-0001

(51) **LOC (10) Cl.** **24-01**

(52) **U.S. Cl.**
USPC **D24/200**

(58) **Field of Classification Search**
CPC A61H 33/12; A61H 33/06; A61H 33/063;
A61H 2201/10; A61H 9/00; A61H 9/005;
A61M 11/041; A61M 2011/065; A61M
2209/084
USPC D24/200-213; 601/7, 15, 1; 401/28;
D4/136; D28/56-57, 61; 132/73;
602/30; 604/291

See application file for complete search history.

(56) **References Cited**

U.S. PATENT DOCUMENTS

D120,214 S * 4/1940 Carson D24/205
3,965,495 A * 6/1976 McNair 4/622
D280,934 S * 10/1985 MacGregor D24/212
D330,426 S * 10/1992 Elkerbout D24/213
D435,111 S * 12/2000 Kuo D24/213
D446,354 S * 8/2001 Jusinski D28/63
D478,670 S * 8/2003 Tsai D24/212
D496,468 S * 9/2004 Park D24/213
D508,132 S * 8/2005 Huang D24/212

D523,560 S * 6/2006 Tsai D24/212
D529,183 S * 9/2006 Cafaro D24/213
D531,732 S * 11/2006 Bean et al. D24/213
D537,949 S * 3/2007 Lie D24/213
D539,914 S * 4/2007 Park D24/213
D541,944 S * 5/2007 Chang D24/213
D542,927 S * 5/2007 Harris D24/215
7,278,431 B2 * 10/2007 Anderson et al. 132/76.4
7,354,393 B2 * 4/2008 Ardizzone et al. 600/9
D630,336 S * 1/2011 Park D24/213
8,545,516 B1 * 10/2013 Winnett et al. 606/131
2002/0013964 A1 * 2/2002 Kuen 4/622
2003/0070222 A1 * 4/2003 Bastia et al. 4/622
2003/0074730 A1 * 4/2003 Ferber et al. 4/622
2003/0220593 A1 * 11/2003 Morton 601/15
2005/0187496 A1 * 8/2005 Ho 601/15
2007/0078361 A1 * 4/2007 Wong et al. 601/29
2007/0267020 A1 * 11/2007 Harris et al. 128/205.24
2007/0299372 A1 * 12/2007 Chang 601/28
2012/0053493 A1 * 3/2012 Ip 601/2

* cited by examiner

Primary Examiner — Eric Goodman

Assistant Examiner — John Reickel

(74) *Attorney, Agent, or Firm* — Kimberly A. Chasteen

(57) **CLAIM**

The ornamental design for as portable electronic device for stimulating muscle contraction, as shown.

DESCRIPTION

FIG. 1 is a rear view of a portable electronic device for stimulating muscle contraction according to the present invention;

FIG. 2 is a rear perspective view;

FIG. 3 is a bottom view;

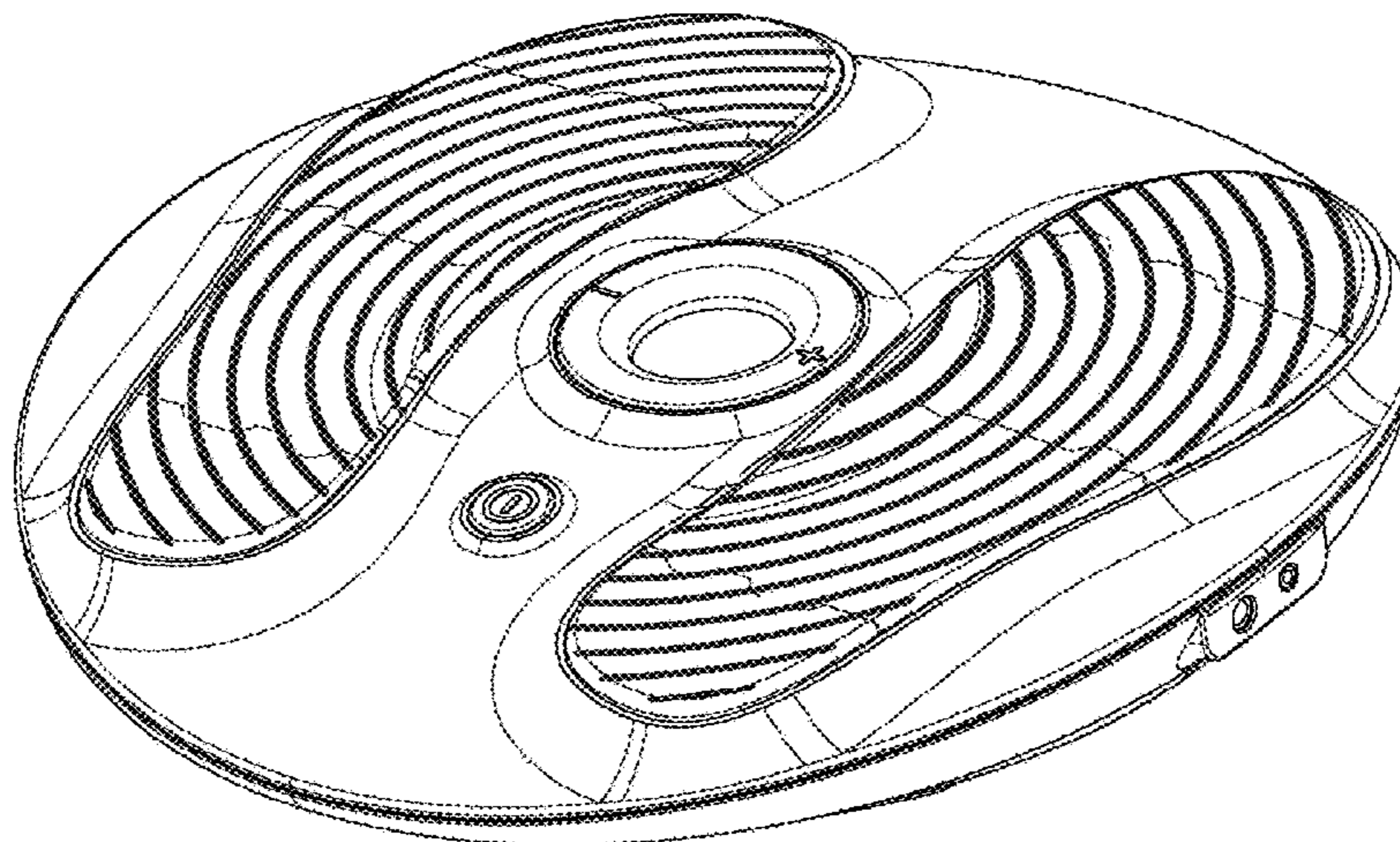
FIG. 4 is a front view;

FIG. 5 is a left side view;

FIG. 6 is a right side view; and,

FIG. 7 is a top view.

1 Claim, 4 Drawing Sheets



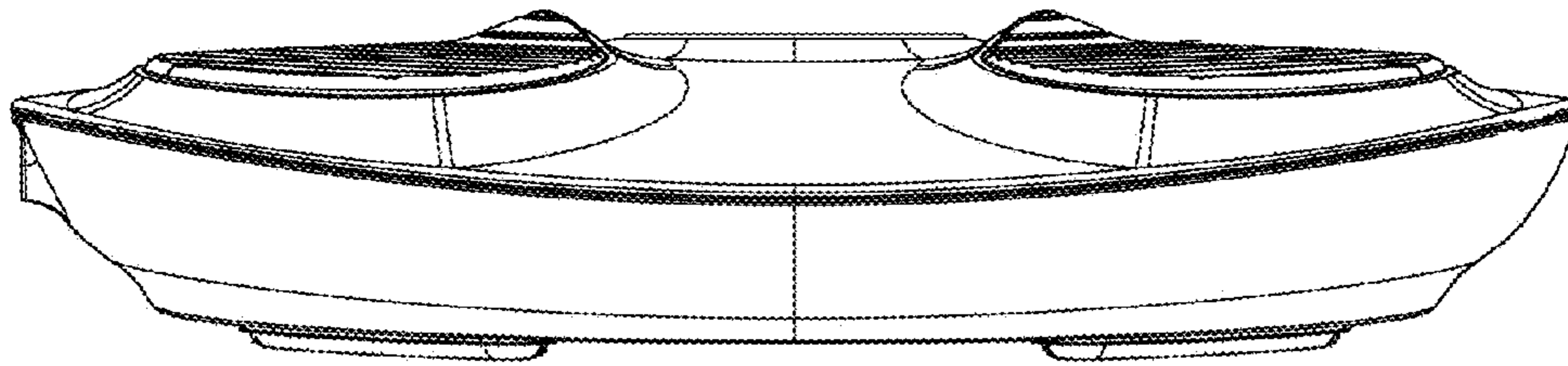


Fig. 1

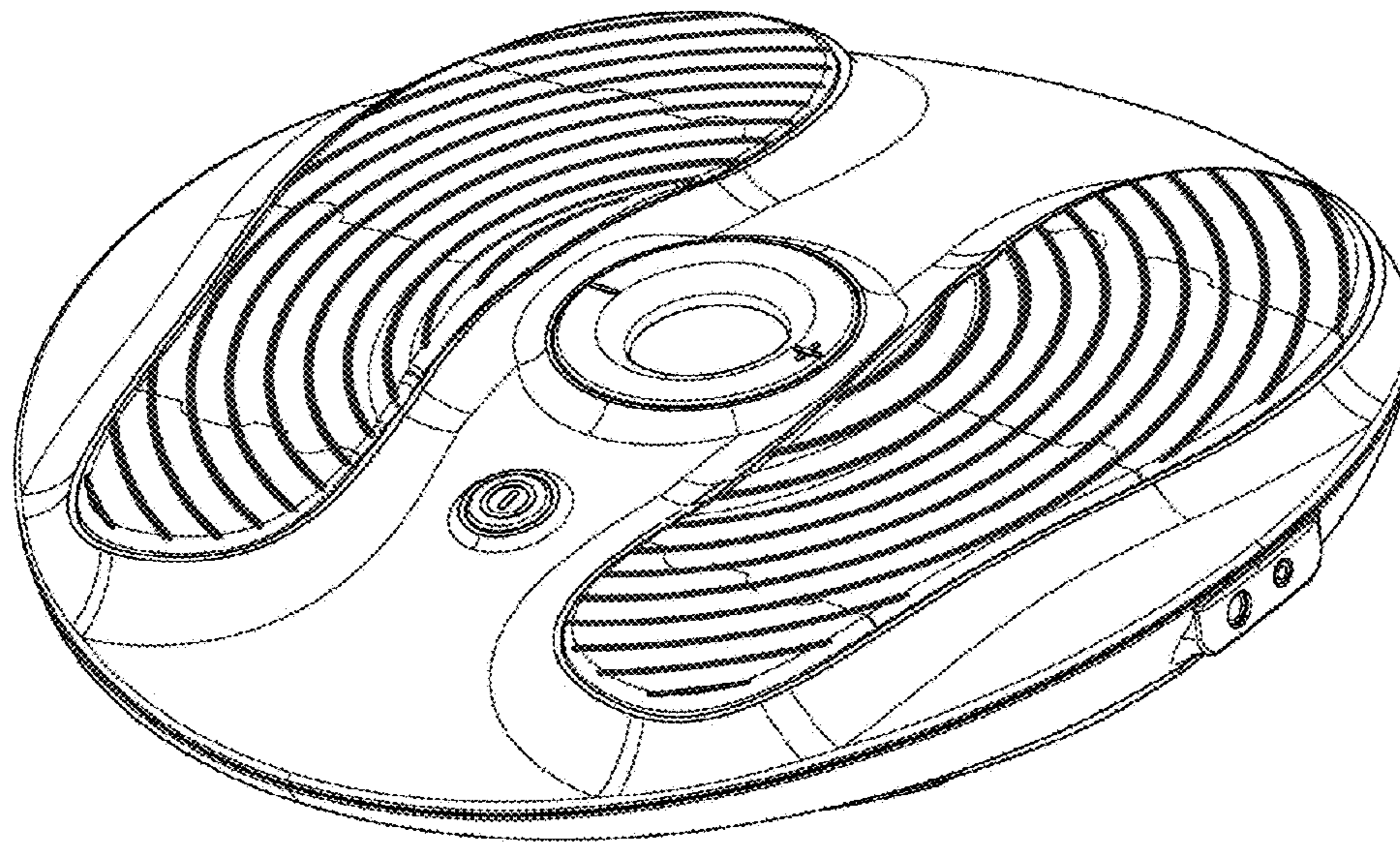


Fig. 2

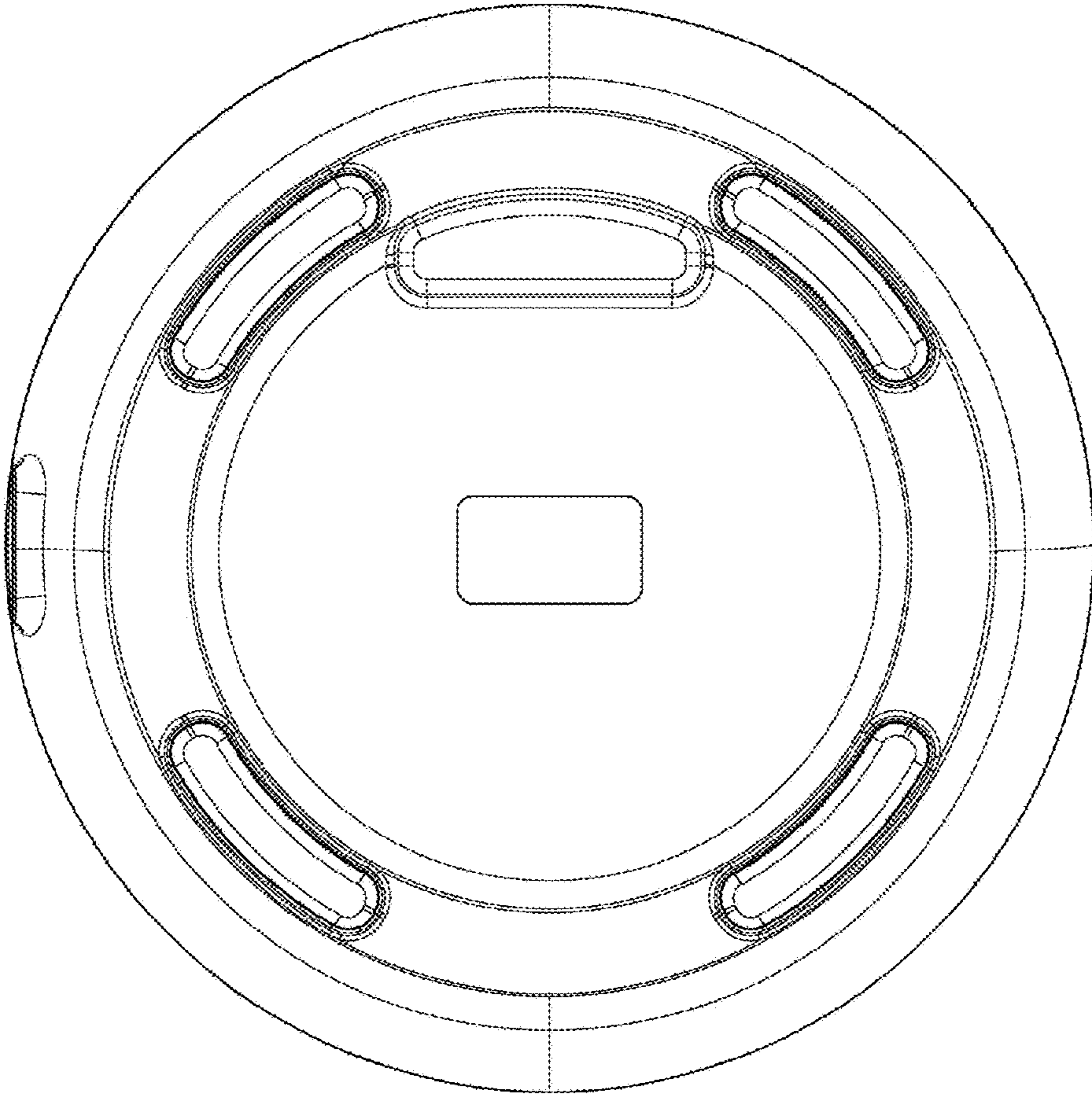


Fig. 3

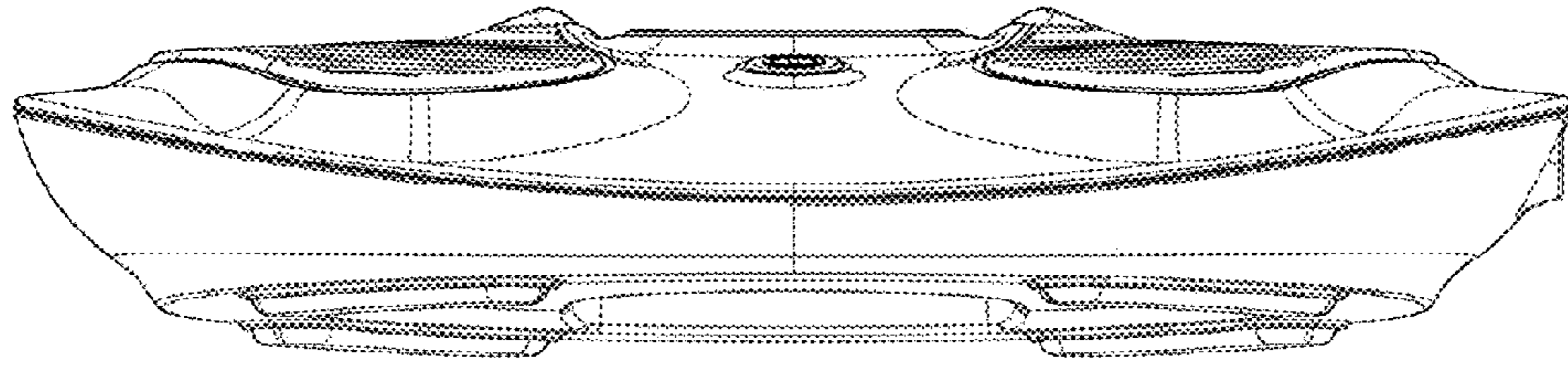


Fig. 4

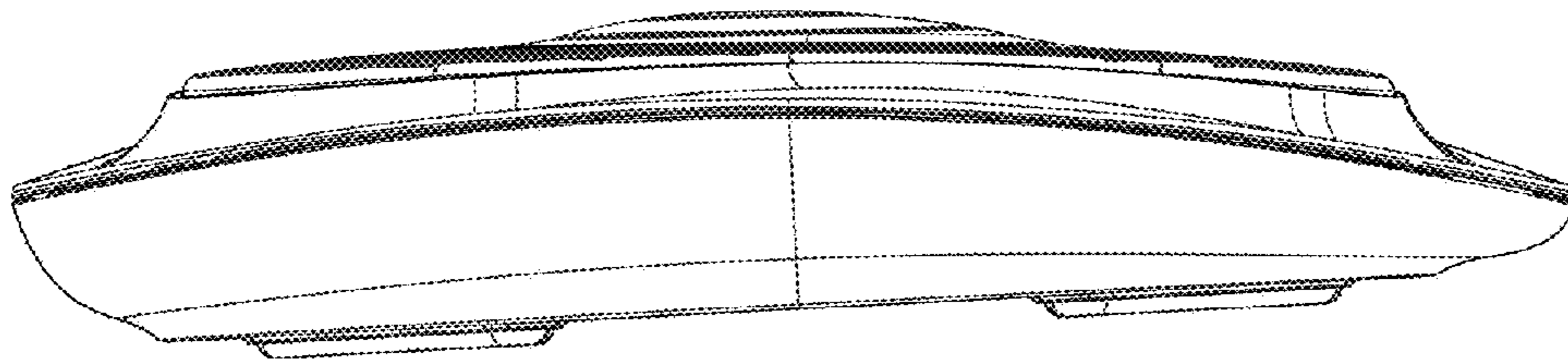


Fig. 5

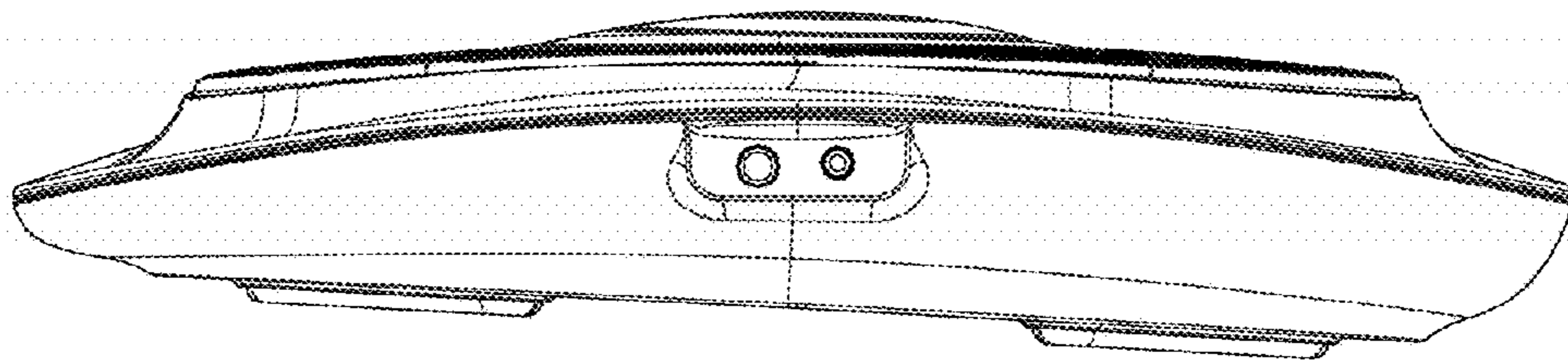


Fig. 6

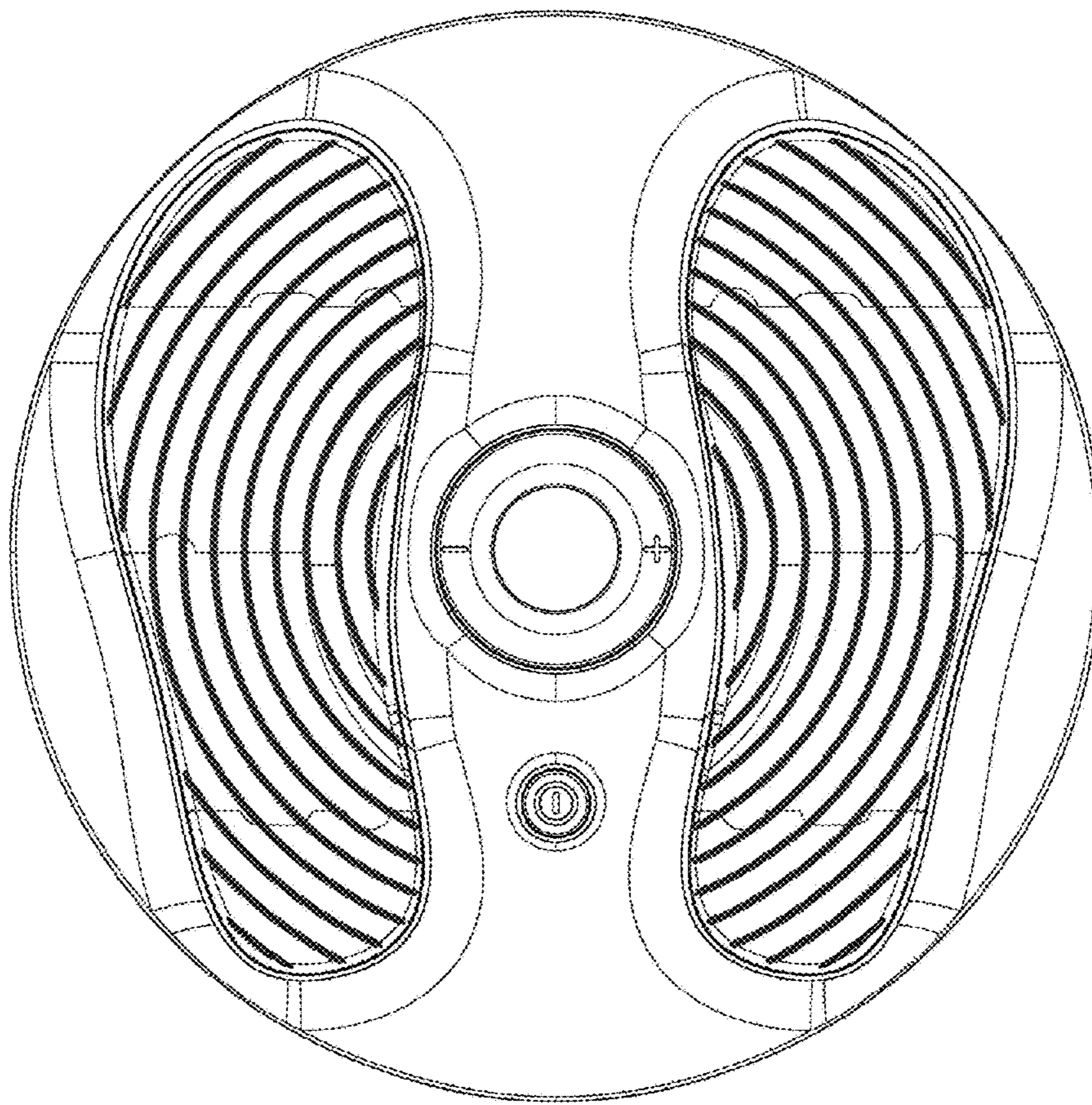


Fig. 7