



US00D713965S

(12) **United States Design Patent**  
**Campagna**

(10) **Patent No.:** **US D713,965 S**

(45) **Date of Patent:** **\*\* Sep. 23, 2014**

(54) **SHOULDER POSITIONING DEVICE**

(75) Inventor: **Michael Campagna**, Oak Park, IL (US)

(73) Assignee: **Design MD LLC**

(\*\*) Term: **14 Years**

(21) Appl. No.: **29/396,109**

(22) Filed: **Jun. 24, 2011**

(51) **LOC (10) Cl.** ..... **24-04**

(52) **U.S. Cl.**  
USPC ..... **D24/188**

(58) **Field of Classification Search**  
USPC ..... D24/183, 188; D21/662, 673, 675, 676,  
D21/684, 686; 482/133, 134, 135, 136, 137,  
482/92; 601/33  
See application file for complete search history.

(56) **References Cited**

**U.S. PATENT DOCUMENTS**

|           |     |         |                  |         |
|-----------|-----|---------|------------------|---------|
| 2,590,739 | A * | 3/1952  | Wagner et al.    | 602/39  |
| 3,168,094 | A * | 2/1965  | Siltamaki        | 602/32  |
| 3,194,232 | A * | 7/1965  | Rickenbach       | 606/243 |
| 3,222,029 | A * | 12/1965 | Hildemann        | 254/8 R |
| 3,675,646 | A * | 7/1972  | Corcoran         | 602/32  |
| 3,685,511 | A * | 8/1972  | Alvarez          | 601/115 |
| 4,602,619 | A * | 7/1986  | Wolf et al.      | 606/241 |
| 4,616,637 | A * | 10/1986 | Caspari et al.   | 602/39  |
| 4,637,604 | A * | 1/1987  | Burt DuPont      | 482/148 |
| 4,807,605 | A * | 2/1989  | Mattingly        | 602/19  |
| D309,184  | S * | 7/1990  | Sanderson et al. | D24/183 |
| D475,757  | S * | 6/2003  | Silverman et al. | D21/673 |

\* cited by examiner

*Primary Examiner* — T. Chase Nelson

*Assistant Examiner* — Michelle E Wilson

(74) *Attorney, Agent, or Firm* — Ariel S. Bentolila; Bay Area IP Group, LLC

(57) **CLAIM**

The ornamental design for a shoulder positioning device, substantially as shown and described.

**DESCRIPTION**

FIG. 1 is a perspective view of a shoulder positioning device when oriented to push a right shoulder of a patient;

FIG. 2 is a top view of the shoulder positioning device shown in FIG. 1;

FIG. 3 is a bottom view of the shoulder positioning device shown in FIG. 1;

FIG. 4 is a side view of the shoulder positioning device shown in FIG. 1 when oriented to push a left shoulder of a patient; and

FIG. 5 is a side view of the shoulder positioning device shown in FIG. 1;

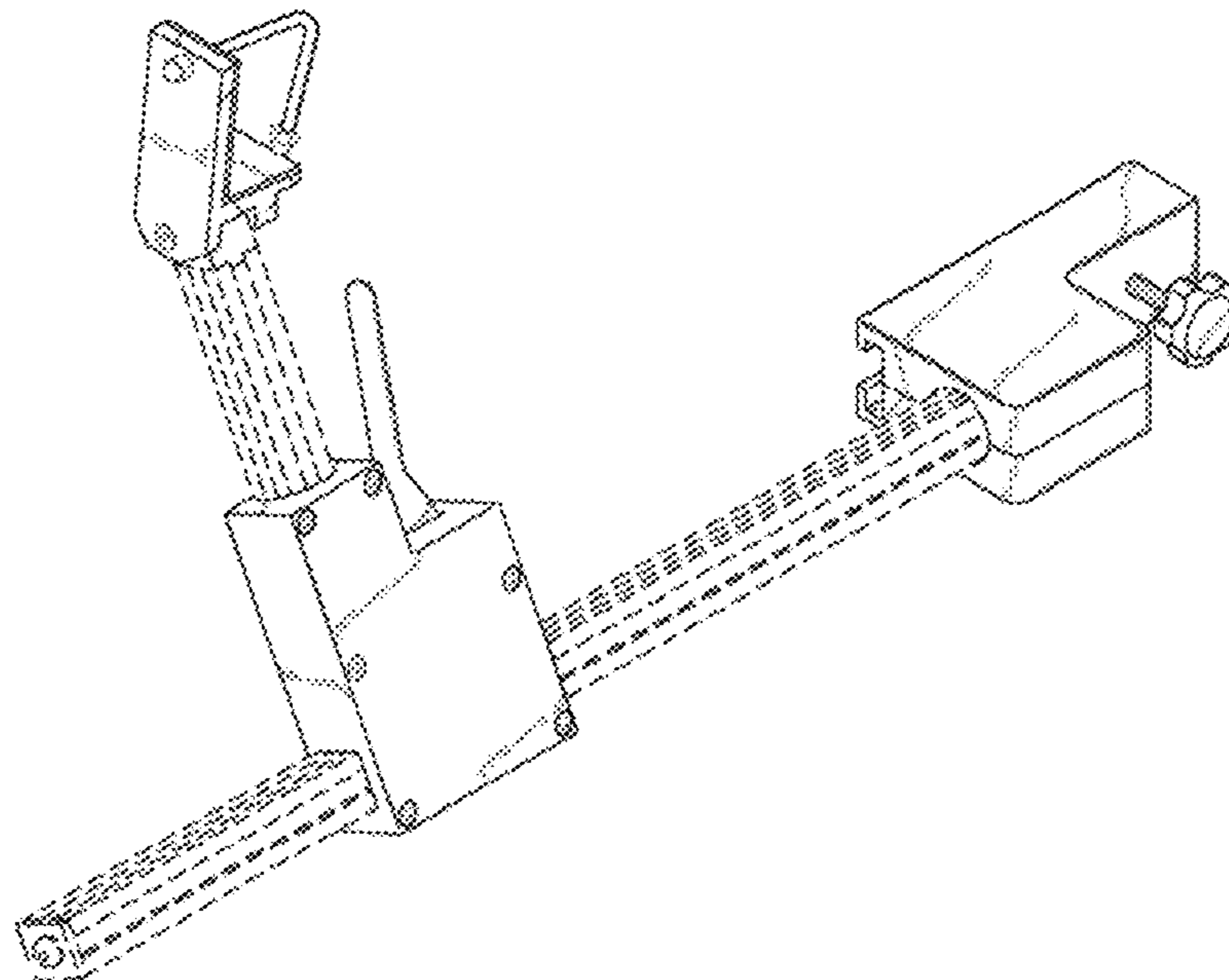
FIG. 6 is a rear view of the shoulder positioning device shown in FIG. 1; and,

FIG. 7 is a front view of the shoulder positioning device shown in FIG. 4.

In a preferred embodiment, the nature of this product is as a braking and clamping mechanism, which is primarily useful for attaching a shoulder position device to a structure and holding the device in place.

The broken lines of the shoulder positioning device are for illustrative purposes only and form no part of the claimed design.

**1 Claim, 5 Drawing Sheets**



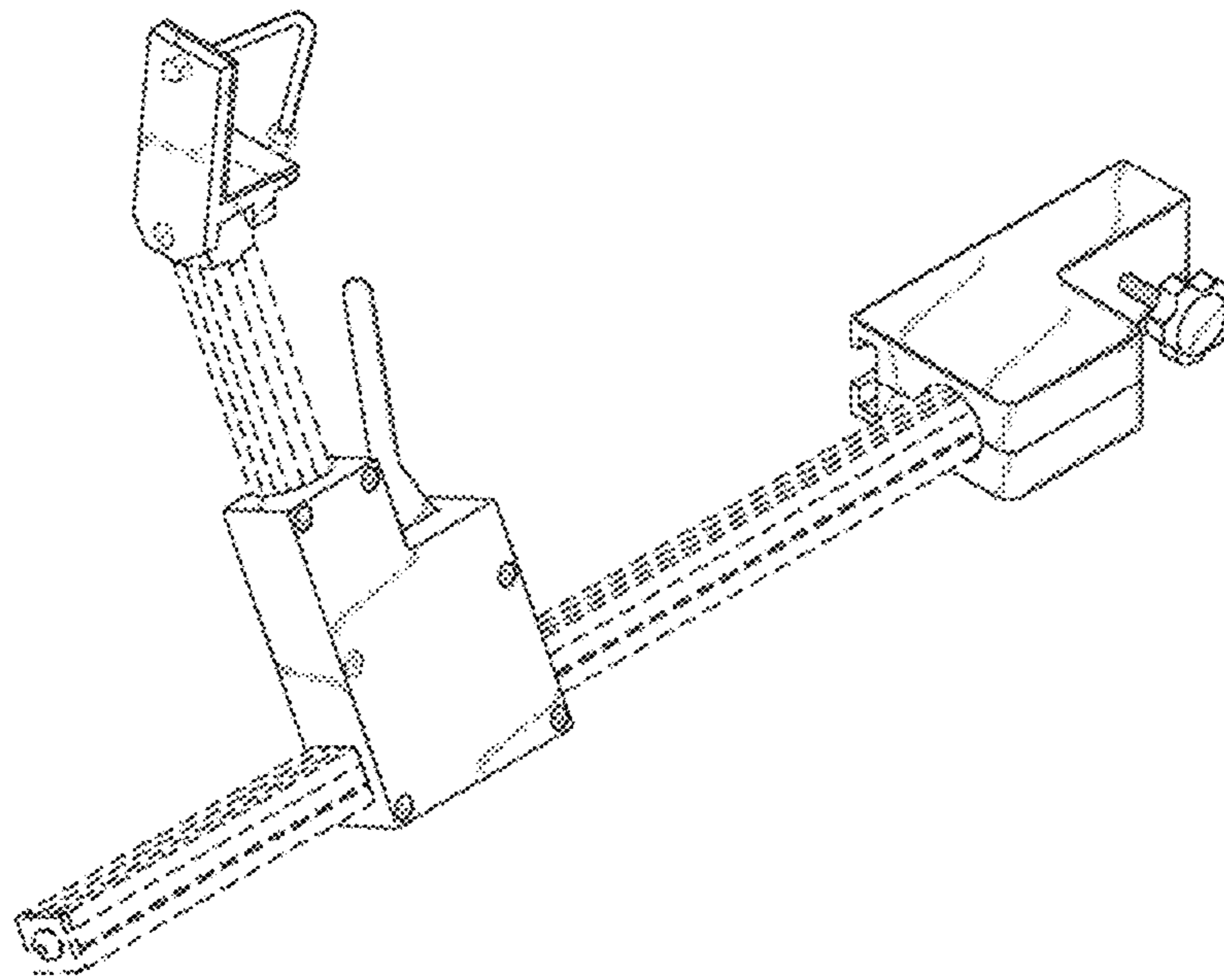


FIG. 1

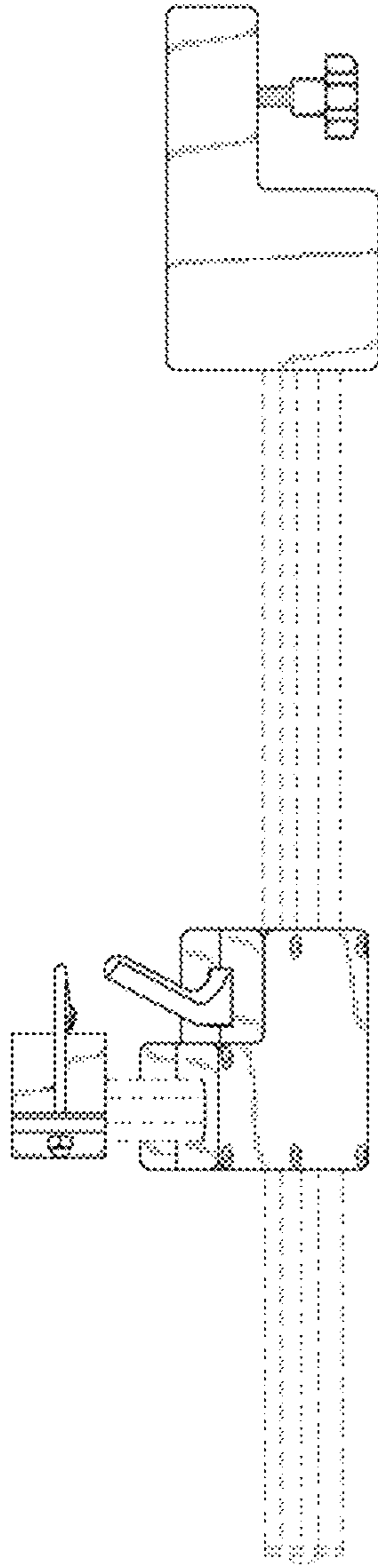


FIG. 2

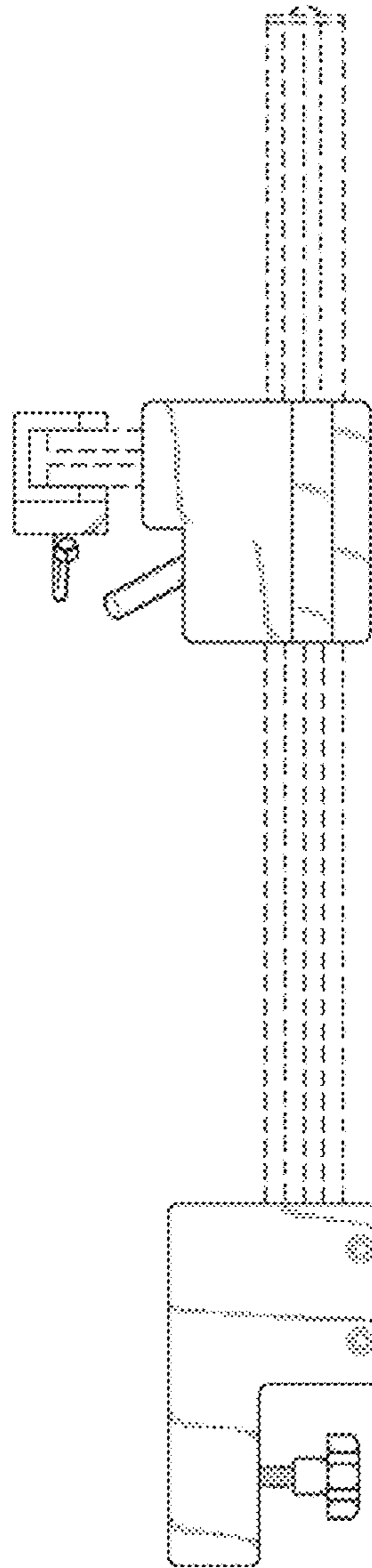


FIG. 3

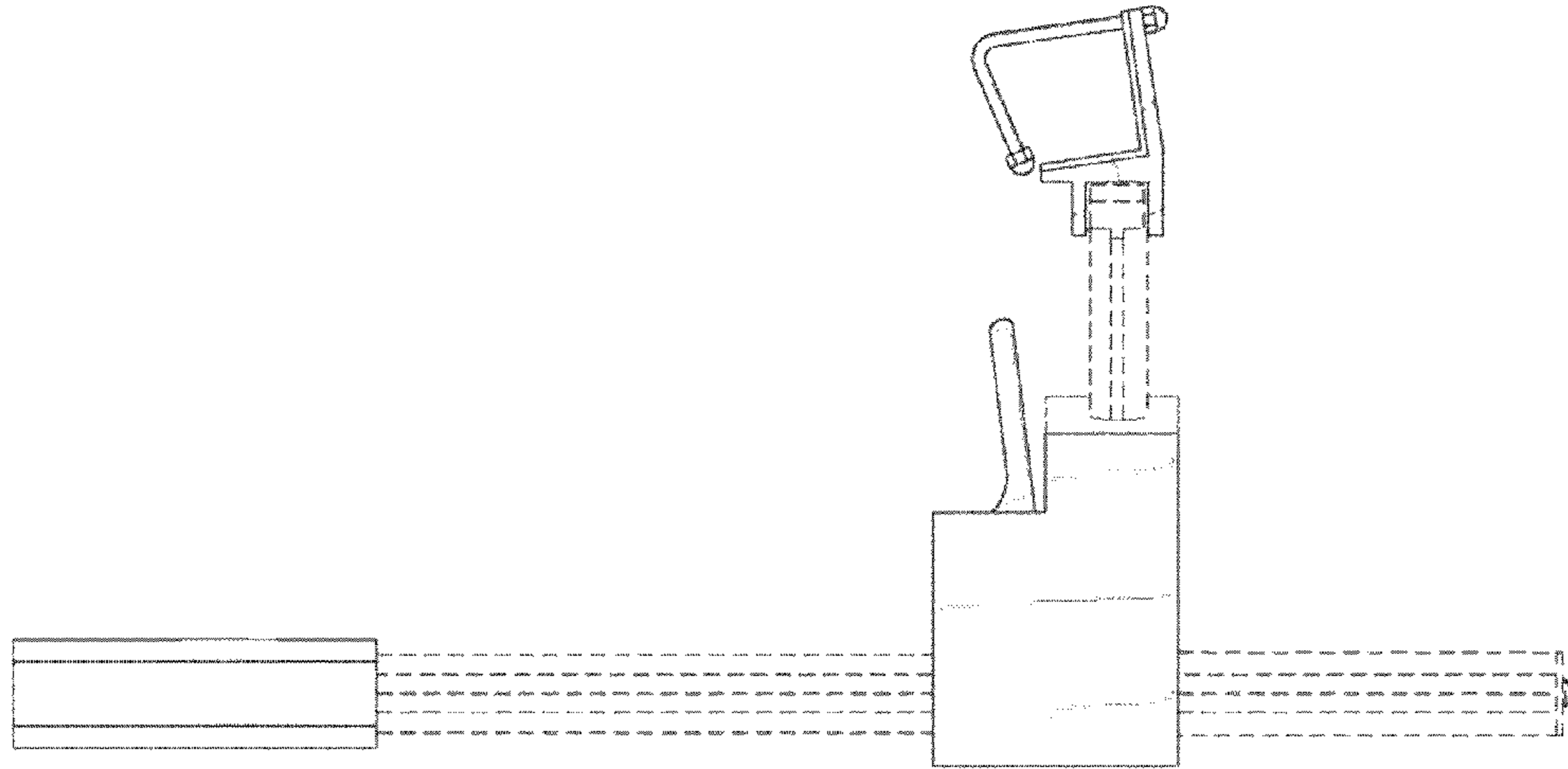


FIG. 4

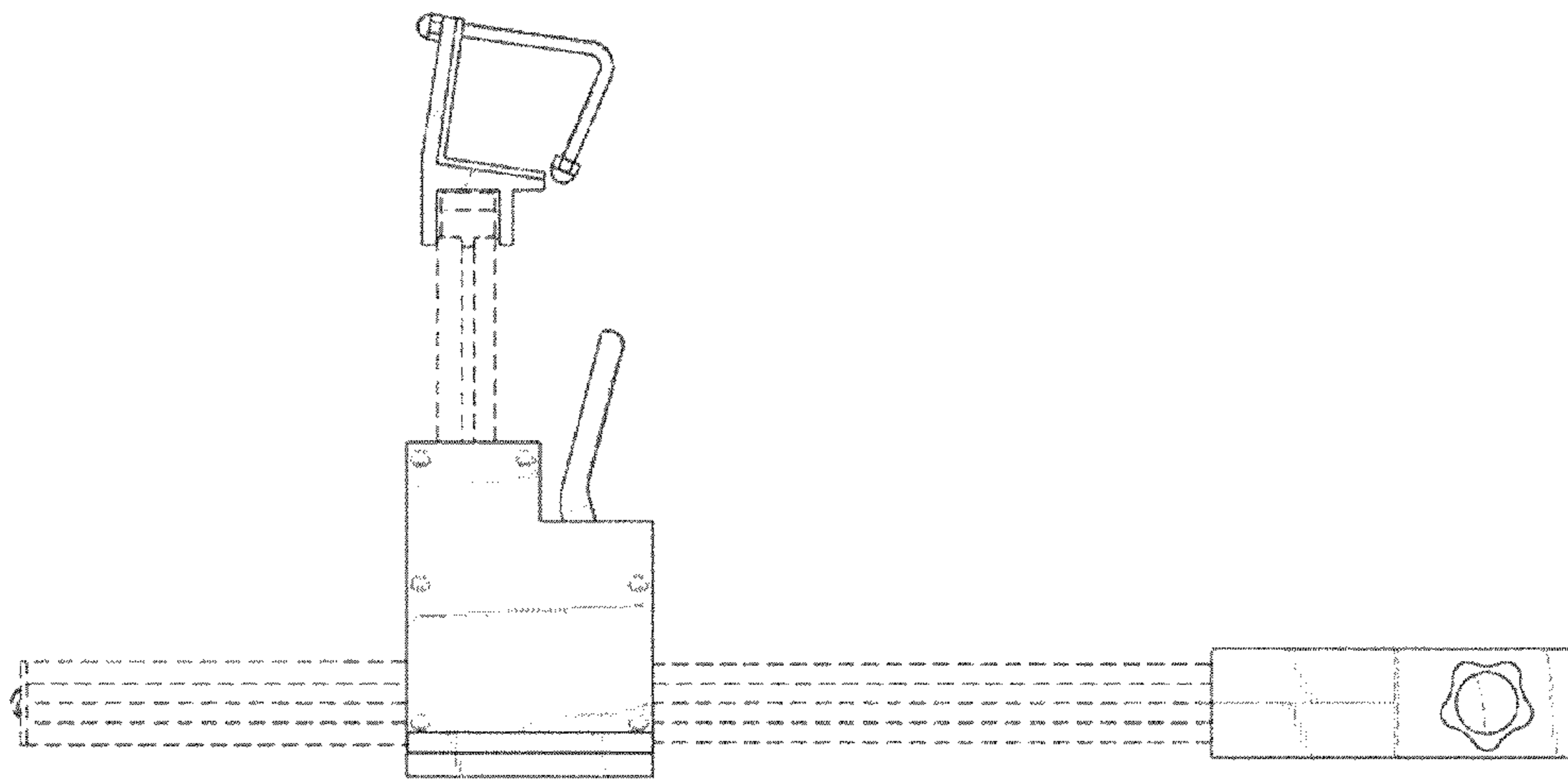


FIG. 5

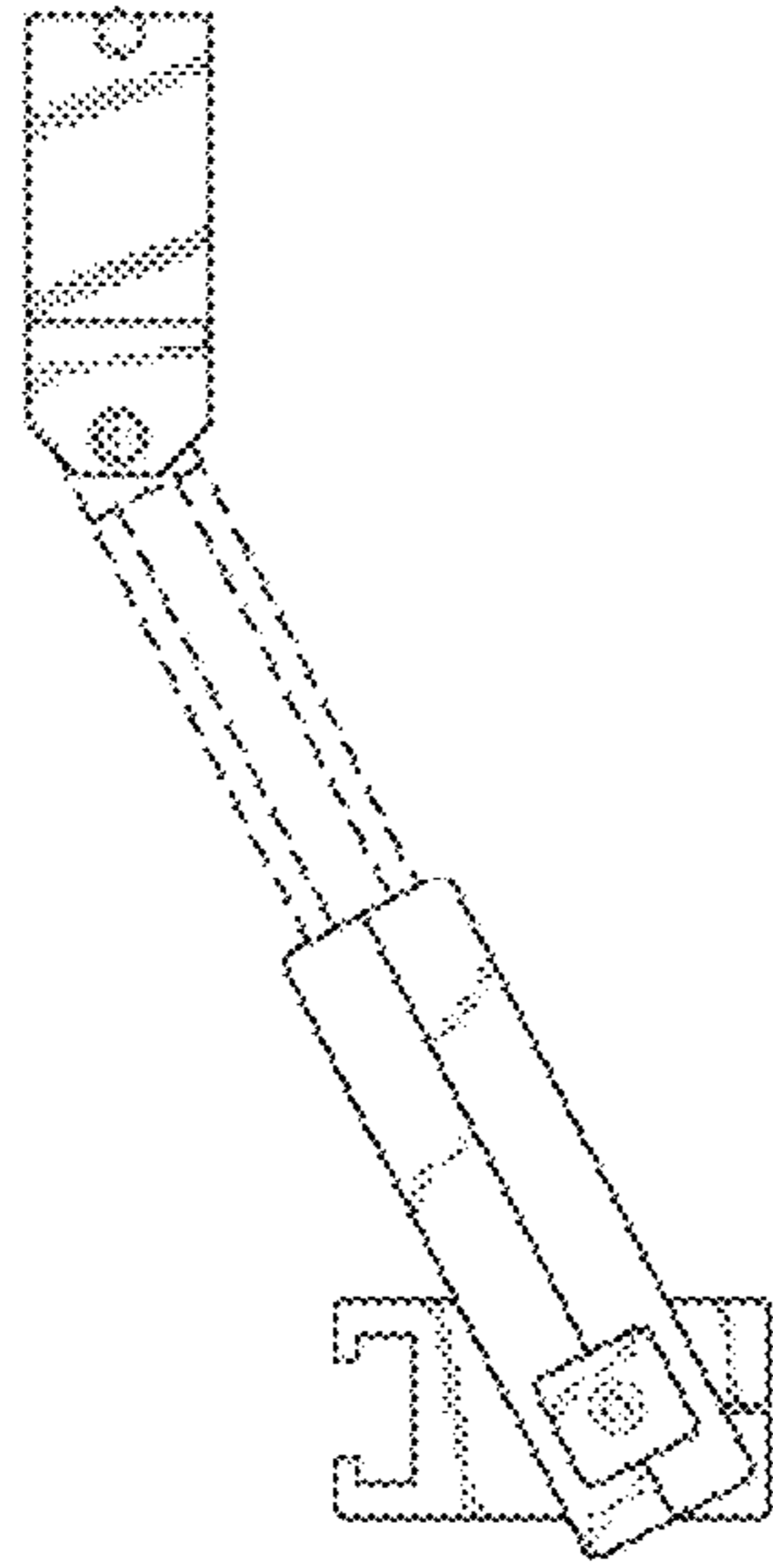


FIG. 6

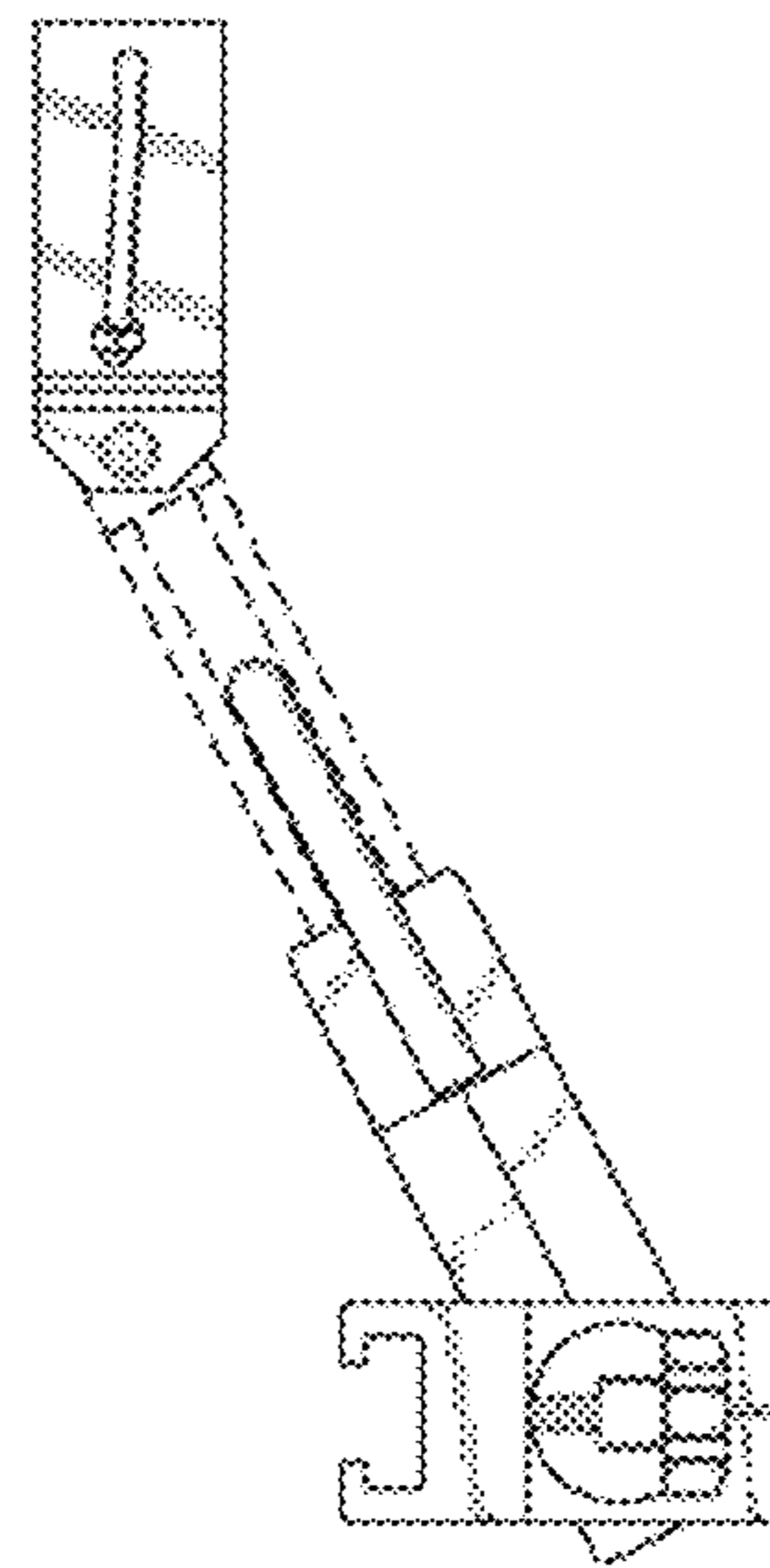


FIG. 7