



US00D713962S

(12) **United States Design Patent**  
**Wodecki**

(10) **Patent No.:** **US D713,962 S**  
(45) **Date of Patent:** **\*\* Sep. 23, 2014**

(54) **NEONATAL MAGNETIC RESONANCE  
SCANNER**

(71) Applicant: **General Electric Company,**  
Schenectady, NY (US)

(72) Inventor: **Lionel Jean-Francois Wodecki,**  
Maisons-Alfort (FR)

(73) Assignee: **General Electric Company,**  
Schenectady, NY (US)

(\*\*) Term: **14 Years**

(21) Appl. No.: **29/473,617**

(22) Filed: **Nov. 25, 2013**

(51) **LOC (10) Cl.** ..... **24-01**

(52) **U.S. Cl.**  
USPC ..... **D24/158**

(58) **Field of Classification Search**  
USPC ..... D24/158-161, 185, 186; 378/4, 15, 17,  
378/21, 23-27, 62, 68, 196-198; 600/410,  
600/421, 422

See application file for complete search history.

(56) **References Cited**

**U.S. PATENT DOCUMENTS**

D355,719 S \* 2/1995 Murakami et al. .... D24/159  
6,611,702 B2 8/2003 Rohling et al.

D527,105 S \* 8/2006 Kitayama et al. .... D24/158  
D557,418 S \* 12/2007 Onuma et al. .... D24/158  
D639,949 S \* 6/2011 Wodecki ..... D24/158  
D639,953 S 6/2011 Wodecki  
D659,248 S \* 5/2012 Ramos ..... D24/159  
D667,118 S 9/2012 Wodecki  
D683,024 S \* 5/2013 Baba ..... D24/158  
D700,968 S \* 3/2014 Delaey et al. .... D24/159  
2012/0256099 A1 \* 10/2012 Gregerson et al. .... 378/4

\* cited by examiner

*Primary Examiner* — Anhdao Doan

(74) *Attorney, Agent, or Firm* — Andrus Intellectual  
Property Law, LLP

(57) **CLAIM**

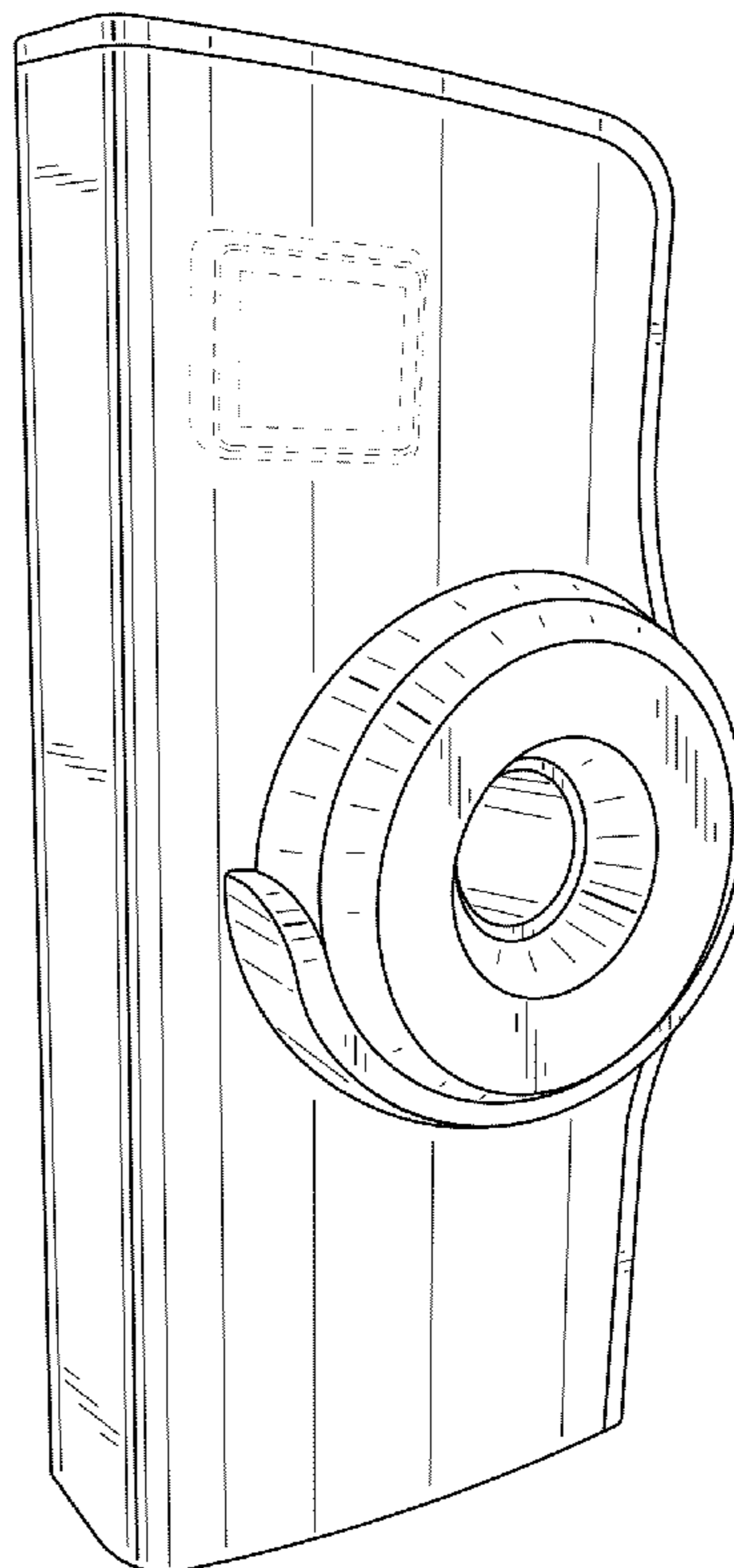
The ornamental design for a neonatal magnetic resonance  
scanner, as shown and described.

**DESCRIPTION**

FIG. 1 is a perspective view of a neonatal magnetic resonance  
scanner incorporating my new design;  
FIG. 2 is a front elevation view thereof;  
FIG. 3 is a back elevation view thereof;  
FIG. 4 is a left side elevation view thereof;  
FIG. 5 is a right side elevation view thereof;  
FIG. 6 is a top plan view thereof; and,  
FIG. 7 is a bottom plan view thereof.

The broken lines shown in the drawing Figures are for pur-  
poses of illustrating unclaimed portions of the article and  
form no part of the claimed design.

**1 Claim, 5 Drawing Sheets**



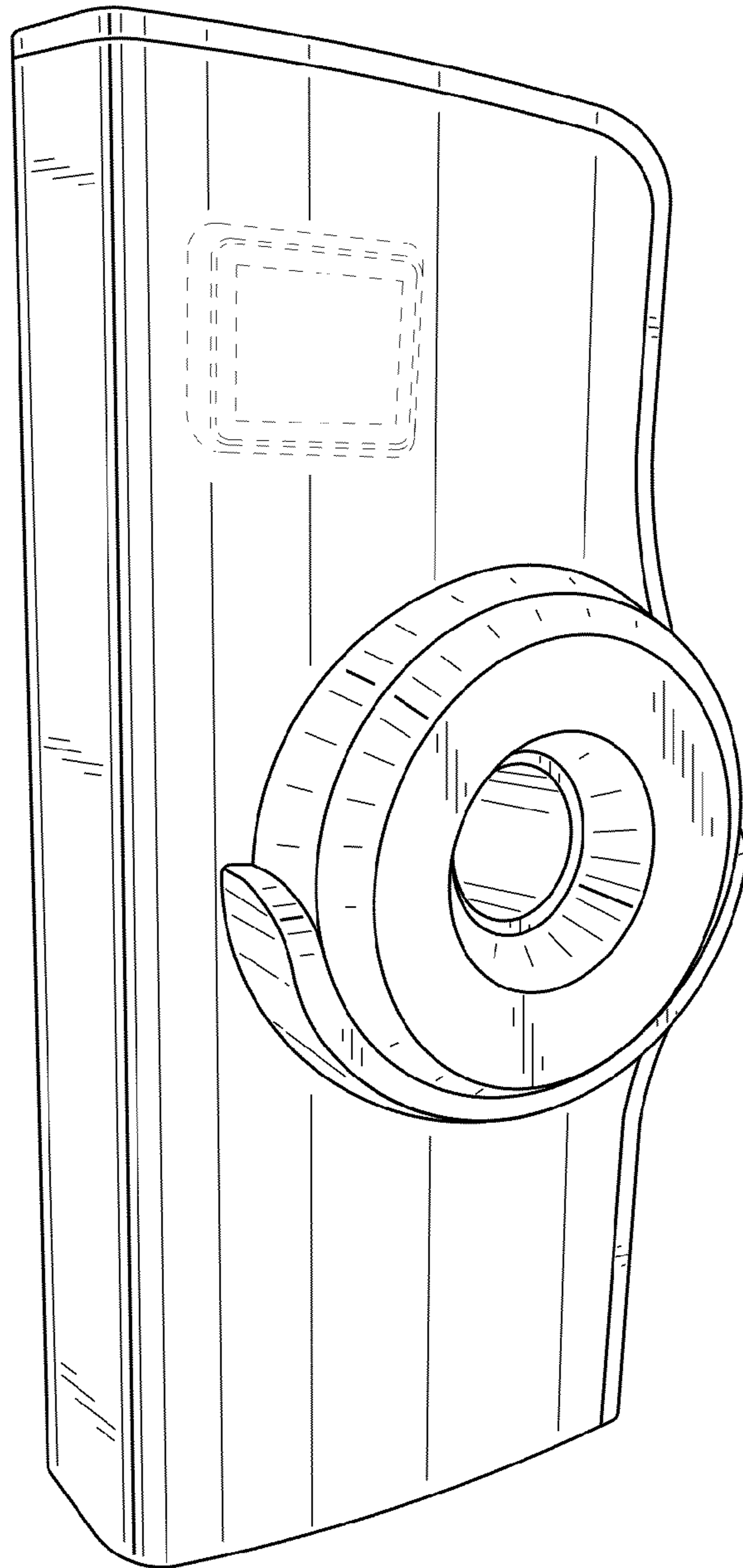


FIG. 1

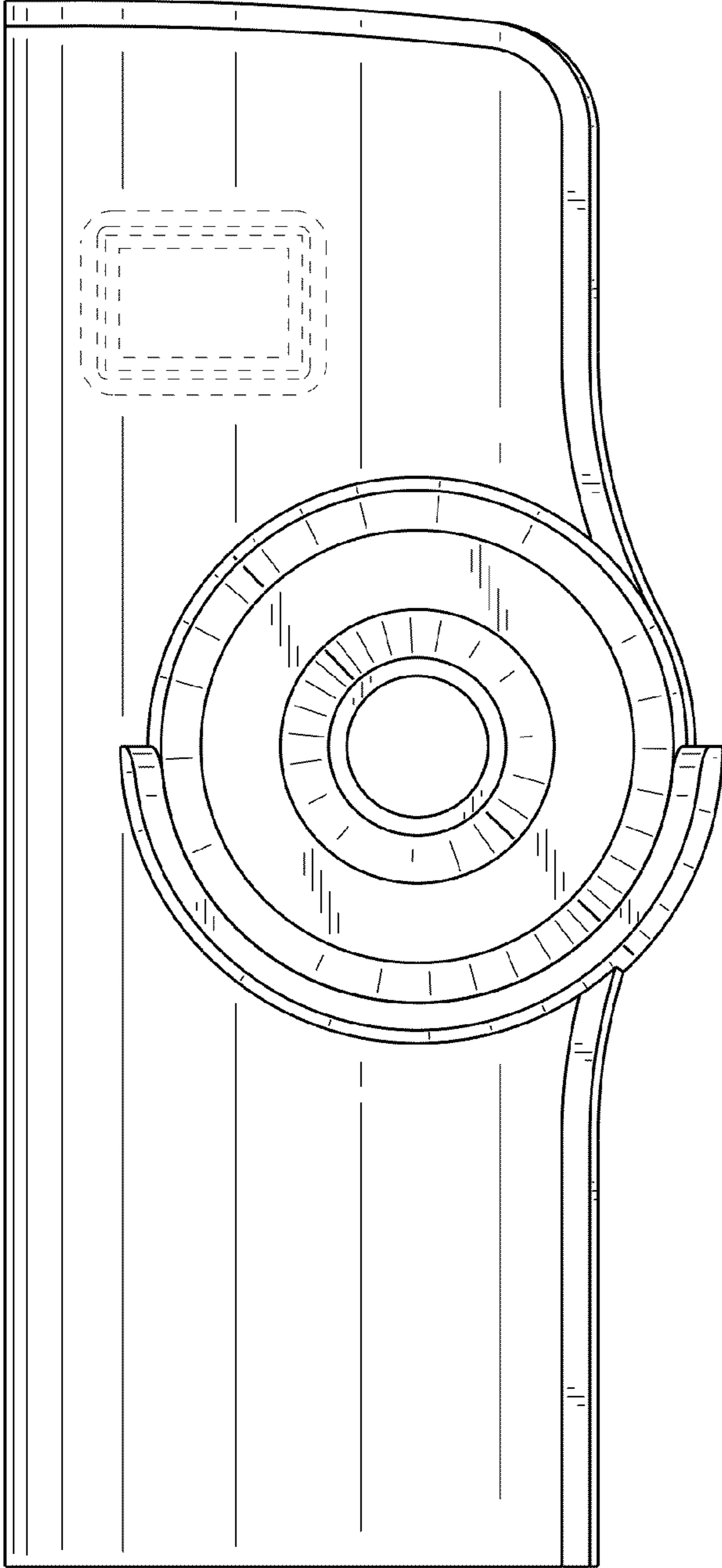


FIG. 2

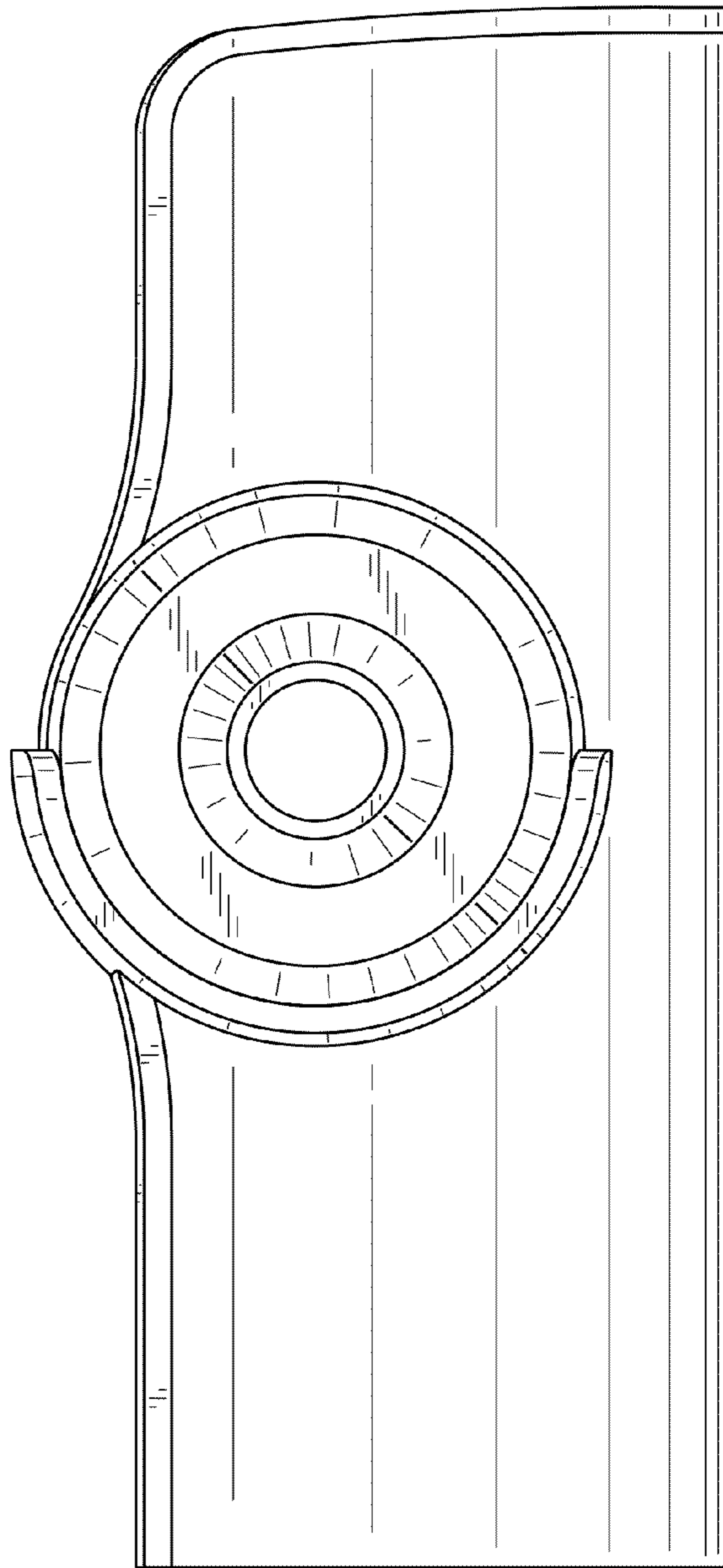


FIG. 3

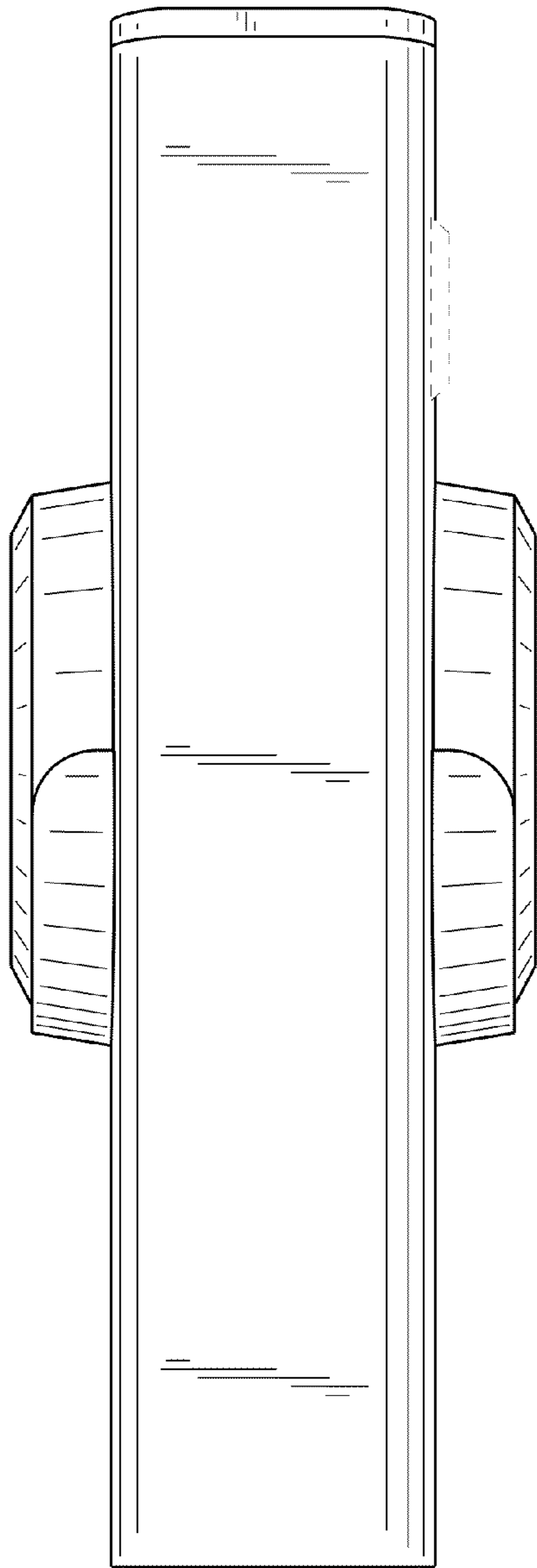


FIG. 4

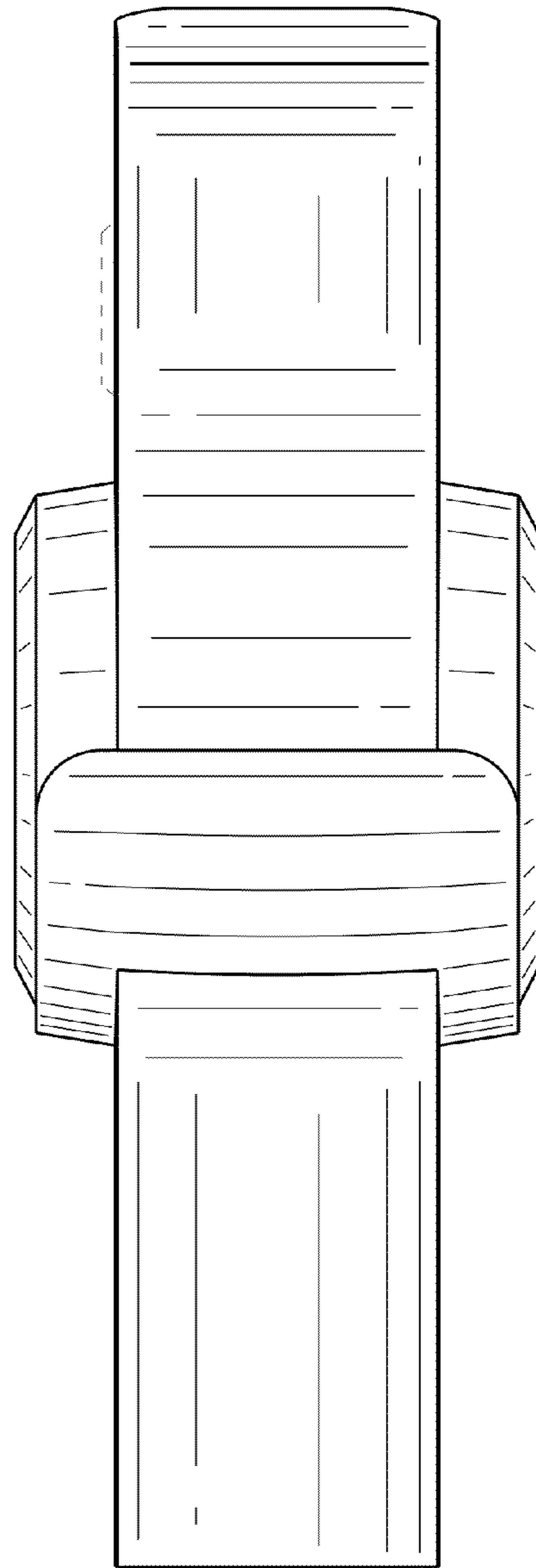


FIG. 5

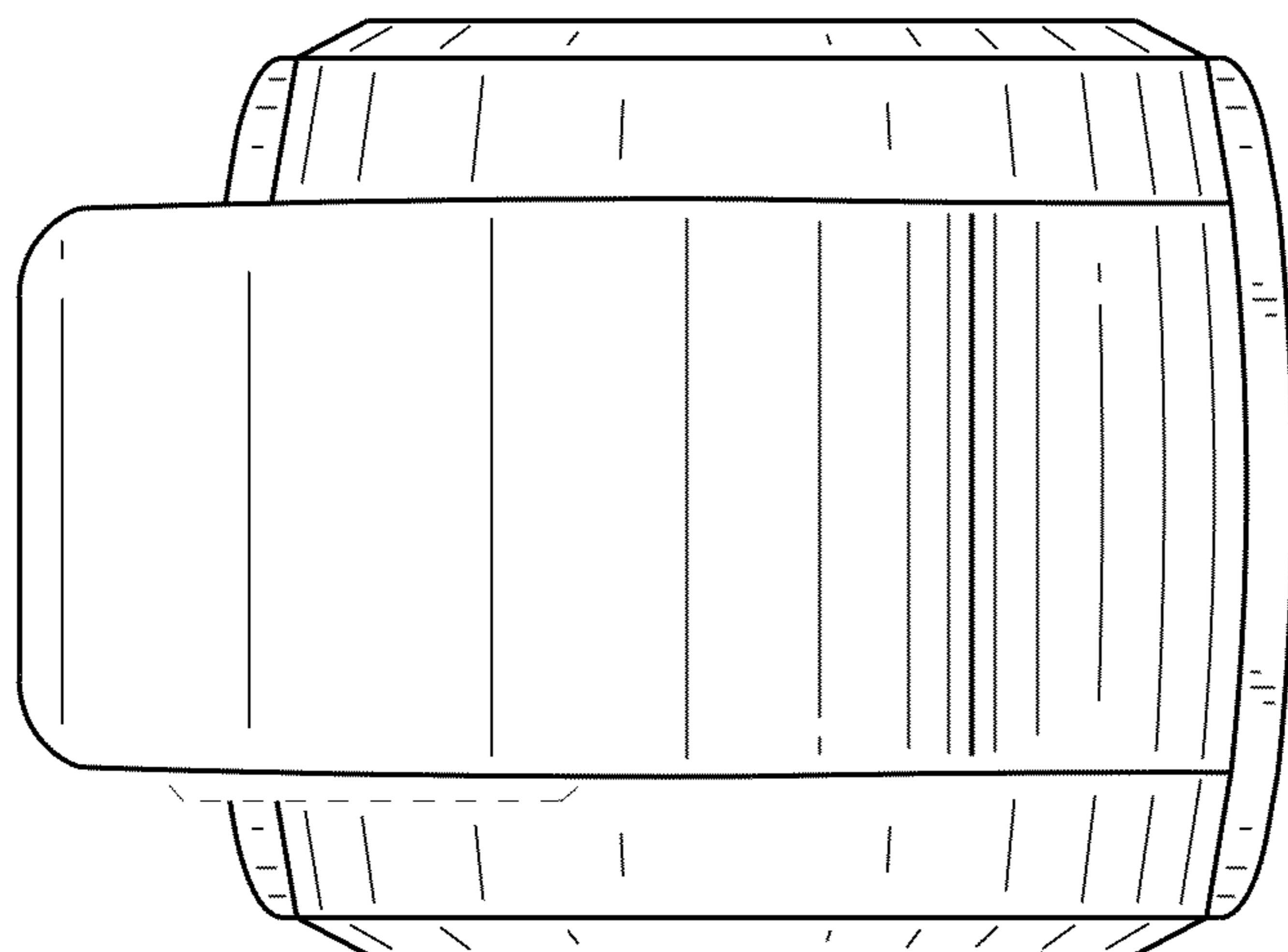


FIG. 6

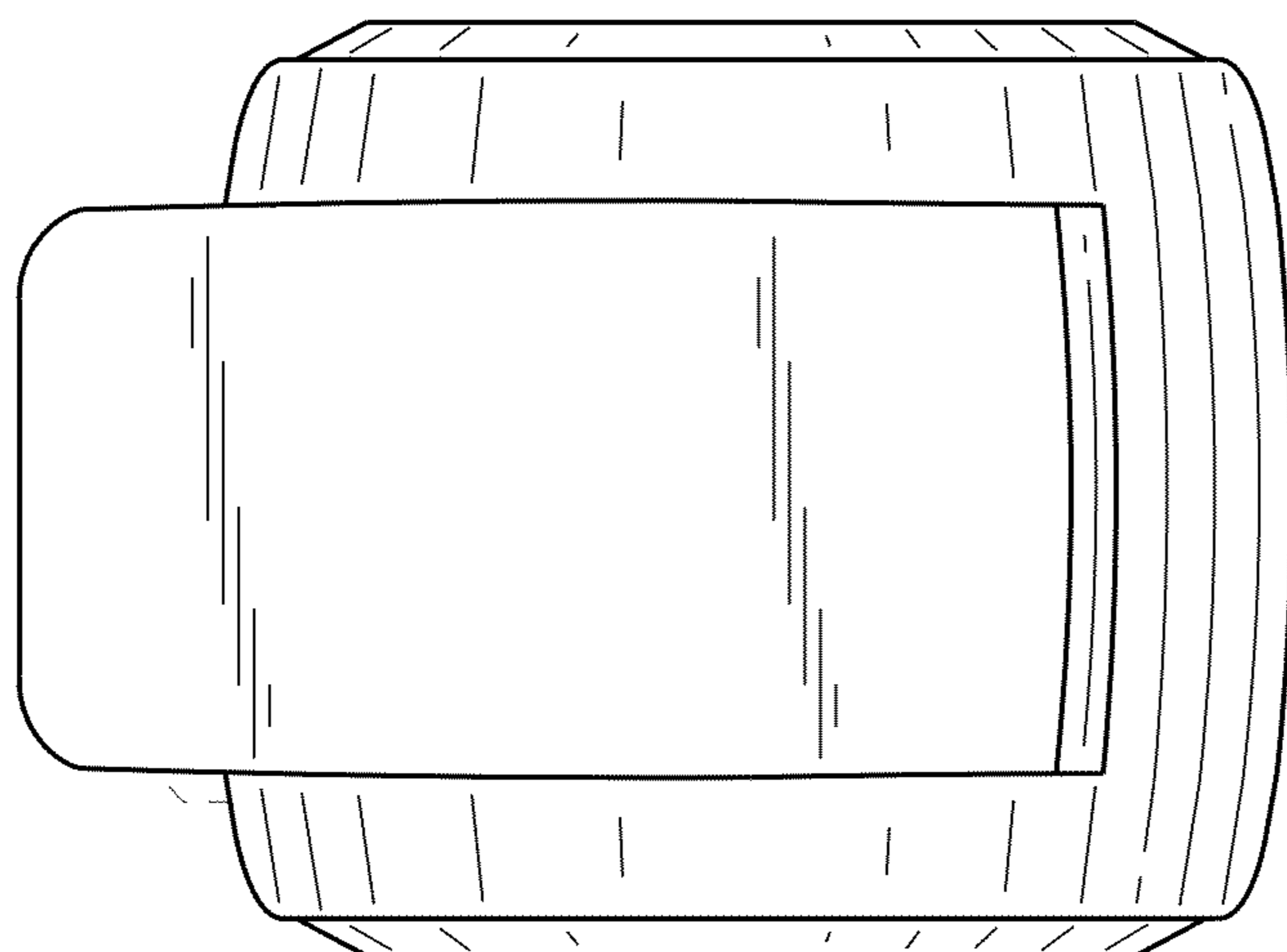


FIG. 7