



US00D713960S

(12) **United States Design Patent**
Porat

(10) **Patent No.:** **US D713,960 S**

(45) **Date of Patent:** **** Sep. 23, 2014**

(54) **SURGICAL NEEDLE**

(76) Inventor: **Amir Porat**, Yehud (IL)

(**) Term: **14 Years**

(21) Appl. No.: **29/430,452**

(22) Filed: **Aug. 24, 2012**

(51) **LOC (10) Cl.** **24-02**

(52) **U.S. Cl.**
USPC **D24/152**

(58) **Field of Classification Search**
USPC D24/144-146; 606/146-148, 185,
606/222-223, 225
See application file for complete search history.

(56) **References Cited**

U.S. PATENT DOCUMENTS

818,152	A *	4/1906	Edwards	606/225
2,811,971	A *	11/1957	Scott	606/221
3,160,157	A *	12/1964	Chisman	606/223
3,238,942	A *	3/1966	Lincoff	606/223
5,312,422	A *	5/1994	Trott	606/148
5,336,239	A *	8/1994	Gimpelson	606/223
5,387,221	A *	2/1995	Bisgaard	606/148
5,433,728	A *	7/1995	Kim	606/223
5,478,327	A *	12/1995	McGregor et al.	606/222
6,530,943	B1 *	3/2003	Hoepffner et al.	606/222
D530,421	S *	10/2006	Topper et al.	D24/145
7,179,266	B2 *	2/2007	Kontos	606/148
7,320,695	B2 *	1/2008	Carroll	606/185
7,666,203	B2 *	2/2010	Chanduszko et al.	606/185
8,002,796	B2 *	8/2011	DeSantis	606/222

* cited by examiner

Primary Examiner — Wan Laymon

(74) *Attorney, Agent, or Firm* — The IP Law Firm of Guy Levi, LLC; Guy Levi

(57) **CLAIM**

I claim, the ornamental design for a surgical needle, as shown and described.

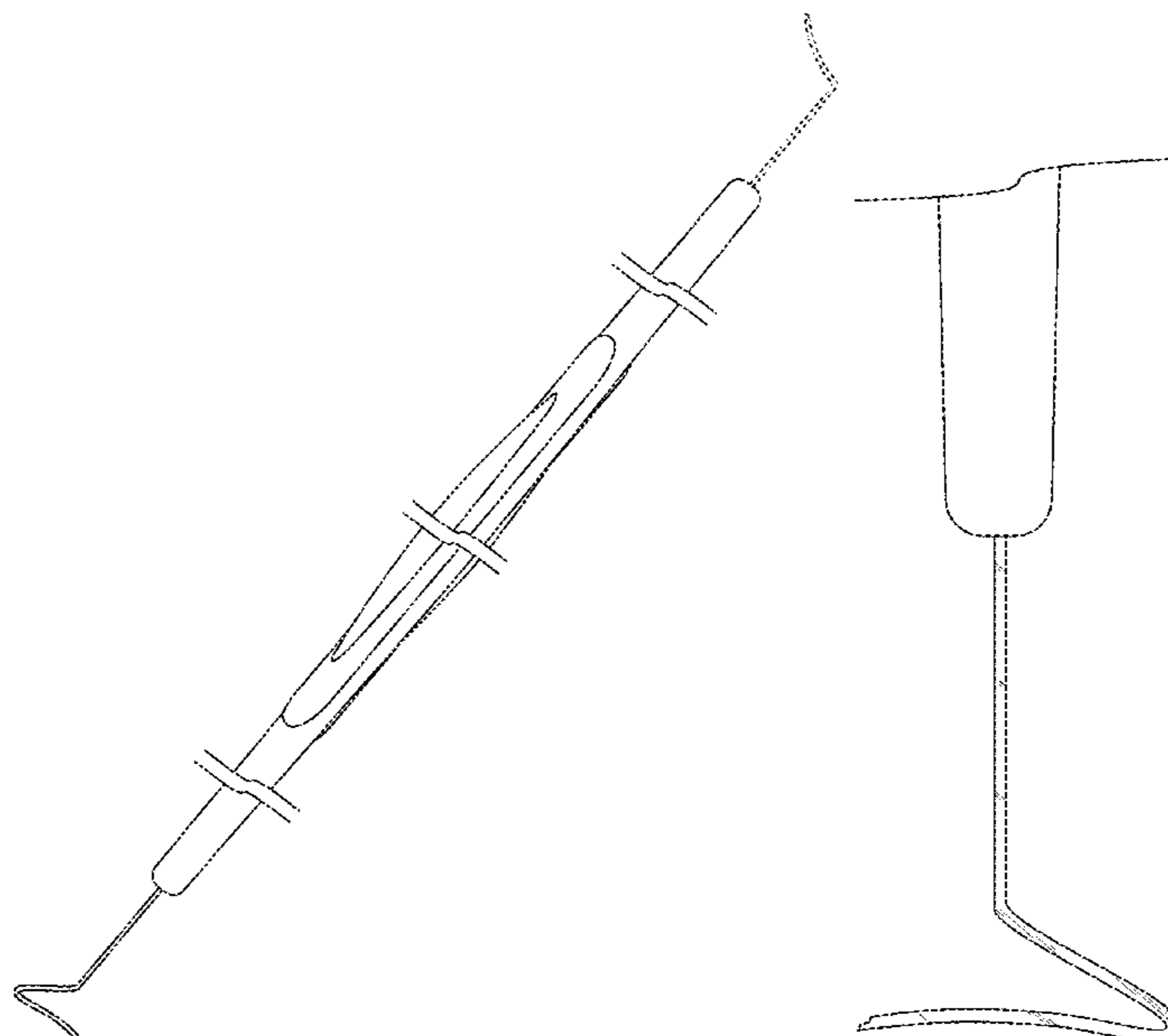
DESCRIPTION

FIG. 1 is a top and left isometric view of an embodiment of a surgical needle showing my new design;
 FIG. 2 is a left side elevation view thereof;
 FIG. 3 is an enlarged fragmented embodiment of a right side elevation view thereof, showing a clear portion;
 FIG. 4 is a top elevation view thereof;
 FIG. 5 is an enlarged rear plan view thereof;
 FIG. 6 is an enlarged front plan view thereof;
 FIG. 7 is an embodiment of an enlarged rear plan view thereof;
 FIG. 8 is a left side elevation view of a second embodiment thereof;
 FIG. 9 is a left side elevation view of a third embodiment thereof;
 FIG. 10 is an enlarged fragmented right side elevation view of a fourth embodiment thereof;
 FIG. 11 is an enlarged fragmented right side elevation view of a fifth embodiment thereof;
 FIG. 12 another an enlarged fragmented right side elevation view of a sixth embodiment thereof;
 FIG. 13 is an enlarged fragmented right side elevation view of a seventh embodiment thereof; and,
 FIG. 14 is an enlarged fragmented right side elevation view of an eighth embodiment thereof.

The dashed lines shown in FIGS. 1, 2 and 4-9 indicate environmental structures and as such, do not form a part of the claimed design.

The broken away symbols shown in FIGS. 1-4, and 8-14 indicate that any portion of the article beyond what is shown forms no part of the claimed design.

1 Claim, 7 Drawing Sheets



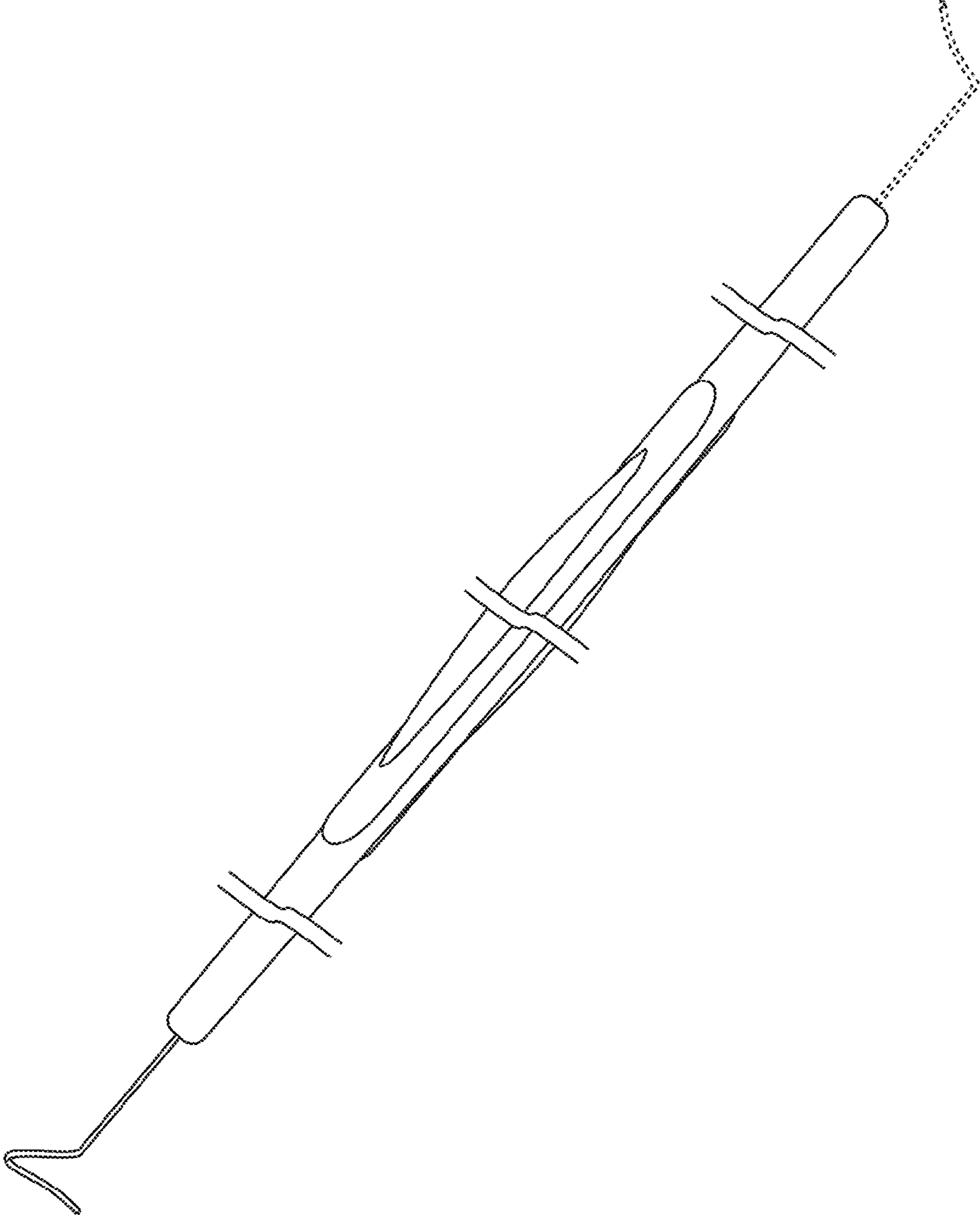


FIGURE 1

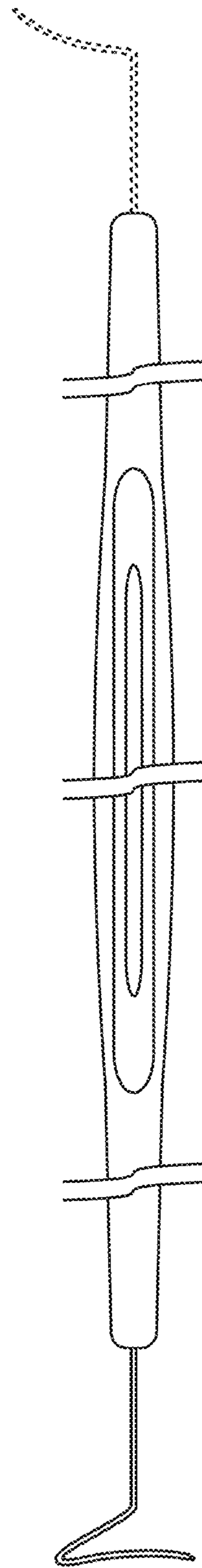


FIGURE 2

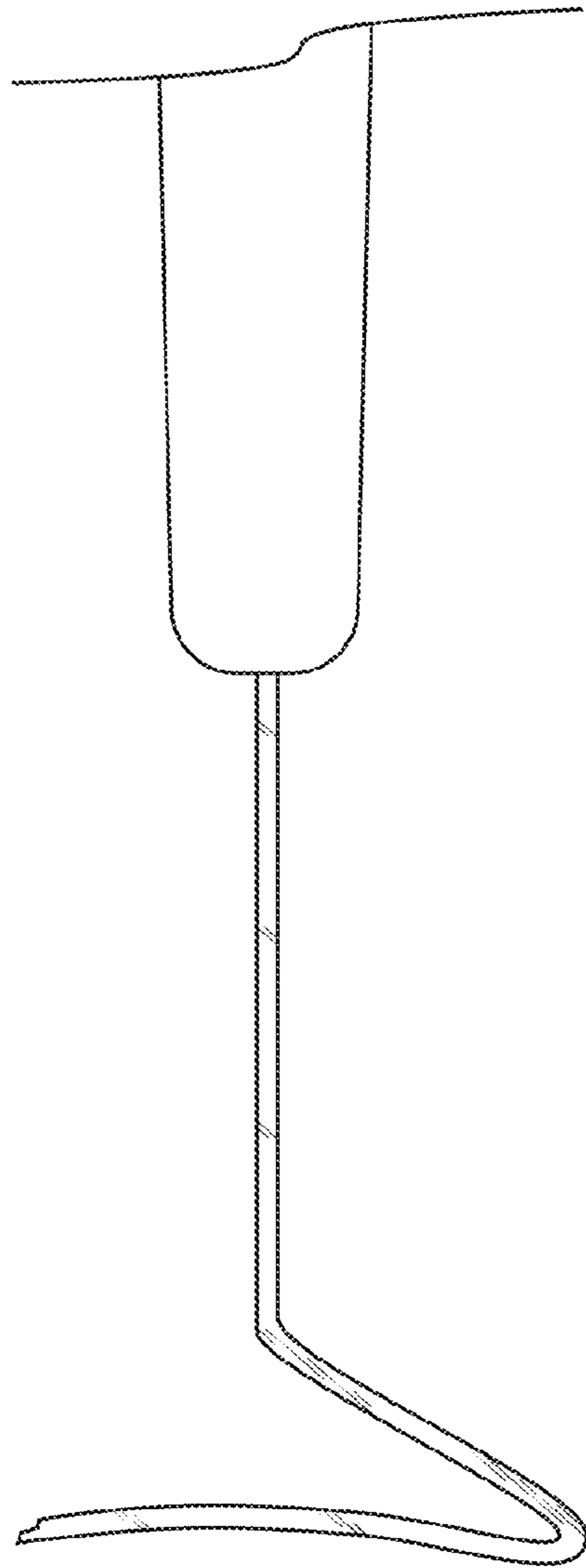


FIGURE 3

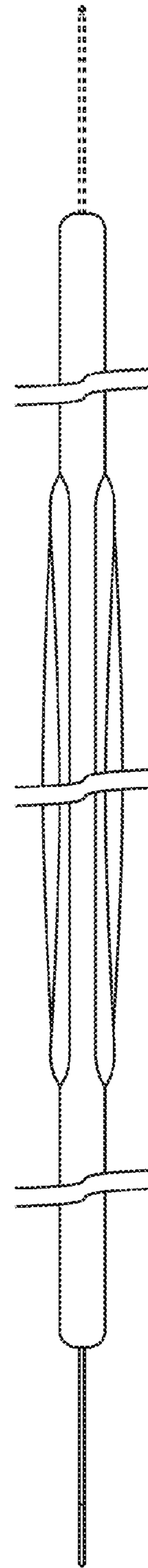


FIGURE 4

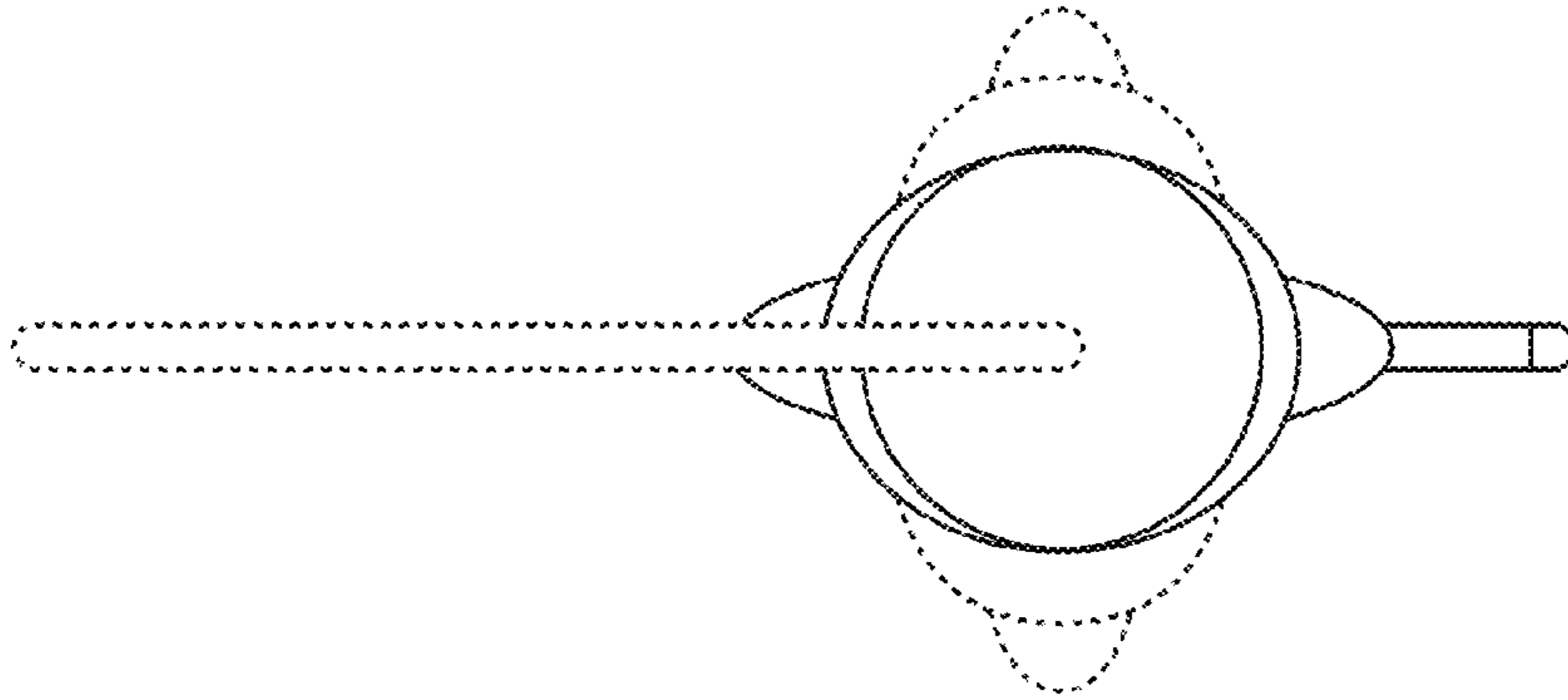


FIGURE 5

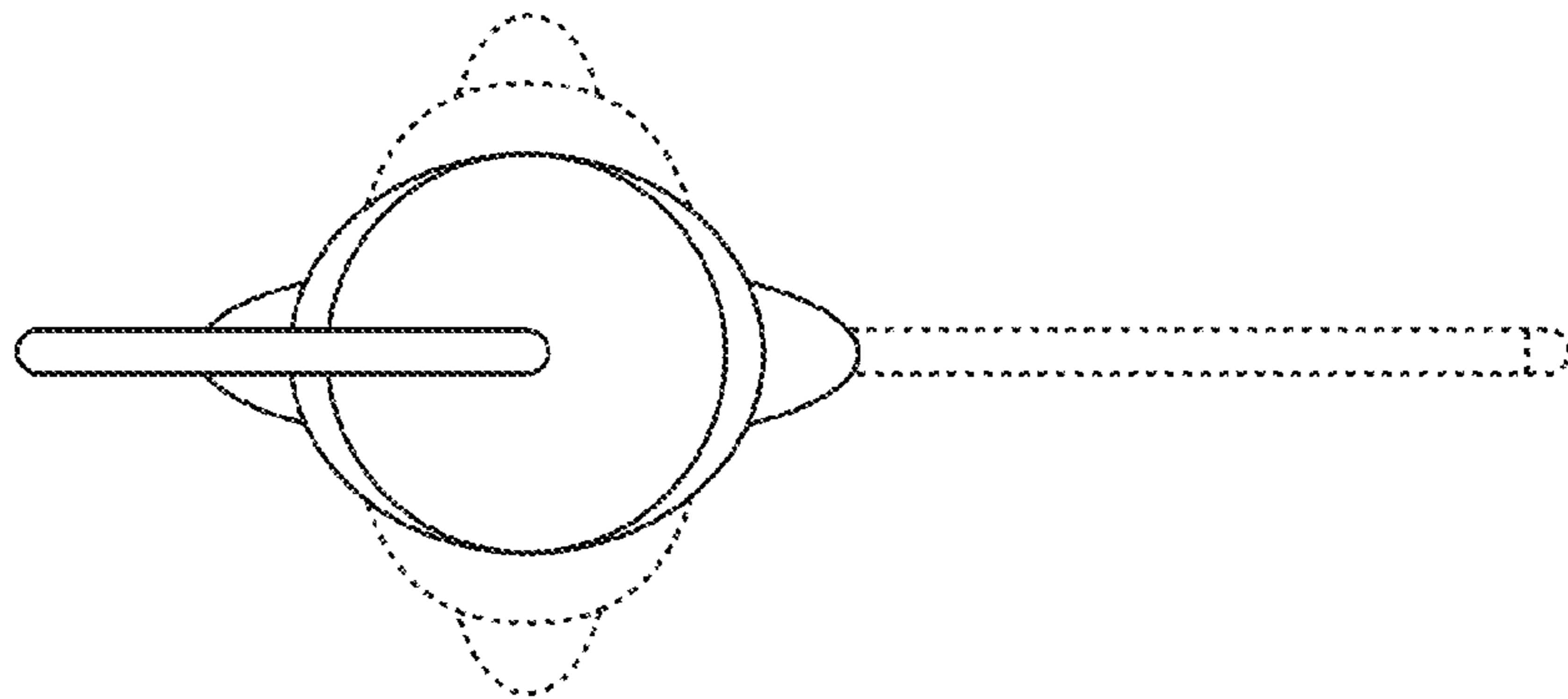


FIGURE 6

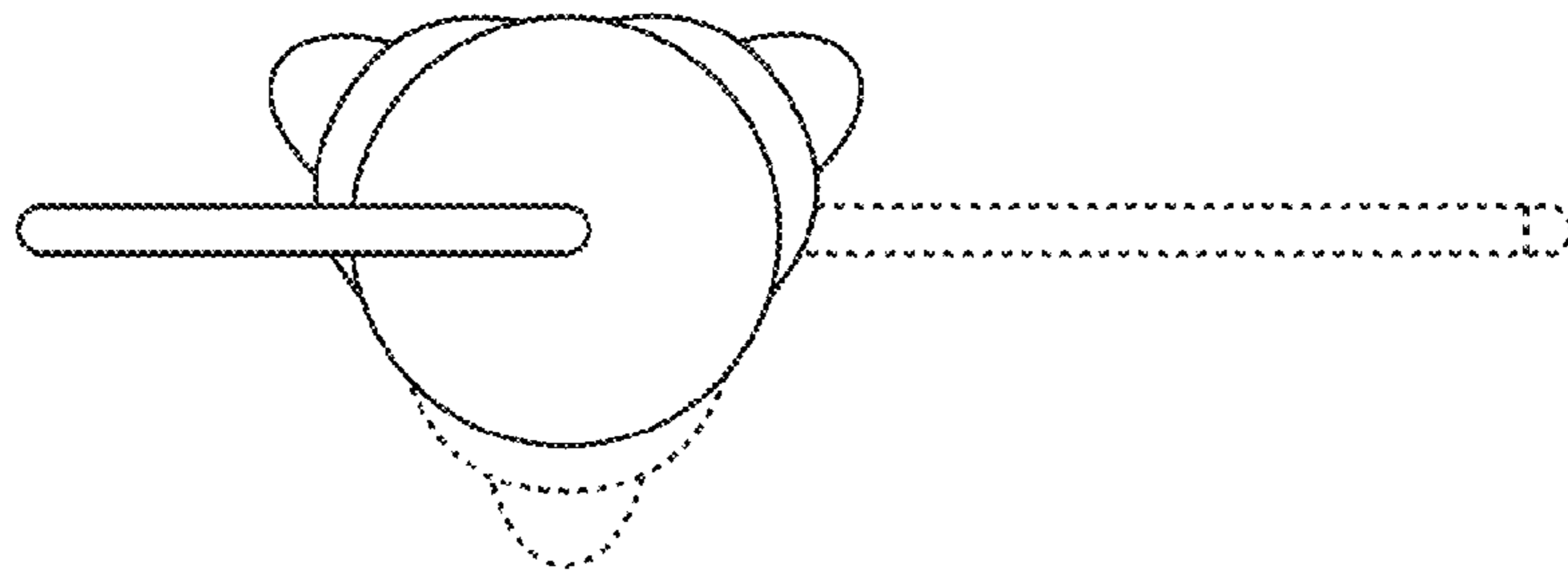


FIGURE 7

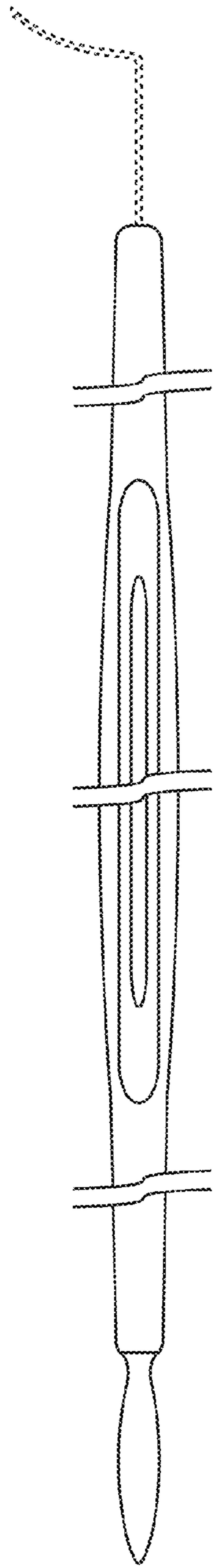


FIGURE 8

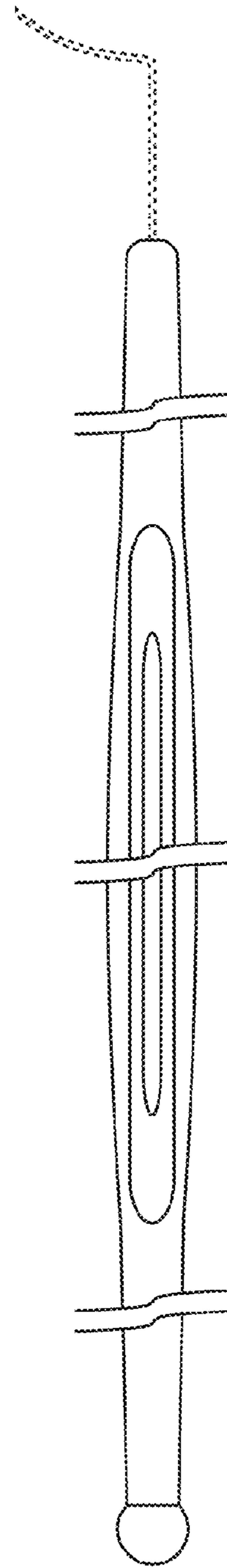


FIGURE 9

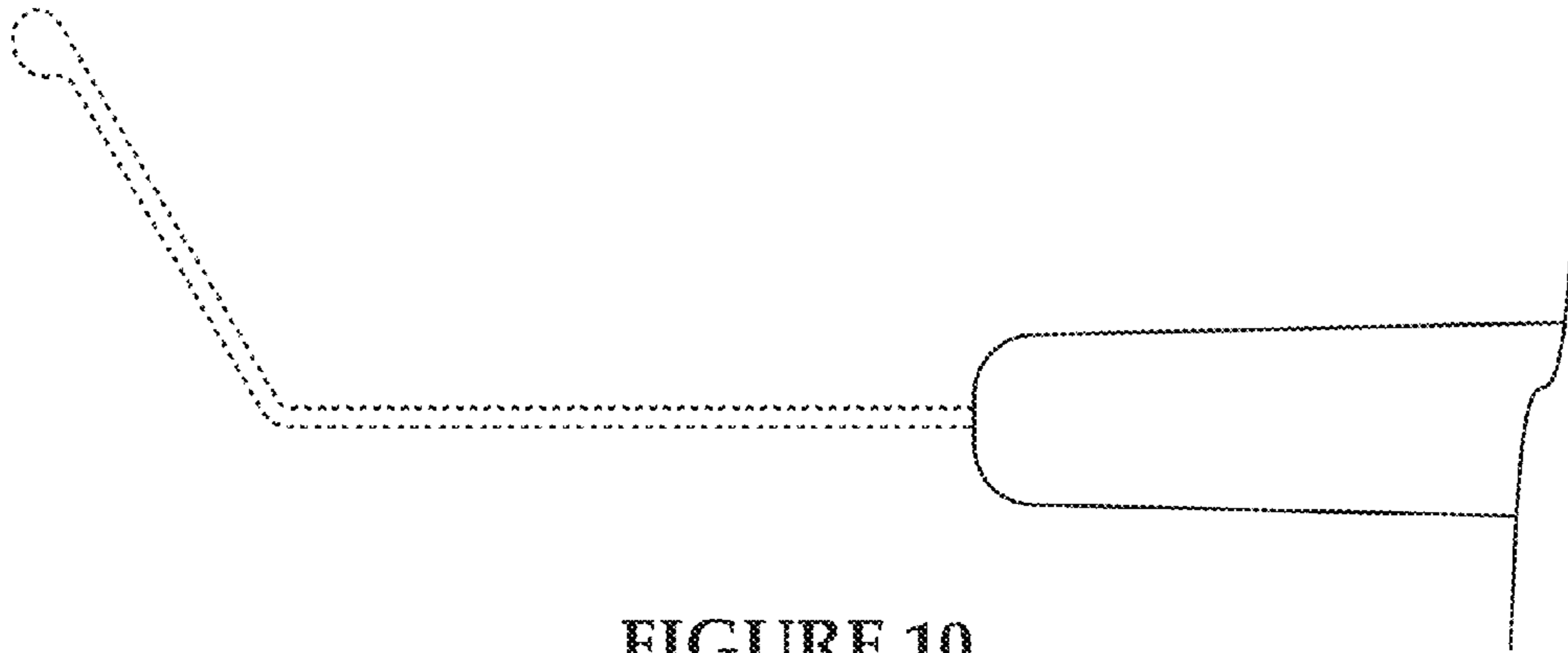


FIGURE 10

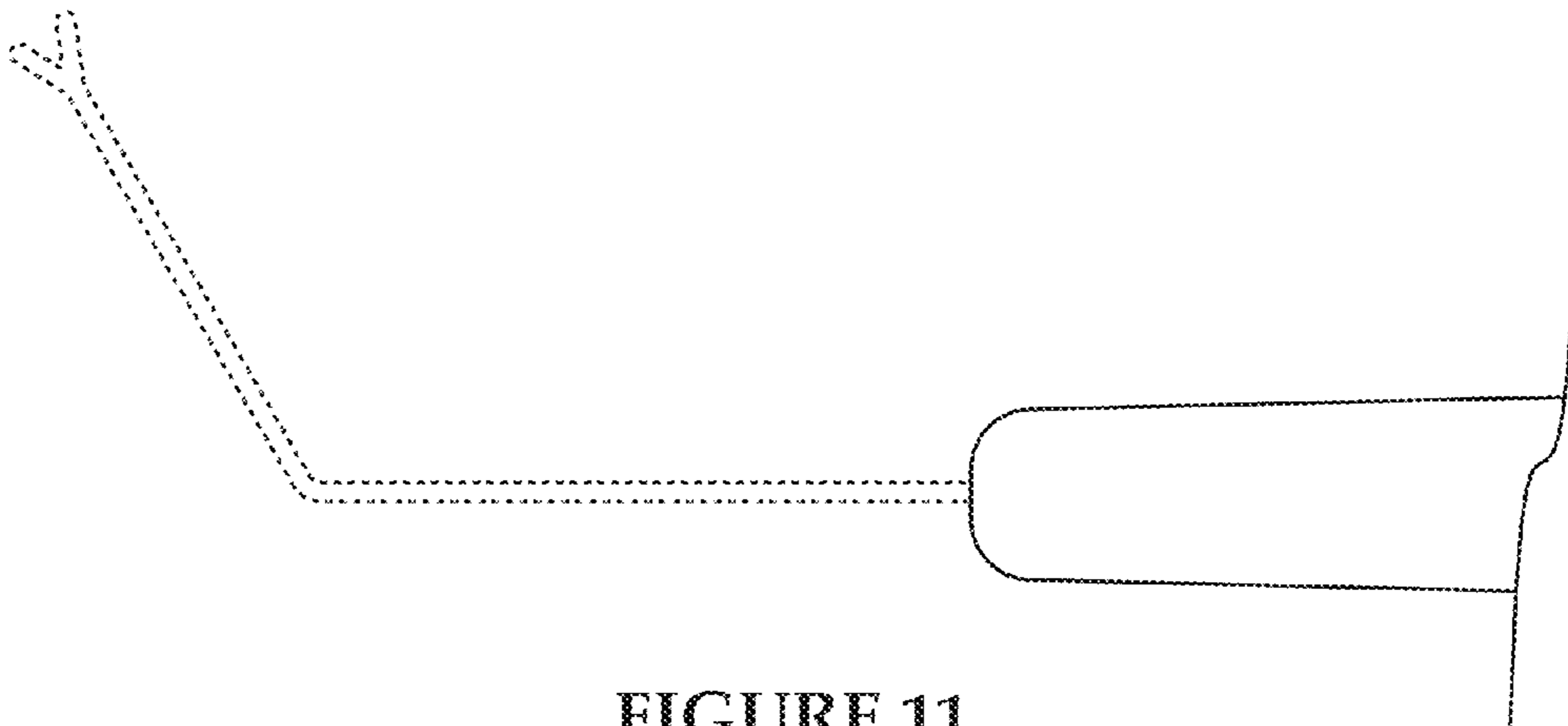


FIGURE 11

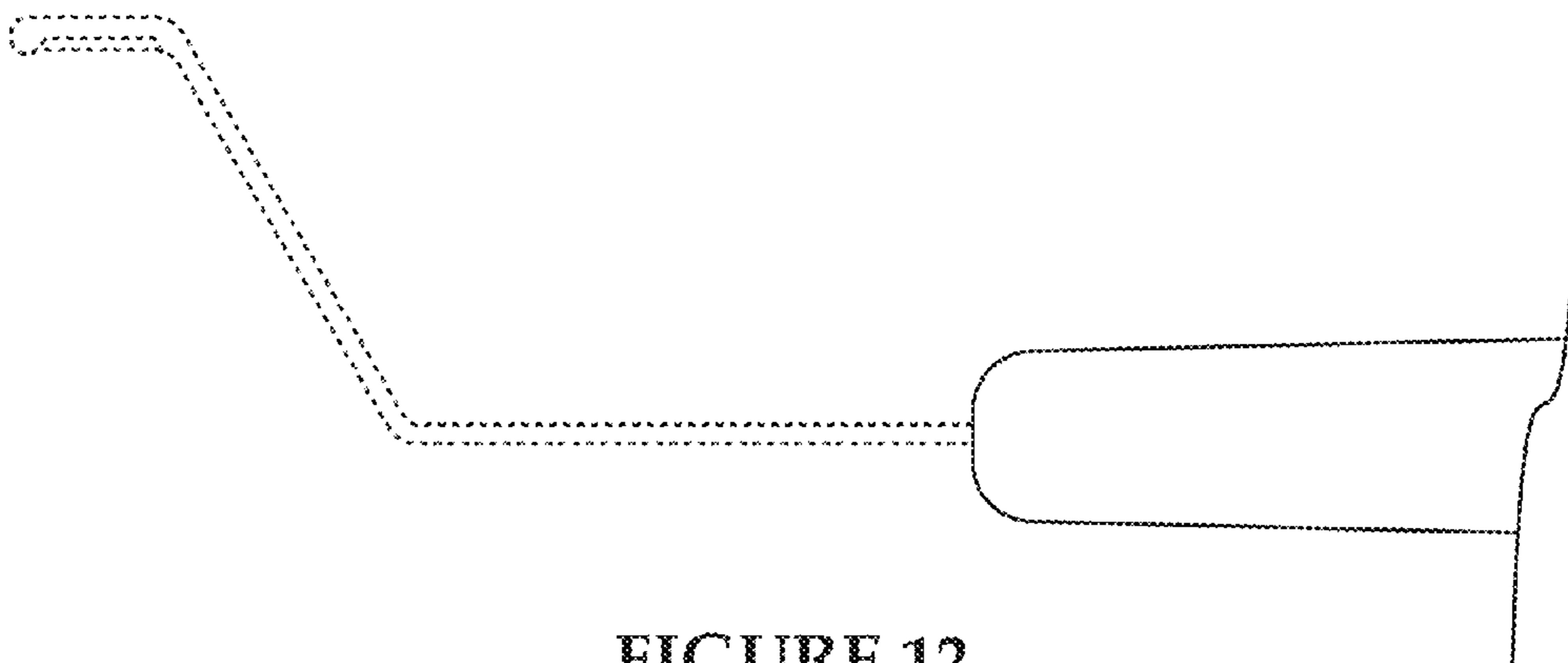


FIGURE 12

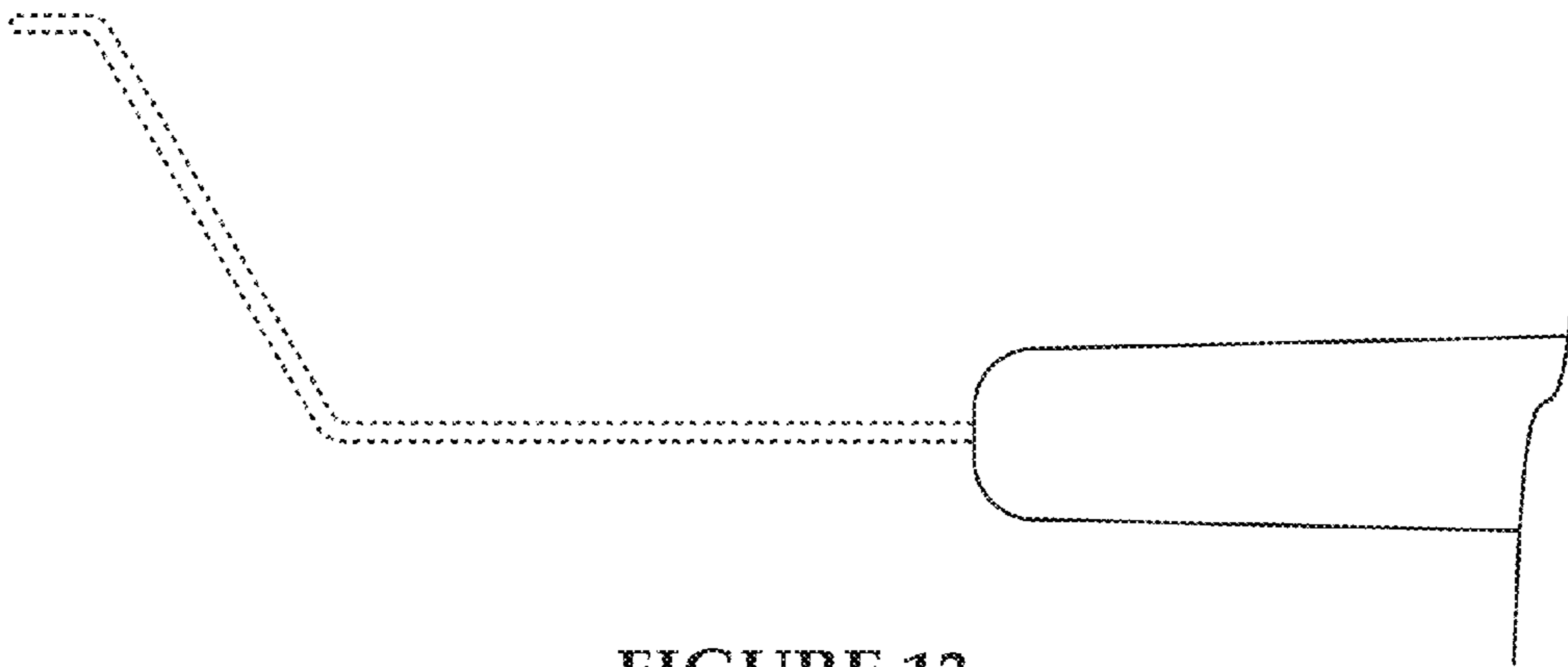


FIGURE 13

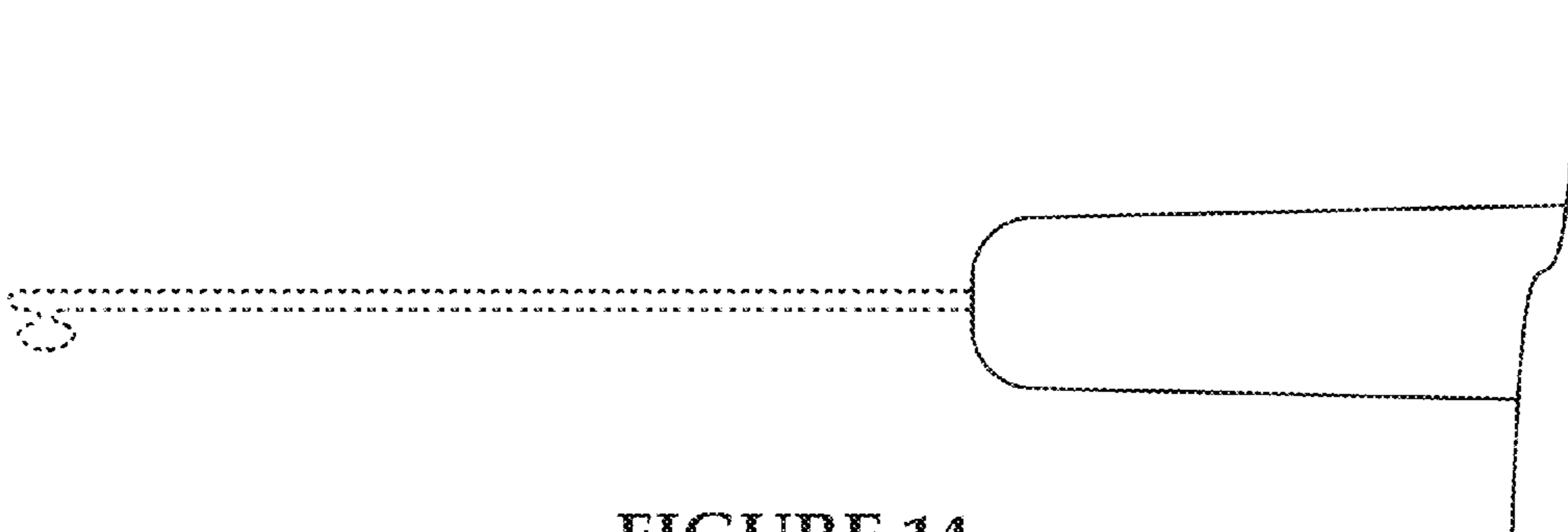


FIGURE 14