



US00D713958S

(12) **United States Design Patent**
Srinivasan et al.

(10) **Patent No.:** **US D713,958 S**

(45) **Date of Patent:** **** Sep. 23, 2014**

(54) **PEN NEEDLE OUTER COVER**

(71) Applicant: **Becton, Dickinson and Company**,
Franklin Lakes, NJ (US)

(72) Inventors: **Sudarsan Srinivasan**, Hawthorne, NJ
(US); **Michael Di Biasi**, West Milford,
NJ (US); **Sean Sullivan**, Ridgewood, NJ
(US); **Keith Knapp**, Warwick, NY (US)

(73) Assignee: **Becton, Dickinson and Company**,
Franklin Lakes, NJ (US)

(**) Term: **14 Years**

(21) Appl. No.: **29/475,744**

(22) Filed: **Dec. 5, 2013**

(51) **LOC (10) Cl.** **24-02**

(52) **U.S. Cl.**
USPC **D24/130**

(58) **Field of Classification Search**
USPC D24/112-114, 129, 130, 127, 133, 186,
D24/108; 606/181, 185; 604/264, 500, 506,
604/272, 115, 164.01-164.09, 533, 232,
604/187, 168.01, 192, 19, 48, 93.01, 523,
604/524, 526; 600/101, 139, 143;
128/200.24, 207.14, 207.15
See application file for complete search history.

(56) **References Cited**

U.S. PATENT DOCUMENTS

D371,195 S * 6/1996 Krebs D24/112

D418,222 S *	12/1999	Pellow	D24/130
D447,559 S *	9/2001	Jansen et al.	D24/114
D458,679 S *	6/2002	Thompson et al.	D24/133
D463,546 S *	9/2002	Jansen et al.	D24/114
D596,289 S *	7/2009	Kawamura	D24/130
7,713,280 B2 *	5/2010	Marshall et al.	606/181
D619,702 S *	7/2010	Galbraith	D24/114
7,758,603 B2 *	7/2010	Taylor et al.	606/185
8,048,096 B2 *	11/2011	Wilkinson	606/181
8,512,366 B2 *	8/2013	Robbins	606/181
8,628,468 B2 *	1/2014	Zisow	600/184
8,652,158 B2 *	2/2014	Marshall et al.	606/181

* cited by examiner

Primary Examiner — David Muller

(74) *Attorney, Agent, or Firm* — Pearl Cohen Zedek Latzer
Baratz LLP

(57) **CLAIM**

The ornamental design for a pen needle outer cover, as shown
and described.

DESCRIPTION

FIG. 1 is a perspective view of a pen needle outer cover;
FIG. 2 is a front elevation view thereof;
FIG. 3 is a right side elevation view thereof, the left side
elevation view being a mirror image;
FIG. 4 is a top view thereof; and,
FIG. 5 is a bottom view thereof.
The elements shown in dotted lines are provided for context
only, and are not part of the claimed ornamental design.

1 Claim, 2 Drawing Sheets

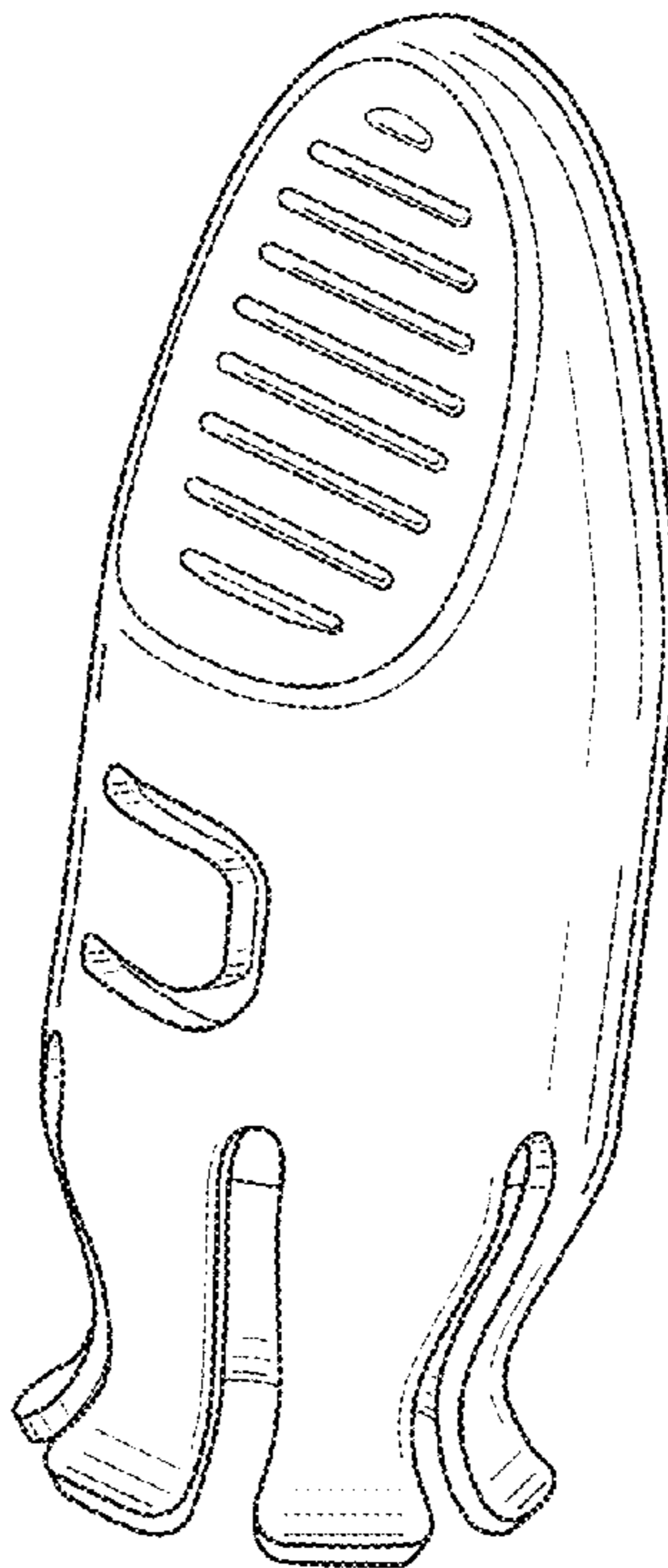


FIG. 1

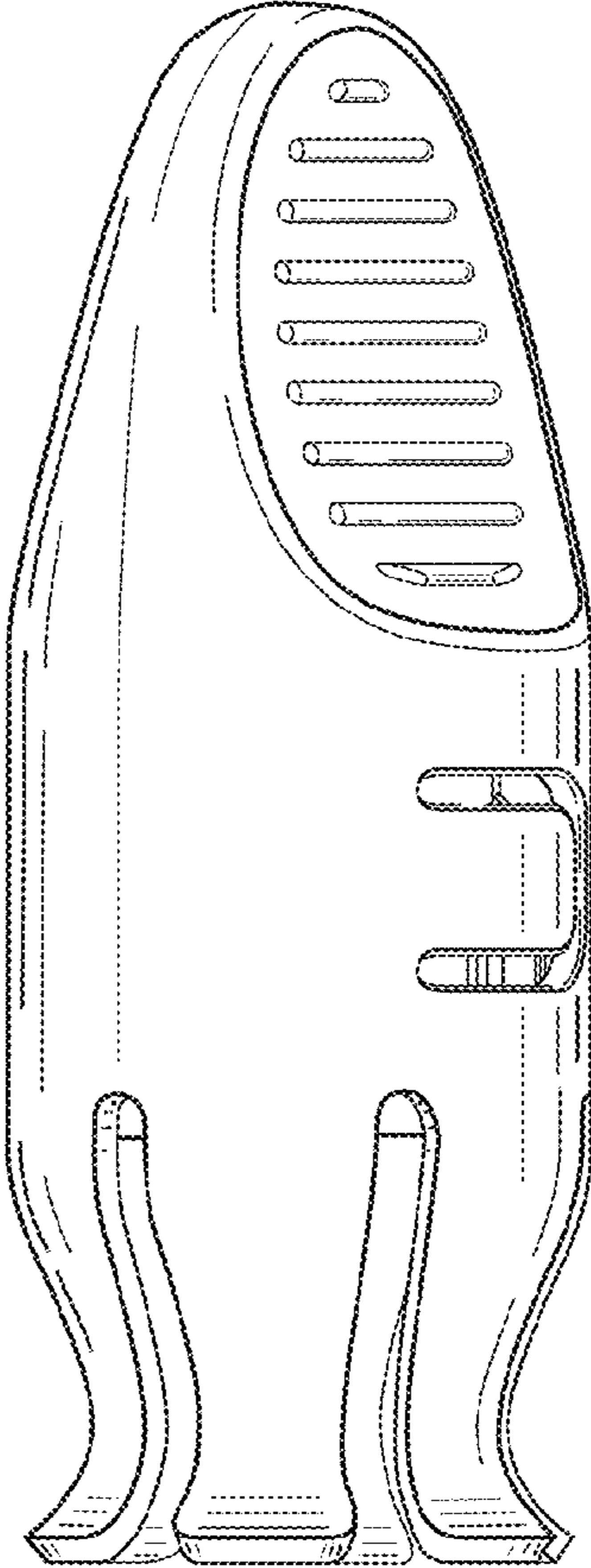
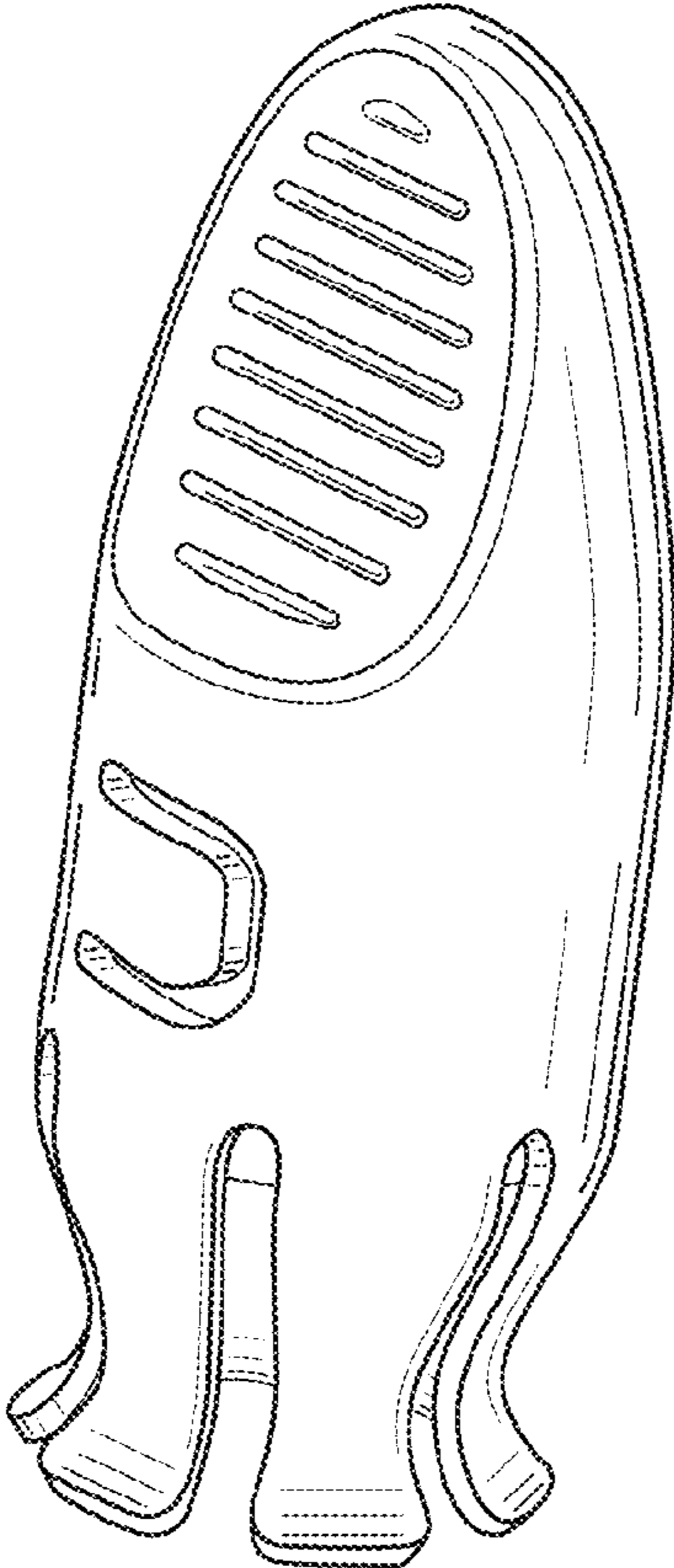


FIG. 2

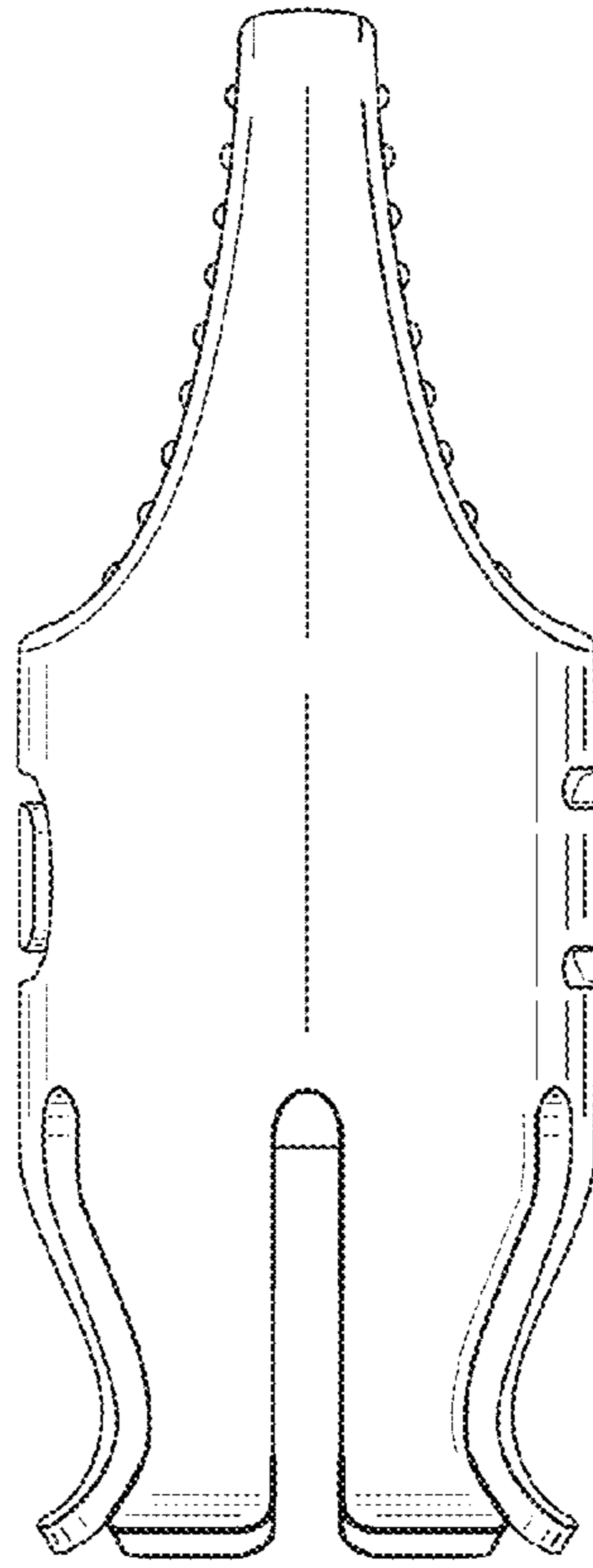


FIG. 3

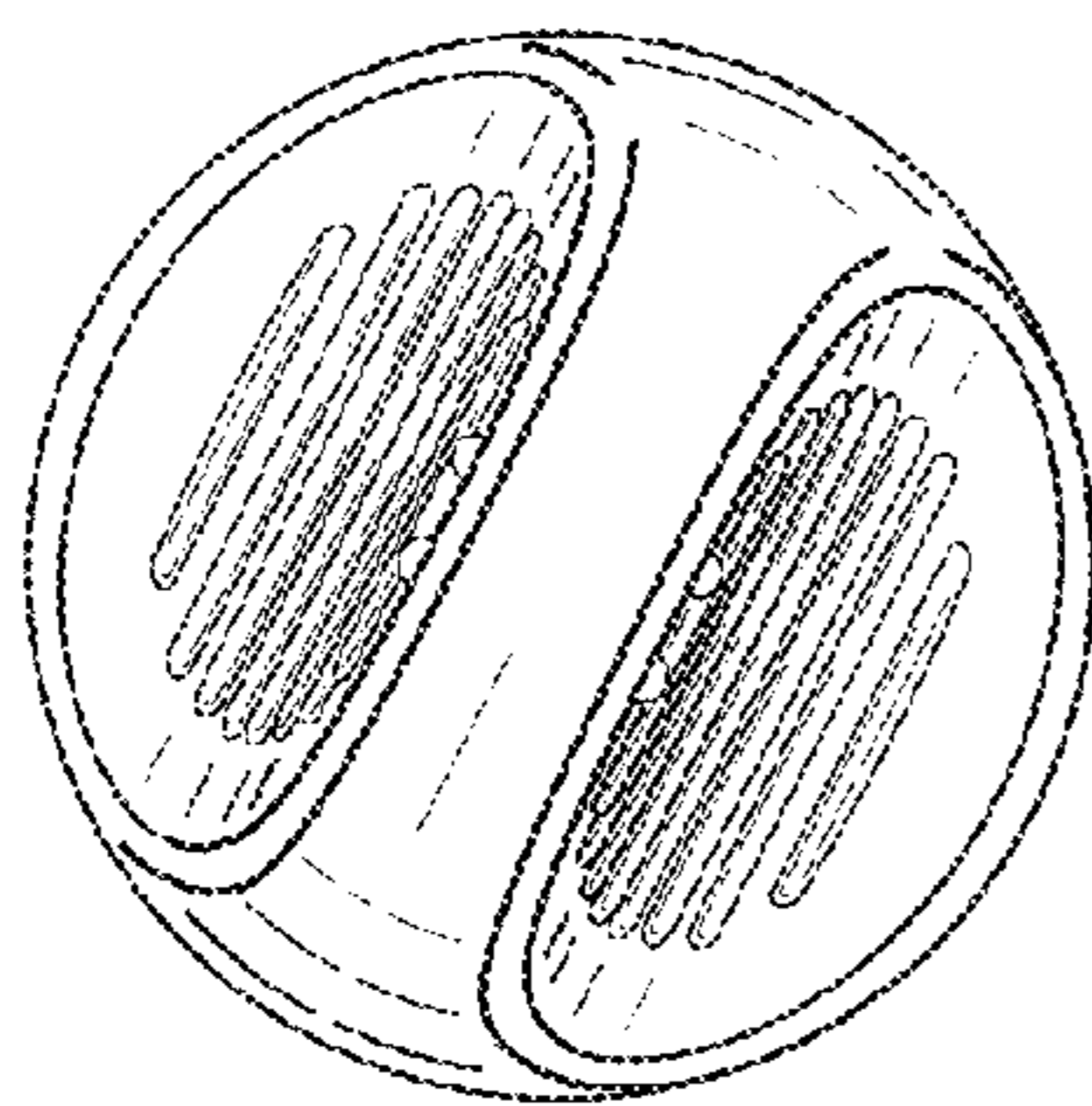


FIG. 4

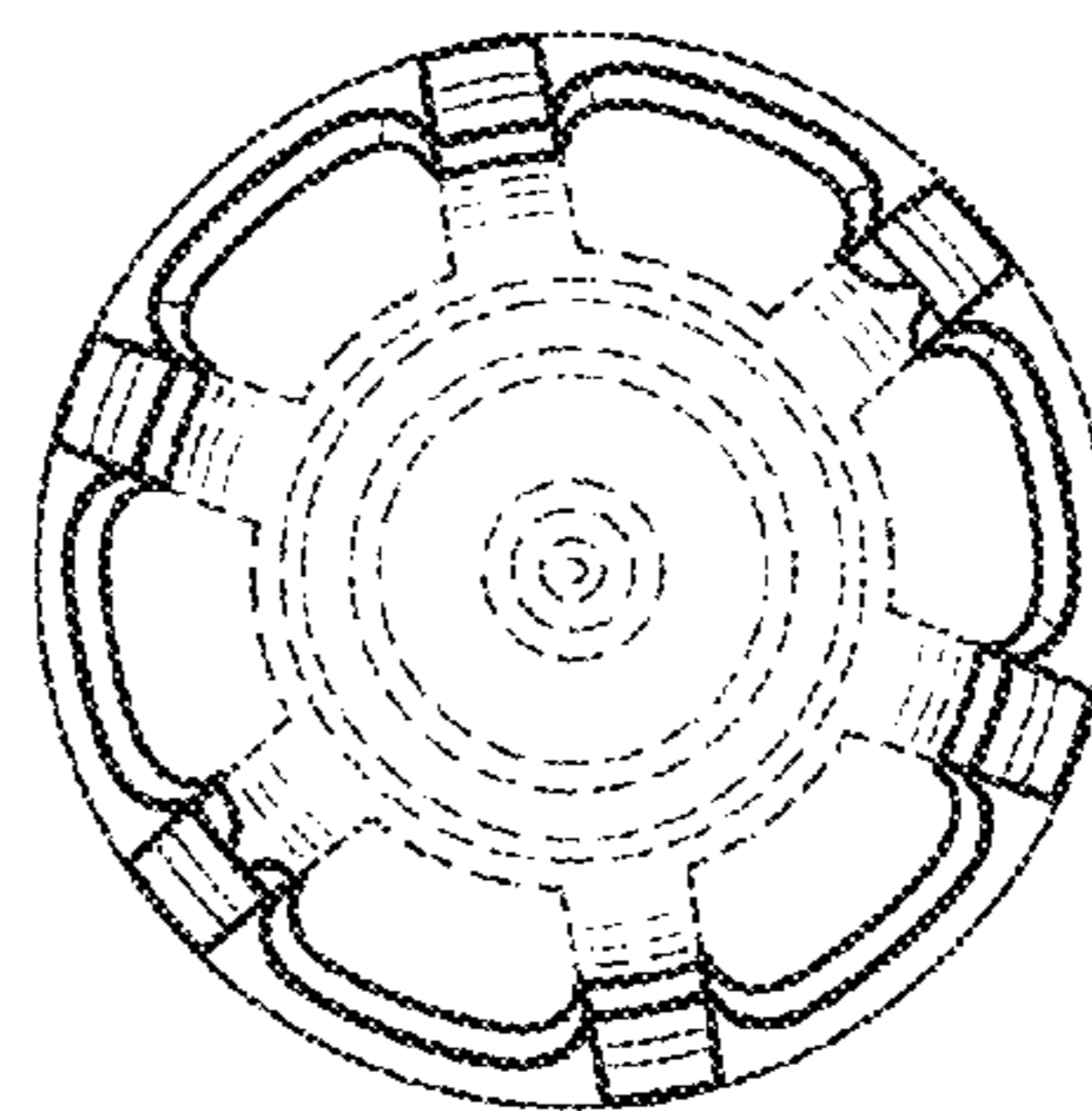


FIG. 5