



US00D713955S

(12) **United States Design Patent**
Hester et al.

(10) **Patent No.:** **US D713,955 S**

(45) **Date of Patent:** **** *Sep. 23, 2014**

(54) **EXPANDABLE WOOD HOLDER**

(71) Applicant: **L.A. Darling Company**, Paragould, AR (US)

(72) Inventors: **James Hester**, Marmaduke, AR (US);
Randy R. Guthrie, Paragould, AR (US)

(73) Assignee: **L.A. Darling Company**, Paragould, AR (US)

(*) Notice: This patent is subject to a terminal disclaimer.

(**) Term: **14 Years**

(21) Appl. No.: **29/449,168**

(22) Filed: **Mar. 14, 2013**

(51) **LOC (10) Cl.** **23-03**

(52) **U.S. Cl.**
USPC **D23/410**

(58) **Field of Classification Search**

USPC D23/405, 407, 409, 410, 415-422, 499,
D23/403; D7/403, 404, 407; D13/100;
44/530, 550; 126/39 E, 144, 148, 242,
126/243, 258, 500, 540

See application file for complete search history.

(56) **References Cited**

U.S. PATENT DOCUMENTS

2,061,937	A *	11/1936	Fay	211/49.1
3,187,901	A *	6/1965	Wilson	211/49.1
4,264,081	A *	4/1981	Markham	280/5.24
D264,572	S *	5/1982	Lowry	D34/26
D266,368	S *	9/1982	Flanders	D34/26
4,354,702	A *	10/1982	Clements et al.	294/9
4,469,363	A *	9/1984	Kalla	294/154
4,528,974	A *	7/1985	Nakamura et al.	126/201
D289,080	S *	3/1987	Einsel	D23/410

D296,588	S *	7/1988	Thompson	D23/410
4,765,491	A *	8/1988	Mueller	211/49.1
4,971,207	A *	11/1990	Baucom	211/49.1
5,028,062	A *	7/1991	Pinnell et al.	280/47.34
D357,827	S *	5/1995	Schultz	D6/462
5,743,413	A *	4/1998	Noll	211/60.1
D423,662	S *	4/2000	Mele	D23/410
6,290,073	B1 *	9/2001	Barnes et al.	211/60.1
6,997,332	B1 *	2/2006	Alexander et al.	211/60.1
D642,671	S *	8/2011	Alexander	D23/410
D682,410	S *	5/2013	Hester	D23/410

* cited by examiner

Primary Examiner — Karen S Acker

(74) *Attorney, Agent, or Firm* — DLA Piper LLP (US);
Jennifer E. Lacroix

(57) **CLAIM**

The ornamental design for an expandable wood holder, as shown and described.

DESCRIPTION

FIG. 1 is a perspective view of the expandable wood holder, in a contracted position;

FIG. 2 is a perspective view of the expandable wood holder of FIG. 1, in an expanded position;

FIG. 3 is a right side elevational view of the expandable wood holder of FIG. 1, the left site elevational view being a mirror image thereof;

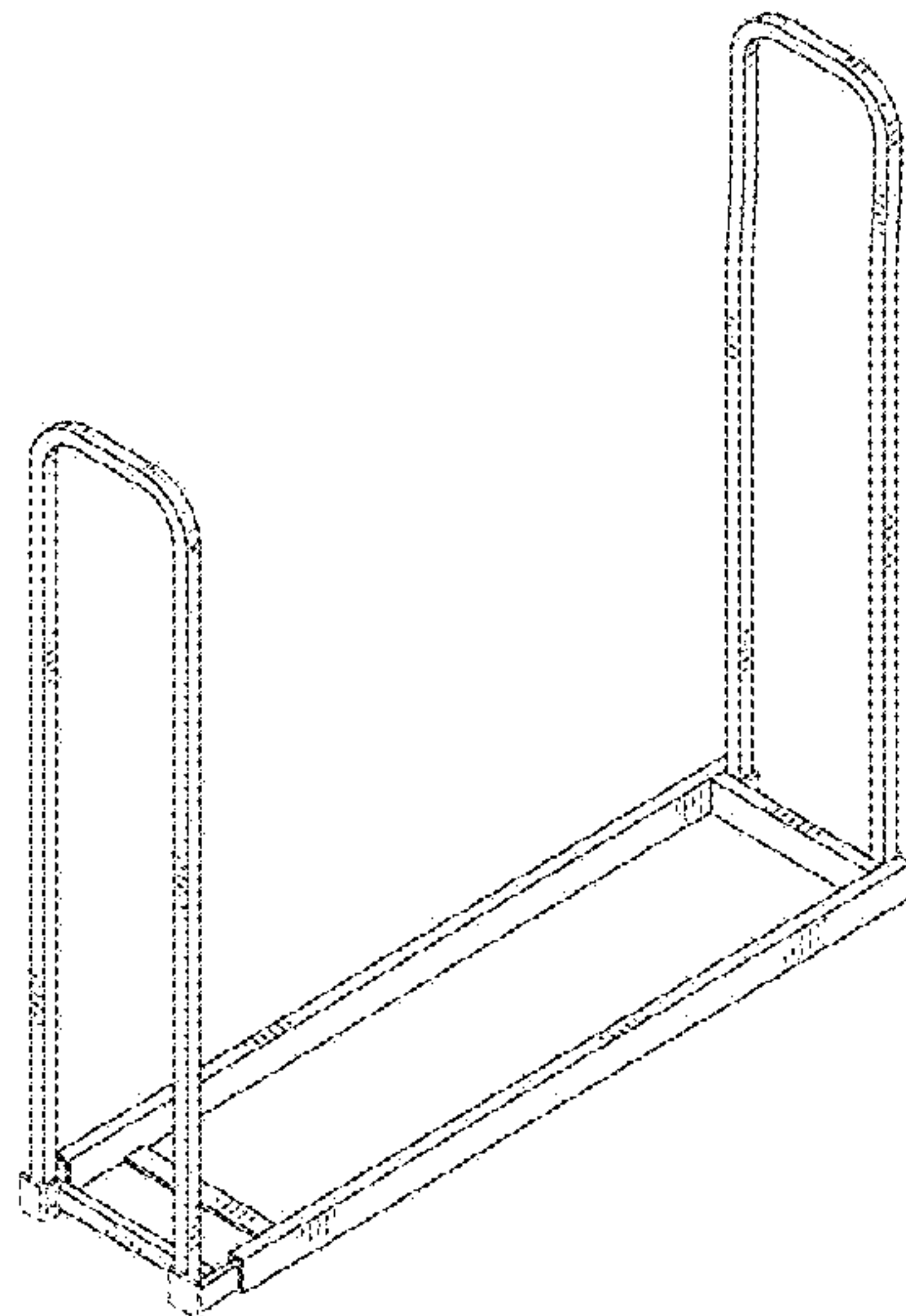
FIG. 4 is a top plan view of the expandable wood holder of FIG. 1;

FIG. 5 is a bottom plan view of the expandable wood holder of FIG. 1; and,

FIG. 6 is a front elevational view of the expandable wood holder of FIG. 1, the rear elevational view being a mirror image thereof.

The features drawn in broken lines represent unclaimed environmental subject matter and form no part of the claimed design.

1 Claim, 3 Drawing Sheets



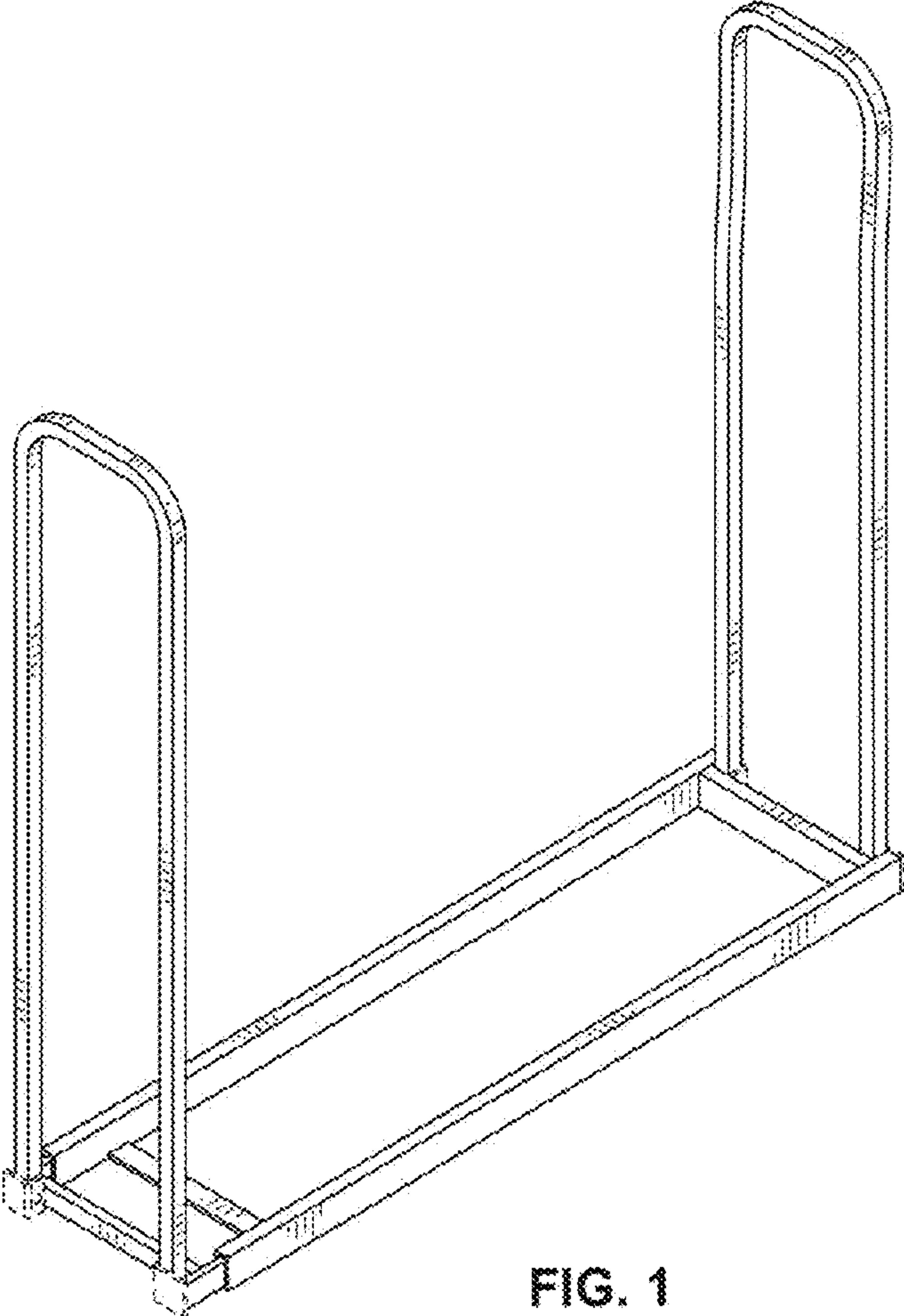


FIG. 1

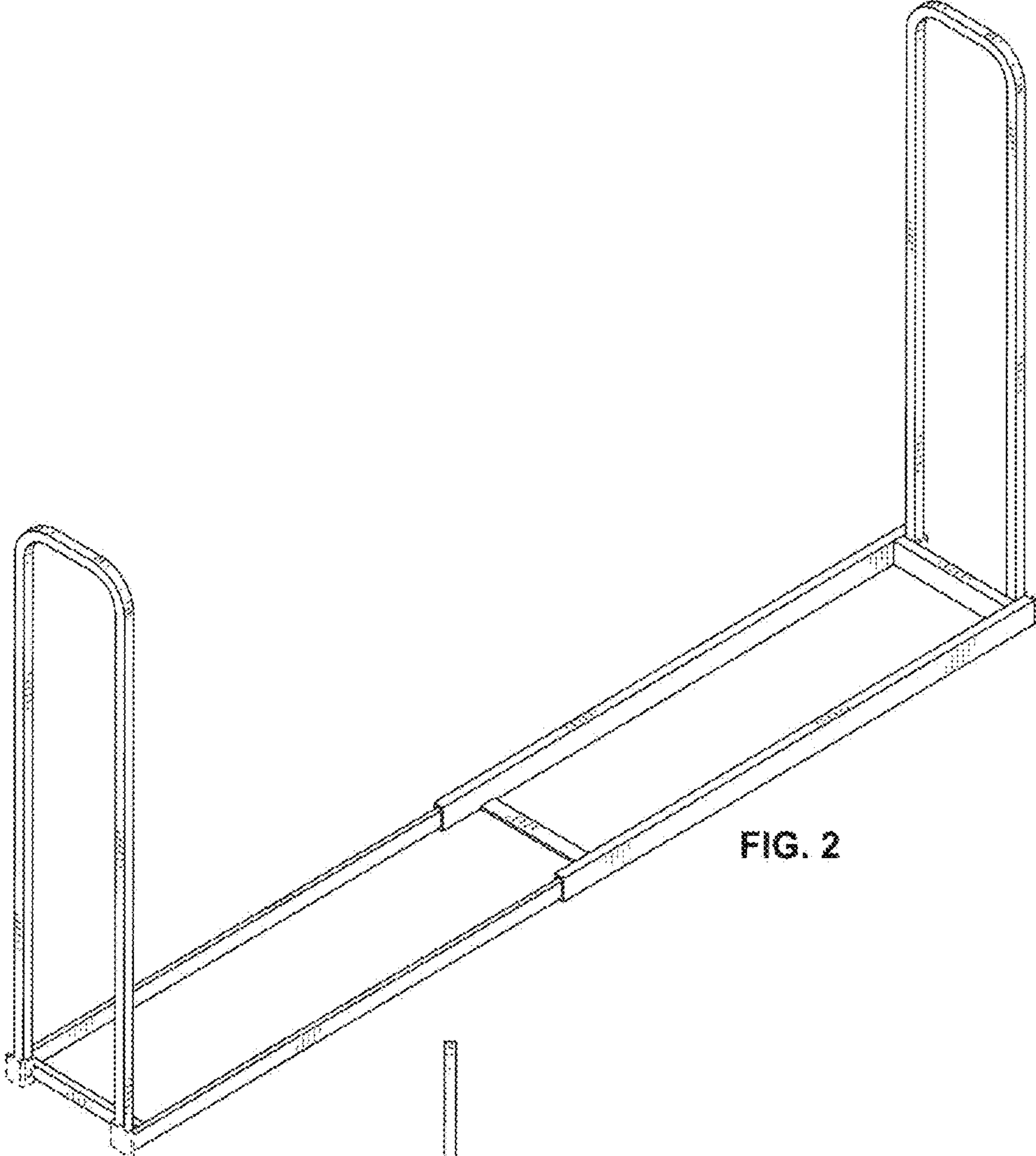


FIG. 2

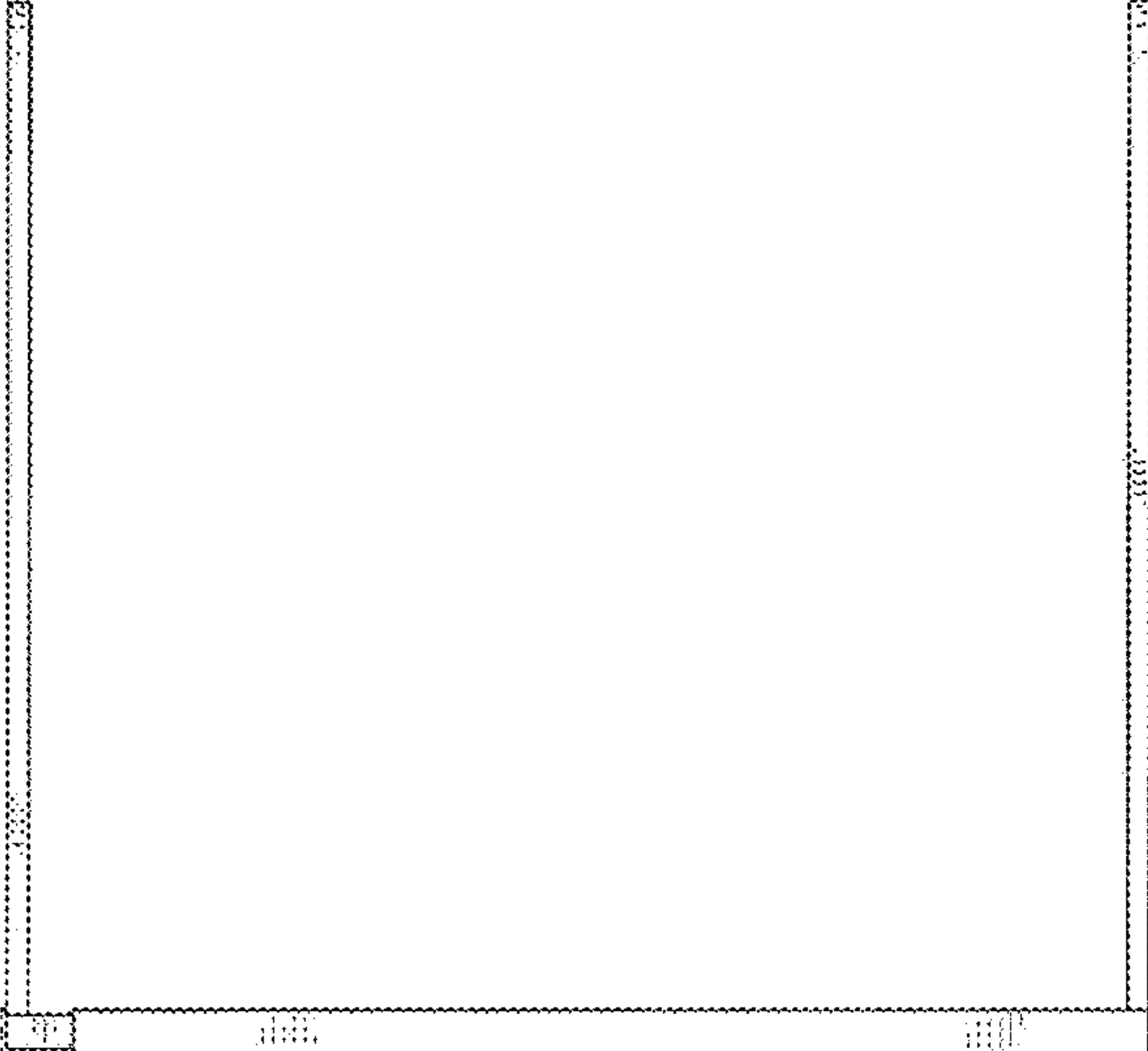


FIG. 3

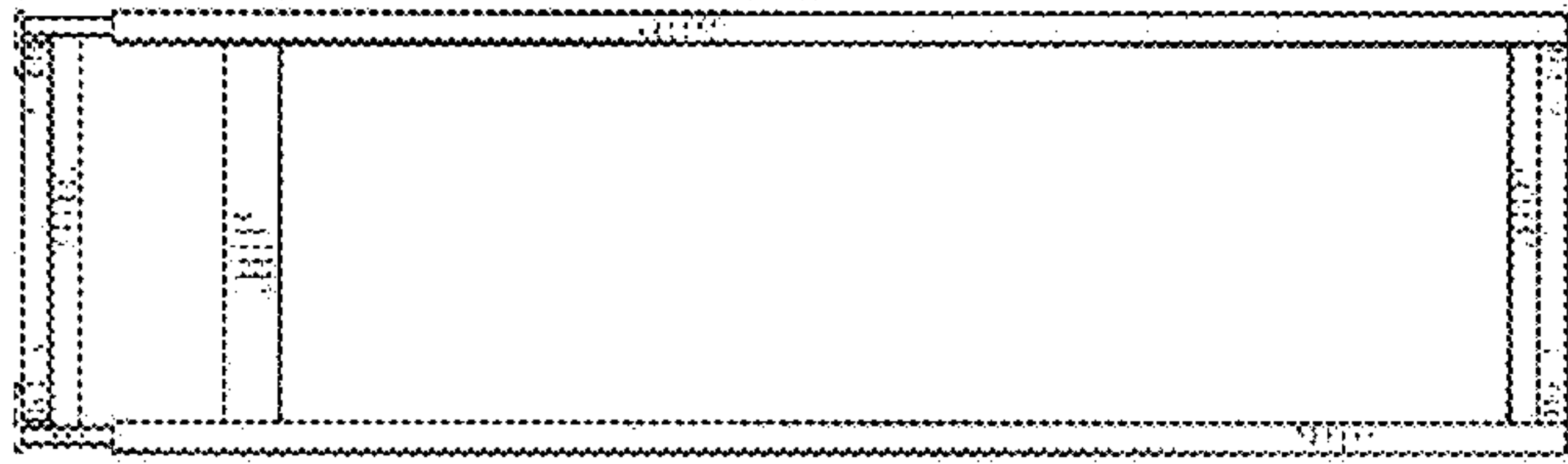


FIG. 4



FIG. 5

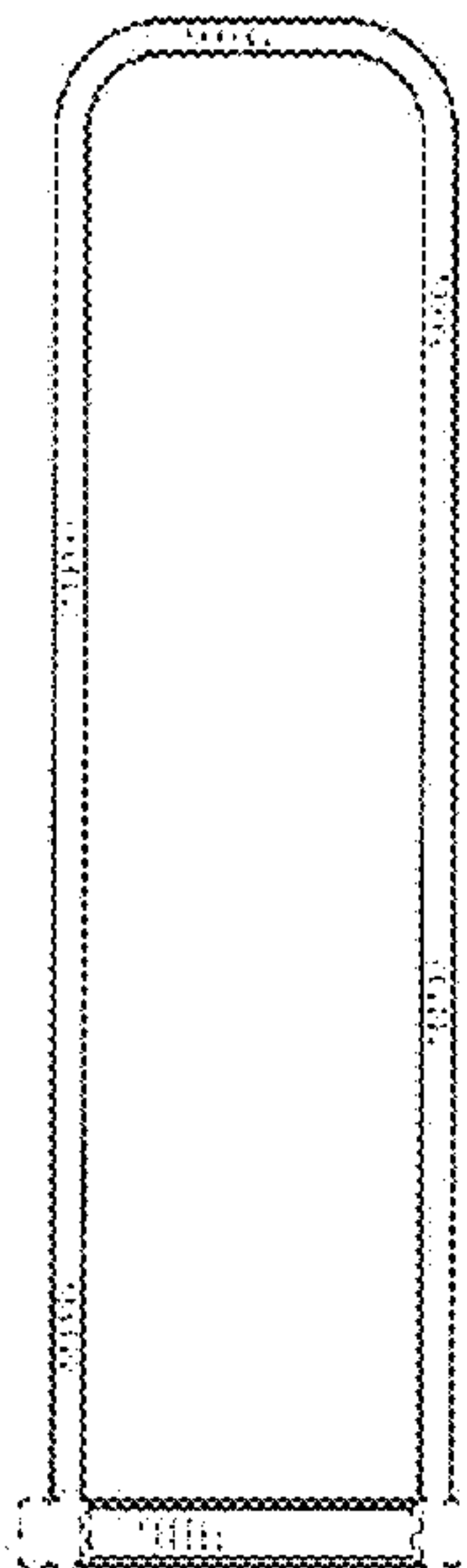


FIG. 6