



US00D713954S

(12) **United States Design Patent**  
**Paapsi**

(10) **Patent No.:** **US D713,954 S**

(45) **Date of Patent:** **\*\* Sep. 23, 2014**

(54) **FIRE LOG WITH BURN CHANNELS**

(71) Applicant: **Margus Paapsi**, Tartumaa (EE)

(72) Inventor: **Margus Paapsi**, Tartumaa (EE)

(\*\*) Term: **14 Years**

(21) Appl. No.: **29/486,552**

(22) Filed: **Mar. 31, 2014**

(30) **Foreign Application Priority Data**

Oct. 11, 2013 (EM) ..... 002324608

(51) **LOC (10) CL.** ..... **23-03**

(52) **U.S. CL.**  
USPC ..... **D23/409**

(58) **Field of Classification Search**

USPC ..... D23/405, 407, 409, 410, 415-422, 499,  
D23/403; D7/403, 404, 407; D13/100;  
44/530, 550; 126/39 E, 144, 148, 242,  
126/243, 258, 500, 540

See application file for complete search history.

(56) **References Cited**

**U.S. PATENT DOCUMENTS**

D33,836 S \* 1/1901 Van Buren ..... D23/422  
1,050,535 A \* 1/1913 Hartung ..... 44/572  
1,310,004 A \* 7/1919 Coleman ..... 44/530  
1,404,497 A \* 1/1922 Vetter et al. .... 392/348  
D71,098 S \* 9/1926 Banner et al. .... D23/409  
2,107,054 A \* 2/1938 Haymond ..... 44/519  
3,532,477 A 10/1970 De Capitani  
3,637,355 A \* 1/1972 Brockbank ..... 44/535  
3,988,121 A \* 10/1976 Leveskis ..... 44/530  
4,061,133 A \* 12/1977 Swain ..... 126/514  
4,189,305 A 2/1980 Clayton  
4,243,394 A \* 1/1981 Kincaid ..... 44/521  
4,485,584 A 12/1984 Raulerson et al.  
4,539,011 A \* 9/1985 Kretschmann ..... 44/270  
4,810,255 A \* 3/1989 Fay et al. .... 44/530

4,818,249 A \* 4/1989 Barrett, Jr. .... 44/530  
D311,578 S 10/1990 MacIsaac  
D344,584 S \* 2/1994 Carney ..... D23/410

(Continued)

**FOREIGN PATENT DOCUMENTS**

CH 697091 A5 4/2008  
DE 362075 10/1922  
DE 2001115 4/2000  
JP 2002338978 A 11/2002

*Primary Examiner* — Karen S Acker

(74) *Attorney, Agent, or Firm* — James L. Young; Westman, Champlin & Koehler, P.A.

(57) **CLAIM**

The ornamental design for a fire log with burn channels, as shown and described.

**DESCRIPTION**

FIG. 1 is a top and front perspective view of a fire log with burn channels;

FIG. 2 is an end perspective view of the fire log with burn channels of FIG. 1 (from the rear);

FIG. 3 is a top and side perspective view of the fire log with burn channels of FIG. 1;

FIG. 4 is a bottom and front perspective view of the fire log with burn channels of FIG. 1;

FIG. 5 is a top perspective view of the fire log with burn channels of FIG. 1;

FIG. 6 is a bottom perspective view of the fire log with burn channels of FIG. 1;

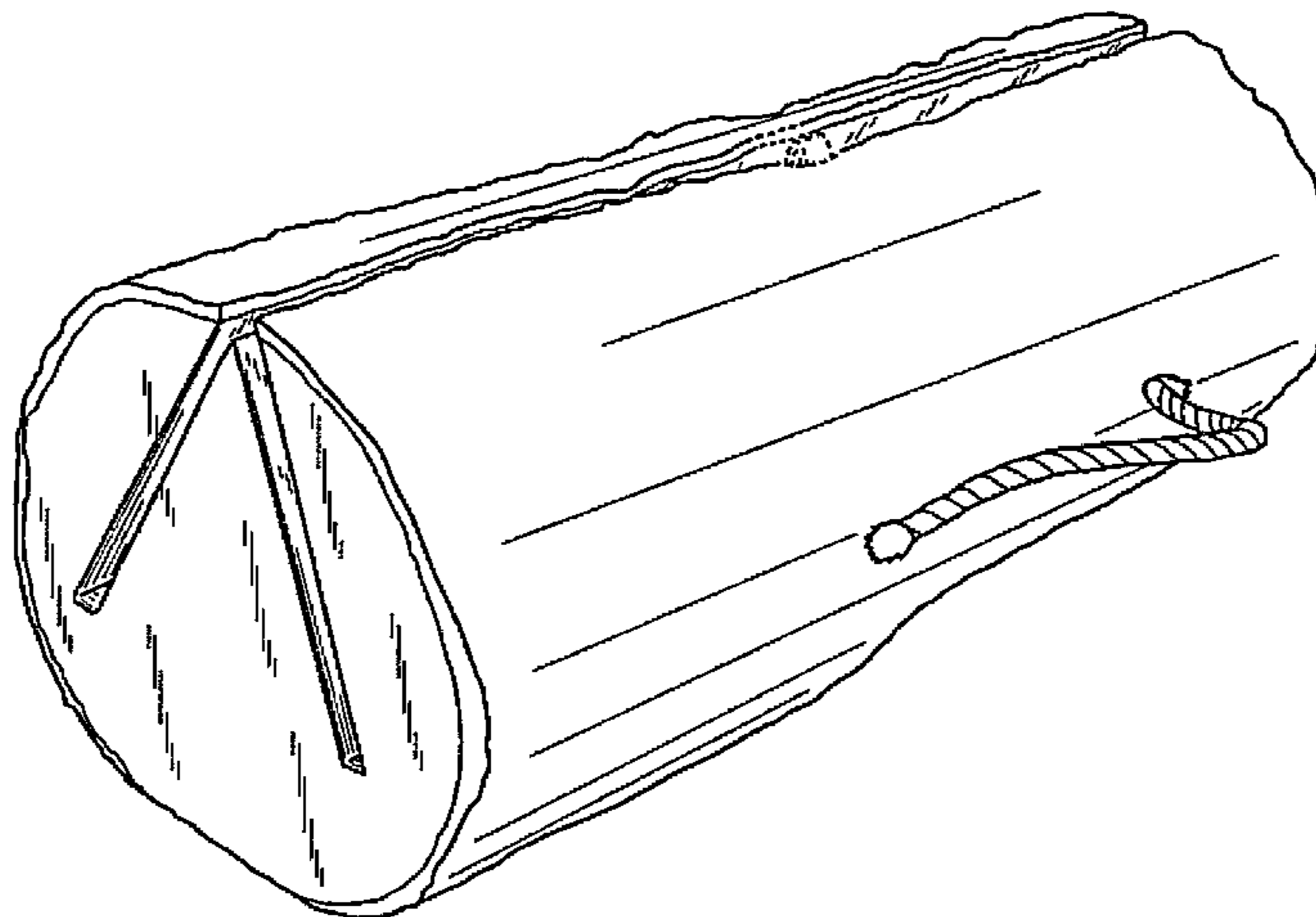
FIG. 7 is an end perspective view of the fire log with burn channels of FIG. 1 (from the front);

FIG. 8 is a side perspective view of the fire log with burn channels of FIG. 1 (from the right); and,

FIG. 9 is a side perspective view of the fire log with burn channels of FIG. 1 (from the left).

The broken lines in the drawings represent portions of the fire log with burn channels that are not included in the claim. The broken lines form no part of the claimed design.

**1 Claim, 7 Drawing Sheets**



(56)

References Cited

U.S. PATENT DOCUMENTS

D362,655	S	9/1995	Bain					
5,743,248	A	4/1998	Jansen, Jr.					
D412,368	S	7/1999	Gazzola et al.					
5,958,090	A *	9/1999	Chandaria	44/535				
D429,350	S	8/2000	Tingley					
6,740,135	B2 *	5/2004	Thompson	44/530				
6,899,740	B2 *	5/2005	Rast et al.	44/531				
8,250,995	B2 *	8/2012	Lee	110/317				
8,425,634	B2 *	4/2013	Parker				44/606	
8,597,381	B2 *	12/2013	Paapsi				44/522	
D700,569	S	3/2014	Payne					
2003/0070349	A1	4/2003	Thompson					
2005/0016062	A1 *	1/2005	Bonnell-Rickard et al.	44/535				
2006/0162244	A1	7/2006	Hsiao					
2006/0230673	A1 *	10/2006	Barford et al.	44/535				
2009/0307968	A1	12/2009	Parker					
2012/0090227	A1 *	4/2012	Lush	44/535				
2012/0304533	A1	12/2012	Paapsi					

\* cited by examiner

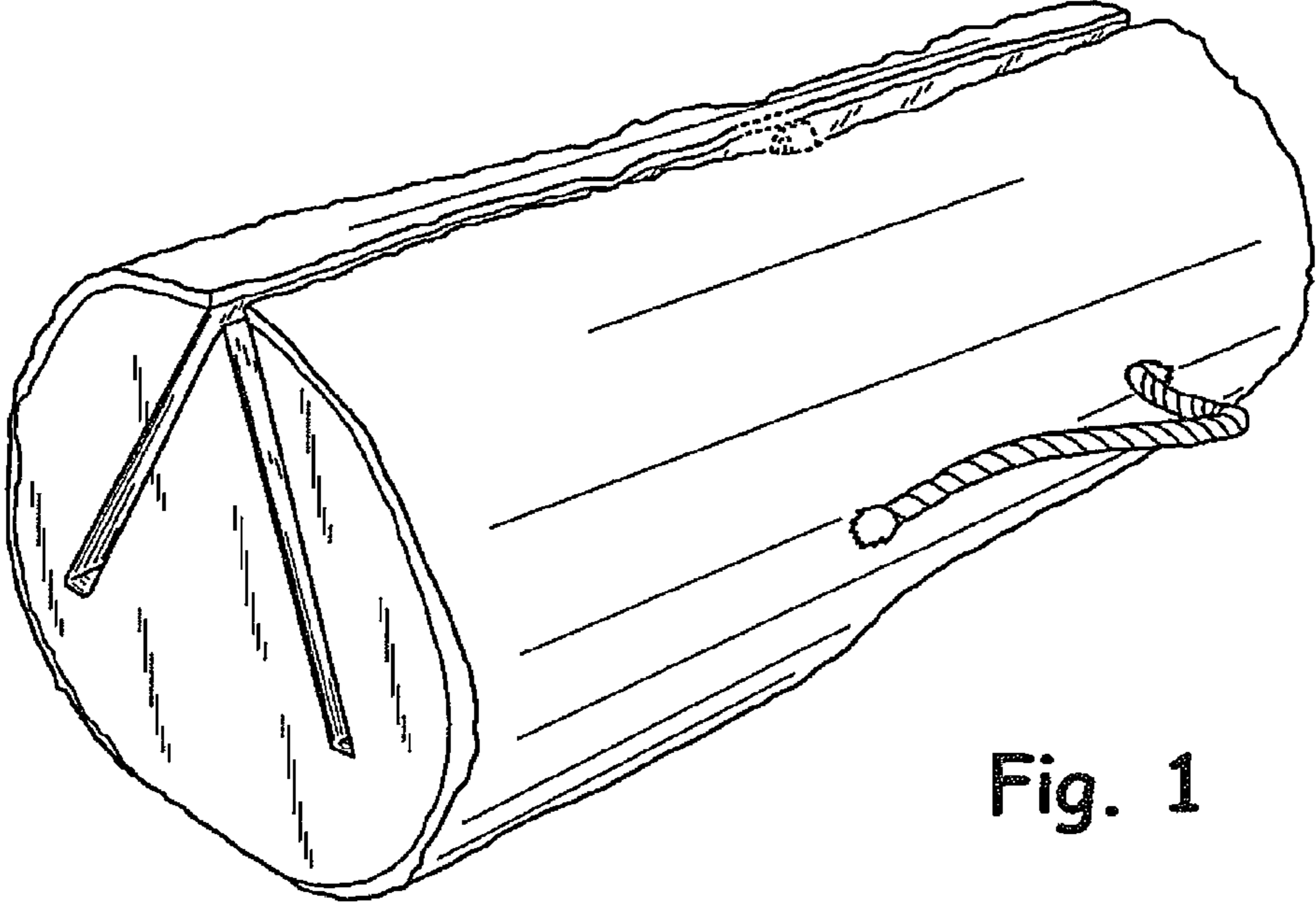


Fig. 1

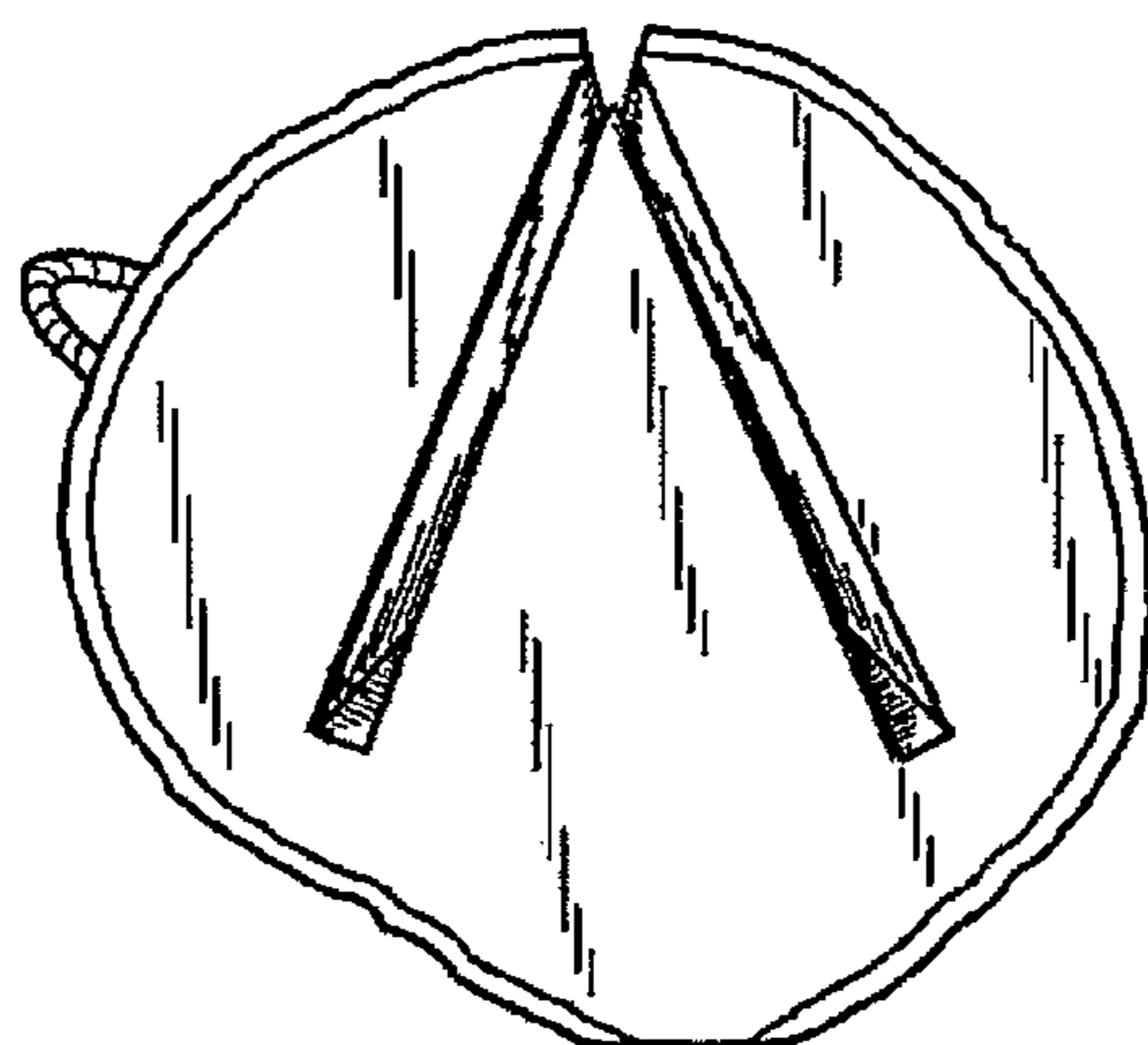


Fig. 2

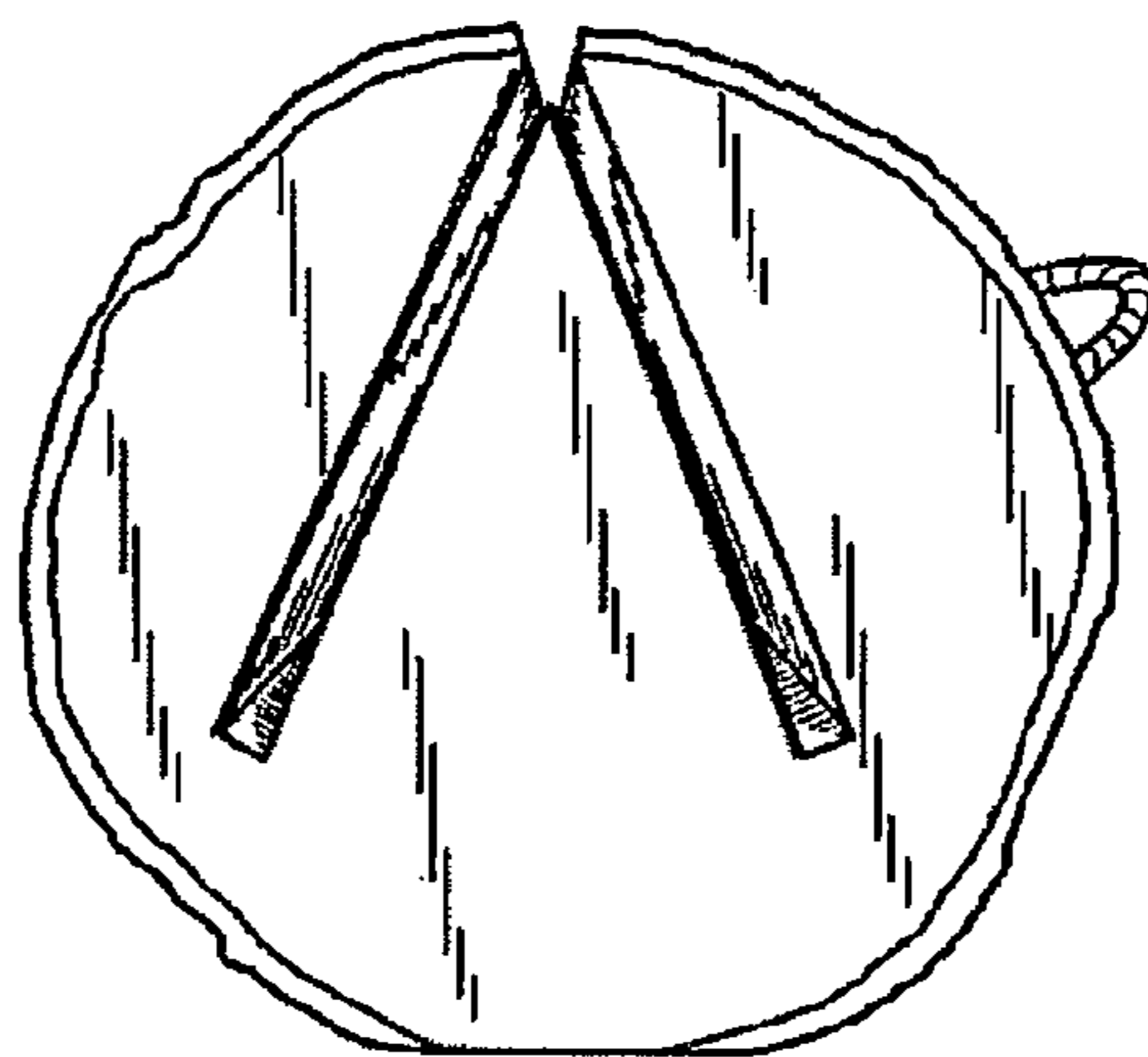


Fig. 7

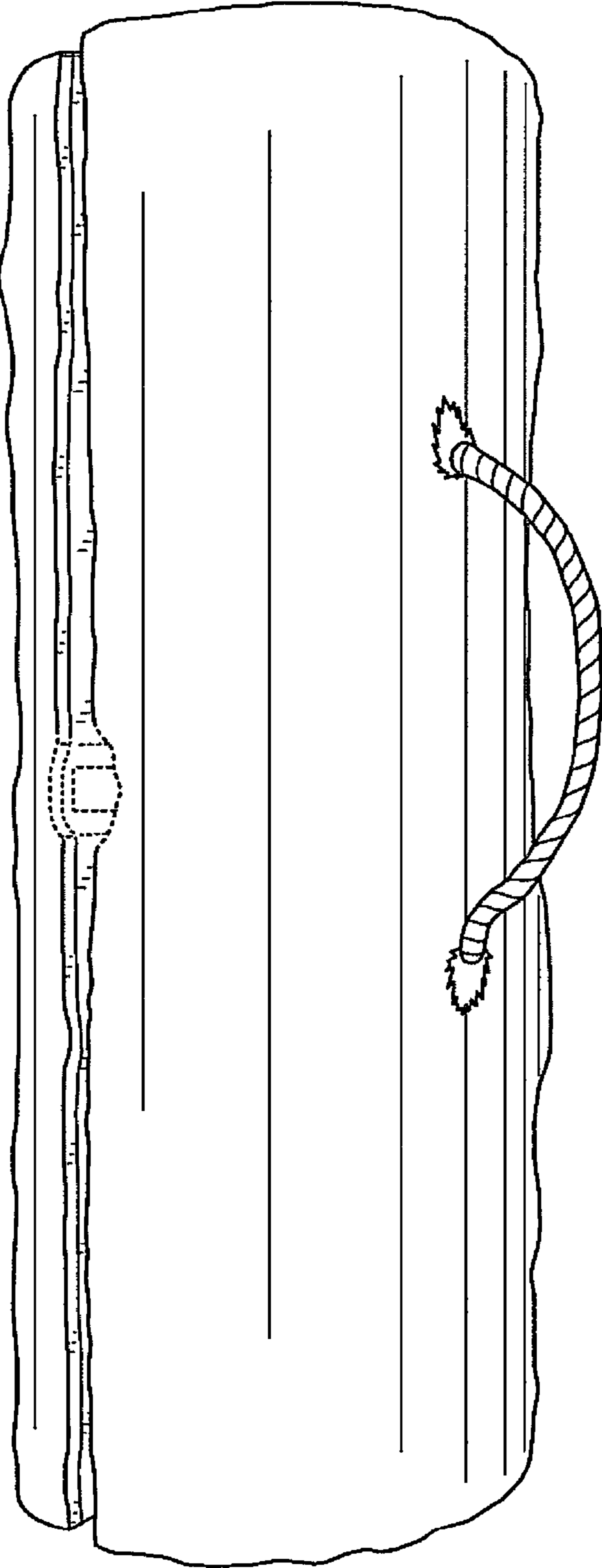


Fig. 3

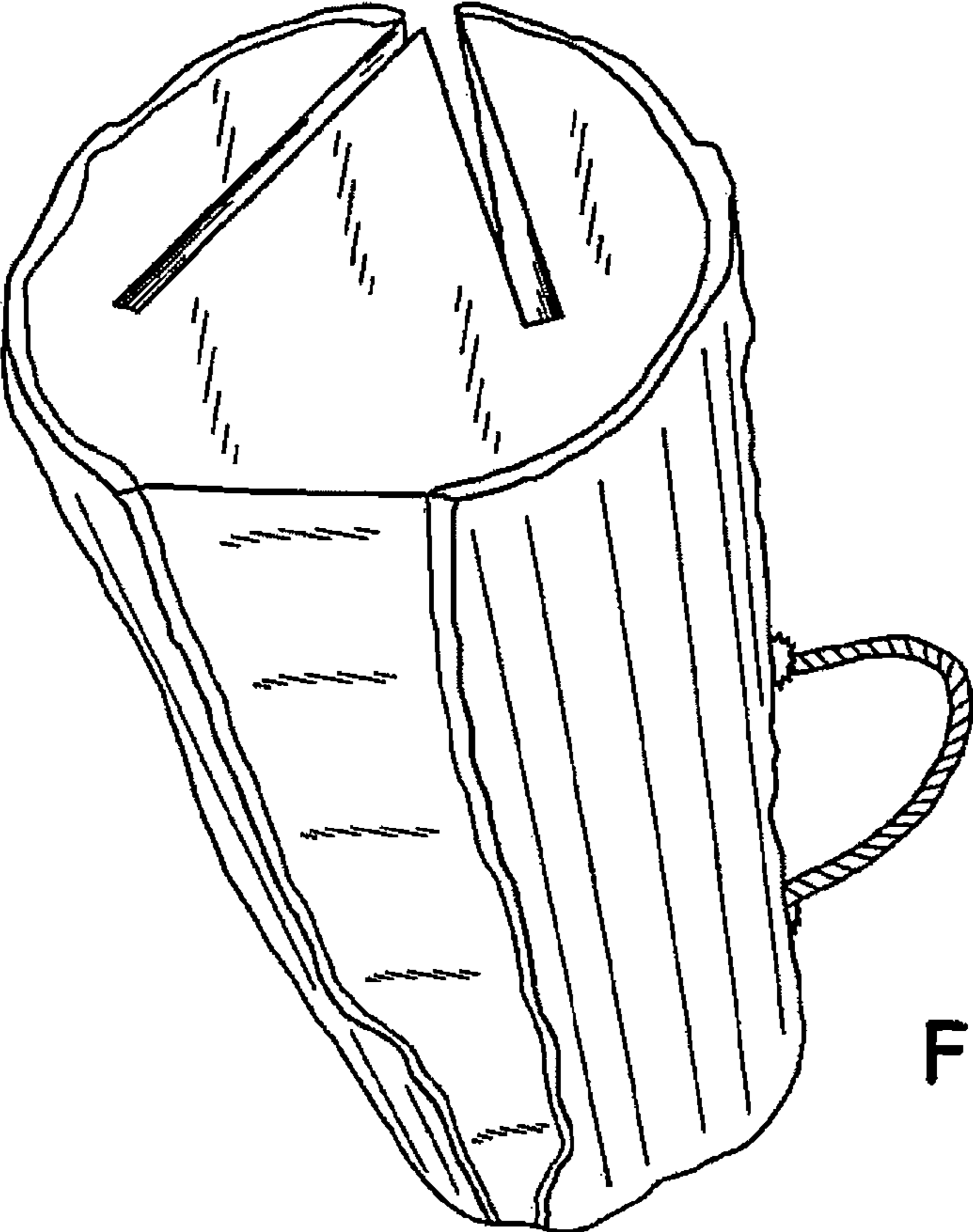


Fig. 4

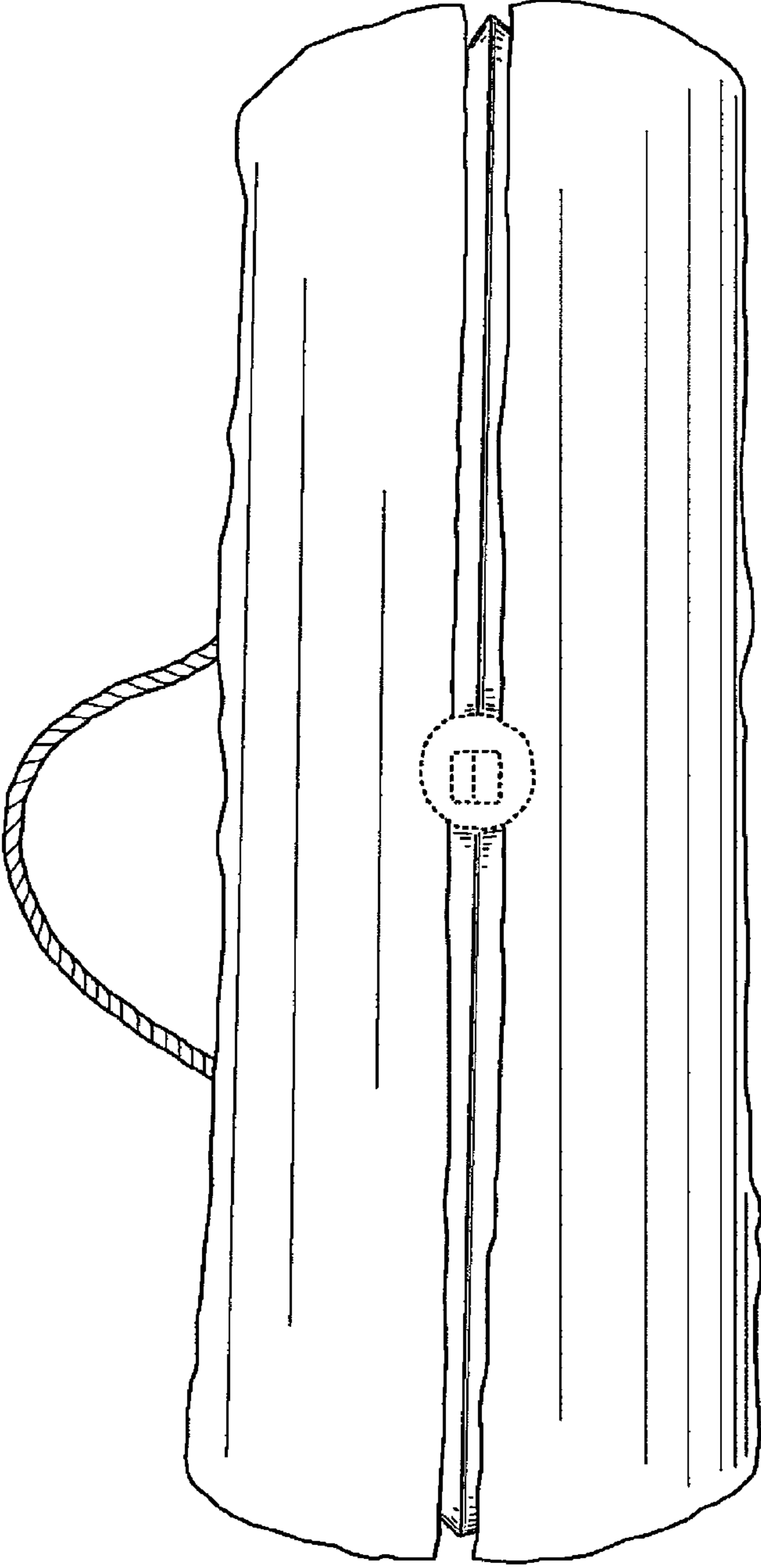


Fig. 5

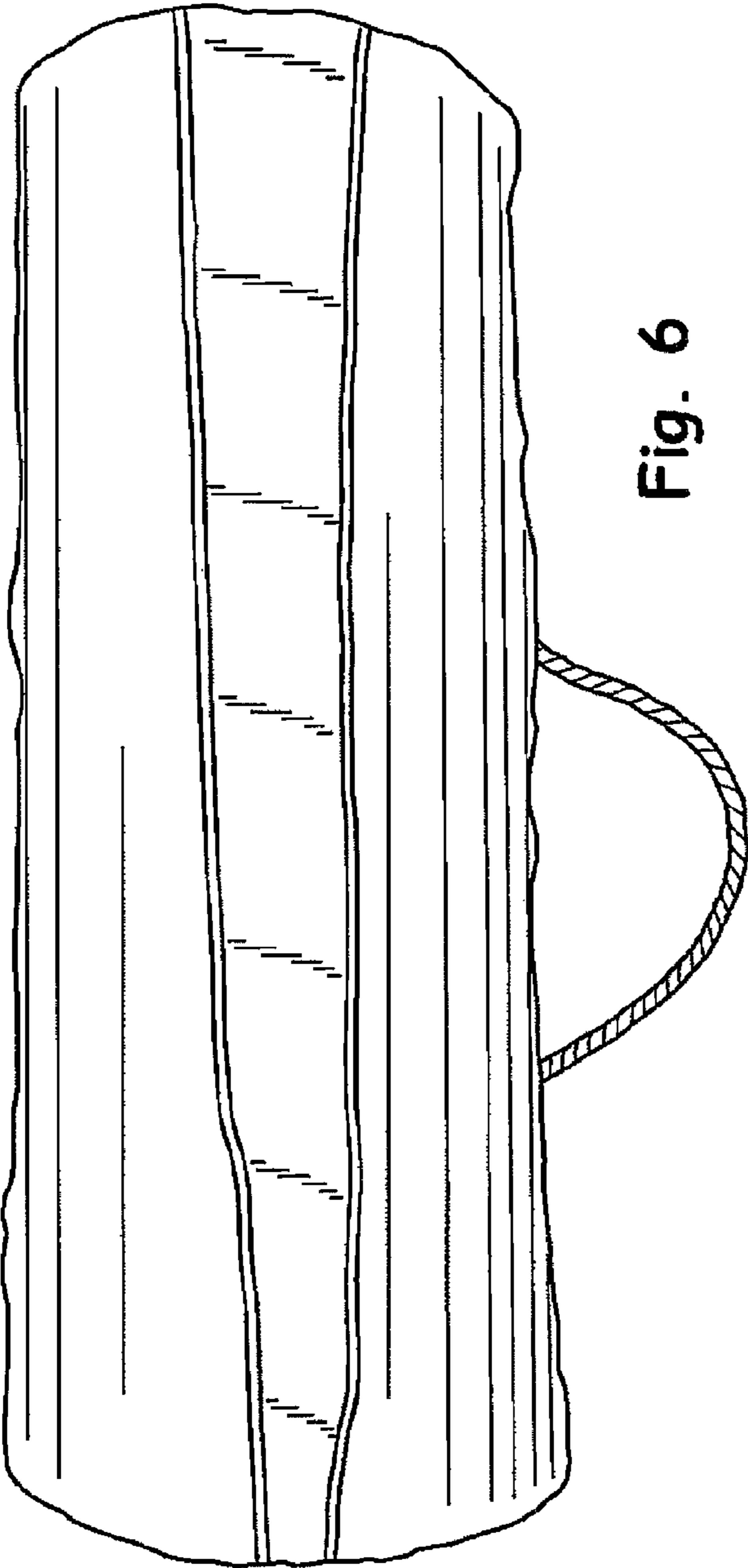


Fig. 6



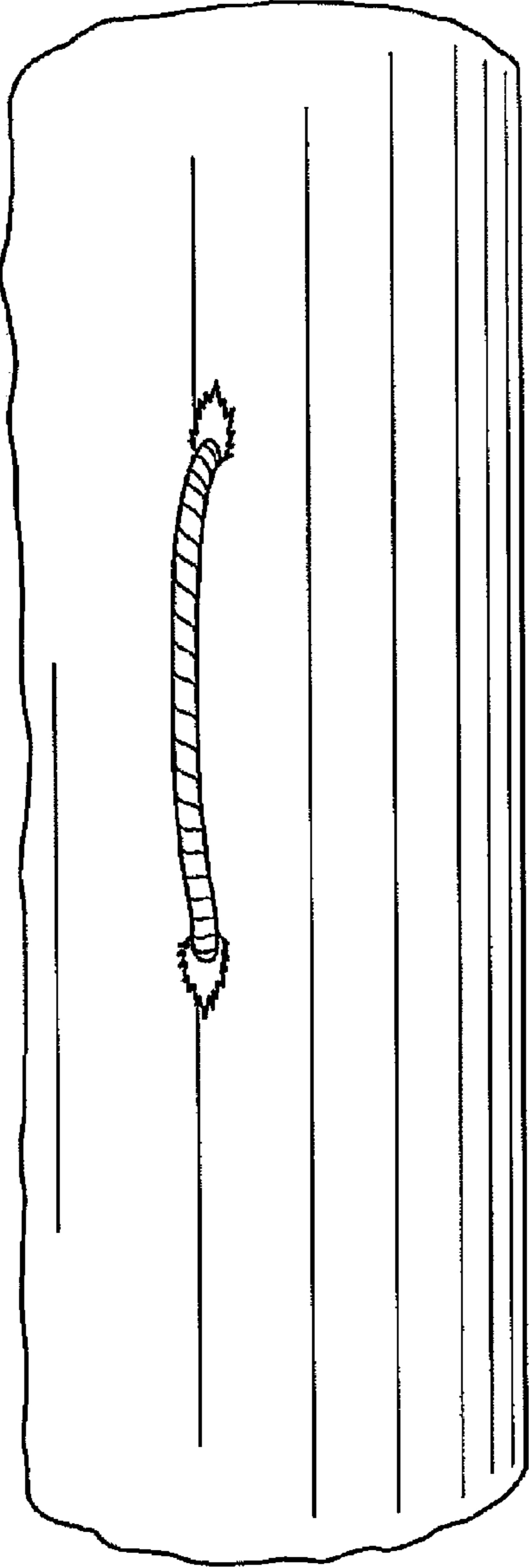


Fig. 8

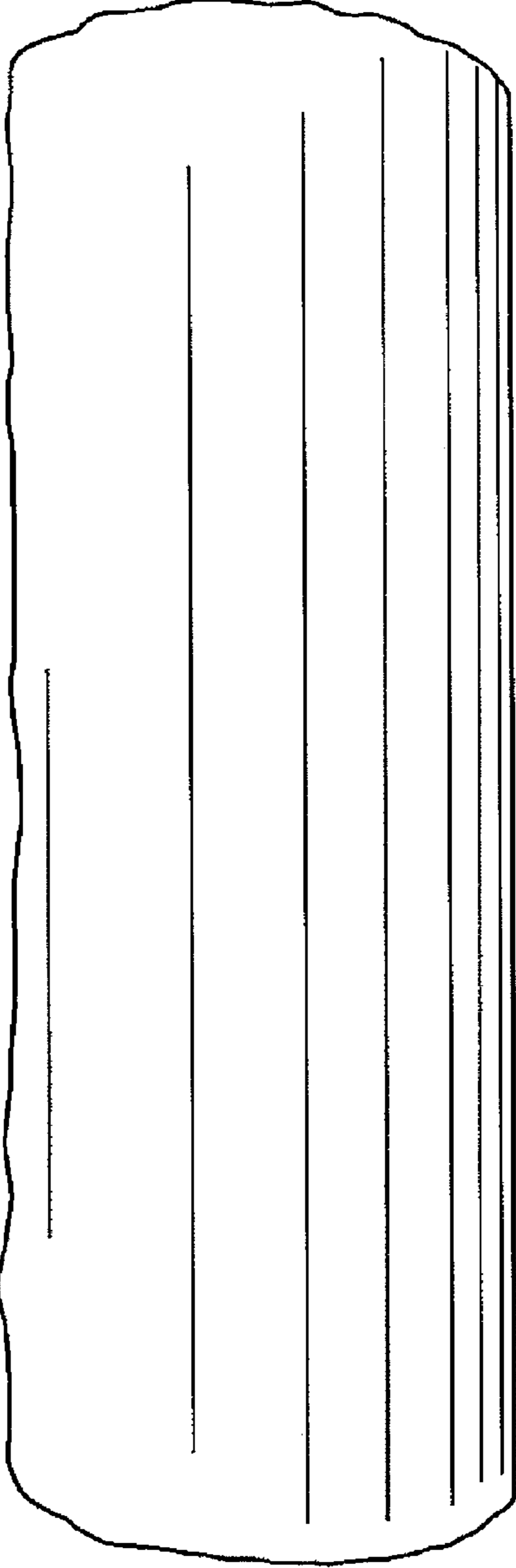


Fig. 9