



US00D713951S

(12) **United States Design Patent**
Jepson

(10) **Patent No.:** **US D713,951 S**
(45) **Date of Patent:** **** Sep. 23, 2014**

(54) **VENT GRILLE**
(75) Inventor: **Raymond Jepson**, Montreal (CA)
(73) Assignee: **Stelpro Design Inc.**, Quebec (CA)
(**) Term: **14 Years**

7,288,188 B2 *	10/2007	Al-Assfour	210/164
D566,257 S *	4/2008	Deng	D23/371
D566,262 S *	4/2008	Zakula et al.	D23/388
D577,431 S *	9/2008	Miyake et al.	D23/385
D581,510 S *	11/2008	Albano et al.	D23/388
D595,402 S *	6/2009	Miyake et al.	D23/385
D678,995 S *	3/2013	Hoshino et al.	D23/388
D681,794 S *	5/2013	Lin et al.	D23/371

(21) Appl. No.: **29/425,418**
(22) Filed: **Jun. 22, 2012**

* cited by examiner

Primary Examiner — David Muller
(74) *Attorney, Agent, or Firm* — Timothy D. Bennett;
Emerson Thomson Bennett

(30) **Foreign Application Priority Data**
Dec. 23, 2011 (CA) 143811
(51) **LOC (10) Cl.** **23-04**
(52) **U.S. Cl.**
USPC **D23/388**
(58) **Field of Classification Search**
USPC D23/388–393, 381, 382, 370, 371, 354,
D23/358, 386, 351; 454/309, 275–277, 284,
454/287–289; D26/118, 72, 152
See application file for complete search history.

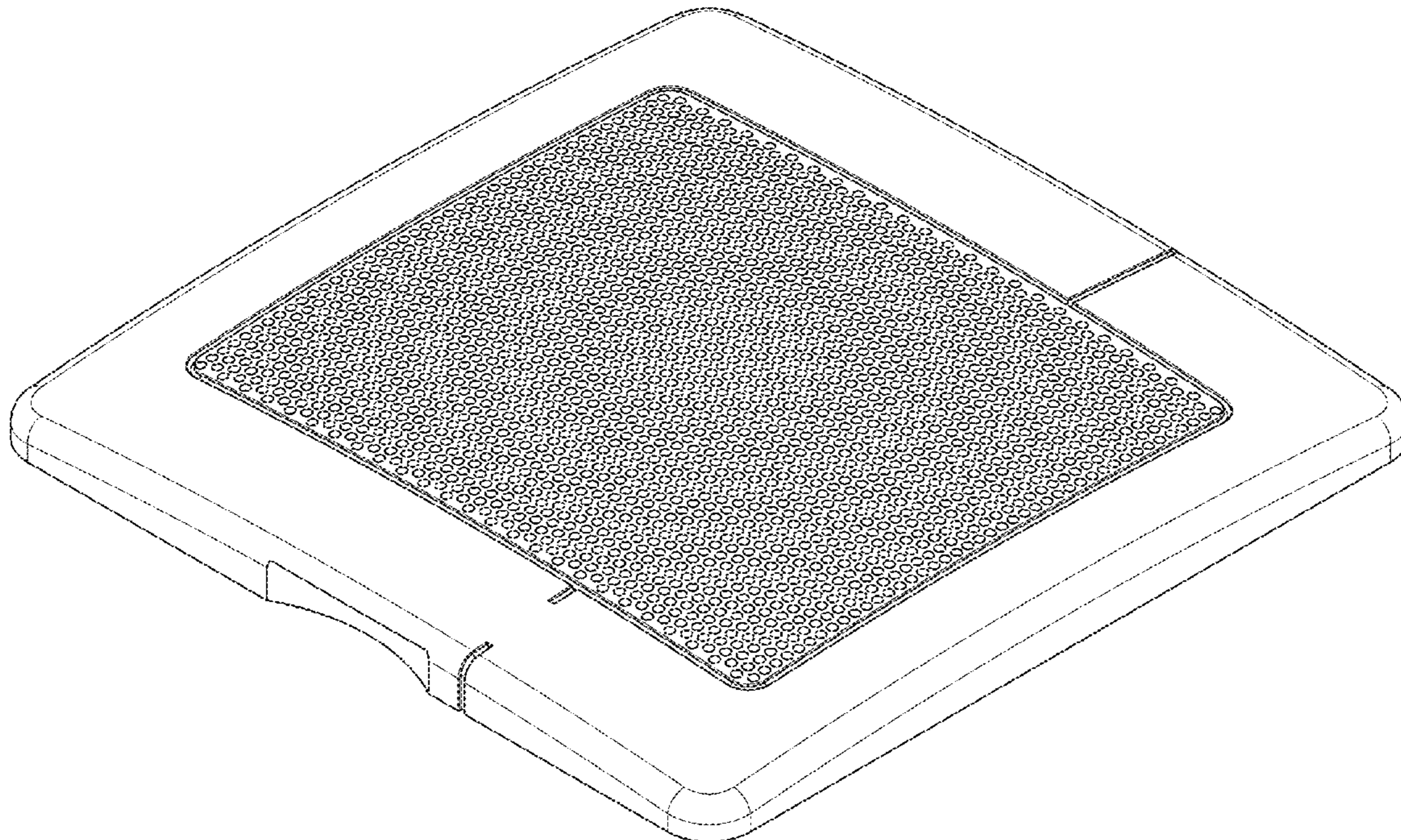
(57) **CLAIM**
The ornamental design for a vent grille, as shown and described.

(56) **References Cited**
U.S. PATENT DOCUMENTS
D387,859 S * 12/1997 Ukai et al. D23/371
D416,315 S * 11/1999 Nanjo D23/351
D426,292 S * 6/2000 Nanjo D23/351
D512,503 S * 12/2005 Roland D23/412
D541,927 S * 5/2007 Yamanaka et al. D23/388

DESCRIPTION

FIG. 1 is a perspective view of a vent grille according to this invention;
FIG. 2 is a top view of the vent grille shown in FIG. 1;
FIG. 3 is a bottom view of the vent grille shown in FIG. 1;
FIG. 4 is a front view of the vent grille shown in FIG. 1;
FIG. 5 is a back view of the vent grille shown in FIG. 1;
FIG. 6 is a right side view of the vent grille shown in FIG. 1;
and,
FIG. 7 is a left side view of the vent grille shown in FIG. 1.
The broken line showing of parts of the drawings is included for the purpose of illustrating use and environment and forms no part of the claimed design.

1 Claim, 7 Drawing Sheets



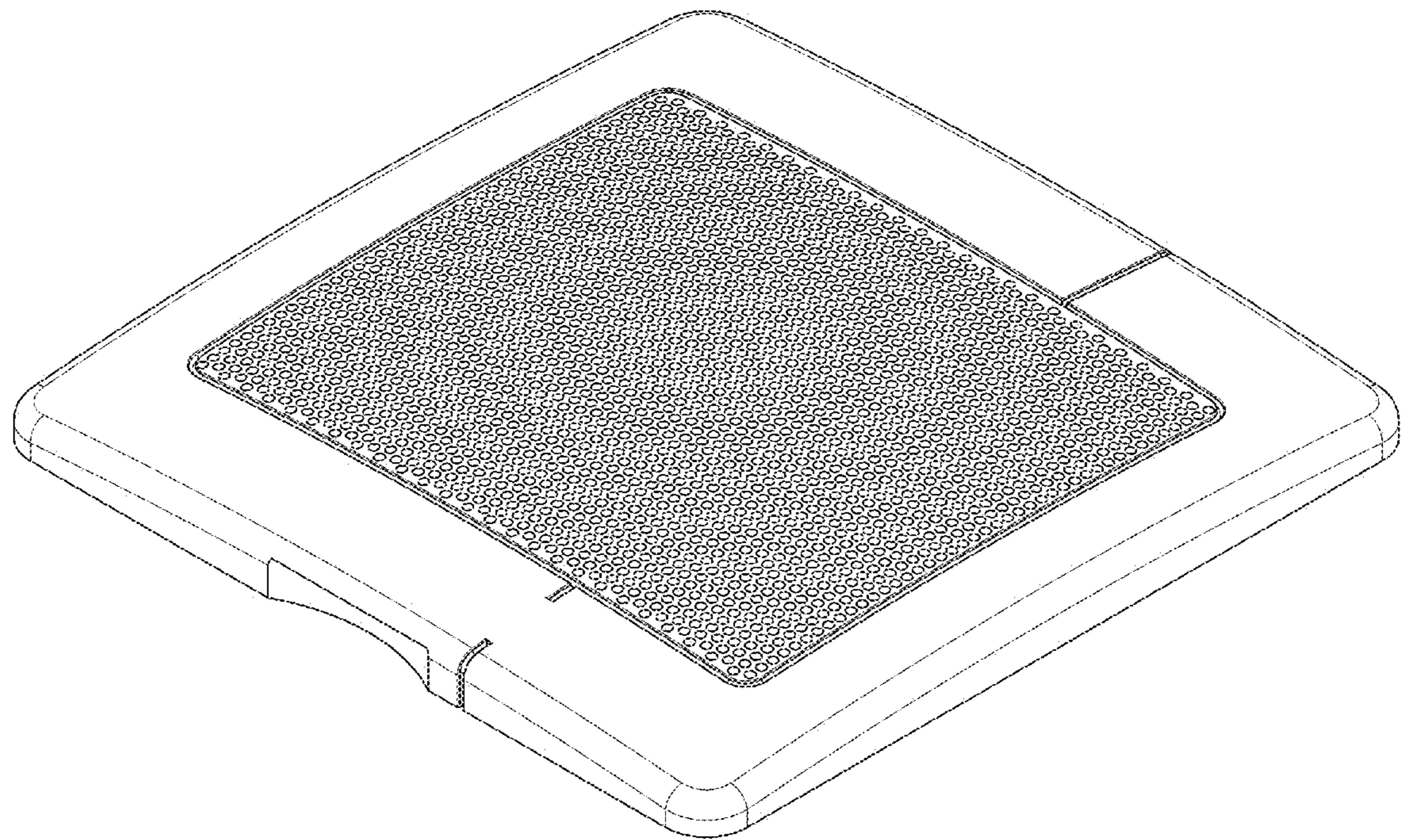


FIG. 1

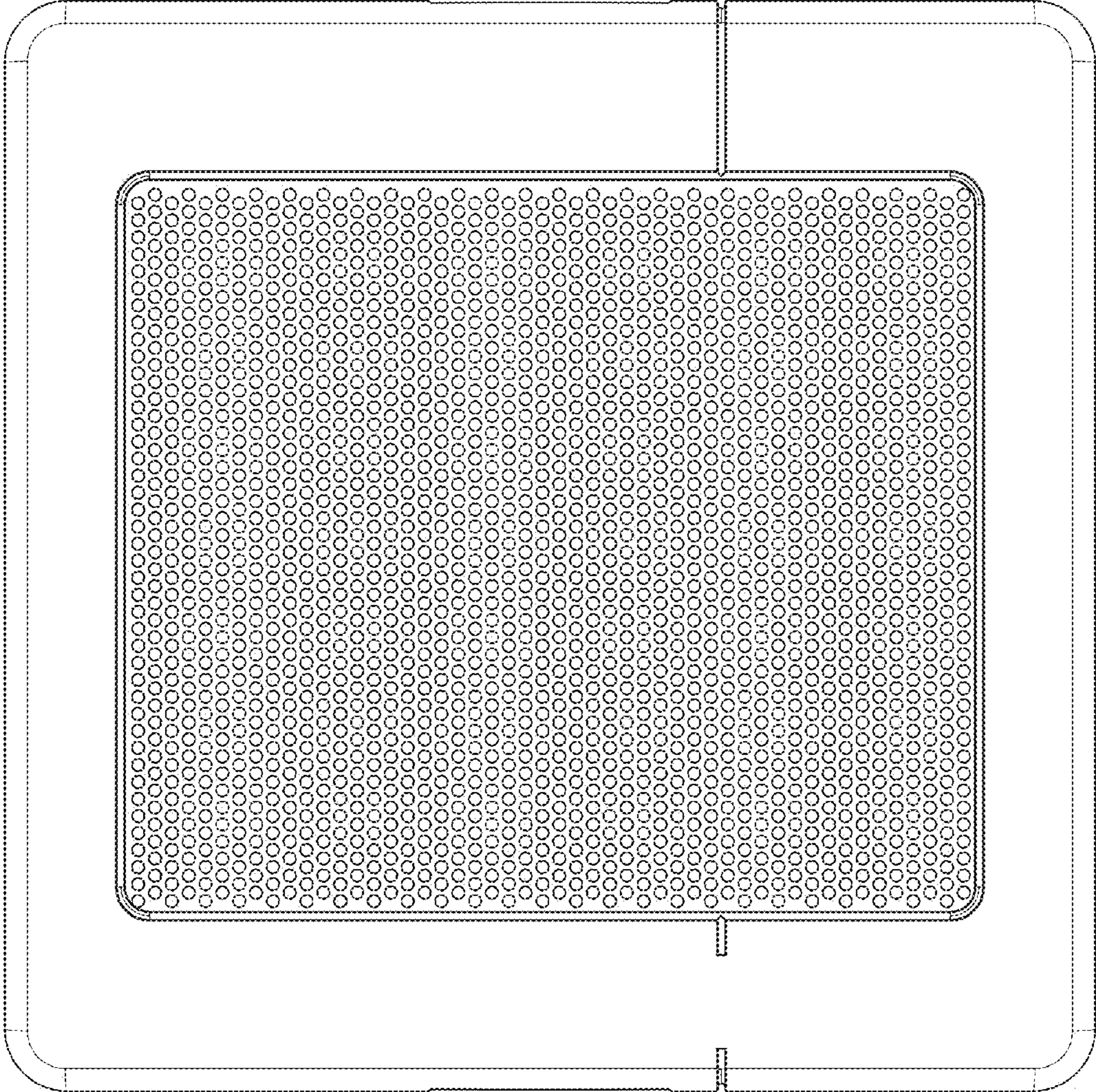


FIG. 2

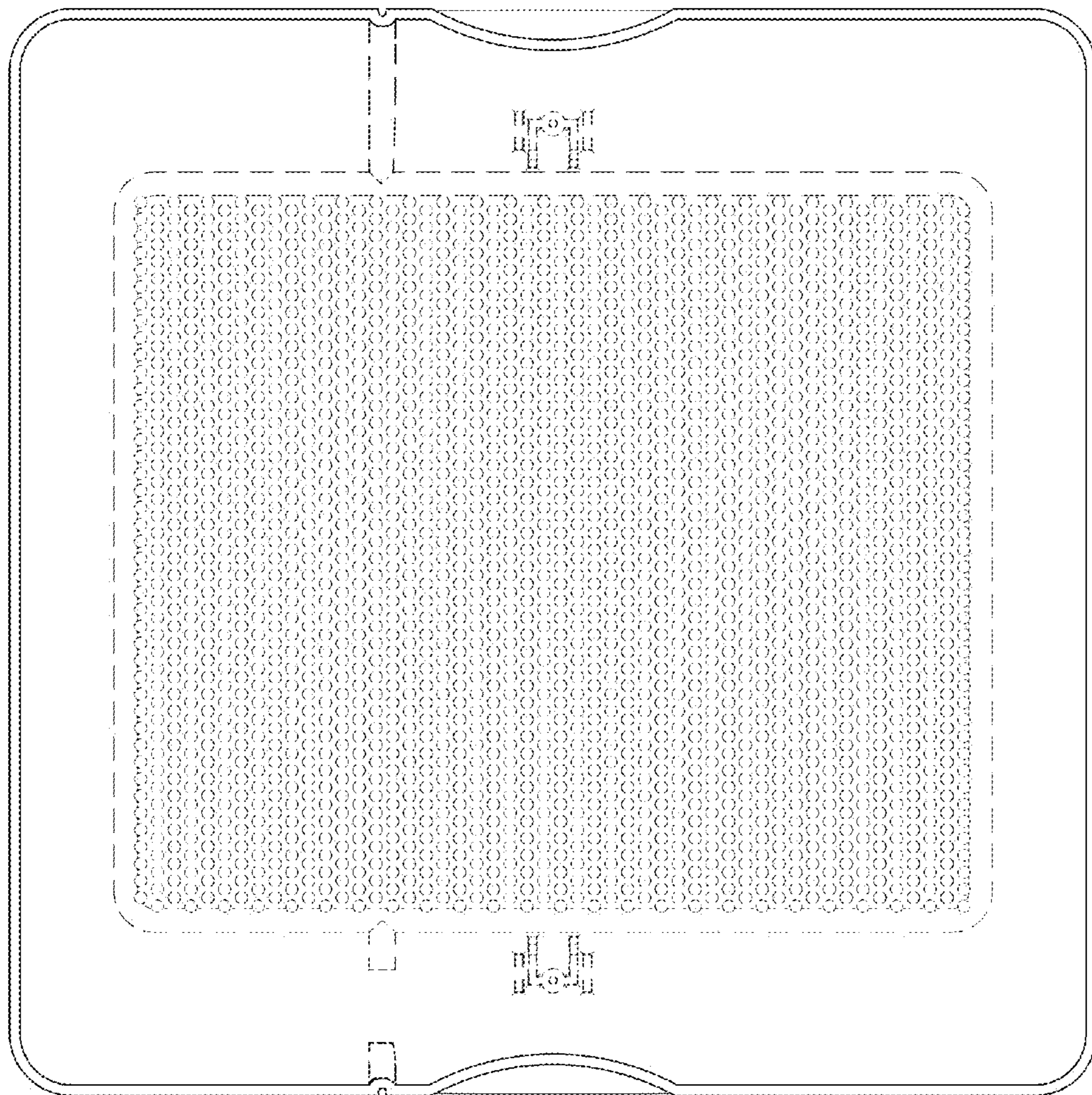


FIG. 3

FIG. 4

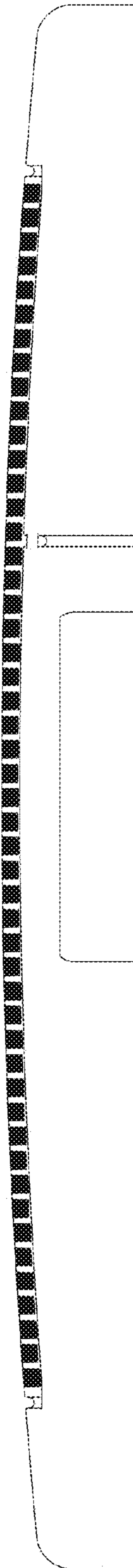


FIG. 5

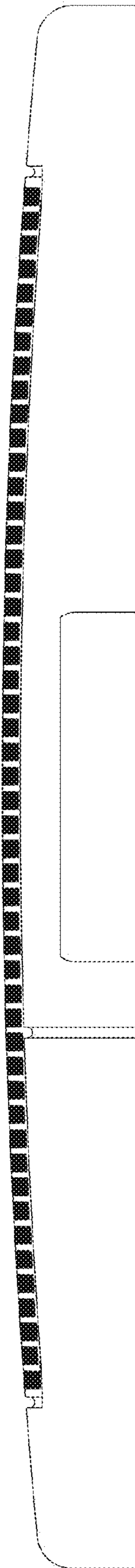


FIG. 6

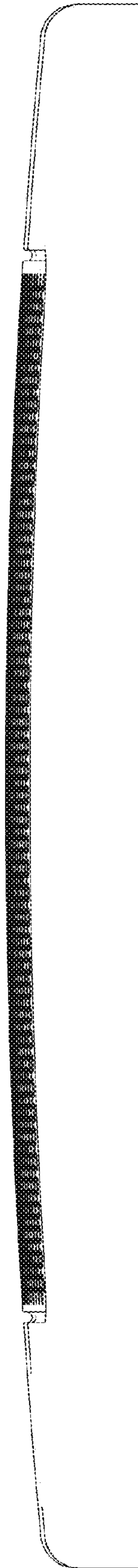


FIG. 7

