



US00D713949S

(12) **United States Design Patent**  
**Moore**

(10) **Patent No.:** **US D713,949 S**

(45) **Date of Patent:** **\*\* Sep. 23, 2014**

(54) **DUCT SEAL FOR JOINING DUCT BOARDS**

(76) Inventor: **Mark Moore**, Waco, TX (US)

(\*\*) Term: **14 Years**

(21) Appl. No.: **29/391,623**

(22) Filed: **May 11, 2011**

(51) **LOC (10) Cl.** ..... **23-04**

(52) **U.S. Cl.**  
USPC ..... **D23/386**

(58) **Field of Classification Search**  
USPC ..... D23/385–388, 392–393; D13/155;  
D25/119; 52/244, 220.1–220.8;  
277/606, 618; 285/42–44

See application file for complete search history.

(56) **References Cited**

U.S. PATENT DOCUMENTS

969,163	A *	9/1910	Hunter	.....	312/140
2,103,064	A *	12/1937	Clark	.....	52/220.1
3,486,283	A *	12/1969	Arnett	.....	52/255
3,603,054	A *	9/1971	Didry	.....	52/282.1
D228,453	S *	9/1973	Greer	.....	D25/119
4,291,905	A	9/1981	Schrock		
4,331,338	A	5/1982	Caldwell et al.		
4,441,723	A	4/1984	Greenwald		
D283,352	S *	4/1986	Bancroft	.....	D25/119
4,747,750	A *	5/1988	Chlus et al.	.....	415/173.7
4,783,115	A *	11/1988	Galubensky et al.	.....	296/208
D306,079	S *	2/1990	Whitney	.....	D25/119
D313,478	S *	1/1991	Whitney	.....	D25/119
D318,343	S *	7/1991	Miller et al.	.....	D13/155
D318,742	S *	7/1991	Miller	.....	D13/155

D320,094	S *	9/1991	Miller et al.	.....	D13/155
5,277,005	A *	1/1994	Hellwig et al.	.....	52/220.7
6,778,792	B1 *	8/2004	Martin	.....	399/92
6,942,915	B1 *	9/2005	Kondo et al.	.....	52/220.2
7,022,008	B1 *	4/2006	Crocker	.....	454/69
D529,874	S *	10/2006	Ness et al.	.....	D13/179
D553,238	S *	10/2007	Haggkvist	.....	D23/386
D652,568	S *	1/2012	Trzesniowski	.....	D26/138
D652,569	S *	1/2012	Trzesniowski	.....	D26/138

\* cited by examiner

*Primary Examiner* — Cathy A MacCormac

(74) *Attorney, Agent, or Firm* — Scott T. Griggs; Griggs Bergen LLP

(57) **CLAIM**

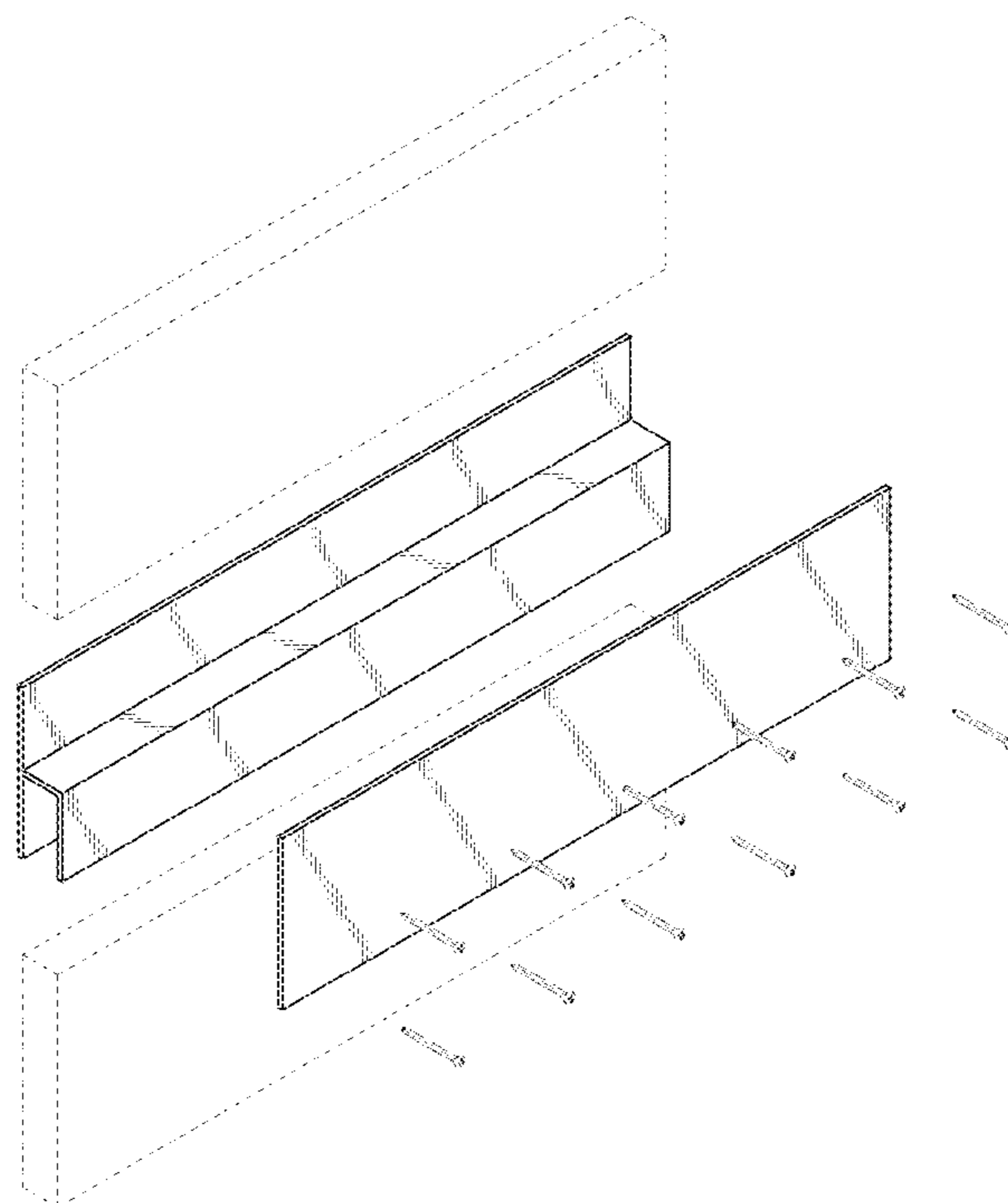
The ornamental design for a duct seal for joining duct boards, as shown and described.

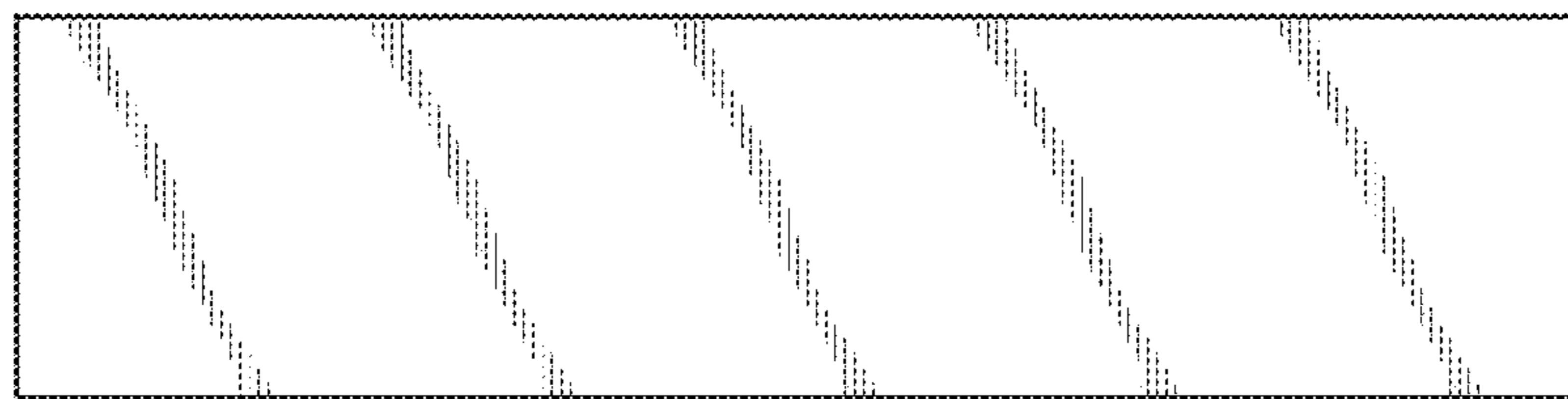
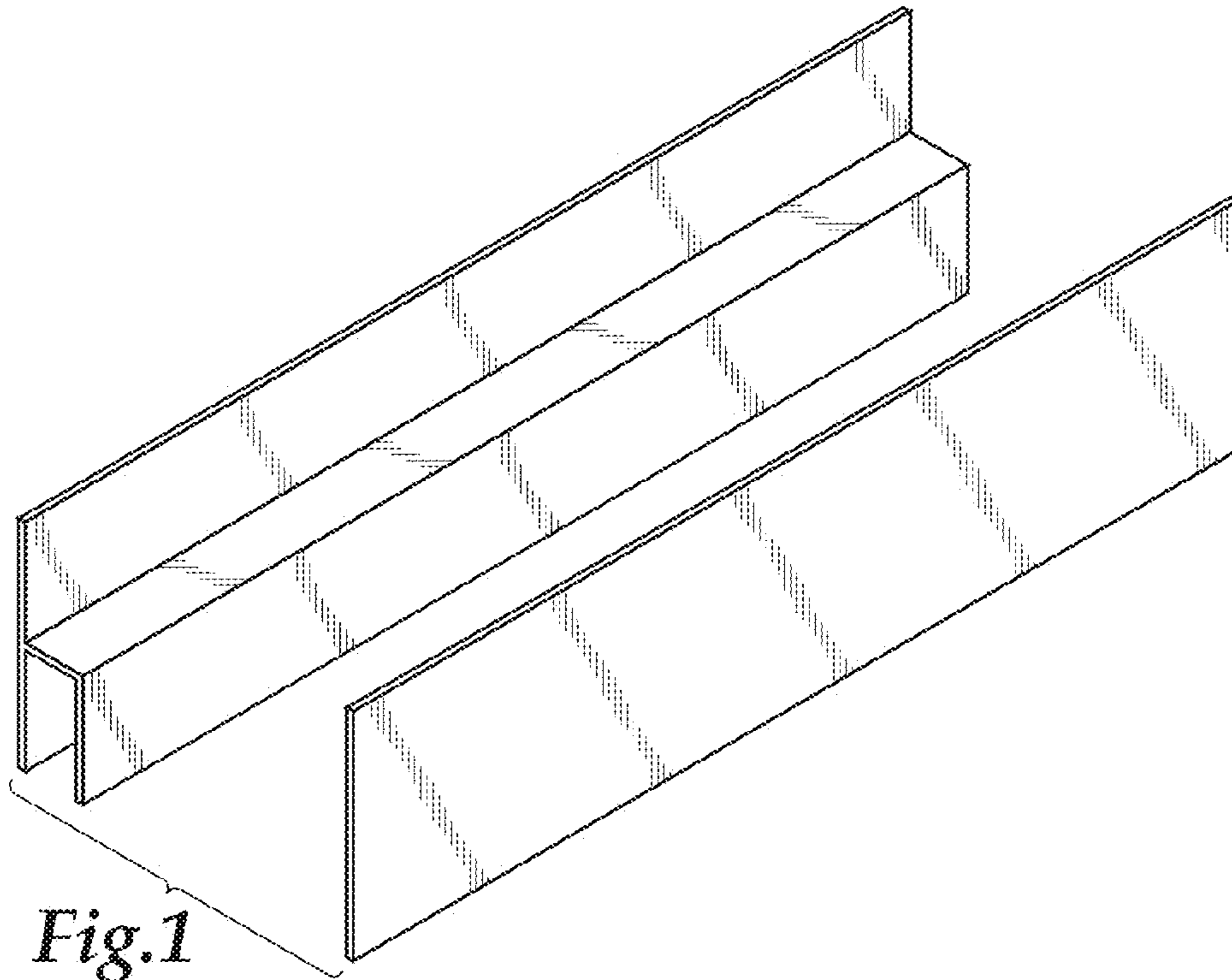
**DESCRIPTION**

FIG. 1 is a front perspective view of a duct seal for joining duct boards showing my new design including an h-shaped duct lock member and a locking plate; FIG. 2 is a rear view of the h-shaped duct lock member, which forms a portion of the duct seal for joining duct boards; FIG. 3 is a rear view of the locking plate, which forms a portion of the duct seal for joining duct boards; and, FIG. 4 is an exploded view illustrating the duct seal for joining duct boards coupling two duct boards with the use of fasteners.

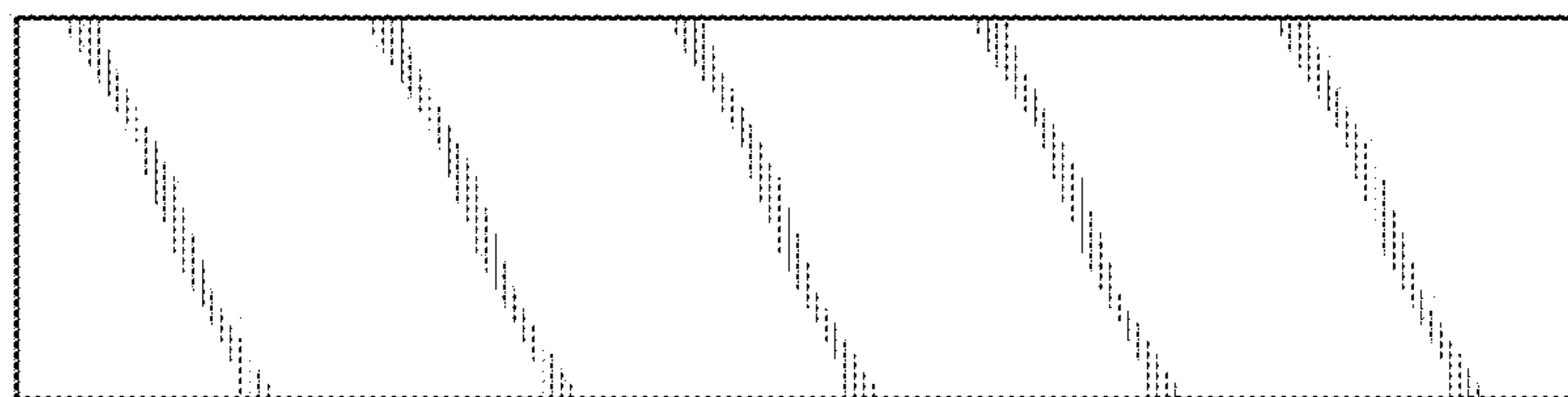
The broken lines illustrating duct boards and fasteners are provided for illustration purposes only and form no part of the claimed design.

**1 Claim, 2 Drawing Sheets**

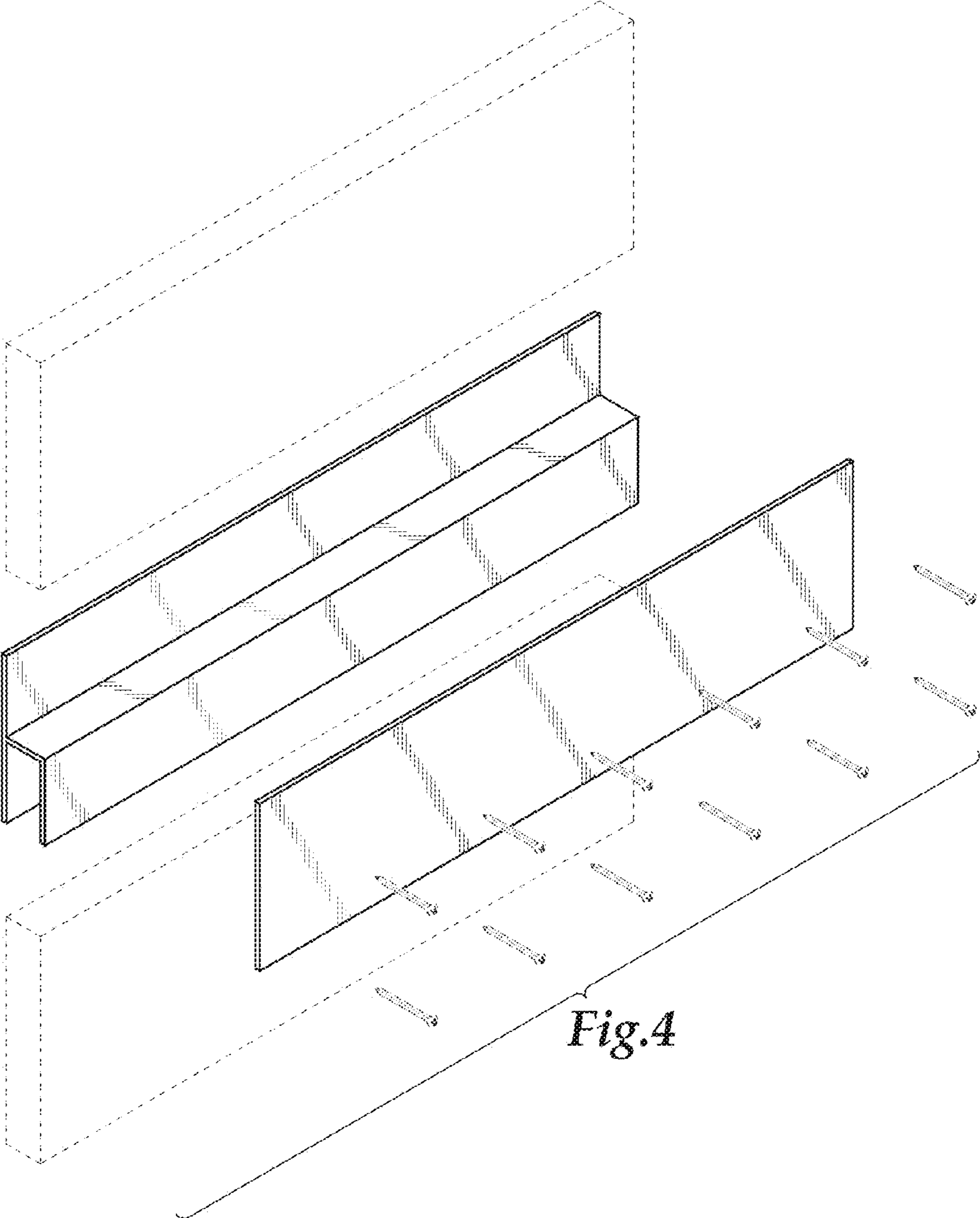




*Fig. 2*



*Fig. 3*



*Fig.4*