



US00D713948S

(12) **United States Design Patent**
Westphal

(10) **Patent No.:** **US D713,948 S**

(45) **Date of Patent:** **** Sep. 23, 2014**

- (54) **DISPENSER**
- (71) Applicant: **Nathan R. Westphal**, Union Grove, WI (US)
- (72) Inventor: **Nathan R. Westphal**, Union Grove, WI (US)
- (73) Assignee: **S.C. Johnson & Son, Inc.**, Racine, WI (US)

4,040,568 A	8/1977	Mason, Jr. et al.
4,067,692 A	1/1978	Farris
1,514,712 A	6/1978	Cashmore
4,154,398 A	5/1979	Gualandi
4,219,145 A	8/1980	Jaeschke et al.
4,258,004 A	3/1981	Valenzona et al.
4,277,014 A	7/1981	Webinger
4,301,949 A	11/1981	Palson et al.
4,306,679 A	12/1981	Dusek et al.
4,339,079 A	7/1982	Sato et al.
4,361,279 A	11/1982	Beacham
4,502,630 A	3/1985	Haworth et al.

(**) Term: **14 Years**

(Continued)

(21) Appl. No.: **29/461,370**

FOREIGN PATENT DOCUMENTS

(22) Filed: **Jul. 22, 2013**

DE	20207512 U1	8/2002
EM	001719642-0002	6/2010

(Continued)

Related U.S. Application Data

(63) Continuation-in-part of application No. 29/438,208, filed on Nov. 27, 2012.

Primary Examiner — Sandra Snapp

(51) **LOC (10) Cl.** **28-99**

(57) **CLAIM**

(52) **U.S. Cl.**

The ornamental design for a dispenser, as shown and described.

CPC **A61L 9/12** (2013.01)

USPC **D23/366**

DESCRIPTION

(58) **Field of Classification Search**

USPC D23/355-369; D28/5, 6; 261/DIG. 17, 261/DIG. 42, DIG. 65, DIG. 88, DIG. 89; 392/386, 390, 394, 395; 239/34, 44, 239/53, 55, 56, 326

See application file for complete search history.

FIG. 1 is an isometric view of a top, front, and right side of an ornamental design for a dispenser;
FIG. 2 is a front elevational view of the dispenser of FIG. 1;
FIG. 3 is a rear elevational view of the dispenser of FIG. 1;
FIG. 4 is a right side elevational view of the dispenser of FIG. 1;
FIG. 5 is a left side elevational view of the dispenser of FIG. 1;
FIG. 6 is a top plan view of the dispenser of FIG. 1; and,
FIG. 7 is a bottom plan view of the dispenser of FIG. 1.

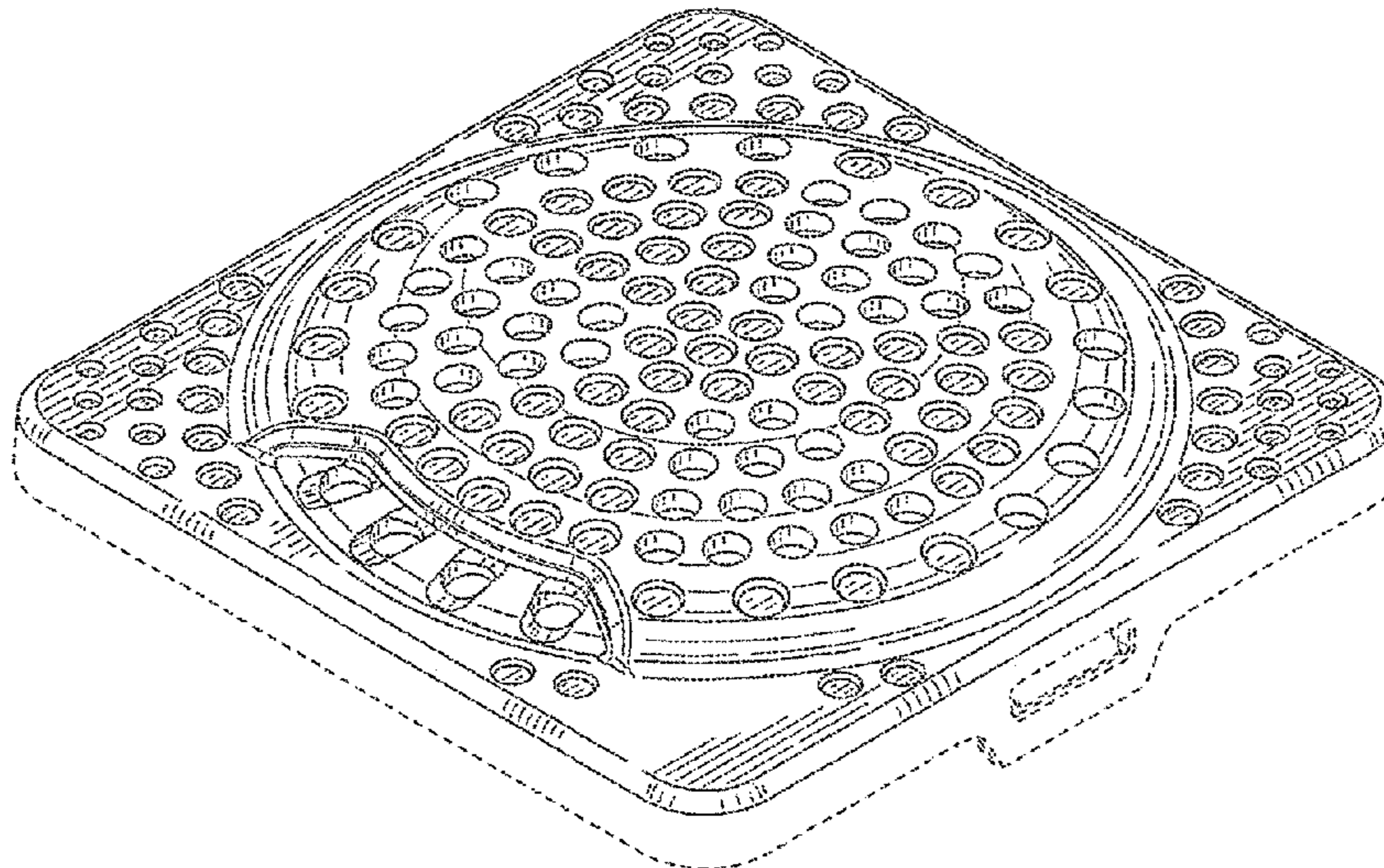
(56) **References Cited**

U.S. PATENT DOCUMENTS

2,247,600 A	7/1941	Brennan et al.
2,642,310 A	6/1953	Meek et al.
2,657,090 A	10/1953	Meek
2,664,810 A	1/1954	Halbriter
2,765,194 A	10/1956	Will
3,964,684 A *	6/1976	Schimanski 239/56

The dash-dash-dash-dash broken lines in FIGS. 1-7 are for the purpose of illustrating environmental structure and form no part of the claimed design.

1 Claim, 3 Drawing Sheets



(56)

References Cited

U.S. PATENT DOCUMENTS

4,523,870 A 6/1985 Spector
 4,664,312 A 5/1987 Bryson
 4,808,347 A * 2/1989 Dawn 261/30
 4,878,615 A 11/1989 Losi
 4,940,272 A 7/1990 Weick
 4,968,456 A 11/1990 Muderlak et al.
 5,004,138 A * 4/1991 Gabas 224/312
 5,148,984 A 9/1992 Bryson, Jr. et al.
 D332,138 S * 12/1992 Lonker et al. D23/366
 5,361,522 A 11/1994 Green
 5,370,829 A 12/1994 Kunze
 5,478,505 A 12/1995 McElfresh et al.
 5,527,493 A 6/1996 McElfresh et al.
 D375,350 S 11/1996 Patel et al.
 5,695,692 A 12/1997 Kennedy
 5,735,460 A * 4/1998 Eisenbraun 239/34
 5,868,315 A 2/1999 Chen
 5,932,147 A 8/1999 Chen
 6,029,901 A 2/2000 Toy, II
 6,080,367 A 6/2000 Lin
 6,244,518 B1 6/2001 Pogue
 6,254,248 B1 7/2001 McAuley et al.
 6,386,971 B1 * 5/2002 Johnson 454/328
 D459,459 S * 6/2002 Yamada et al. D23/366
 6,502,762 B2 1/2003 Tuttobene, Jr.
 6,607,434 B1 8/2003 Park
 6,631,852 B1 10/2003 O'Leary
 D484,583 S * 12/2003 Hunt et al. D23/360
 6,655,604 B2 12/2003 Tuttobene, Jr.
 6,746,521 B2 6/2004 Canfield
 6,767,521 B1 7/2004 Vogt et al.
 D508,285 S * 8/2005 Velicescu D23/366
 D509,578 S * 9/2005 Yao D23/364
 7,036,800 B2 5/2006 Ellis
 D522,640 S * 6/2006 Miro D23/366
 7,070,172 B2 7/2006 Fabrega et al.
 7,188,780 B2 * 3/2007 Martens, III 239/35
 7,213,770 B2 * 5/2007 Martens et al. 239/57
 D544,953 S * 6/2007 Kee D23/368
 D550,345 S 9/2007 Weggelaar
 D555,778 S 11/2007 Fellows et al.
 D565,164 S 3/2008 Duston et al.
 D570,980 S * 6/2008 Isono et al. D23/366
 D582,535 S 12/2008 Nickel et al.
 D583,037 S 12/2008 Kenny

D585,129 S 1/2009 Huang
 D585,537 S 1/2009 Weggelaar
 D588,688 S 3/2009 Lablaine
 D591,415 S 4/2009 Wu
 D596,281 S * 7/2009 Schwartz et al. D23/366
 D609,322 S * 2/2010 Schwartz et al. D23/366
 D614,278 S * 4/2010 Schwartz et al. D23/366
 D630,719 S 1/2011 Wu
 D631,146 S * 1/2011 Shu et al. D23/366
 D631,954 S * 2/2011 Bertassi et al. D23/366
 D633,610 S 3/2011 Wu
 D636,482 S 4/2011 LeMay et al.
 D638,531 S * 5/2011 Irwin et al. D23/366
 D642,254 S * 7/2011 Mazzeo et al.
 D642,667 S * 8/2011 Irwin et al. D23/366
 D642,668 S 8/2011 Lablaine
 D646,769 S * 10/2011 Angel et al. D23/366
 D647,186 S 10/2011 Chan et al.
 D650,891 S * 12/2011 Freeborn et al. D23/366
 8,096,486 B2 1/2012 Wang et al.
 D658,753 S 5/2012 Zhang et al.
 D662,582 S * 6/2012 Olchovy et al. D23/366
 D666,284 S * 8/2012 Robinson et al. D23/368
 D670,370 S * 11/2012 Olchovy et al. D23/366
 D675,307 S * 1/2013 Freeborn et al. D23/366
 D683,008 S * 5/2013 Olchovy et al. D23/366
 D692,549 S * 10/2013 Wirz D23/366
 2003/0038133 A1 2/2003 Liu
 2004/0175312 A1 9/2004 Linden-Douw
 2005/0089502 A1 4/2005 Schansberg et al.
 2007/0051826 A1 3/2007 Schofield
 2008/0023568 A1 1/2008 Weggelaar et al.
 2008/0095522 A1 4/2008 Deflorian et al.
 2008/0257978 A1 10/2008 Marth et al.
 2009/0010813 A1 1/2009 Wang et al.
 2009/0302128 A1 12/2009 Zobebe
 2010/0187327 A1 7/2010 Irvin
 2011/0114663 A1 5/2011 Brown et al.

FOREIGN PATENT DOCUMENTS

EM 001215073-0001 9/2011
 EP 1698355 B1 11/2010
 WO 0170284 A1 9/2001
 WO 2003074096 A1 9/2003
 WO 2006061803 A1 6/2006
 WO 2011140917 A1 11/2011

* cited by examiner

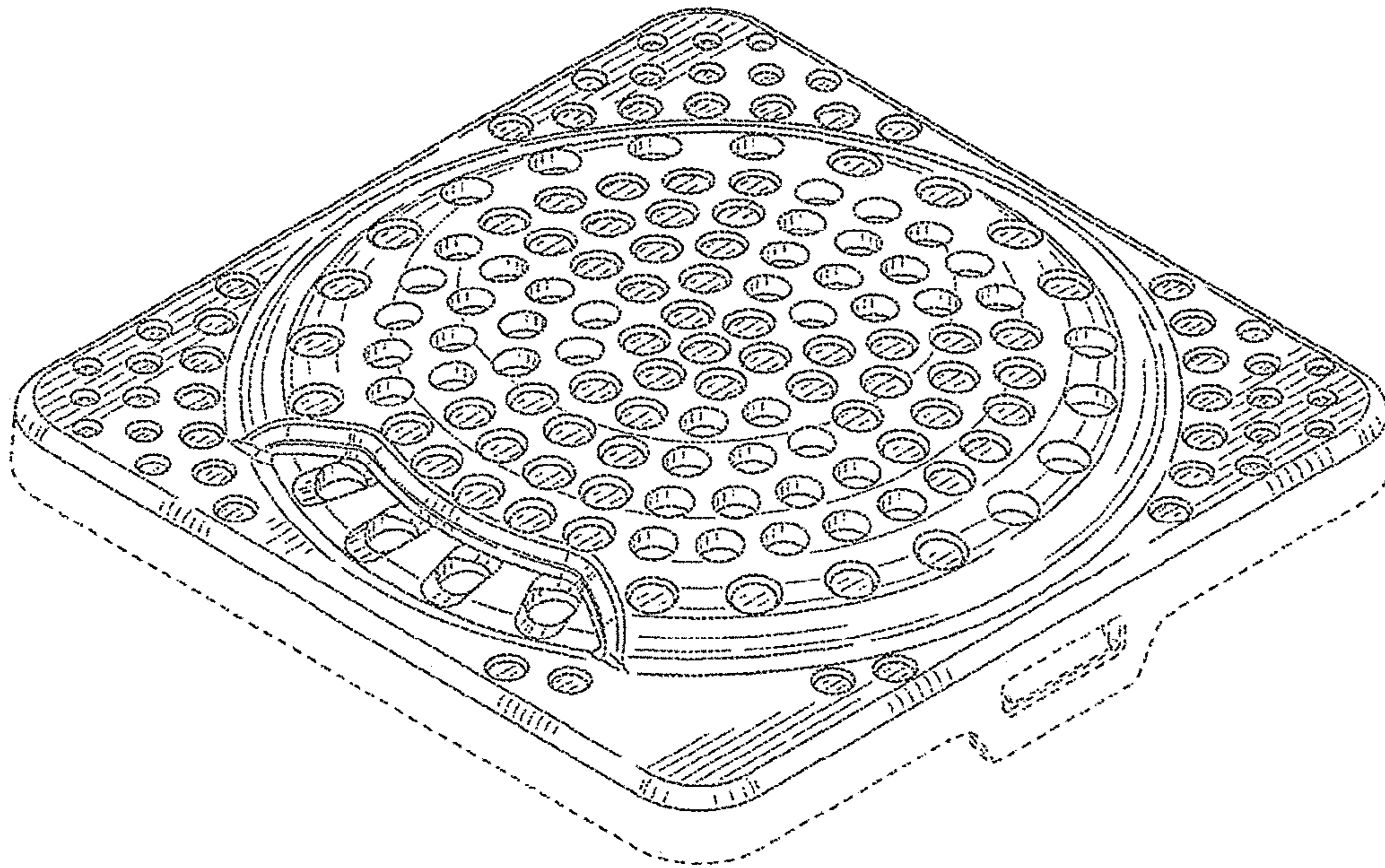


FIG. 1

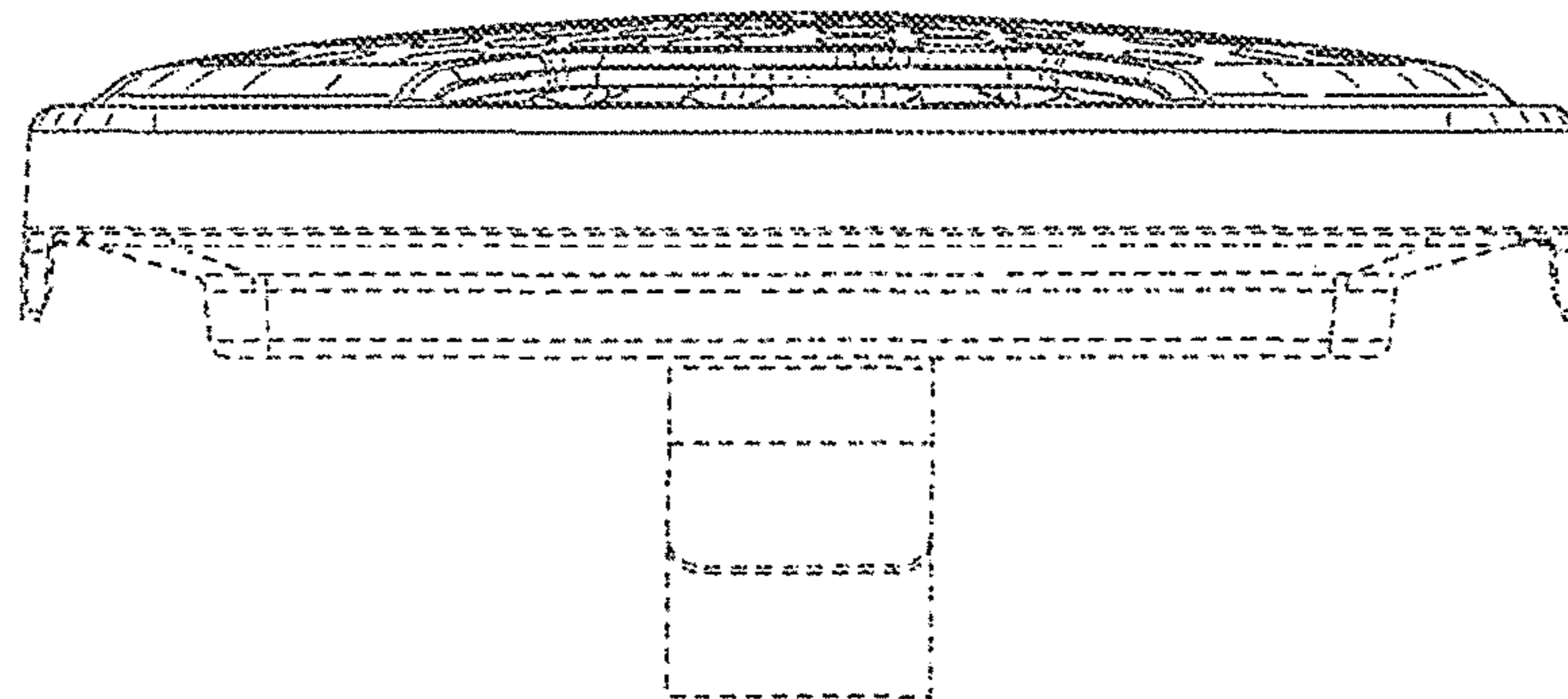


FIG. 2

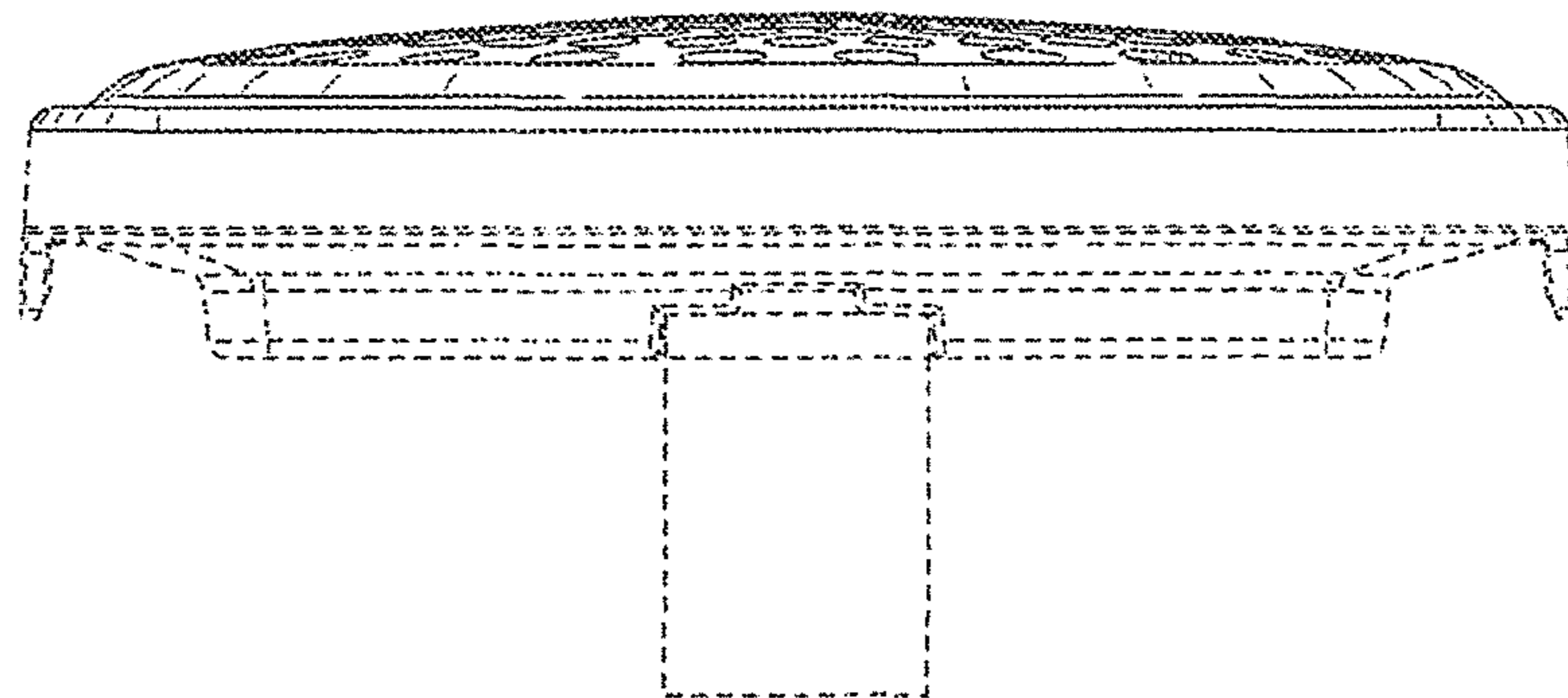


FIG. 3

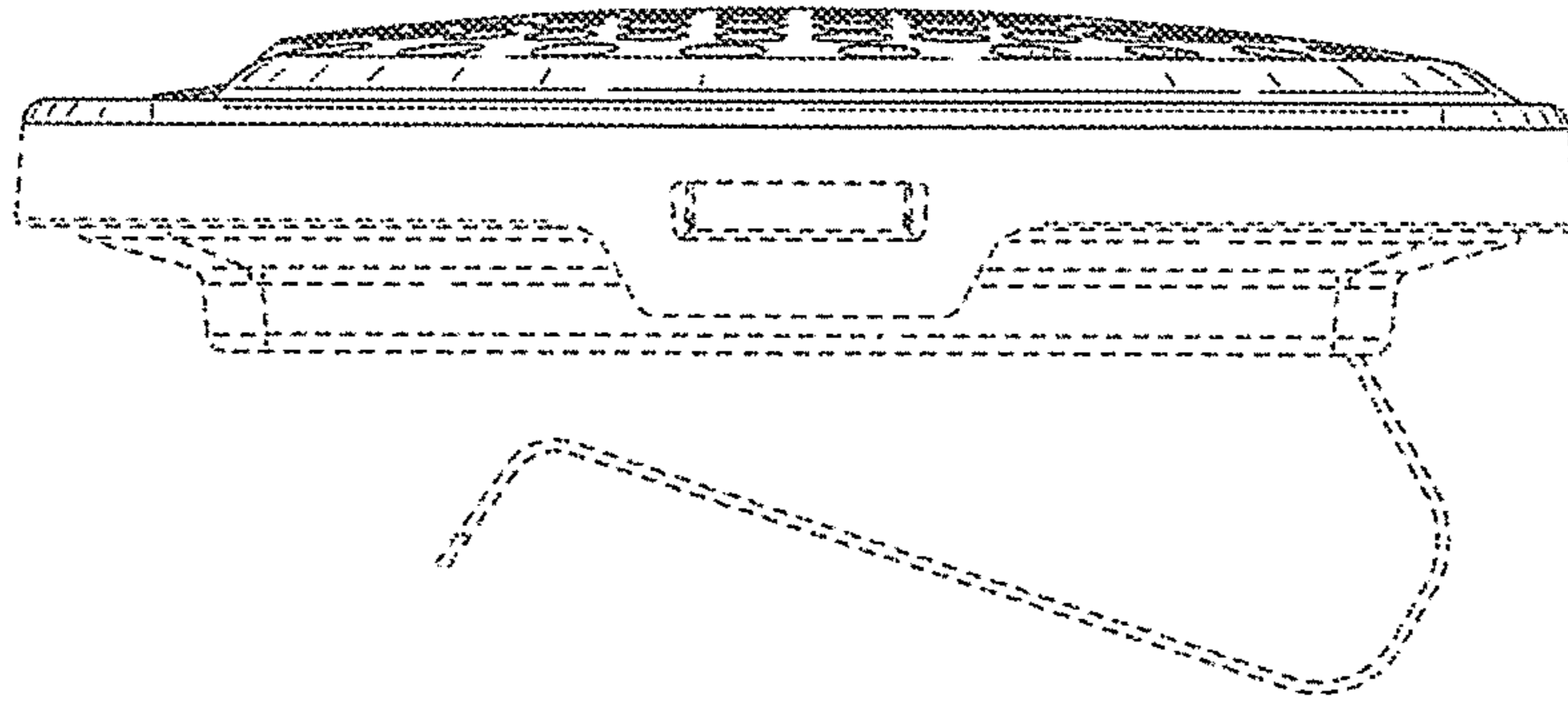


FIG. 4

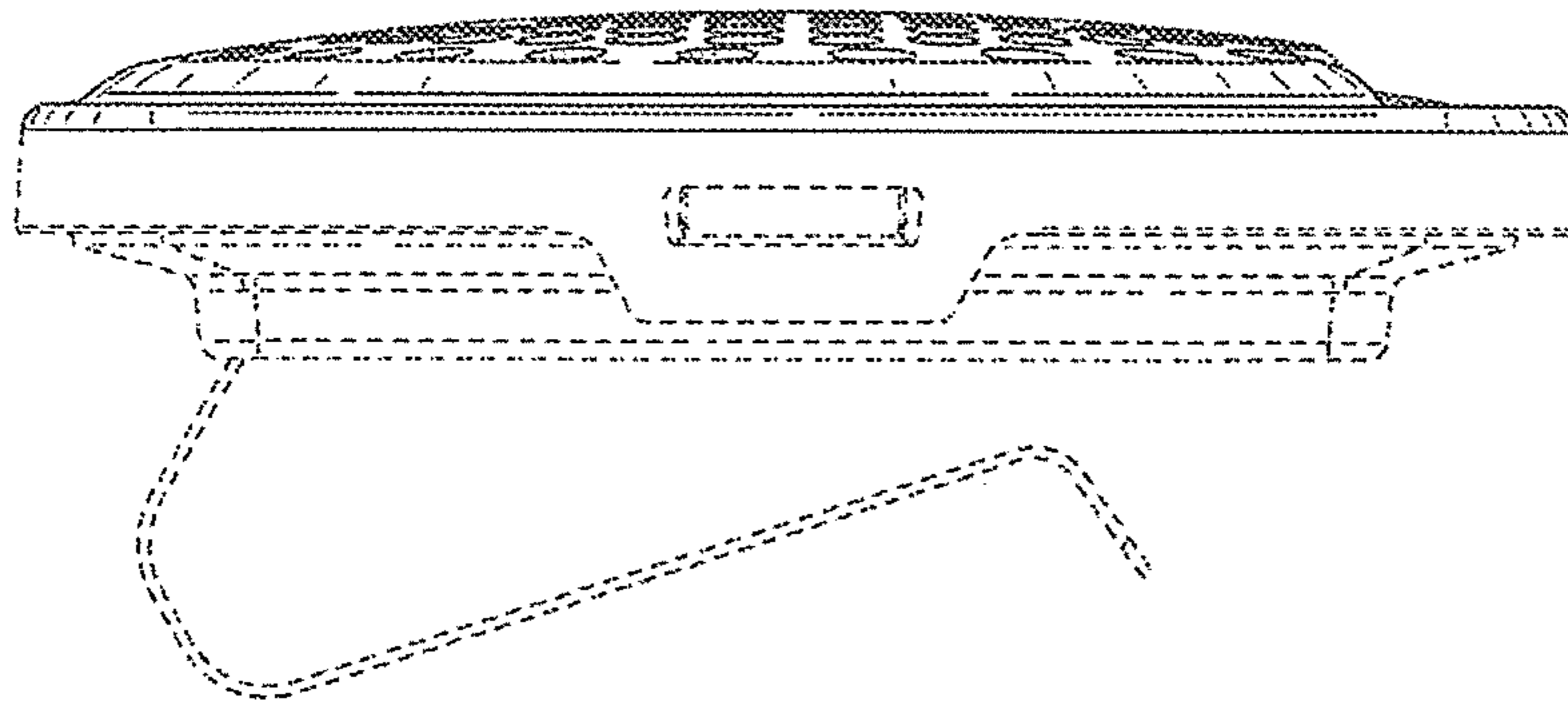


FIG. 5

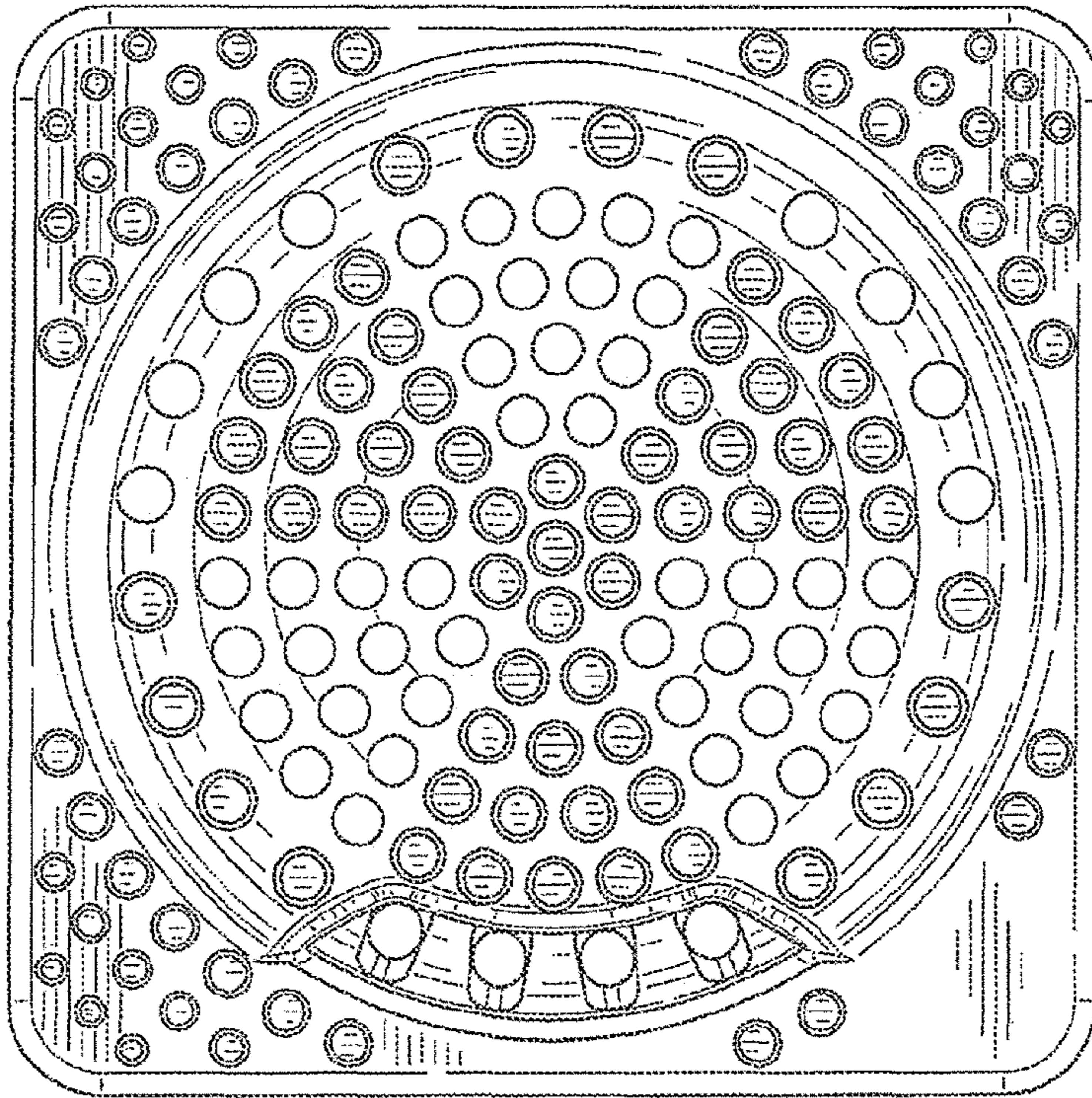


FIG. 6

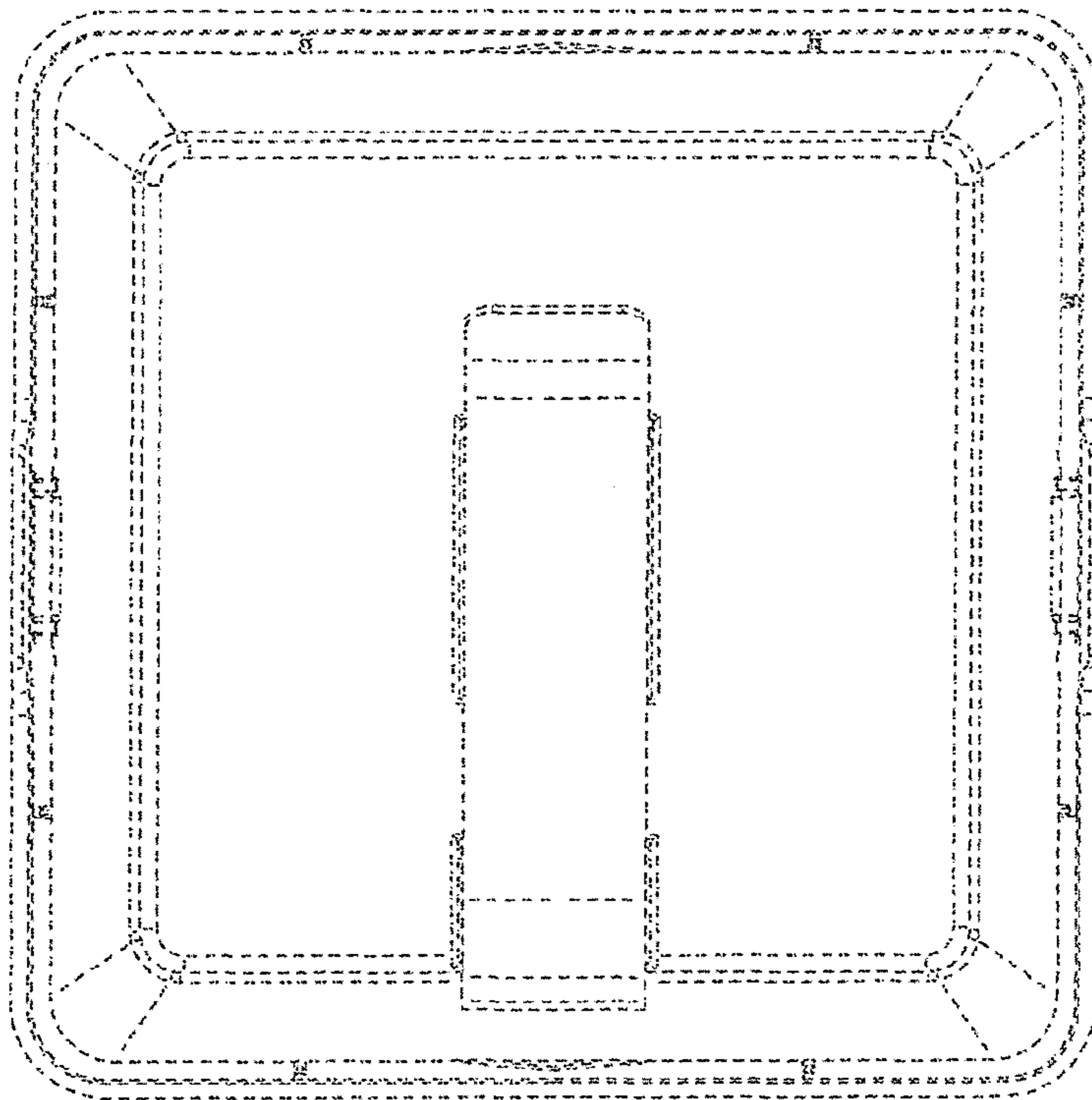


FIG. 7