



US00D713946S

(12) **United States Design Patent**  
**Kahle et al.**

(10) **Patent No.:** **US D713,946 S**  
(45) **Date of Patent:** **\*\* Sep. 23, 2014**

- (54) **SINK**
- (71) Applicant: **Acorn Engineering Company**, City of Industry, CA (US)
- (72) Inventors: **Kristin Kahle**, Laguna Niguel, CA (US); **David Young**, Rancho Cucamonga, CA (US)
- (73) Assignee: **Acorn Engineering Company**, City of Industry, CA (US)

D403,057	S	*	12/1998	Van Marcke	.....	D23/292
6,016,578	A		1/2000	Malouf		
D426,623	S		6/2000	Svendsen		
D497,662	S		10/2004	Gross et al.		
6,938,283	B1		9/2005	Martinez		
D530,407	S		10/2006	McDowell		
D652,901	S		1/2012	Didehvar et al.		
D654,992	S		2/2012	Bucher		
D681,177	S		4/2013	Young et al.		

(\*\*) Term: **14 Years**

\* cited by examiner  
*Primary Examiner* — Robert Delehanty  
(74) *Attorney, Agent, or Firm* — William S. Ramsey

(21) Appl. No.: **29/463,313**

(57) **CLAIM**  
The ornamental design for a sink, as shown and described.

(22) Filed: **Oct. 9, 2013**

(51) **LOC (10) Cl.** ..... **23-02**

(52) **U.S. Cl.**  
USPC ..... **D23/289**

(58) **Field of Classification Search**  
USPC ..... D23/289, 308, 284, 293.1; 4/519, 619, 4/515

See application file for complete search history.

**DESCRIPTION**

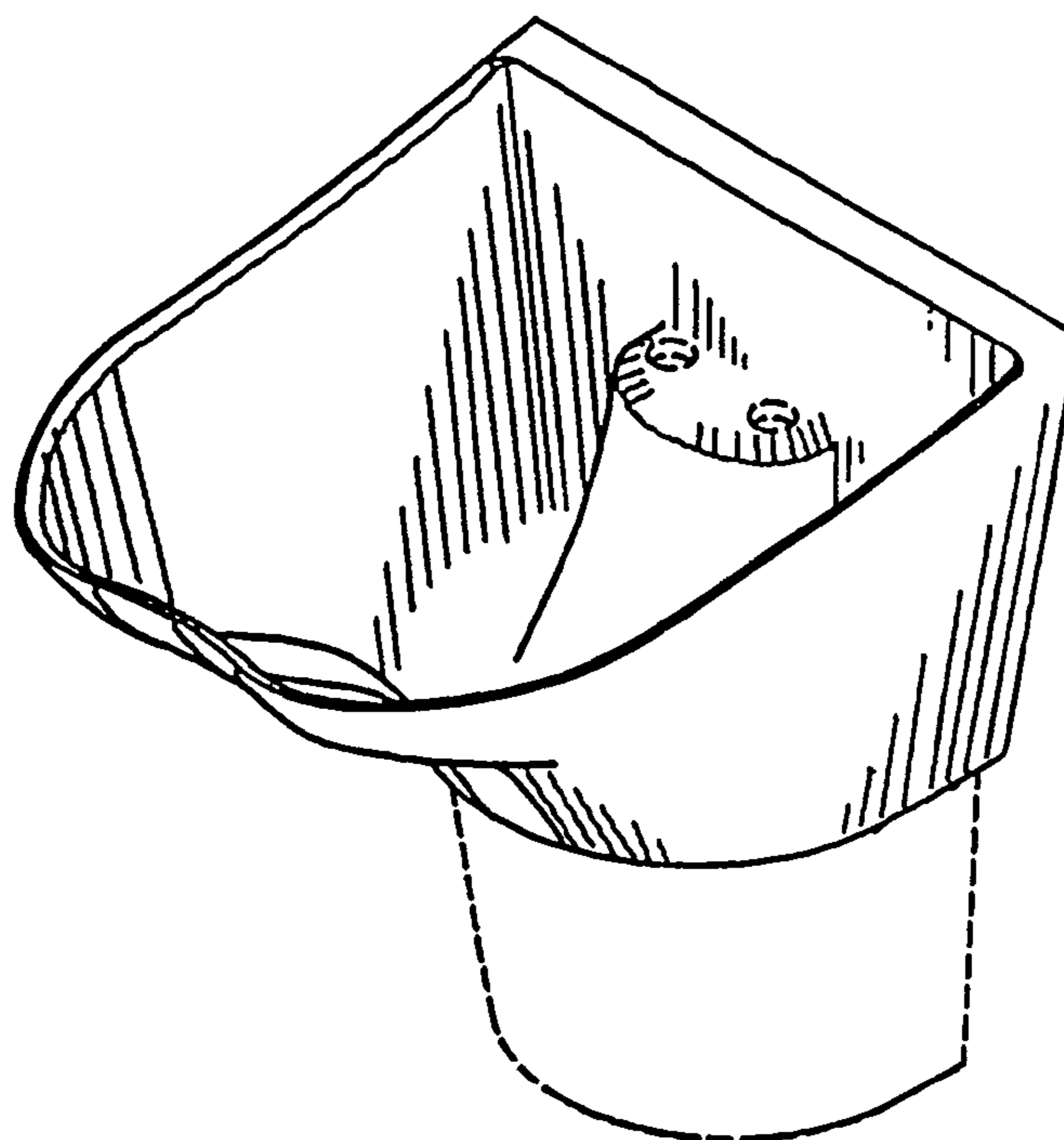
FIG. 1 is a perspective view of a sink showing my new design; FIG. 2 is a front elevational view thereof; FIG. 3 is a cross-sectional view thereof taken at line B-B of FIG. 2; FIG. 4 is a right side elevational view thereof; FIG. 5 is a left side elevational view thereof; FIG. 6 is a back elevational view thereof; FIG. 7 is a bottom plan view thereof; FIG. 8 is a top plan view thereof; and, FIG. 9 is a cross-sectional view thereof taken at line B-B of FIG. 8.  
The base and holes for fixtures are shown in broken lines for illustrative purposes only and forms no part of the claimed design.

(56) **References Cited**

U.S. PATENT DOCUMENTS

D216,015	S	11/1969	Fidel		
D224,222	S	* 7/1972	Collins	.....	D23/284
D238,075	S	12/1975	Harris		
D272,263	S	1/1984	Lienhard		
D326,141	S	* 5/1992	Evatt et al.	.....	D23/293.1
D332,828	S	1/1993	Schaerrew		
5,253,376	A	10/1993	Fait		
D399,933	S	10/1998	Thomas		

**1 Claim, 5 Drawing Sheets**



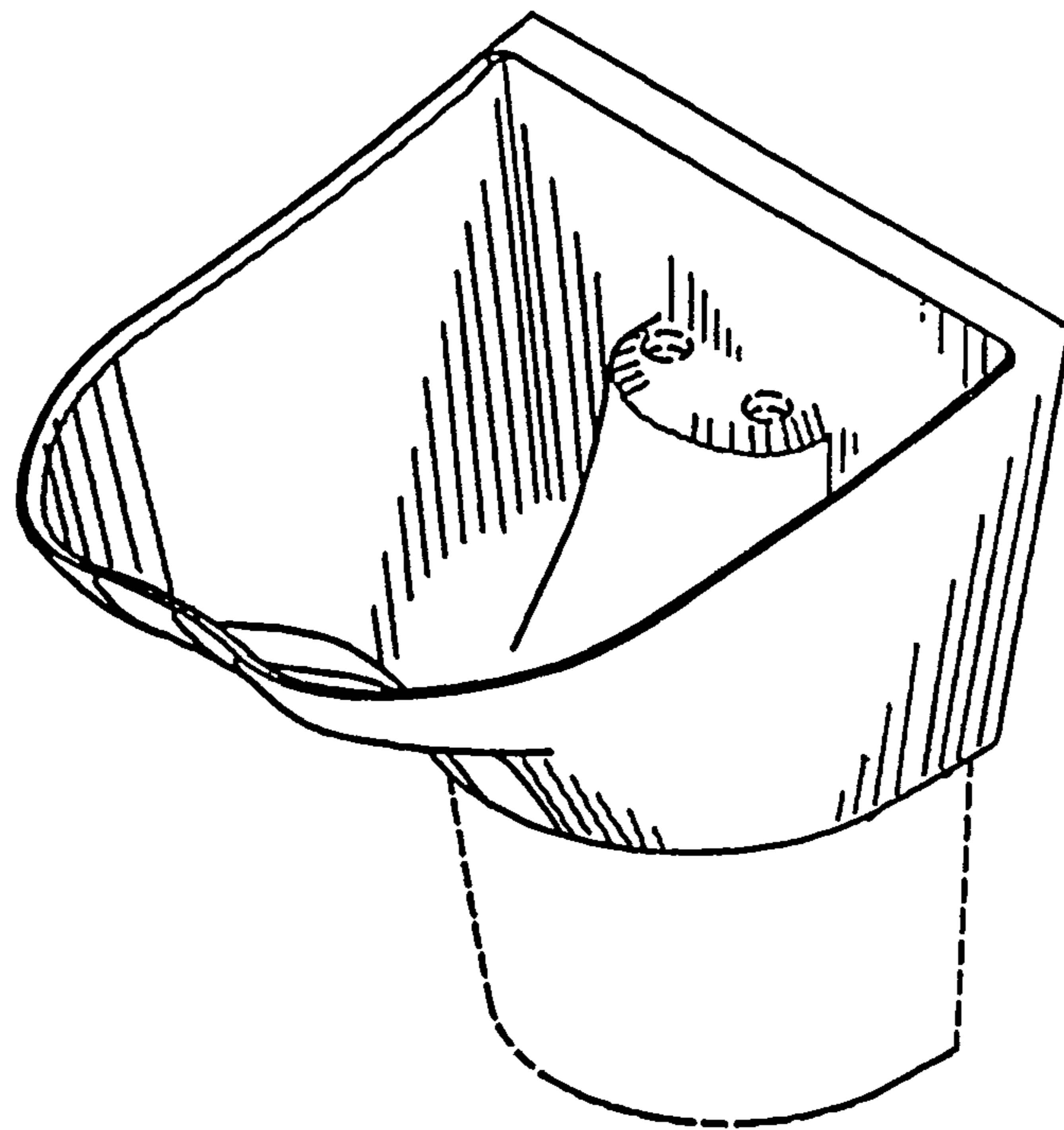


FIG. 1

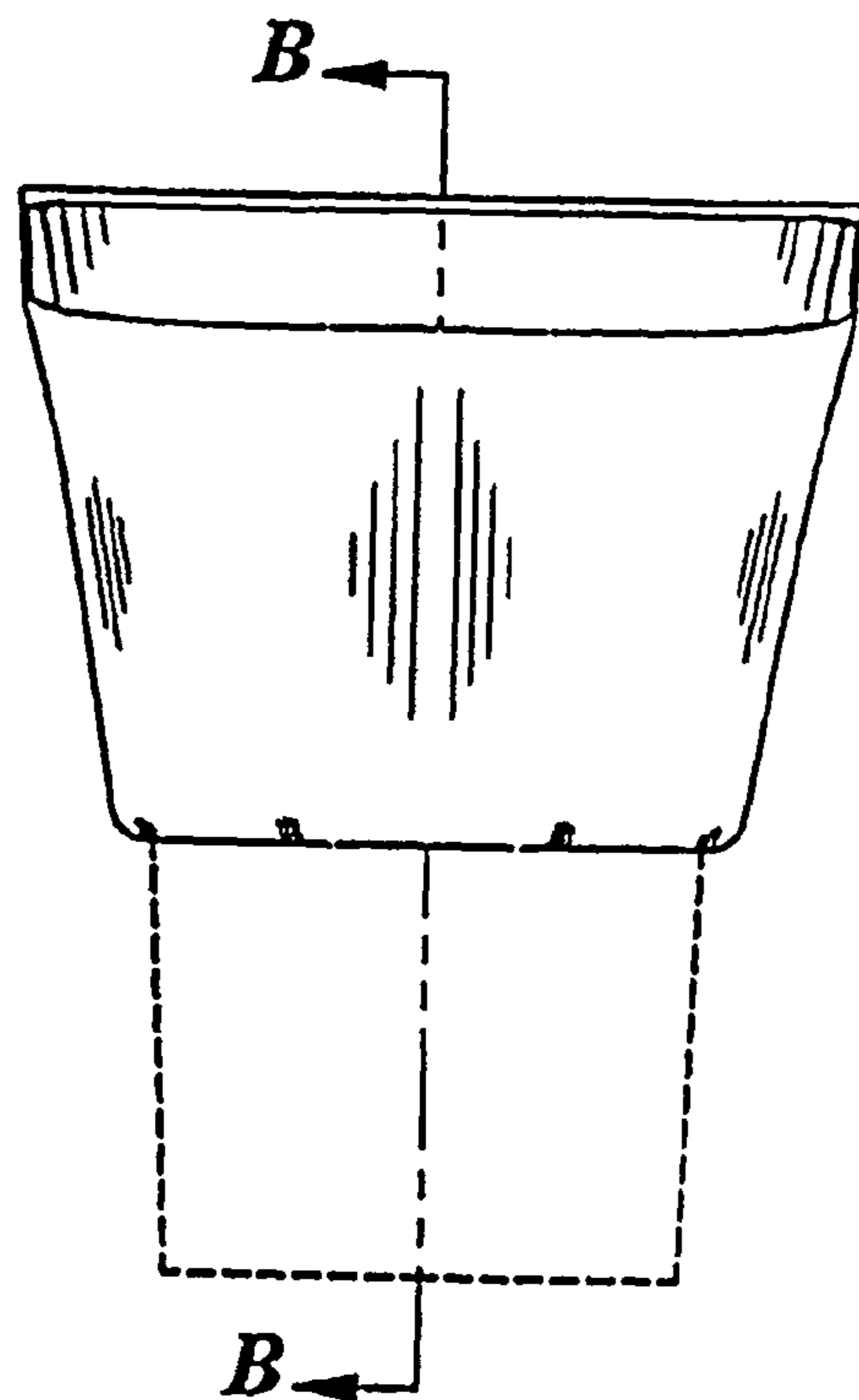


FIG. 2

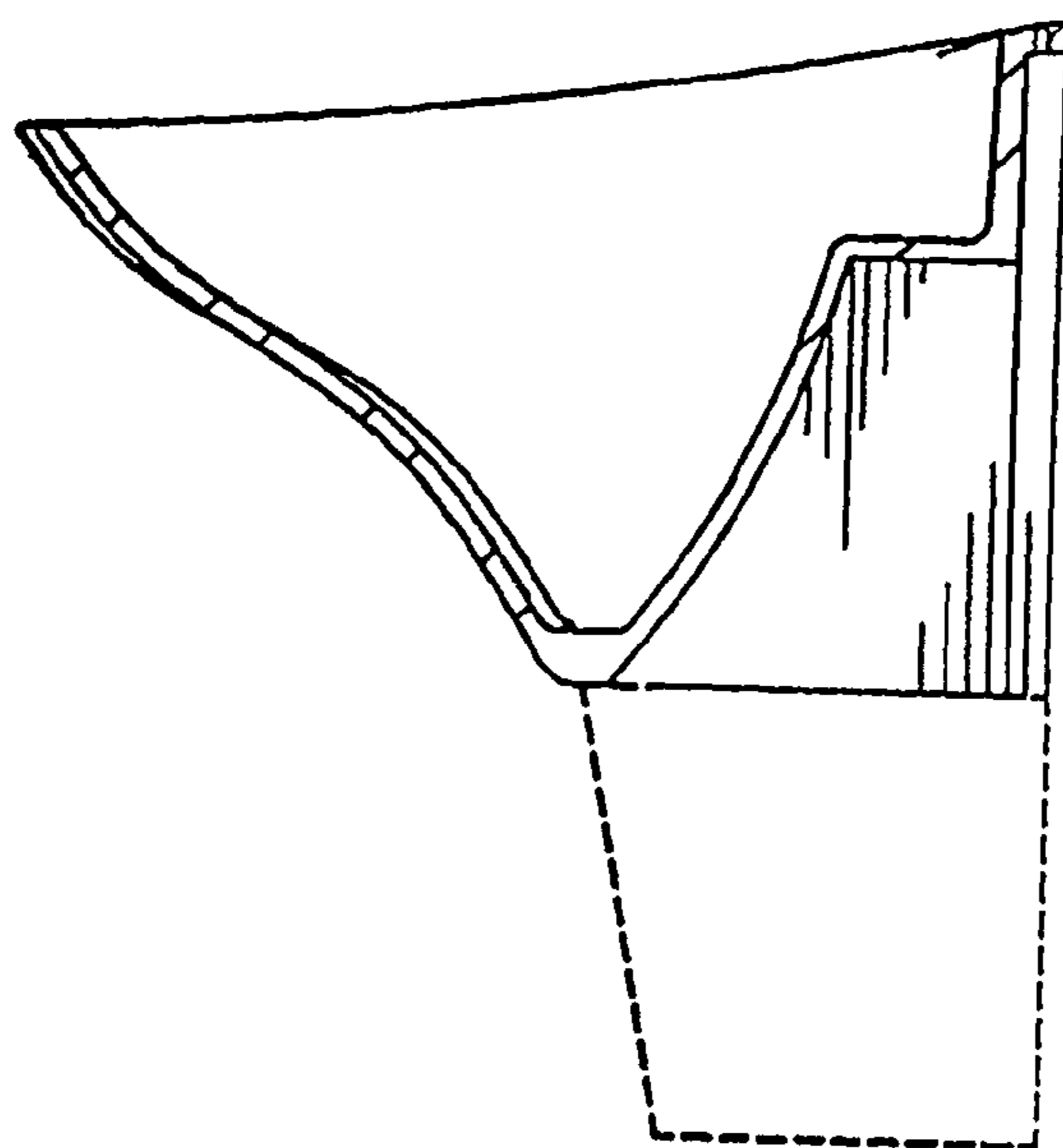


FIG. 3

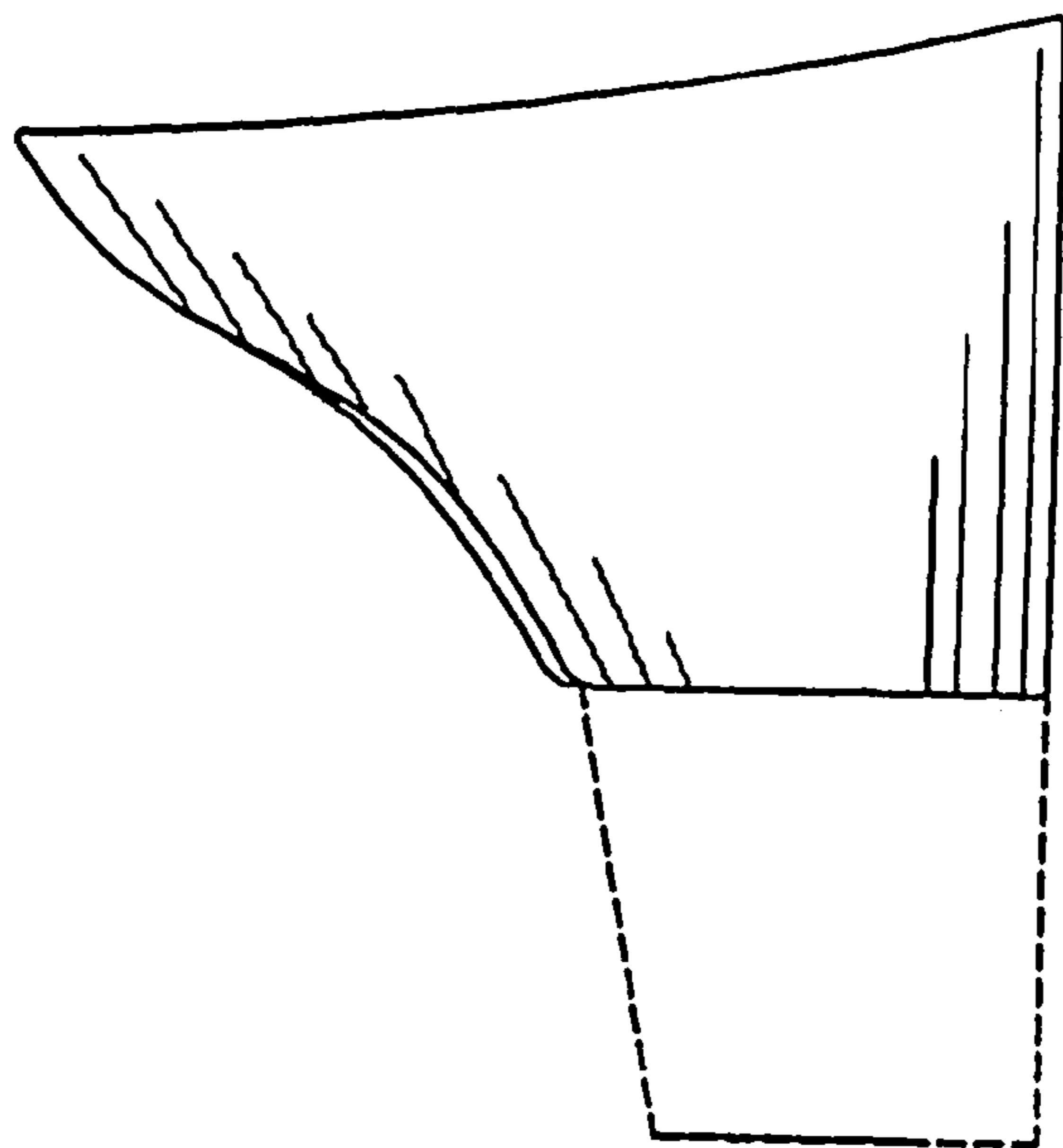


FIG. 4

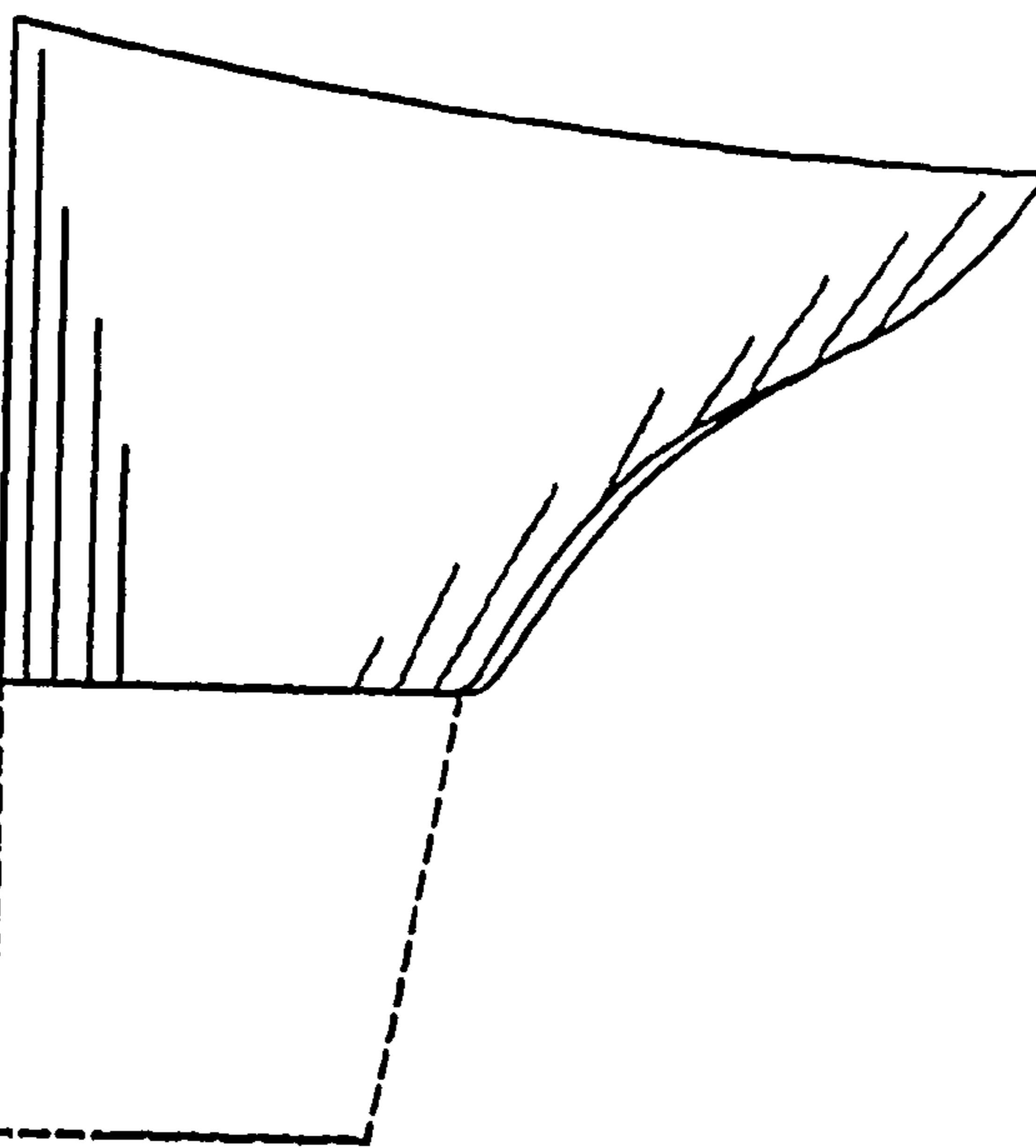


FIG. 5

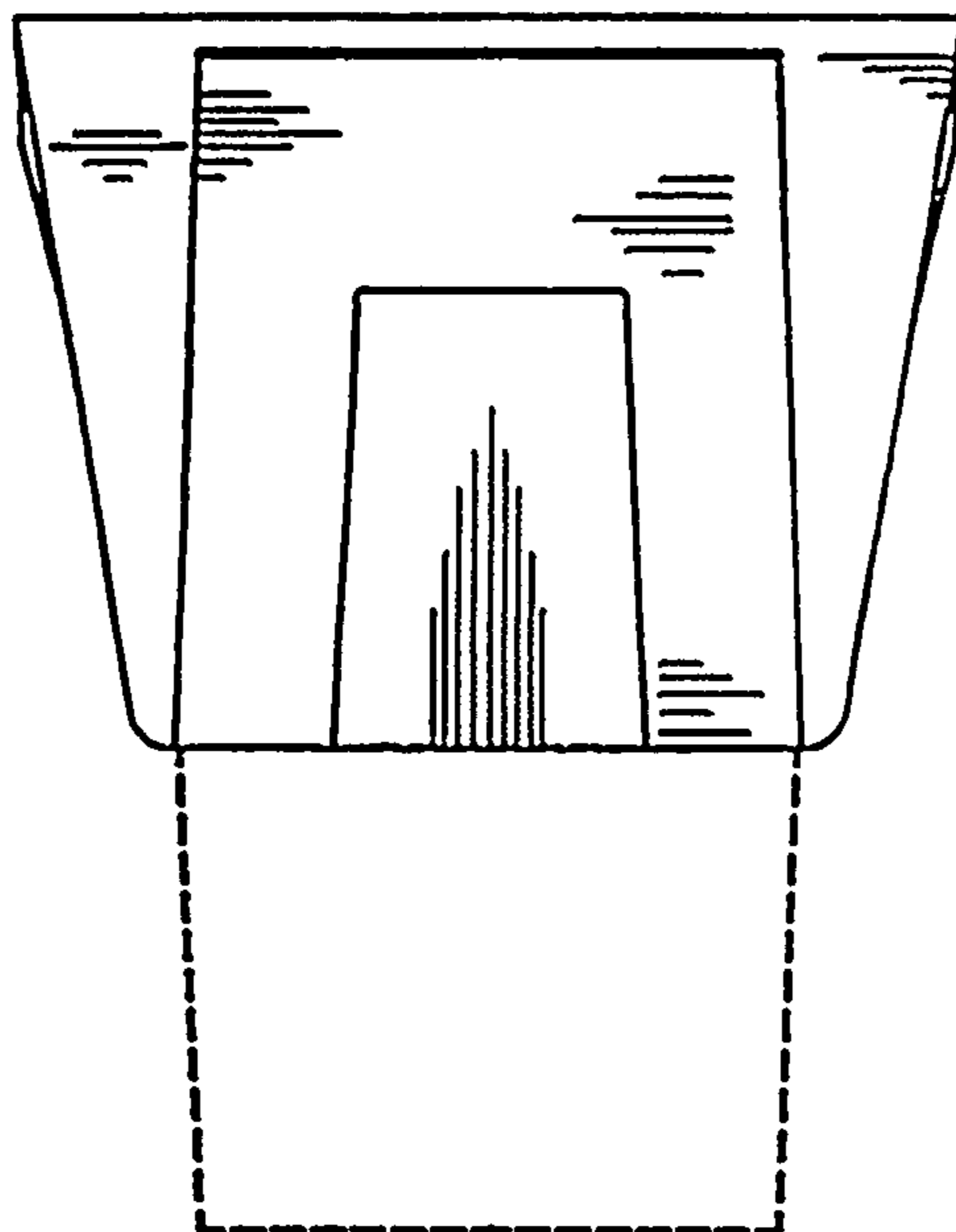


FIG. 6

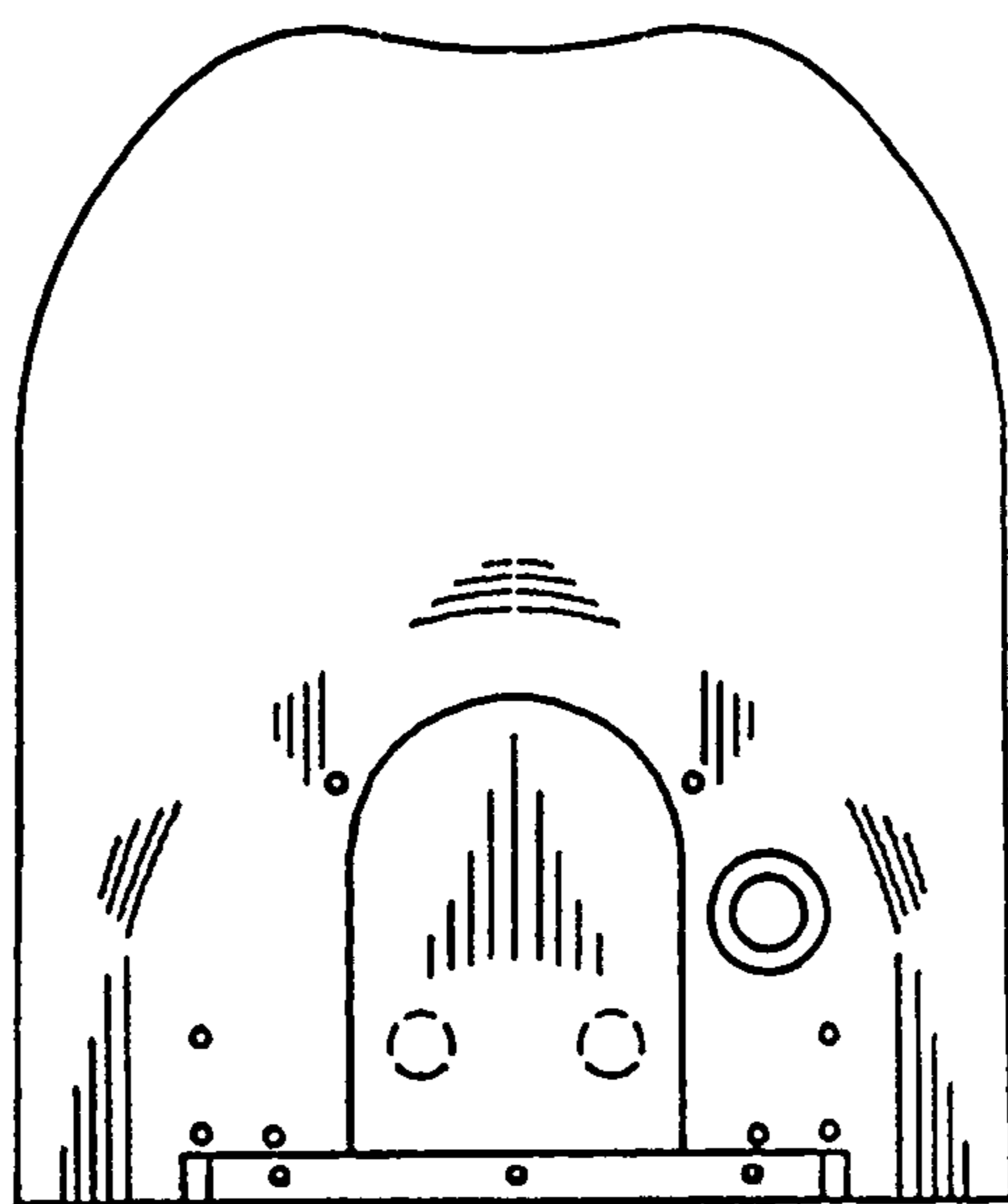


FIG. 7

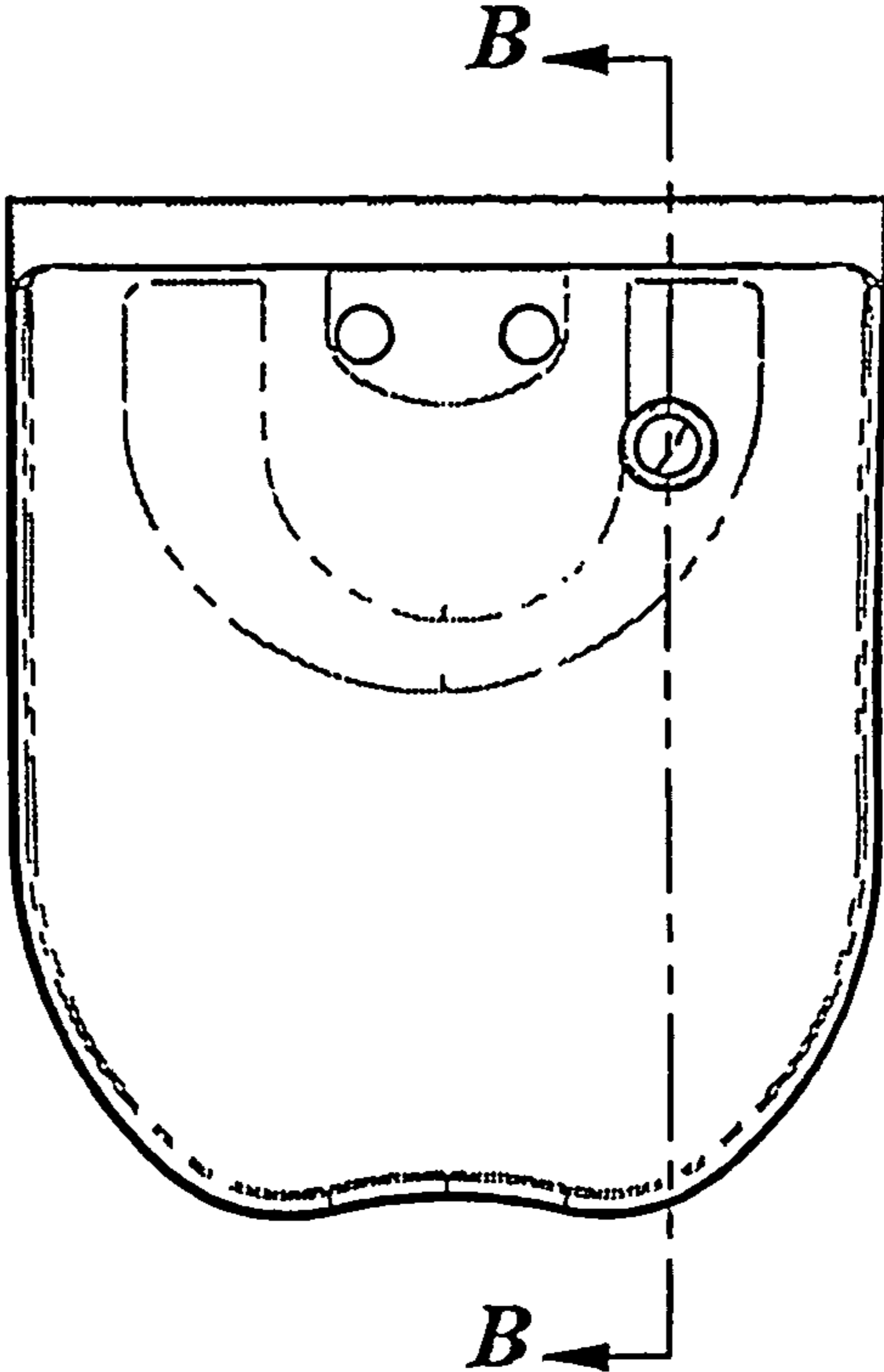


FIG. 8

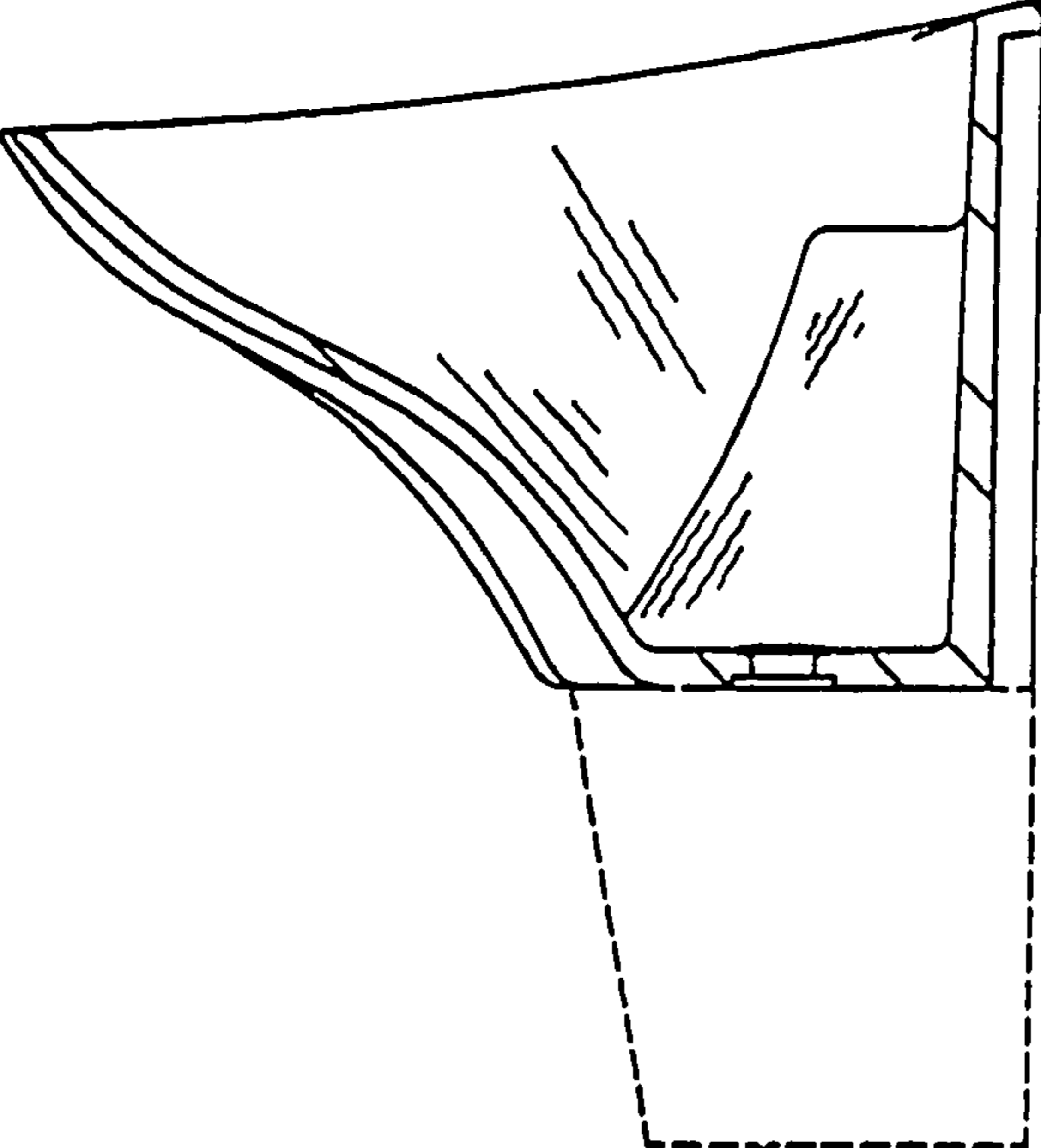


FIG. 9