



US00D713945S

(12) **United States Design Patent**  
**Otten**

(10) **Patent No.:** **US D713,945 S**

(45) **Date of Patent:** **\*\* Sep. 23, 2014**

(54) **HAND WASHER**

D661,788 S \* 6/2012 Otten ..... D23/308  
8,490,291 B2 \* 7/2013 Churchill et al. .... 34/90  
2005/0081291 A1 4/2005 Otten

(76) Inventor: **Andries Otten**, Bath (GB)

(\*\*) Term: **14 Years**

FOREIGN PATENT DOCUMENTS

(21) Appl. No.: **29/431,446**

DE 4110853 A1 10/1992  
FR 2885507 11/2006  
WO 0018284 4/2000

(22) Filed: **Sep. 7, 2012**

OTHER PUBLICATIONS

(30) **Foreign Application Priority Data**

Search Report for GB Application No. GB1201492.4, dated May 29, 2012 (3 pgs.).

Mar. 7, 2012 (EP) ..... 002004374-0001  
Mar. 7, 2012 (EP) ..... 002004374-0002

\* cited by examiner

(51) **LOC (10) CL.** ..... **23-02**

*Primary Examiner* — Robert Delehanty

(52) **U.S. CL.**

(74) *Attorney, Agent, or Firm* — Shumaker & Sieffert, P.A.

USPC ..... **D23/270**

(58) **Field of Classification Search**

(57) **CLAIM**

USPC ..... D23/271, 283–293.1, 303, 308, 270;  
4/619, 661; D24/232, 234; 134/94.1,  
134/95.3; 601/136, 166; 34/90, 104

The ornamental design for the hand washer, as shown and described.

See application file for complete search history.

**DESCRIPTION**

(56) **References Cited**

FIG. 1 is a perspective view of an embodiment of the hand washer.

U.S. PATENT DOCUMENTS

FIG. 2 is a perspective view of an embodiment of the hand washer.

3,699,984 A \* 10/1972 Davis ..... 134/95.2  
3,757,806 A \* 9/1973 Bhaskar et al. .... 134/191  
3,918,117 A \* 11/1975 Plante ..... 15/88.3  
3,918,987 A \* 11/1975 Kopfer ..... 601/136  
4,398,310 A 8/1983 Lienhard  
5,241,953 A \* 9/1993 Sykes ..... 601/166  
5,688,208 A \* 11/1997 Plemmons ..... 601/166  
5,727,579 A \* 3/1998 Chardack ..... 134/95.2  
5,924,148 A \* 7/1999 Flowers, Sr. .... 4/619  
6,161,227 A \* 12/2000 Bargaquast ..... 4/622  
6,351,866 B1 \* 3/2002 Bragulla ..... 134/180  
D486,206 S 2/2004 Otten  
D508,999 S \* 8/2005 Fanning et al. .... D24/232  
7,698,770 B2 \* 4/2010 Barnhill et al. .... 4/619

FIG. 3 is a front view of an embodiment of the hand washer.

FIG. 4 is a side view of an embodiment of the hand washer.

FIG. 5 is a rear view of an embodiment of the hand washer.

FIG. 6 is a top view of an embodiment of the hand washer.

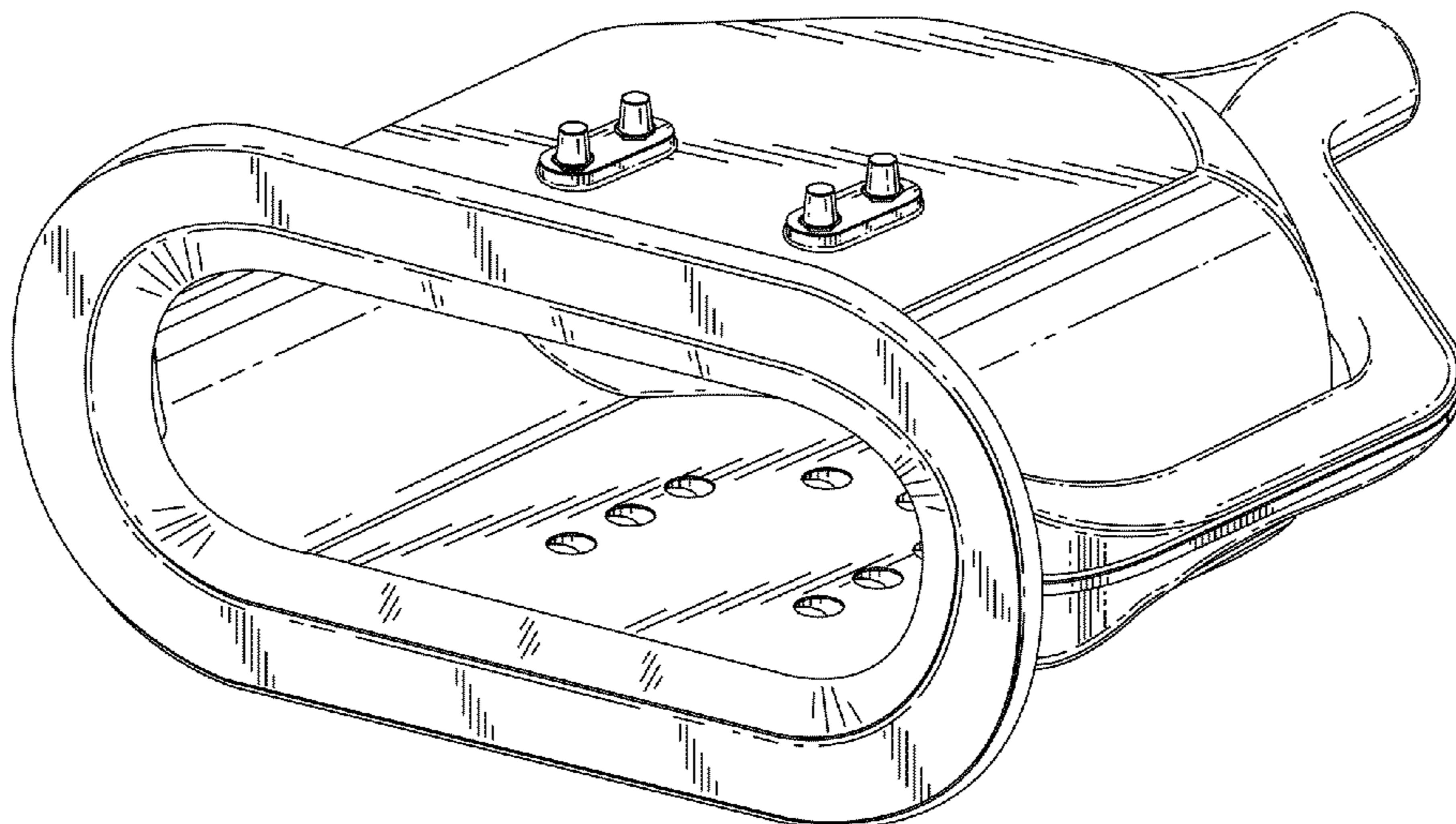
FIG. 7 is a view of a side, opposite to the side shown in FIG.

4, of an embodiment of the hand washer; and,

FIG. 8 is a bottom view of an embodiment of the hand washer.

The broken lines that define the bounds of portions of the claimed design form no part thereof.

**1 Claim, 8 Drawing Sheets**



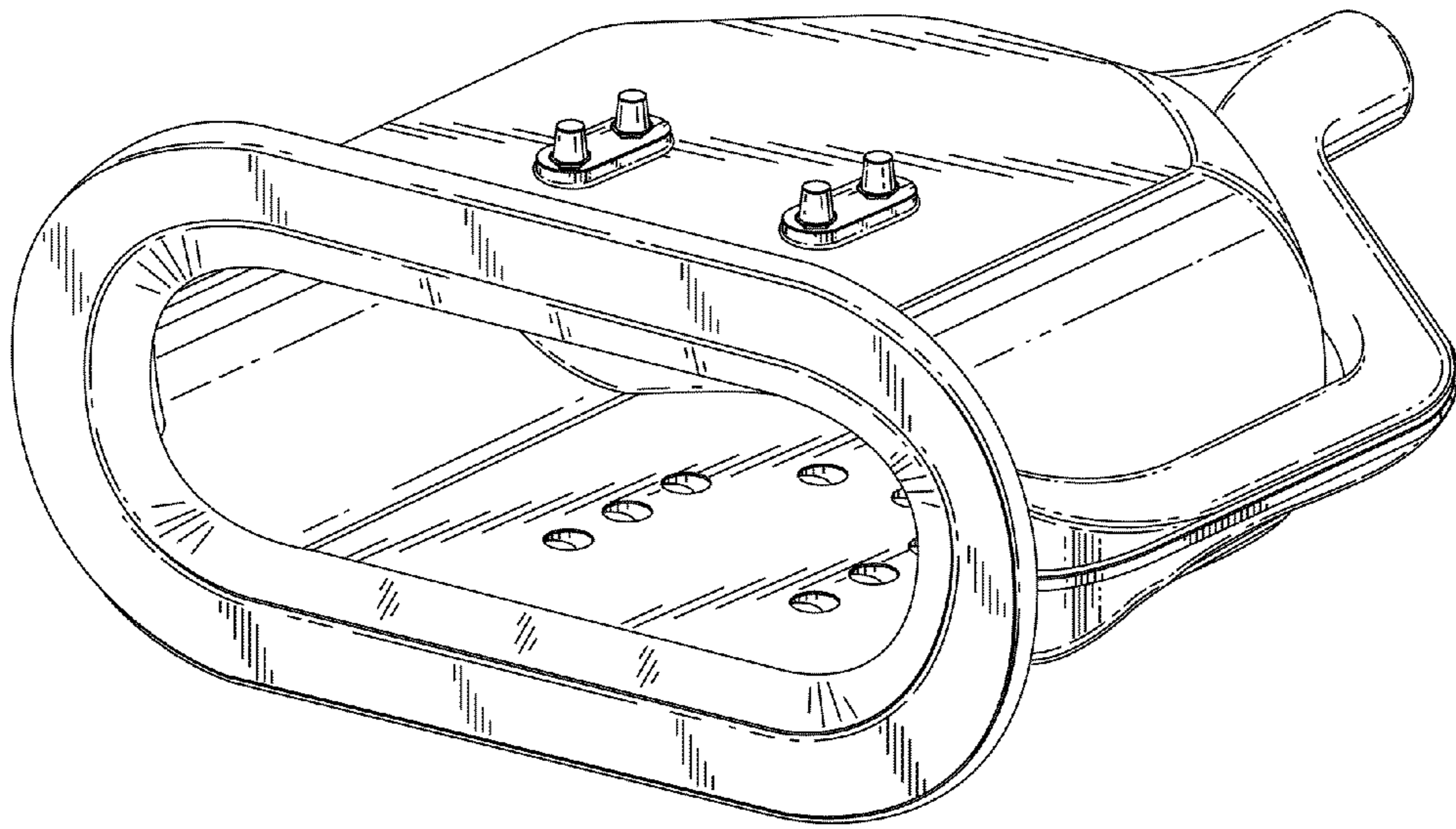


FIG. 1

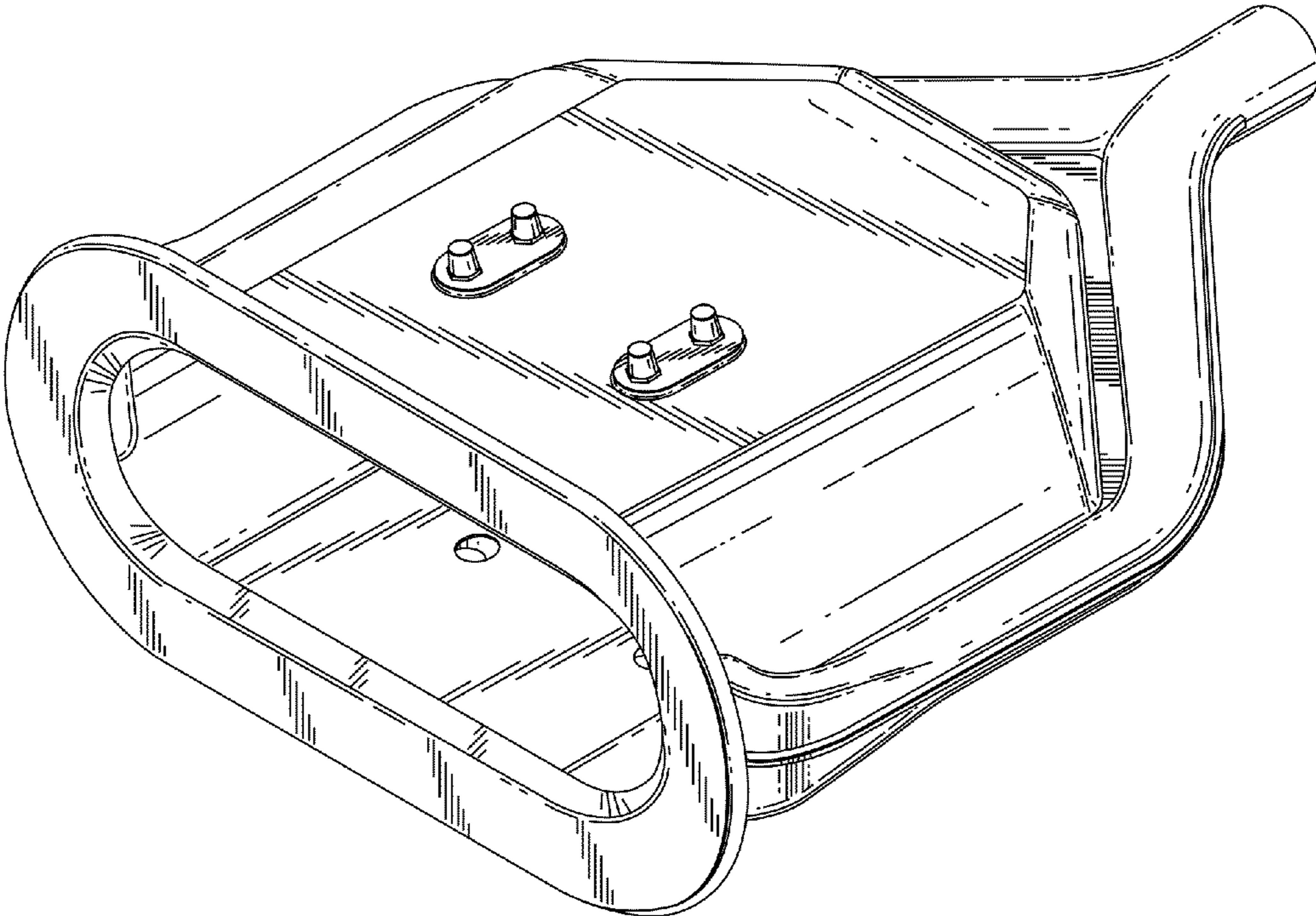
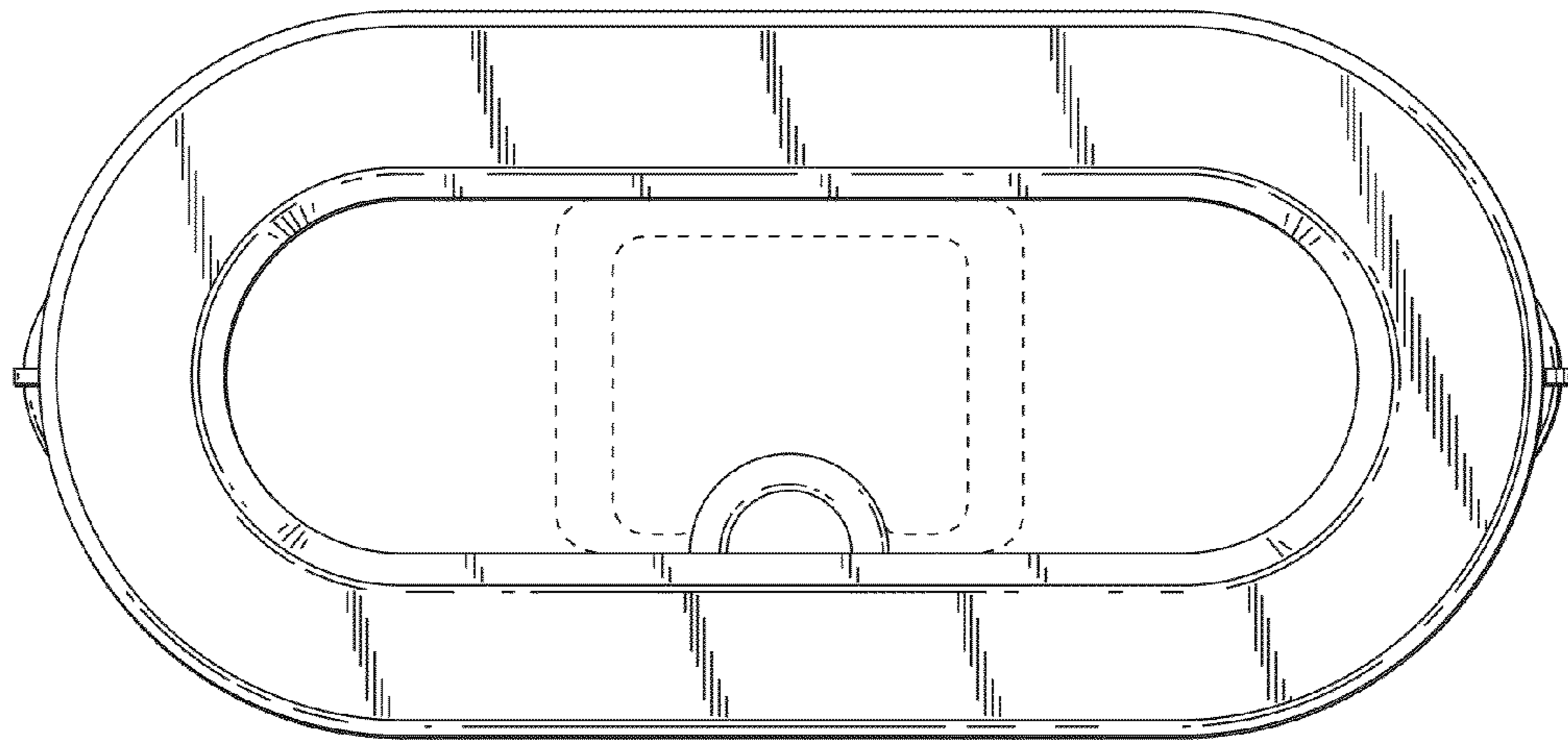


FIG. 2



**FIG. 3**

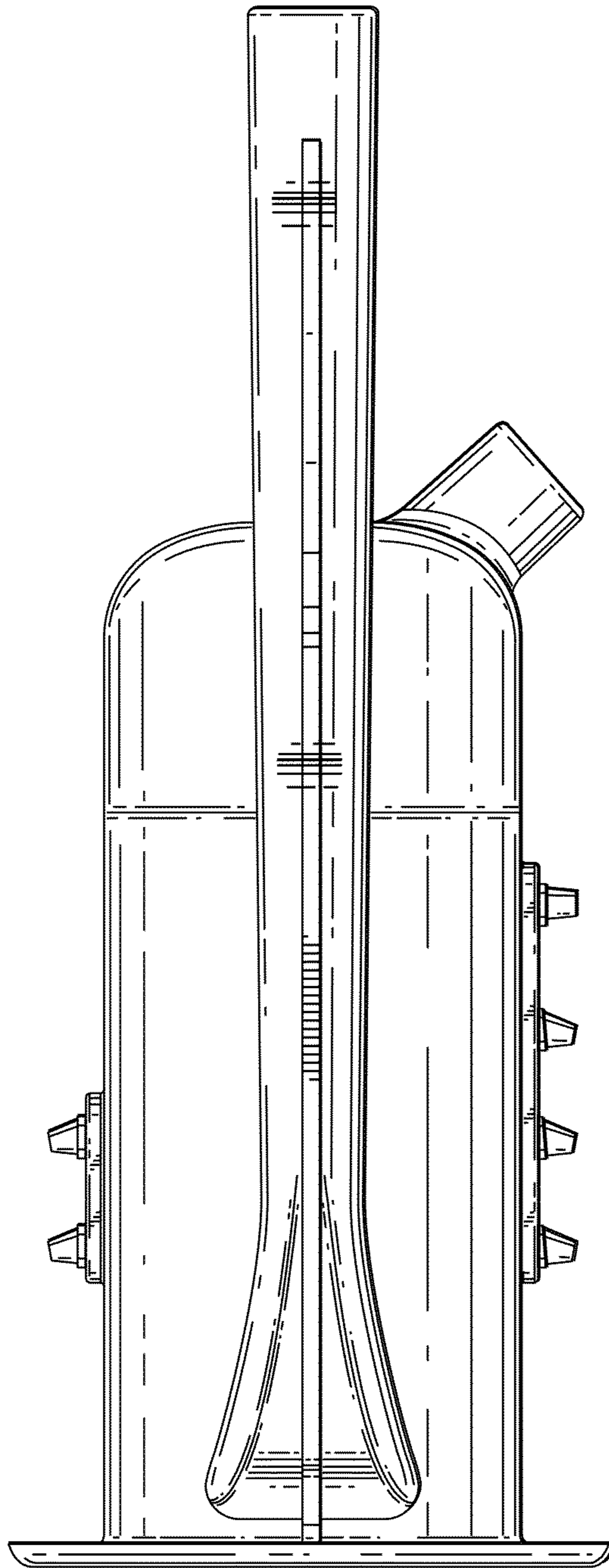
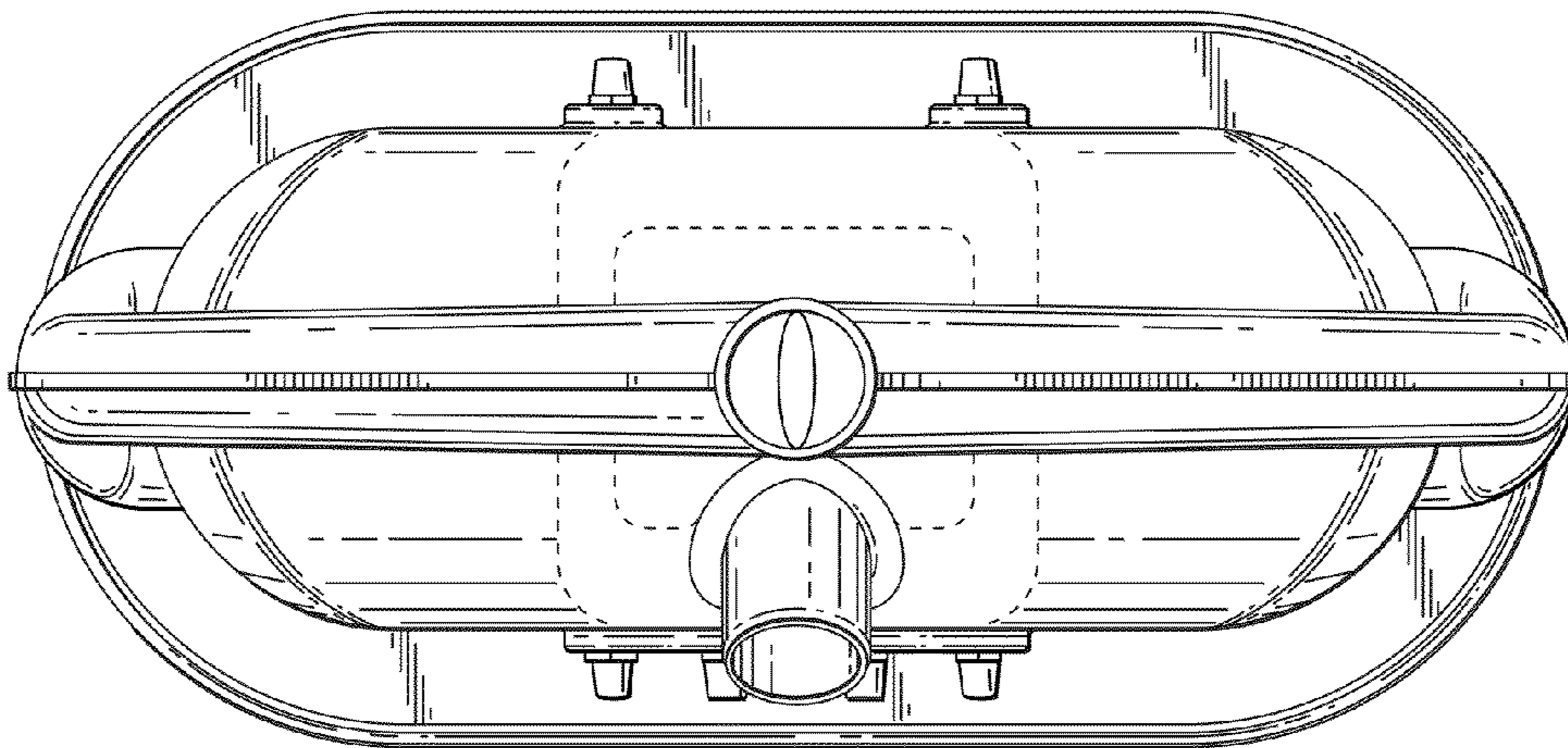


FIG. 4



**FIG. 5**

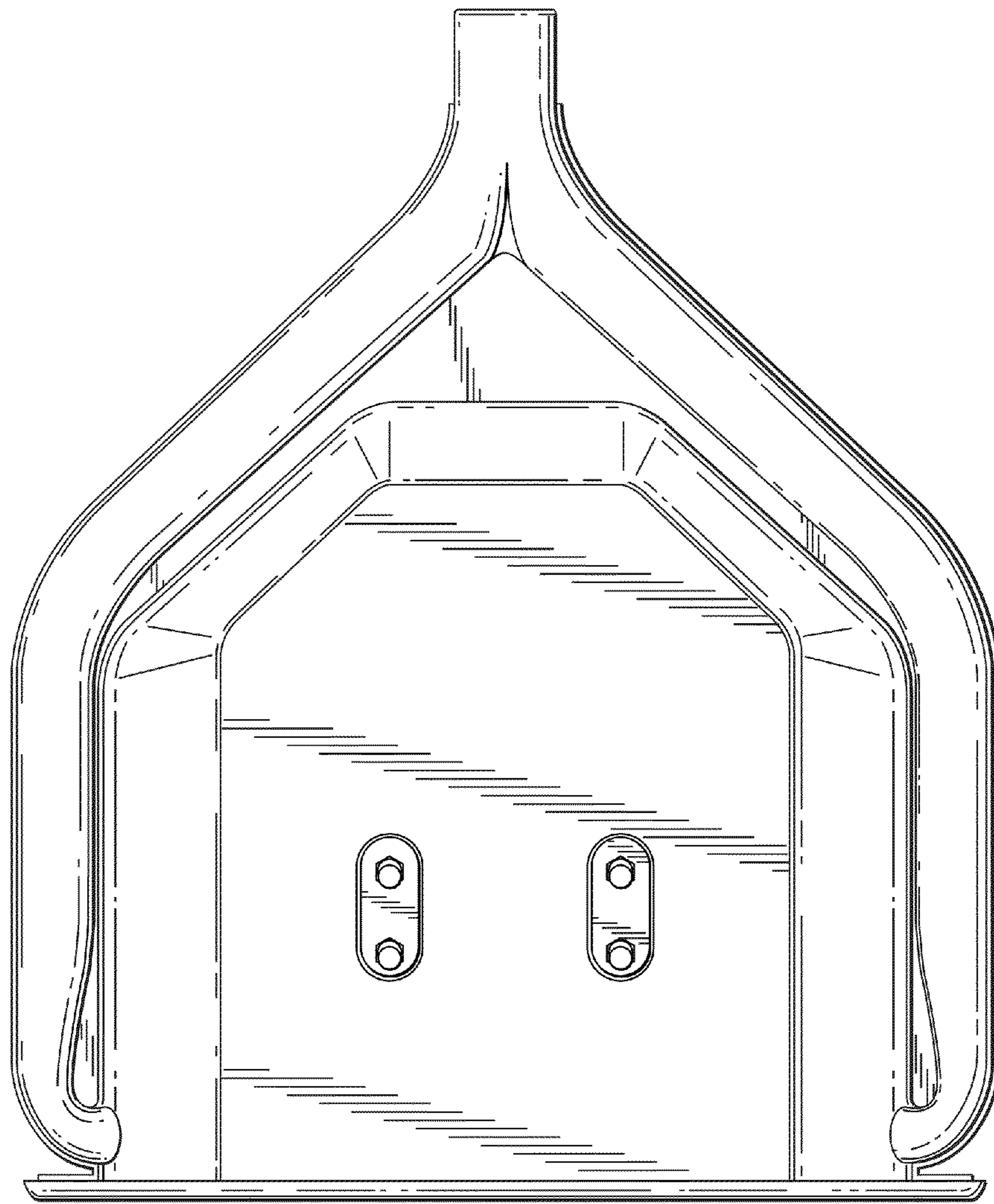


FIG. 6

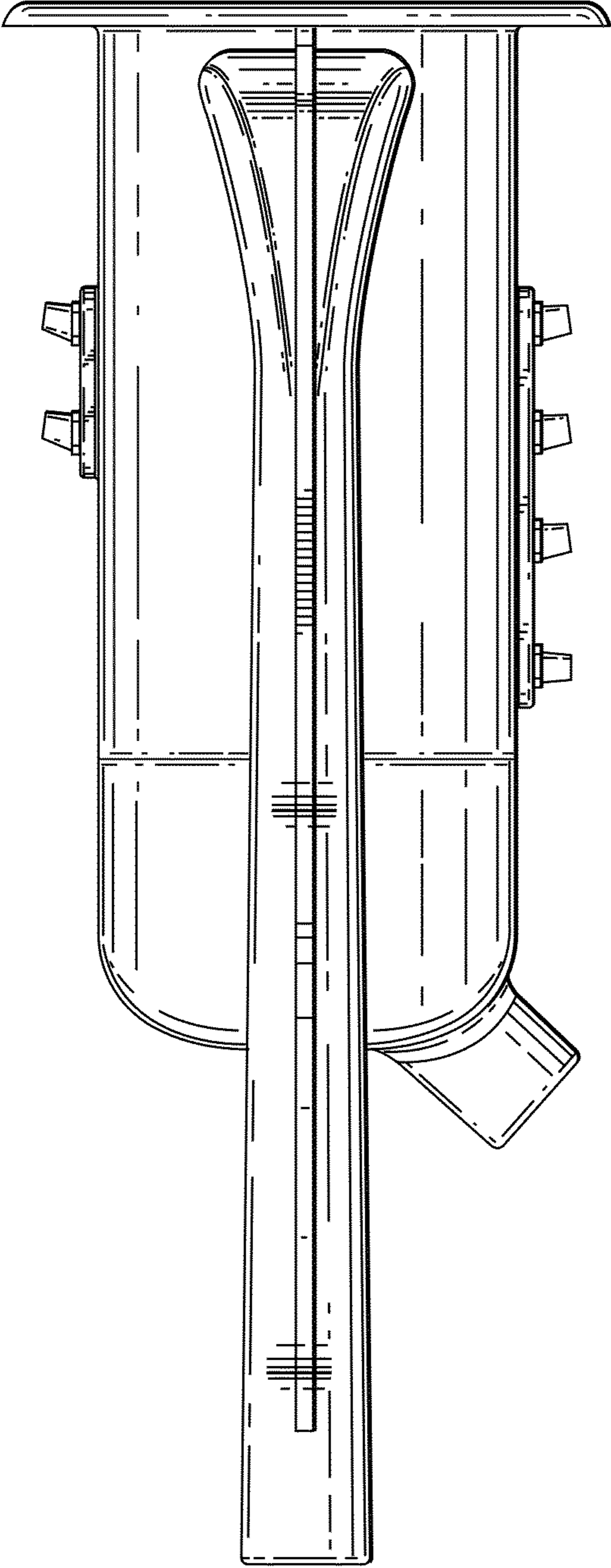


FIG. 7



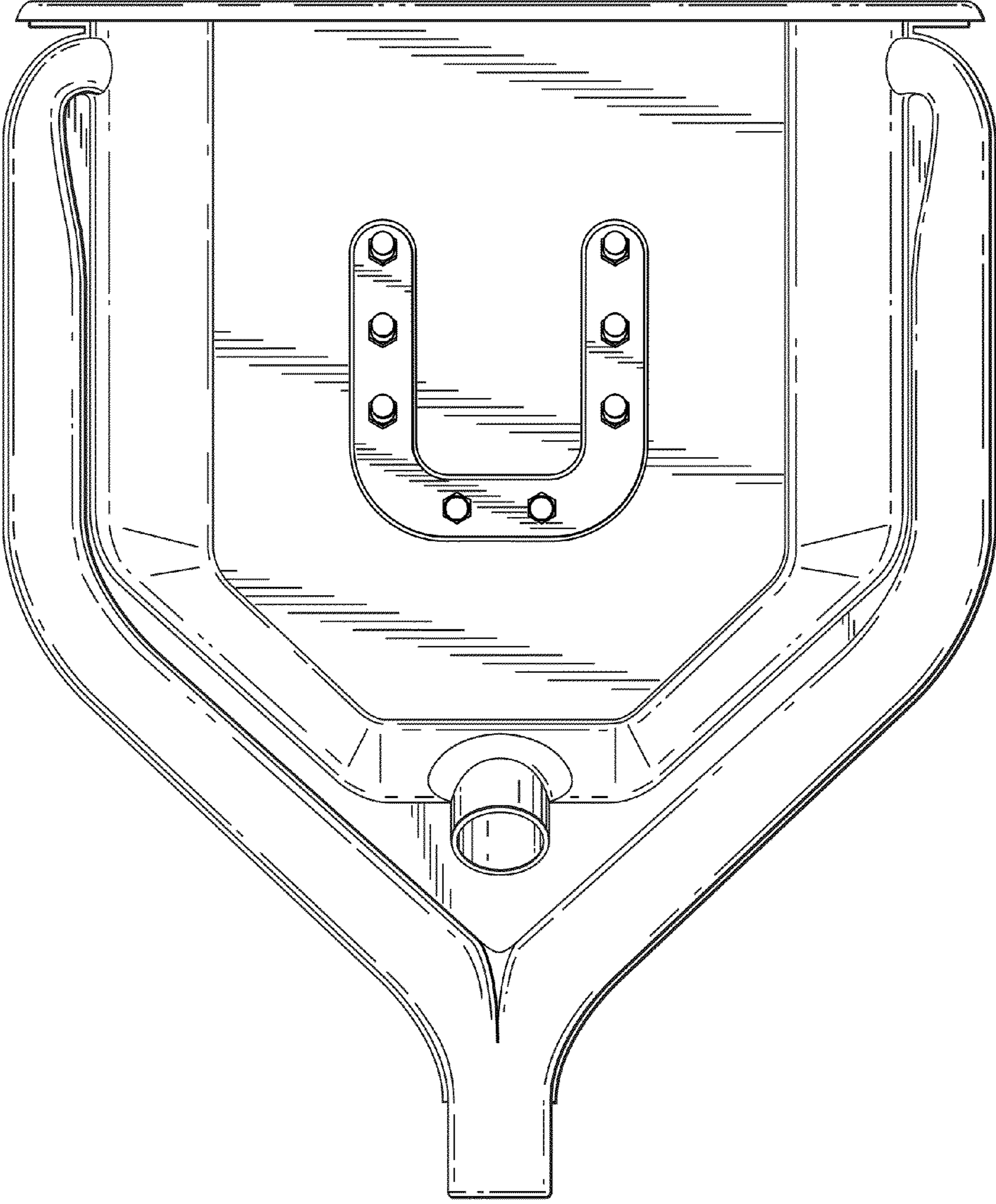


FIG. 8