



US00D713943S

(12) **United States Design Patent**
Luke

(10) **Patent No.:** **US D713,943 S**

(45) **Date of Patent:** **** Sep. 23, 2014**

(54) **PIPE ADAPTOR**

(75) **Inventor:** **Owen Edward Luke**, Kiama Heights (AU)

(73) **Assignee:** **Reln Pty Ltd** (AU)

(**) **Term:** **14 Years**

(21) **Appl. No.:** **29/430,696**

(22) **Filed:** **Aug. 29, 2012**

(30) **Foreign Application Priority Data**

Mar. 13, 2012 (AU) 12878/2012

(51) **LOC (10) Cl.** **23-01**

(52) **U.S. Cl.**
USPC **D23/262**

(58) **Field of Classification Search**
USPC D23/259-269, 386, 393; 285/12, 63, 285/88, 405; 4/252.4; D9/435-437
See application file for complete search history.

(56) **References Cited**

U.S. PATENT DOCUMENTS

D222,643 S *	11/1971	Martin	D23/266
D235,103 S *	5/1975	Maroschak	D23/266
D235,104 S *	5/1975	Maroschak	D23/266
D296,355 S *	6/1988	Kanao	D23/266
D296,356 S *	6/1988	Kanao	D23/266
D356,858 S *	3/1995	Folkman	D23/266
D427,668 S *	7/2000	Stout, Jr.	D23/262
D452,343 S *	12/2001	Pan	D26/138
D501,539 S *	2/2005	Dyer, III	D23/262
D504,503 S *	4/2005	Thurman	D23/393

6,941,972 B2 *	9/2005	Toliver et al.	138/26
D517,665 S *	3/2006	Wilk et al.	D23/262
D517,666 S *	3/2006	Wilk et al.	D23/262
D531,284 S *	10/2006	Wagner et al.	D23/266
D551,336 S *	9/2007	Haggkvist	D23/386
D566,064 S *	4/2008	Kanao	D13/199
D576,258 S *	9/2008	Ribers	D23/262
RE40,577 E *	11/2008	Renaud	D23/266
D586,435 S *	2/2009	Reckseen	D23/266
D603,939 S *	11/2009	McPheat	D23/262
D623,277 S *	9/2010	Guzzoni et al.	D23/262
D676,940 S *	2/2013	Kluss et al.	D23/262
D676,943 S *	2/2013	Kluss et al.	D23/262
D703,794 S *	4/2014	Luke	D23/262

* cited by examiner

Primary Examiner — Eric Goodman

Assistant Examiner — John Reickel

(74) *Attorney, Agent, or Firm* — Barnes & Thornburg LLP

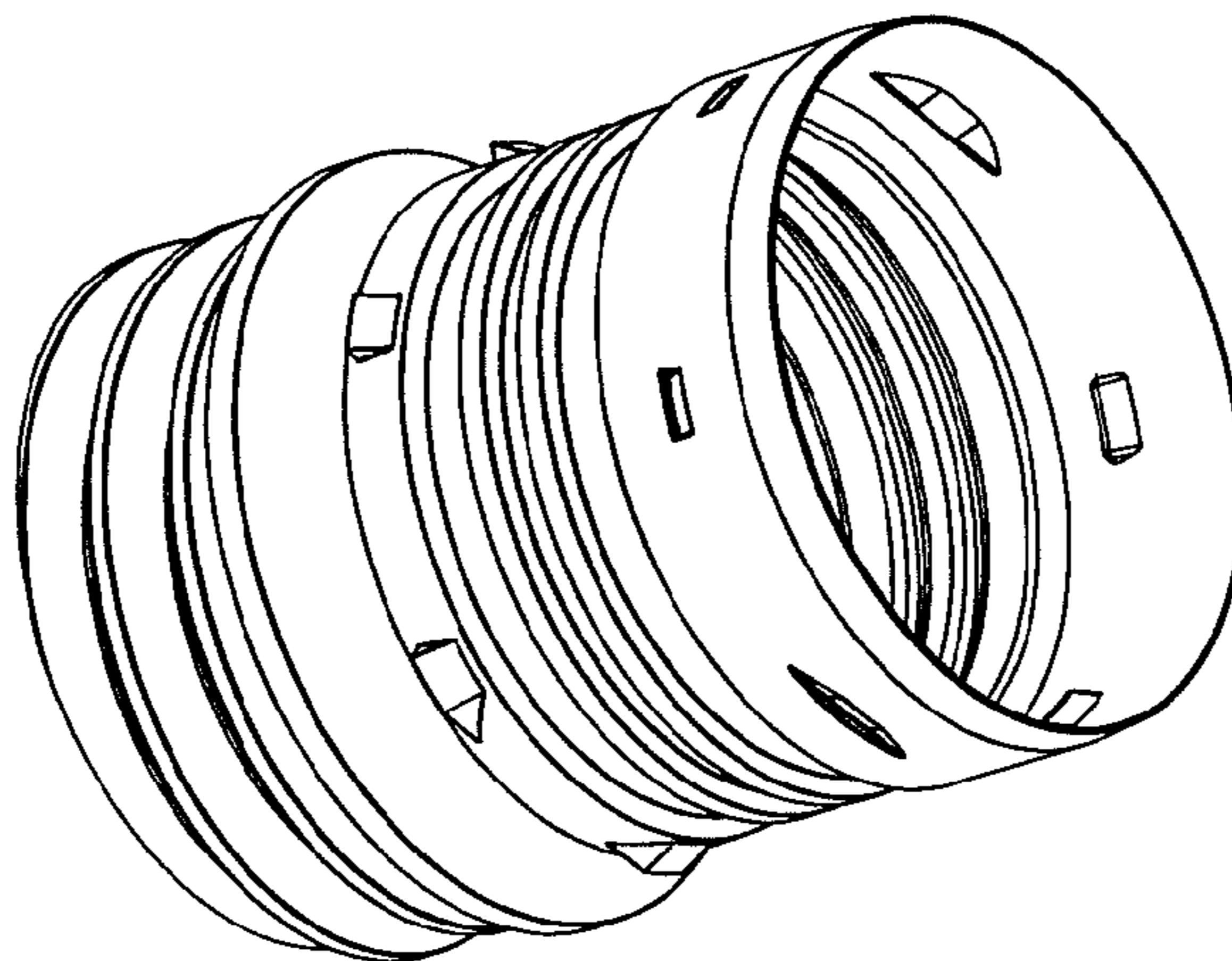
(57) **CLAIM**

The ornamental design for a pipe adaptor, as shown and described.

DESCRIPTION

FIG. 1 is an isometric view from one end,
FIG. 2 is an isometric view from the opposite end,
FIG. 3 is an isometric view as FIG. 1, but from beneath,
FIG. 4 is an isometric view as FIG. 2, but from beneath,
FIG. 5 is a side elevational view thereof, the opposite end being a mirror image,
FIG. 6 is a top plan view thereof,
FIG. 7 is a bottom plan view thereof,
FIG. 8 is an end view of FIG. 5, taken from the left end; and,
FIG. 9 is an end view of FIG. 5, taken from the right end.

1 Claim, 2 Drawing Sheets



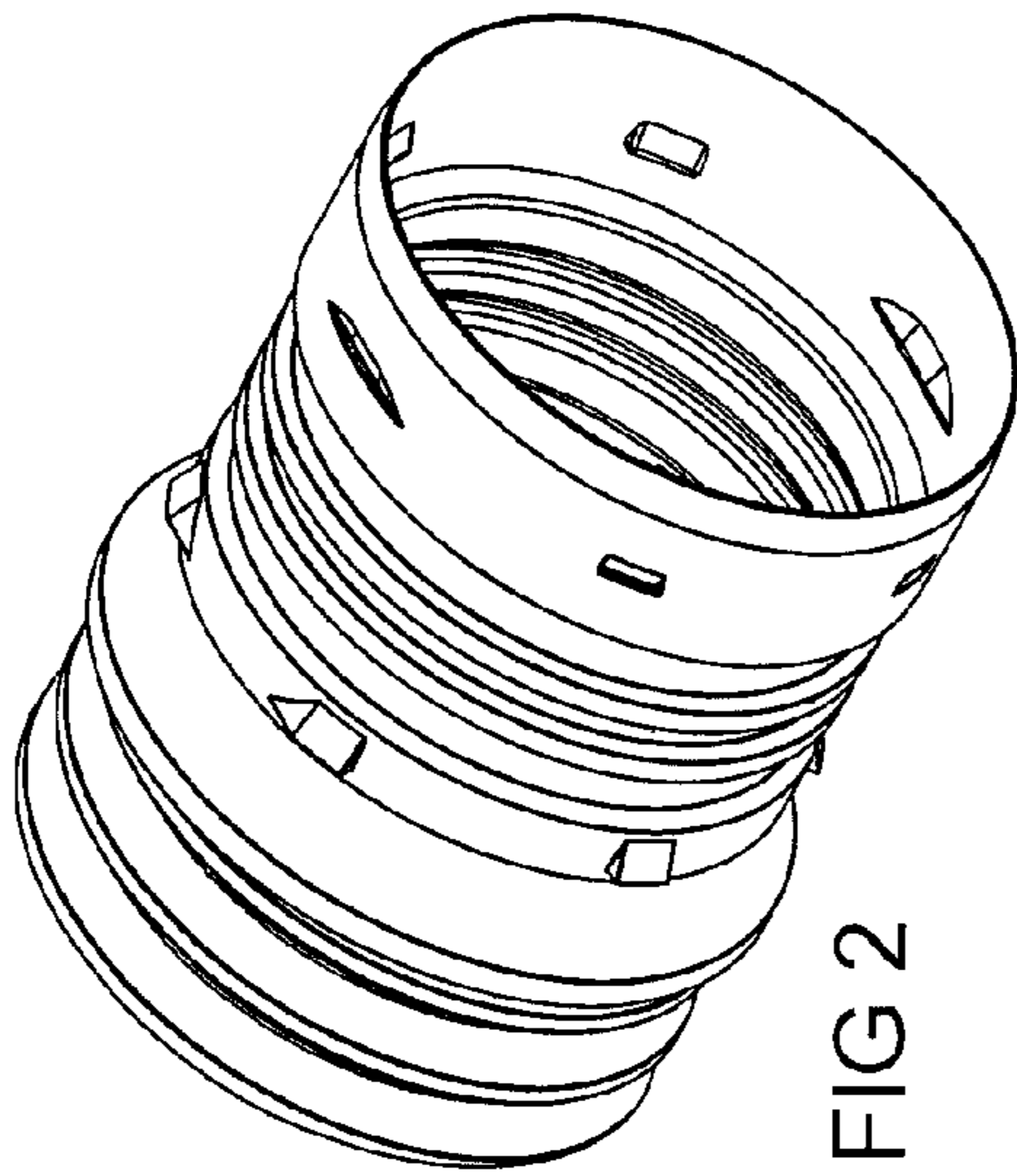


FIG 2

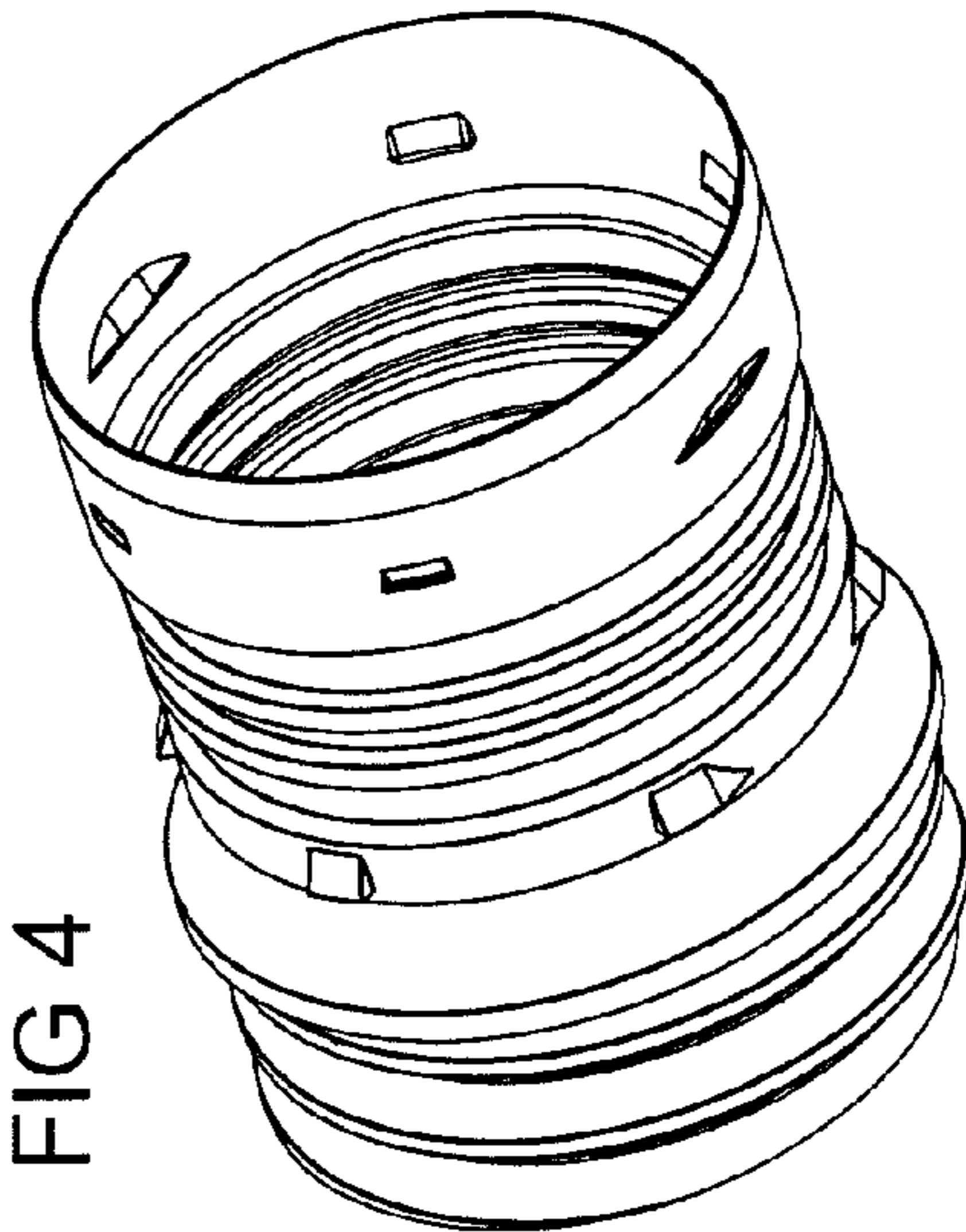


FIG 4

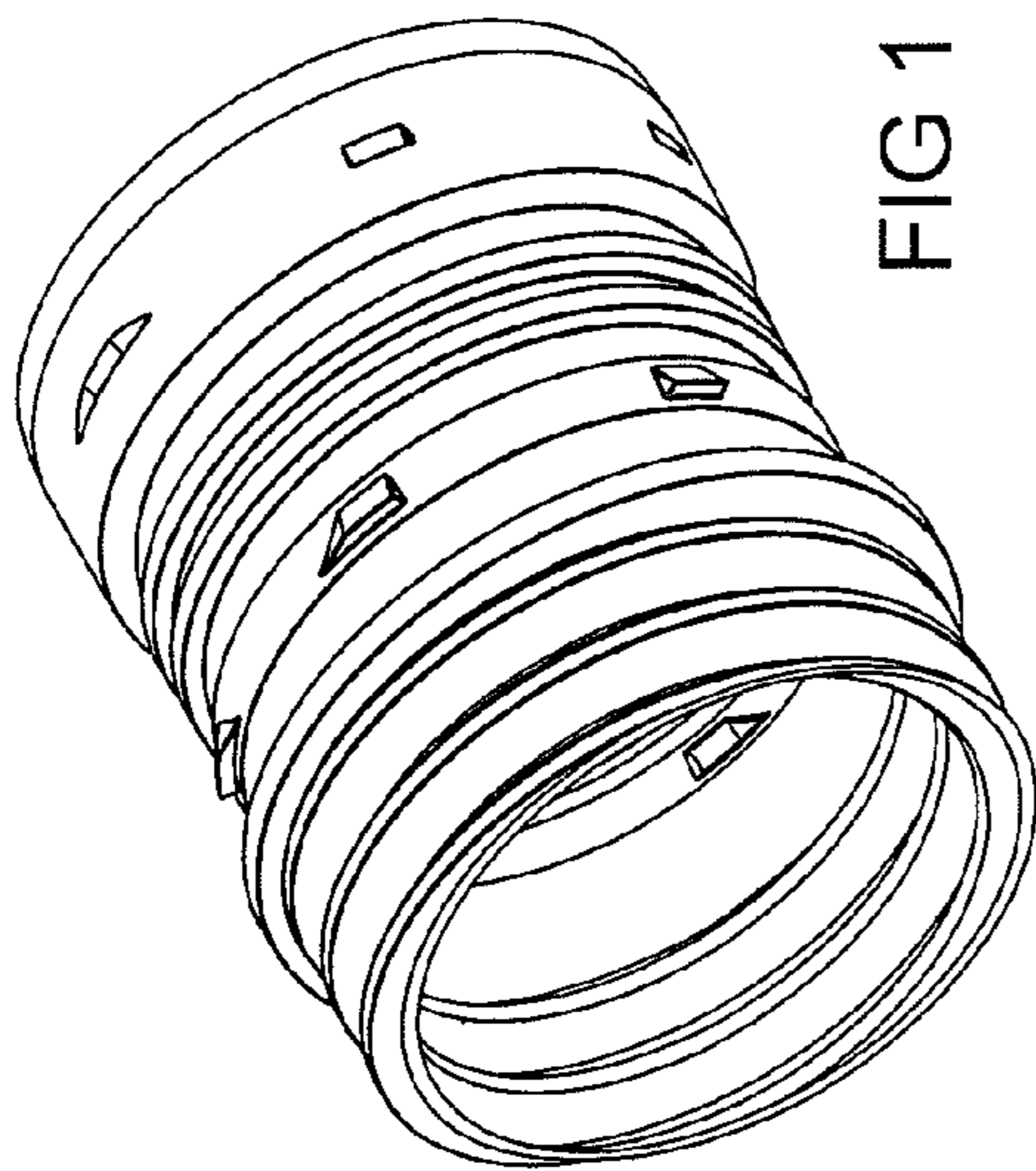


FIG 1

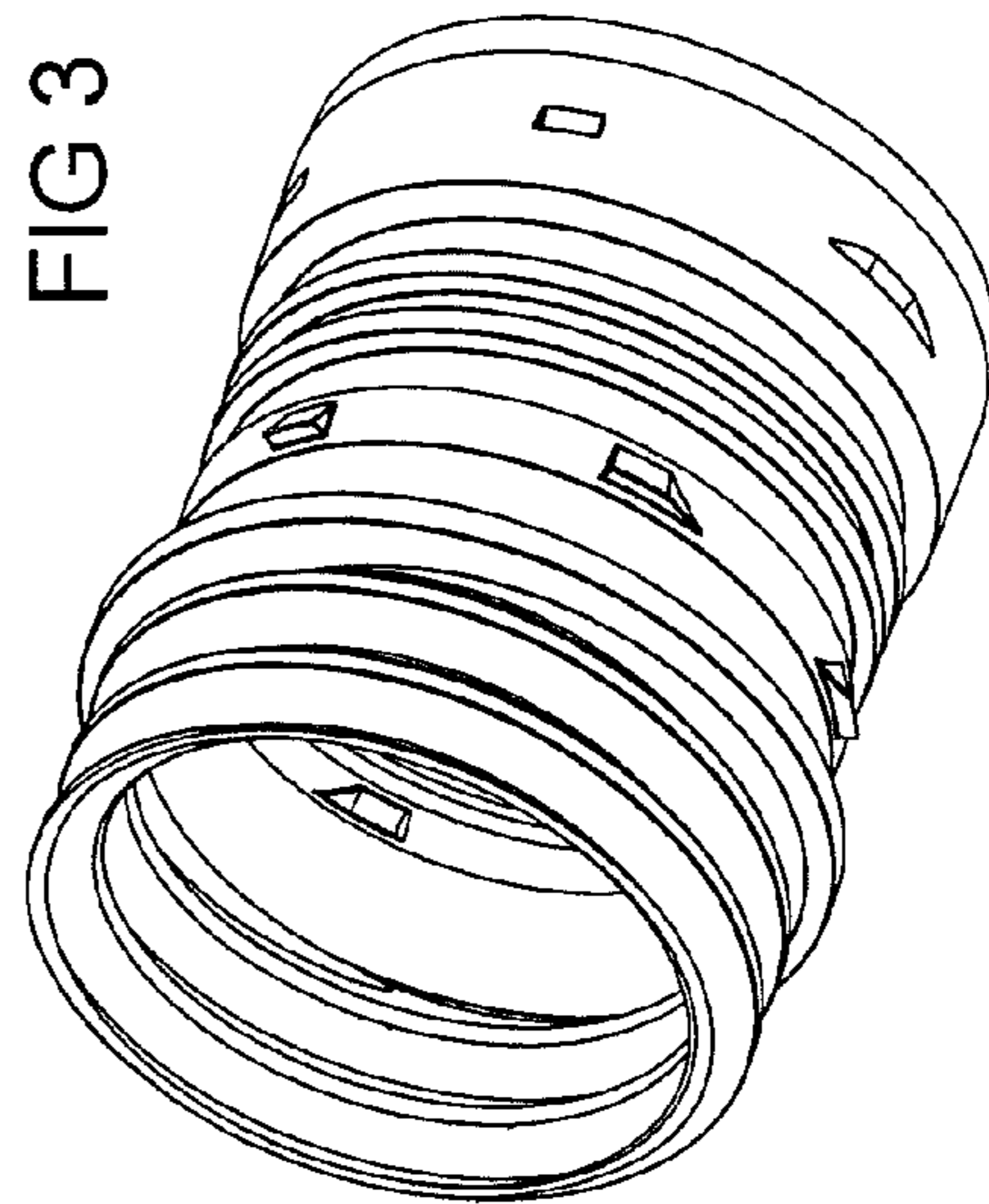


FIG 3

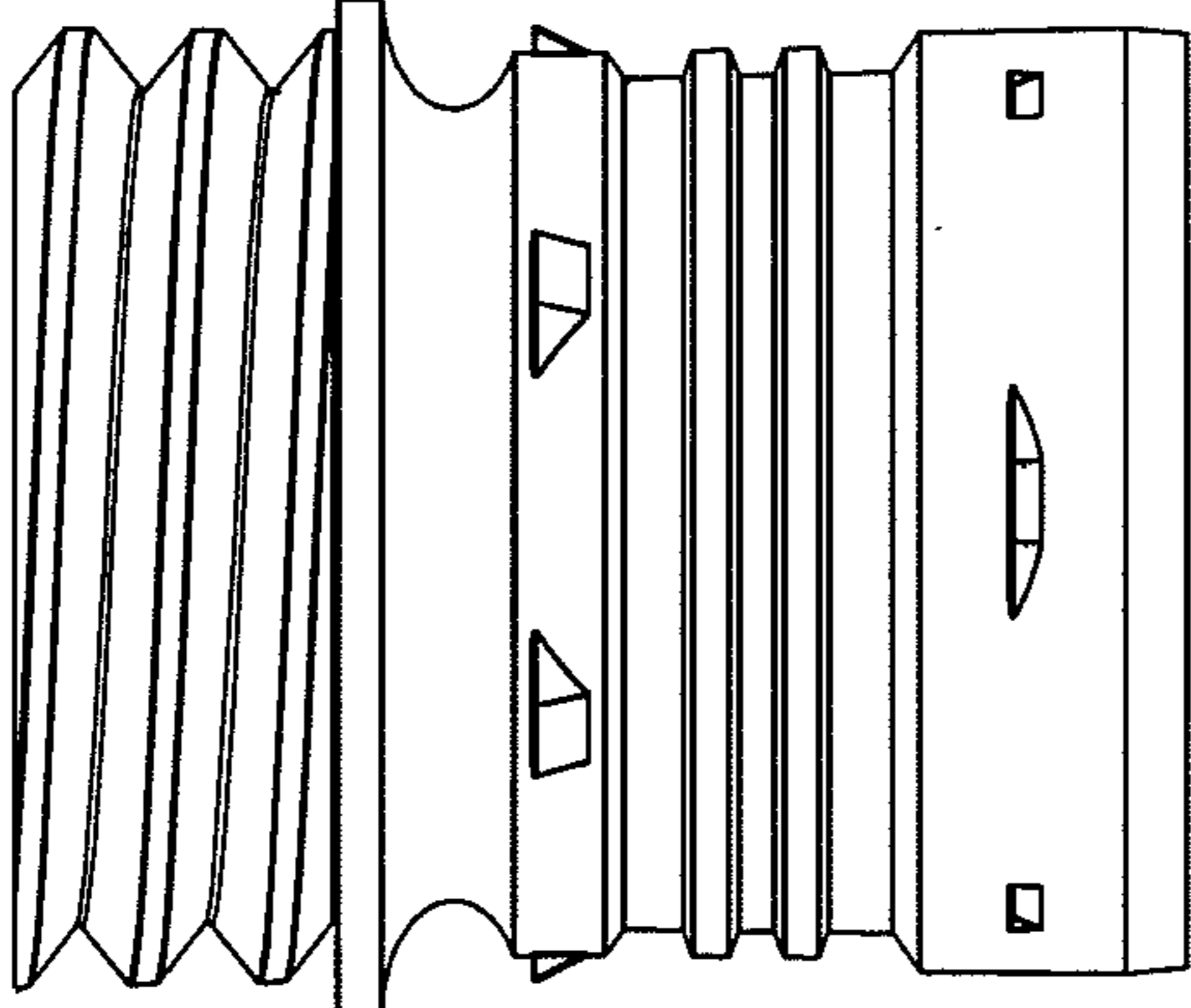


FIG 6

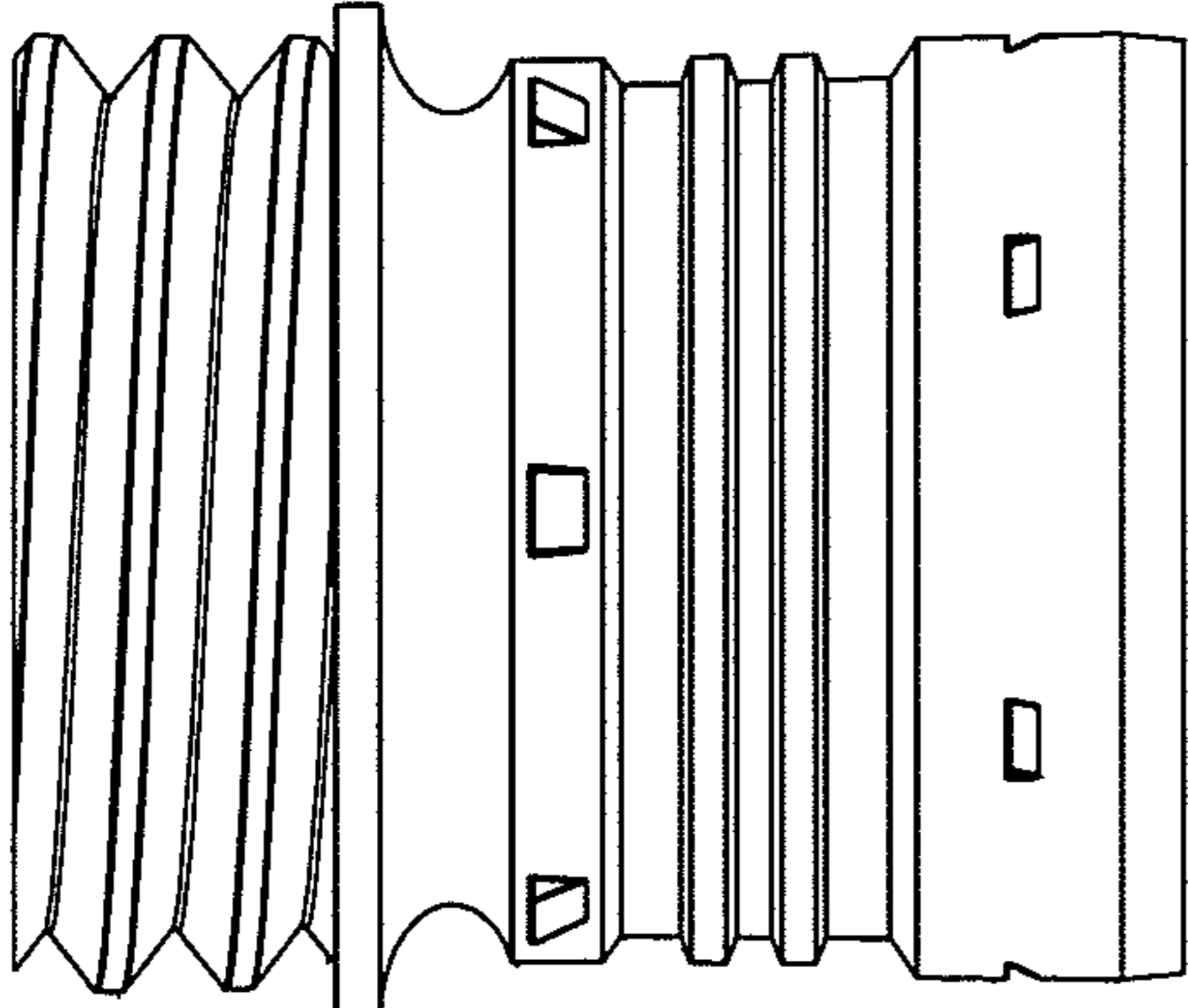


FIG 5

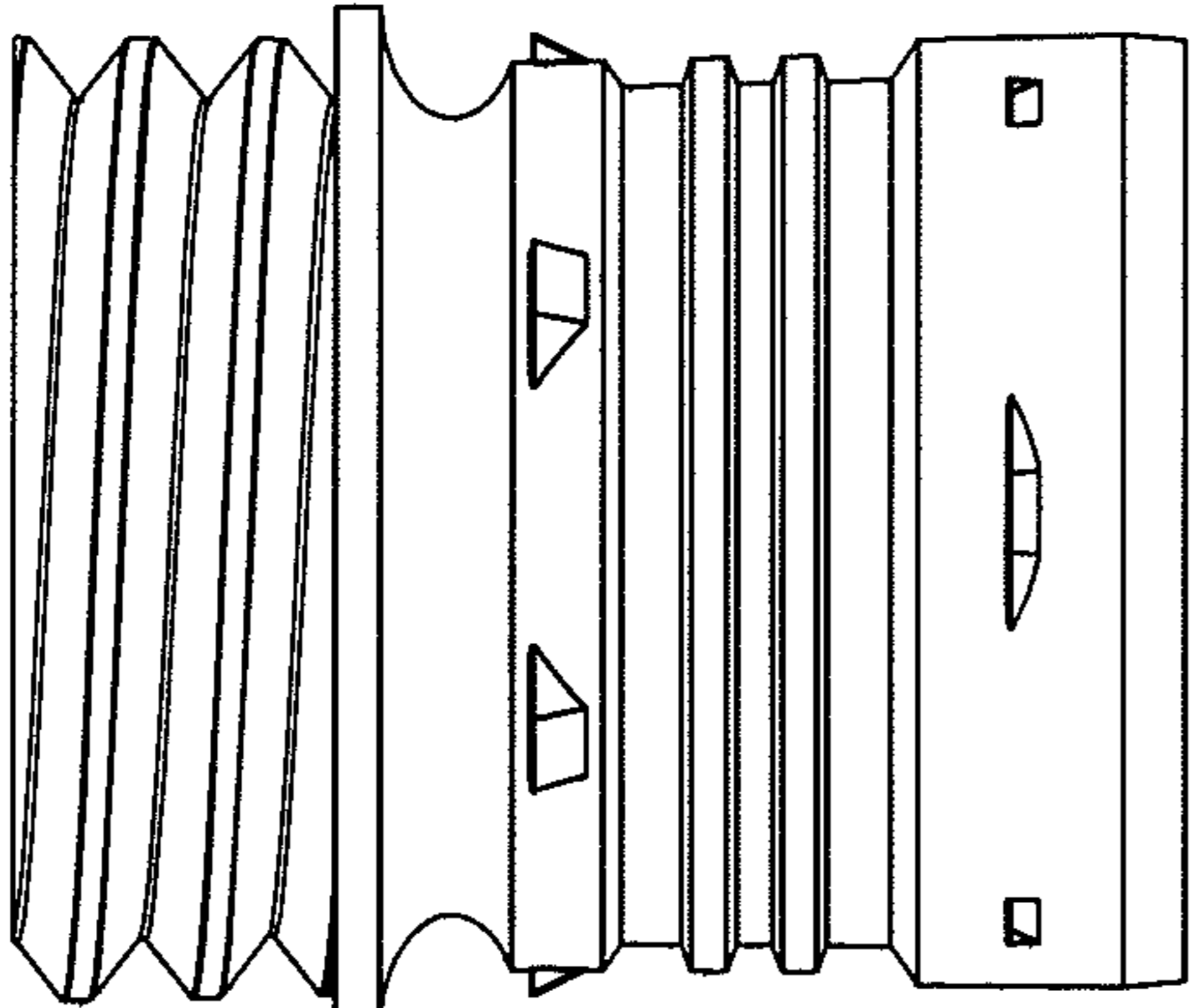


FIG 7

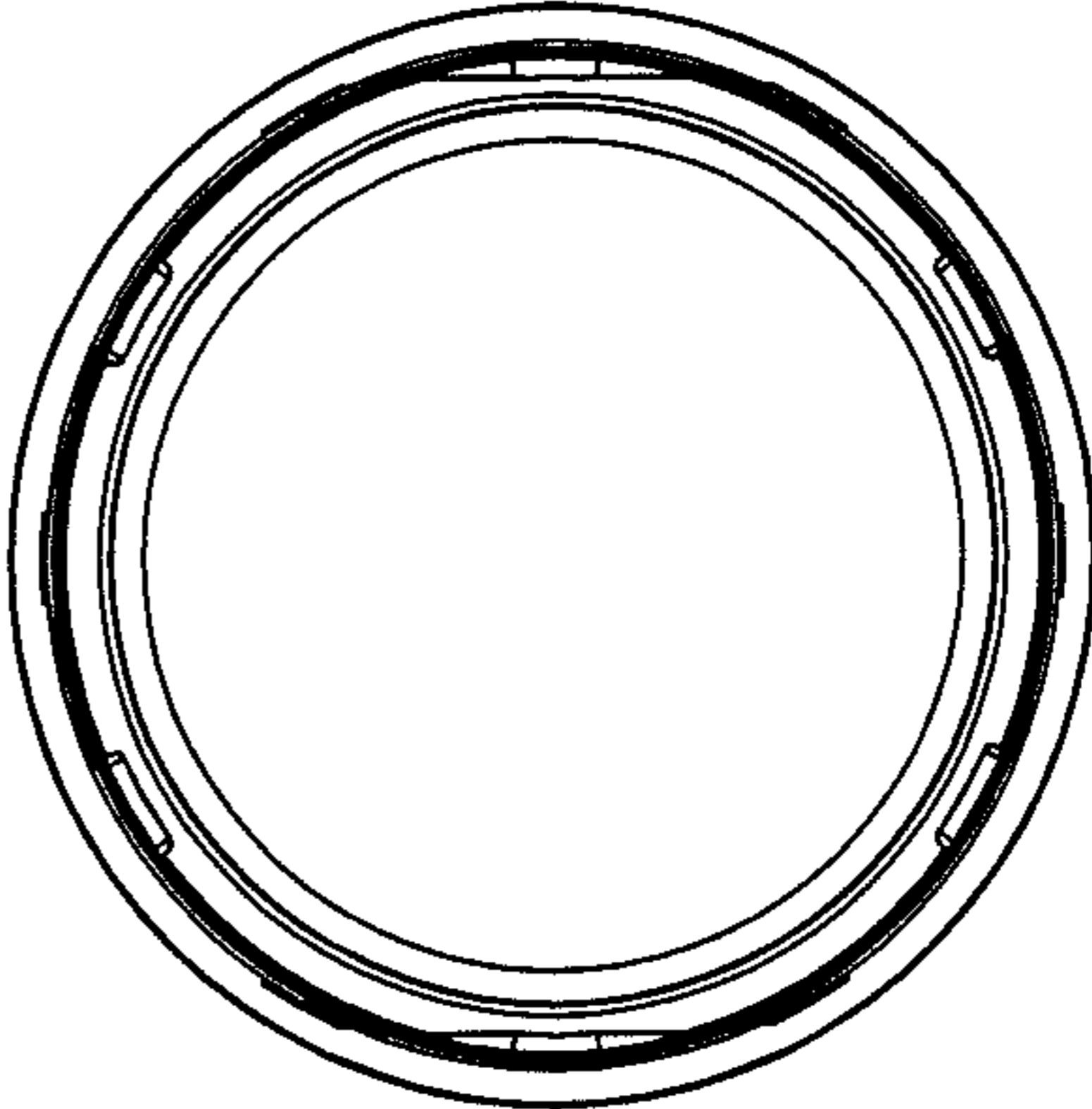


FIG 8

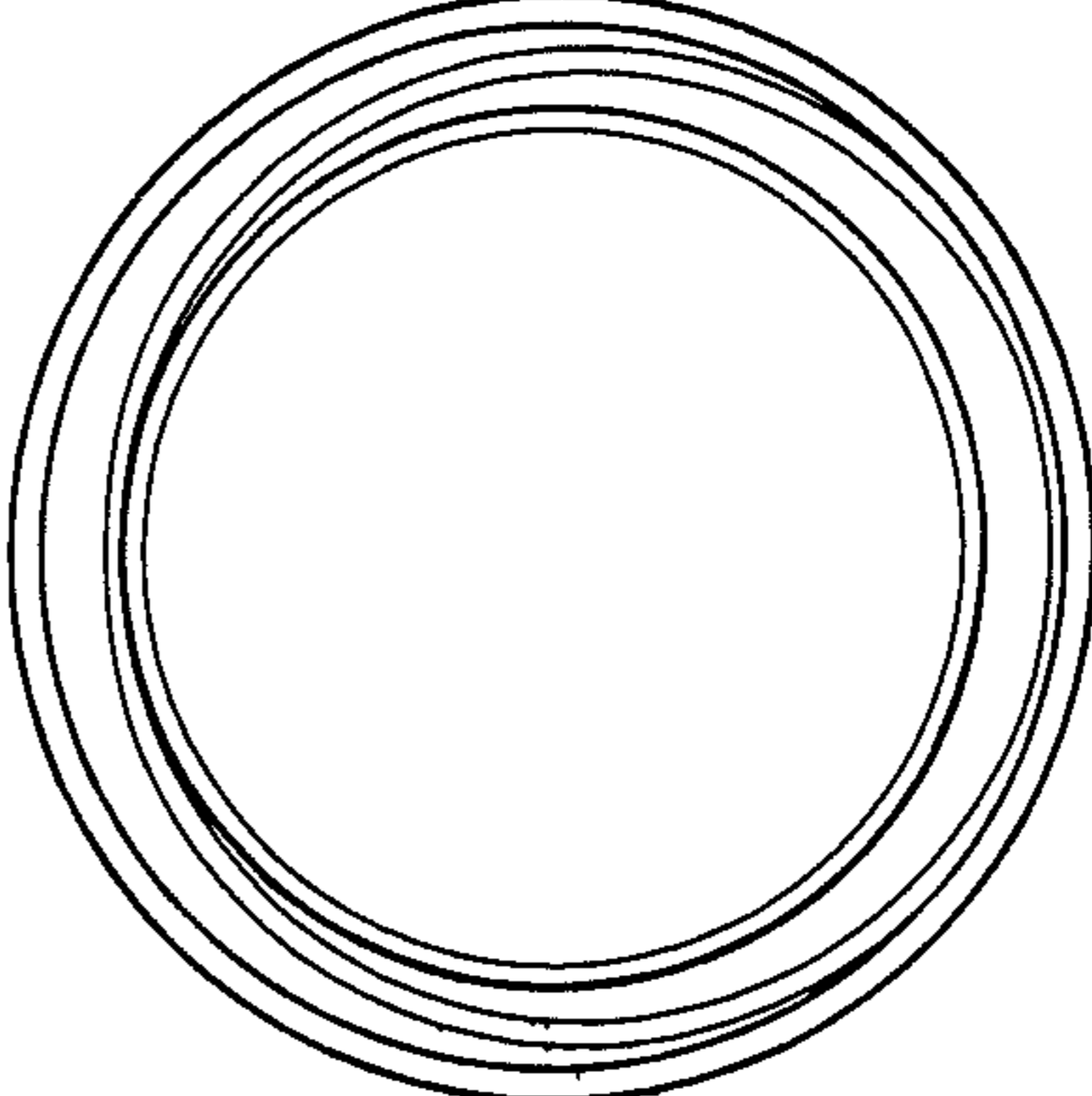


FIG 9