



US00D713941S

(12) **United States Design Patent**
Hundley et al.

(10) **Patent No.:** **US D713,941 S**

(45) **Date of Patent:** **** Sep. 23, 2014**

(54) **WATER DISTRIBUTION COMPONENTS**

(71) Applicant: **Kohler Co.**, Kohler, WI (US)

(72) Inventors: **Jill Hundley**, Sheboygan, WI (US);
William C. McKeone, Sheboygan, WI (US);
Coralee Schroeder Sandee, Sheboygan, WI (US)

(73) Assignee: **Kohler Co.**, Kohler, WI (US)

(**) Term: **14 Years**

(21) Appl. No.: **29/470,163**

(22) Filed: **Oct. 17, 2013**

(51) **LOC (10) Cl.** **23-01**

(52) **U.S. Cl.**
USPC **D23/255**

(58) **Field of Classification Search**
USPC D23/238–243, 249, 252, 254–255, 257;
4/675–678; 137/801
See application file for complete search history.

(56) **References Cited**

U.S. PATENT DOCUMENTS

D608,419 S	1/2010	Kohler, Jr. et al.	
D608,420 S	1/2010	Kohler, Jr. et al.	
D622,821 S	8/2010	Sandee et al.	
D625,778 S	10/2010	Sandee et al.	
D630,304 S	1/2011	Sandee et al.	
D635,223 S	3/2011	Sandee et al.	
D636,064 S *	4/2011	Schoenherr et al.	D23/255
D636,853 S *	4/2011	Yu	D23/238
D647,178 S *	10/2011	Liao	D23/242
D698,421 S *	1/2014	Schoenherr et al.	D23/238

OTHER PUBLICATIONS

Kohler Faucet Catalog—2010—p. 49—Margaux Series—SKU# K-16232.

* cited by examiner

Primary Examiner — Robert Delehanty

(74) *Attorney, Agent, or Firm* — Foley & Lardner LLP

(57) **CLAIM**

We claim the ornamental design for water distribution components, as shown and described.

DESCRIPTION

FIG. 1 is a perspective view of an embodiment of the claimed design;

FIG. 2 is a side view of the embodiment of the claimed design shown in FIG. 1;

FIG. 3 is another side view of the embodiment of the claimed design shown in FIG. 1;

FIG. 4 is a front view of the embodiment of the claimed design shown in FIG. 1;

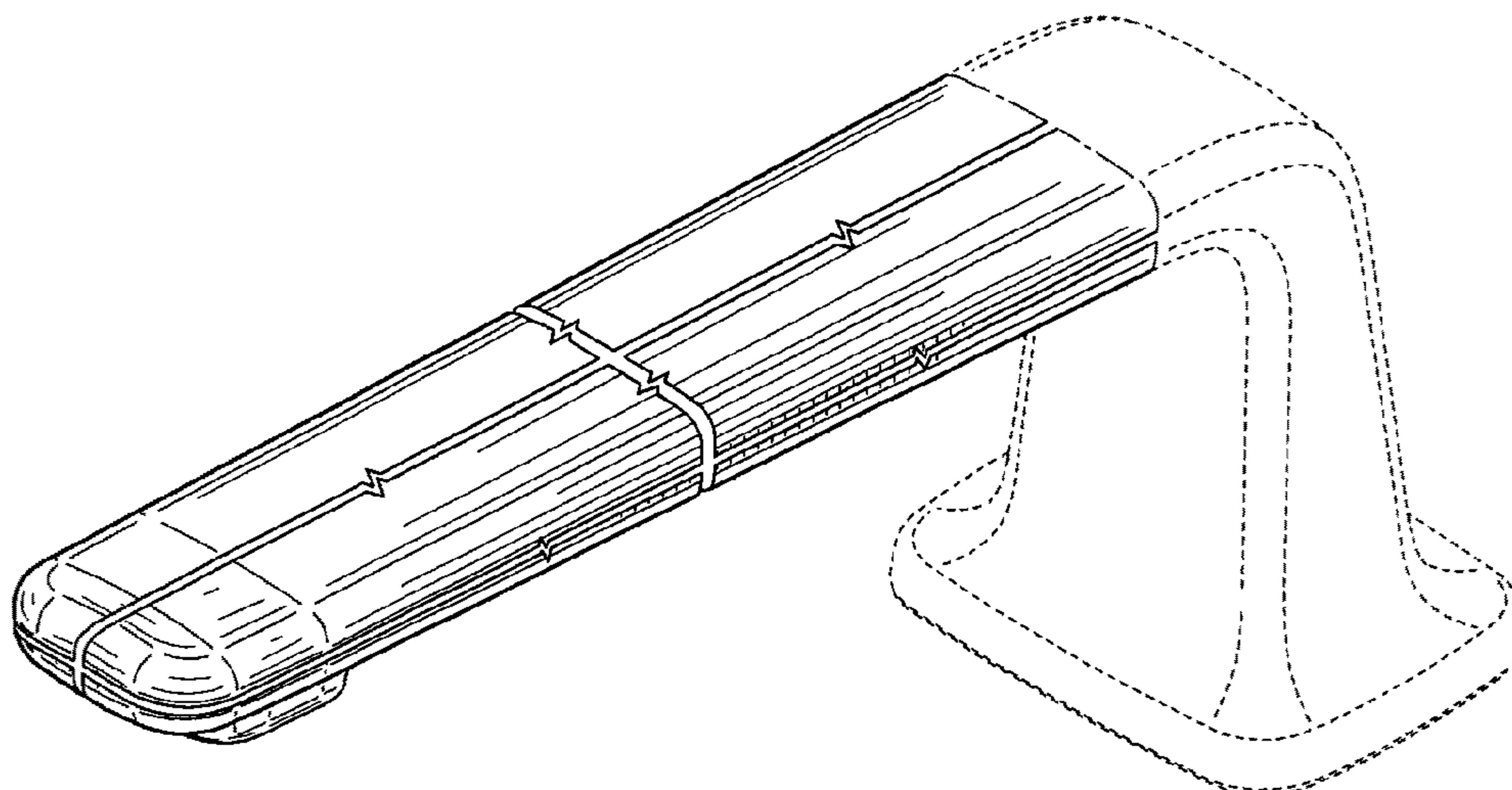
FIG. 5 is a rear view of the embodiment of the claimed design shown in FIG. 1;

FIG. 6 is a top view of the embodiment of the claimed design shown in FIG. 1; and,

FIG. 7 is a bottom view of the embodiment of the claimed design shown in FIG. 1.

The ornamental design which is claimed is shown in solid lines in the drawings. The broken lines in the drawings are for illustrative purposes only and form no part of the claimed design. Broken lines formed by equal length dashes show unclaimed portions of the design. Broken lines formed of unequal length dashes (i.e., dash-dot) show boundaries between claimed and unclaimed portions of the design.

1 Claim, 6 Drawing Sheets



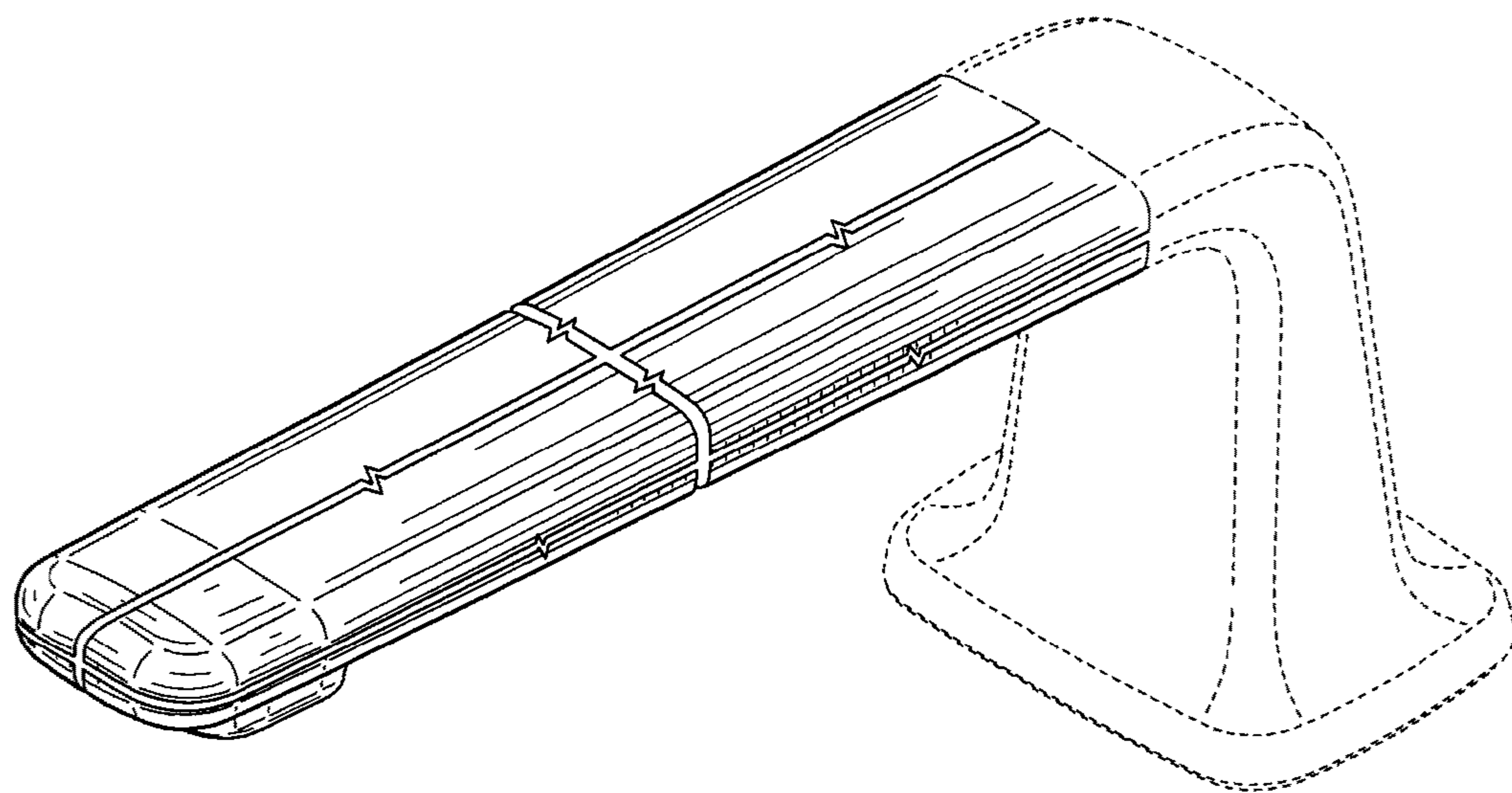


FIG. 1

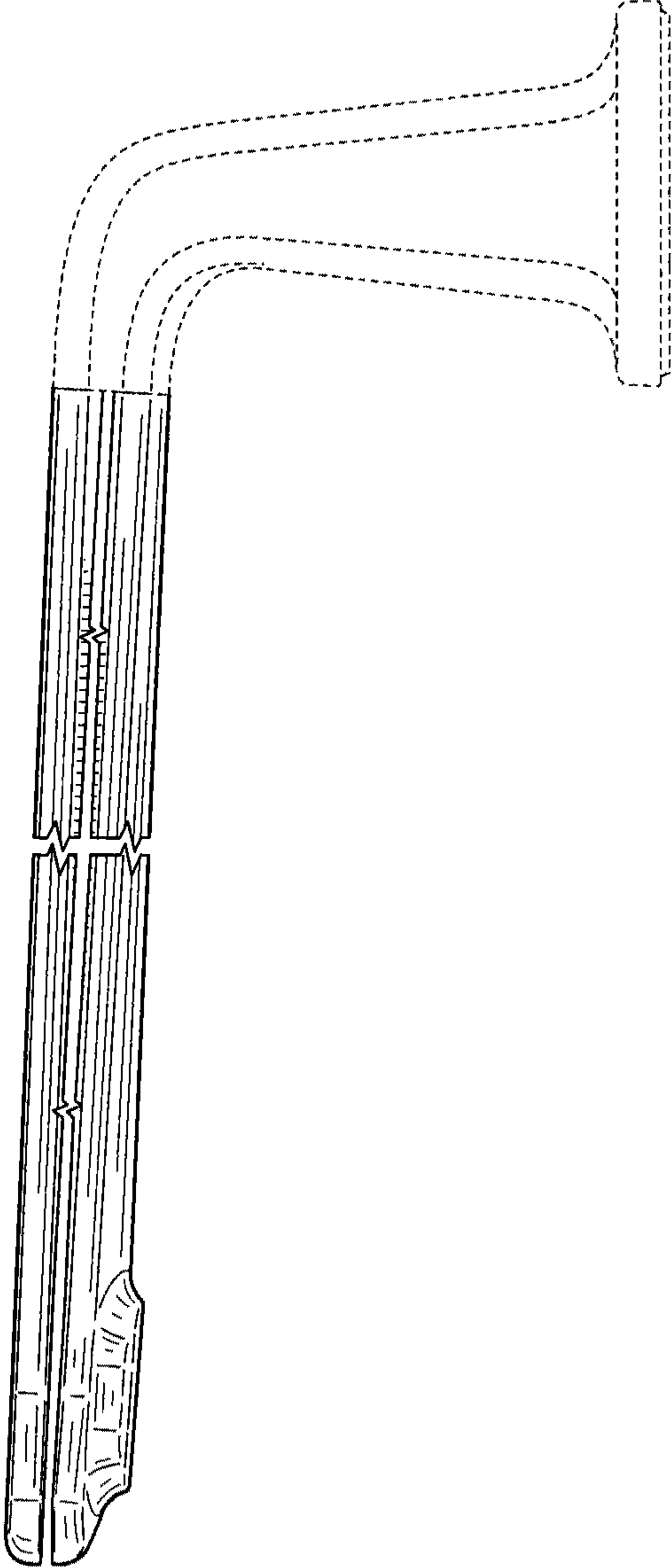


FIG. 2

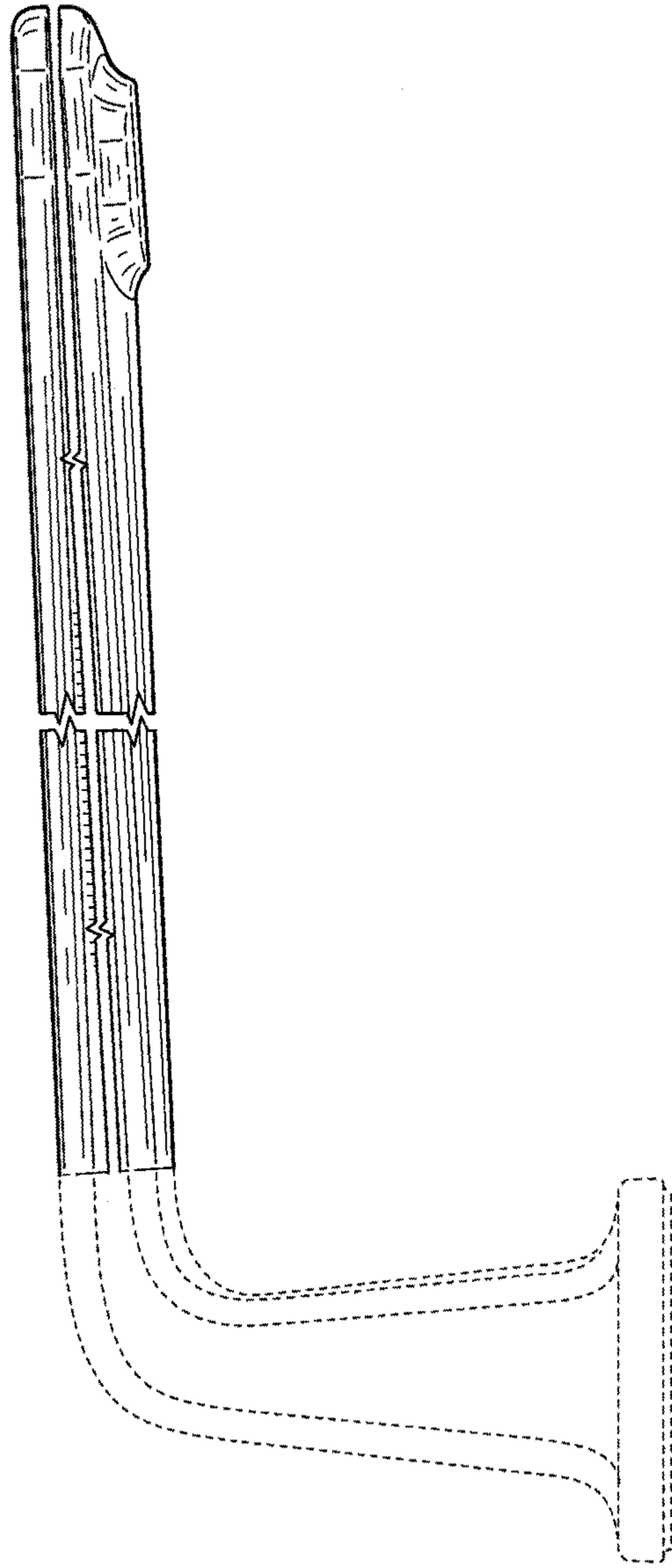


FIG. 3

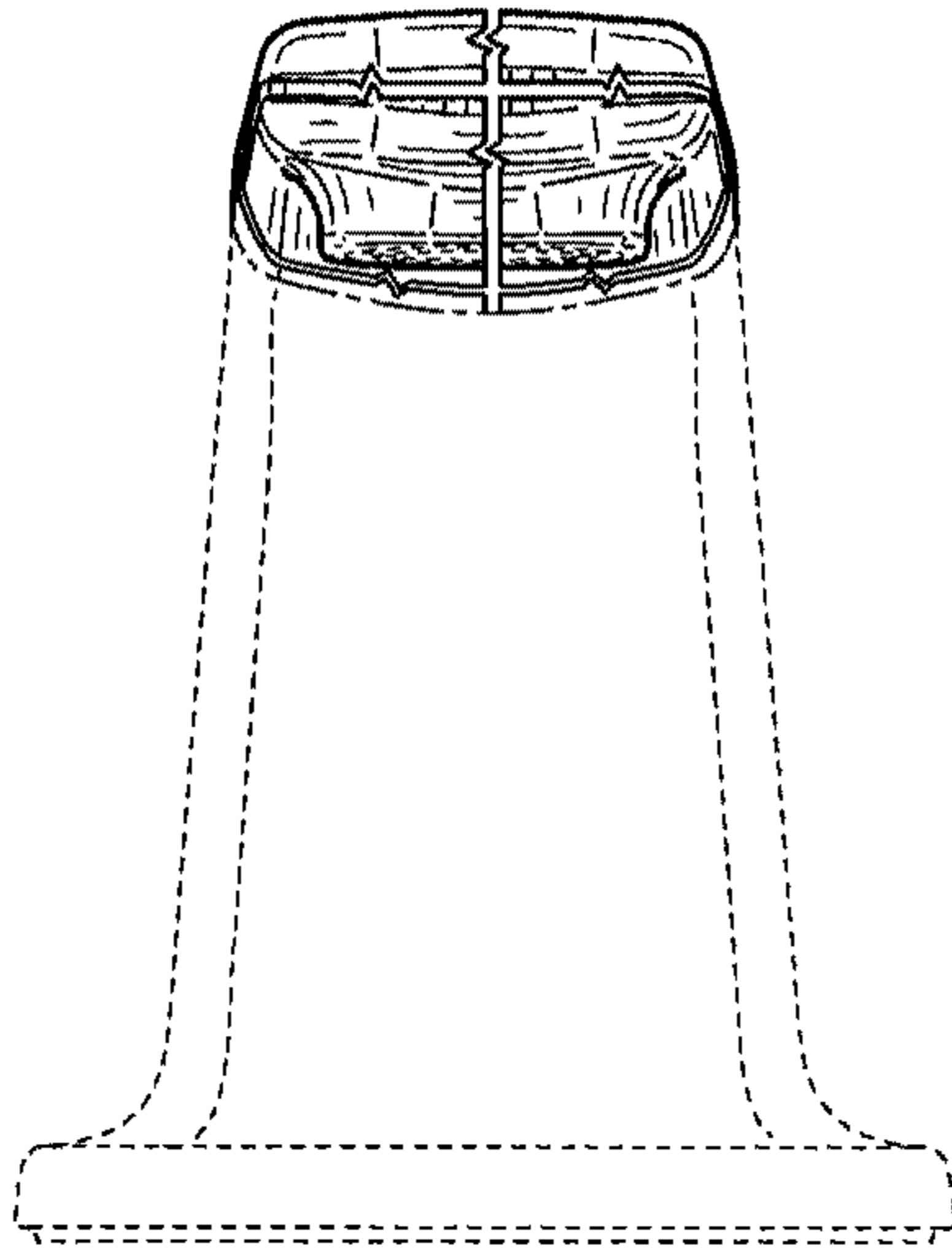


FIG. 4

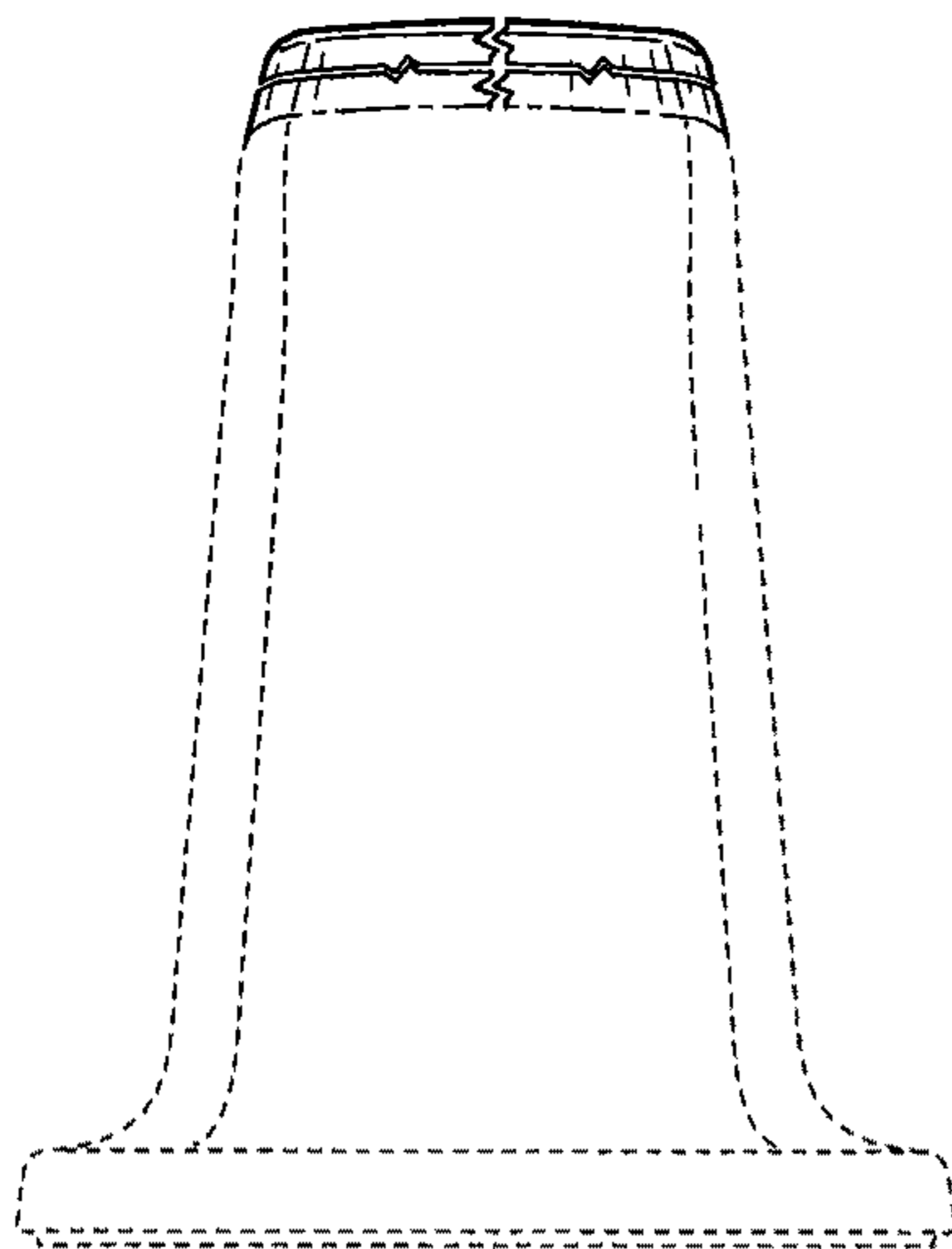


FIG. 5

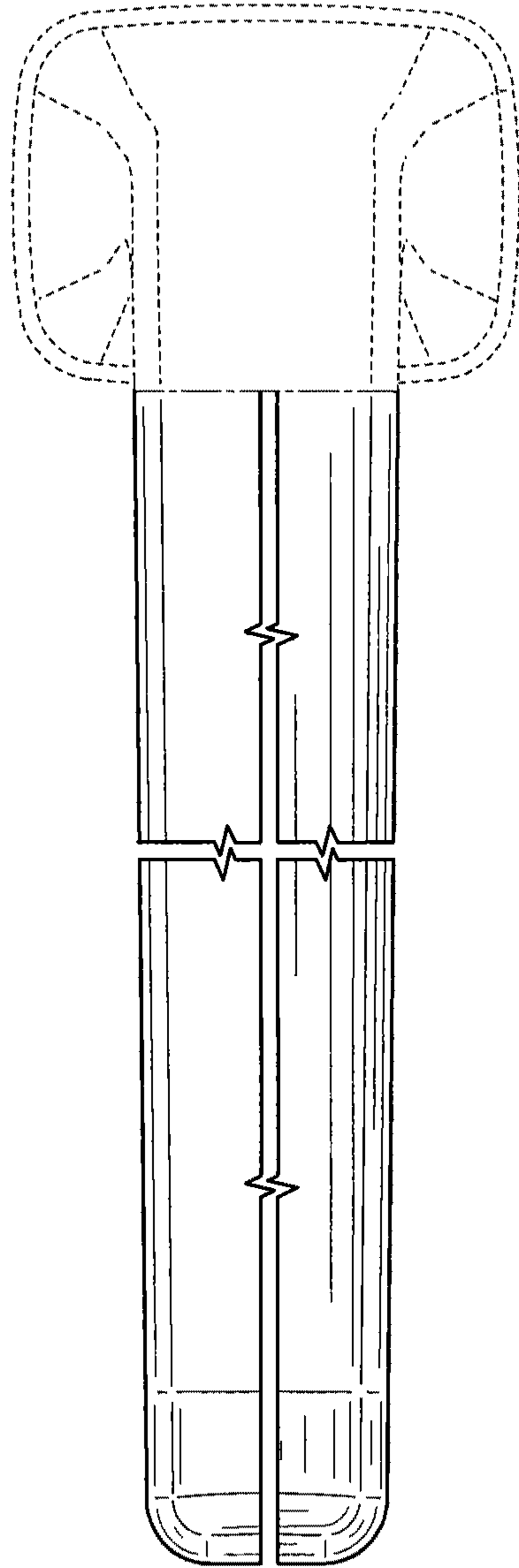


FIG. 6

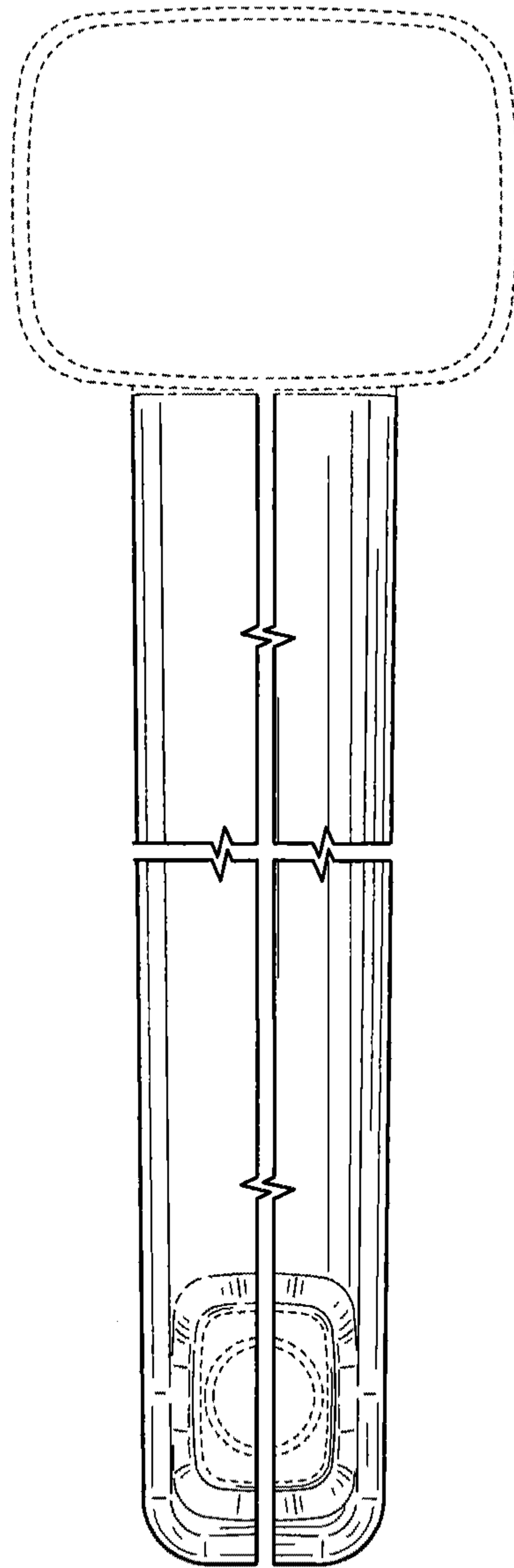


FIG. 7