

US00D713939S

(12) **United States Design Patent**  
**Mazz et al.**

(10) **Patent No.:** **US D713,939 S**  
(45) **Date of Patent:** **\*\* Sep. 23, 2014**

- (54) **FAUCET**
- (71) Applicant: **Kohler Co.**, Kohler, WI (US)
- (72) Inventors: **Margaret C. Mazz**, Sheboygan, WI (US); **Gregory de Swarte**, Sheboygan, WI (US); **Paul B. Georgeson**, Milwaukee, WI (US); **Rafael A. Rexach**, Sheboygan, WI (US)
- (73) Assignee: **Kohler Co.**, Kohler, WI (US)

- D575,848 S 8/2008 Kirar
- D579,526 S 10/2008 Williams
- D585,112 S 1/2009 Kohler et al.
- D608,417 S 1/2010 Rubin et al.
- D635,220 S 3/2011 Rubin et al.
- D635,221 S 3/2011 Rubin et al.
- D652,898 S 1/2012 Flowers et al.
- D653,731 S 2/2012 Bailey
- D670,361 S 11/2012 Georgeson et al.
- D676,117 S 2/2013 Georgeson et al.
- D683,825 S 6/2013 Sofield
- D684,242 S 6/2013 McKeone et al.
- D689,595 S 9/2013 Georgeson

- (\*\*) Term: **14 Years**
- (21) Appl. No.: **29/485,497**
- (22) Filed: **Mar. 19, 2014**

**OTHER PUBLICATIONS**

U.S. Appl. No. 13/797,297, filed Mar. 12, 2013, Kohler Co.

*Primary Examiner* — Robert Delehanty  
(74) *Attorney, Agent, or Firm* — Foley & Lardner LLP

**Related U.S. Application Data**

- (62) Division of application No. 29/452,196, filed on Apr. 12, 2013, now Pat. No. Des. 703,790.
- (51) **LOC (10) Cl.** ..... **23-01**
- (52) **U.S. Cl.**  
USPC ..... **D23/252**
- (58) **Field of Classification Search**  
USPC ..... D23/238–243, 249–250, 252;  
4/675–678; 137/801  
See application file for complete search history.

(57) **CLAIM**  
We claim the ornamental design for a faucet, as shown and described.

**DESCRIPTION**

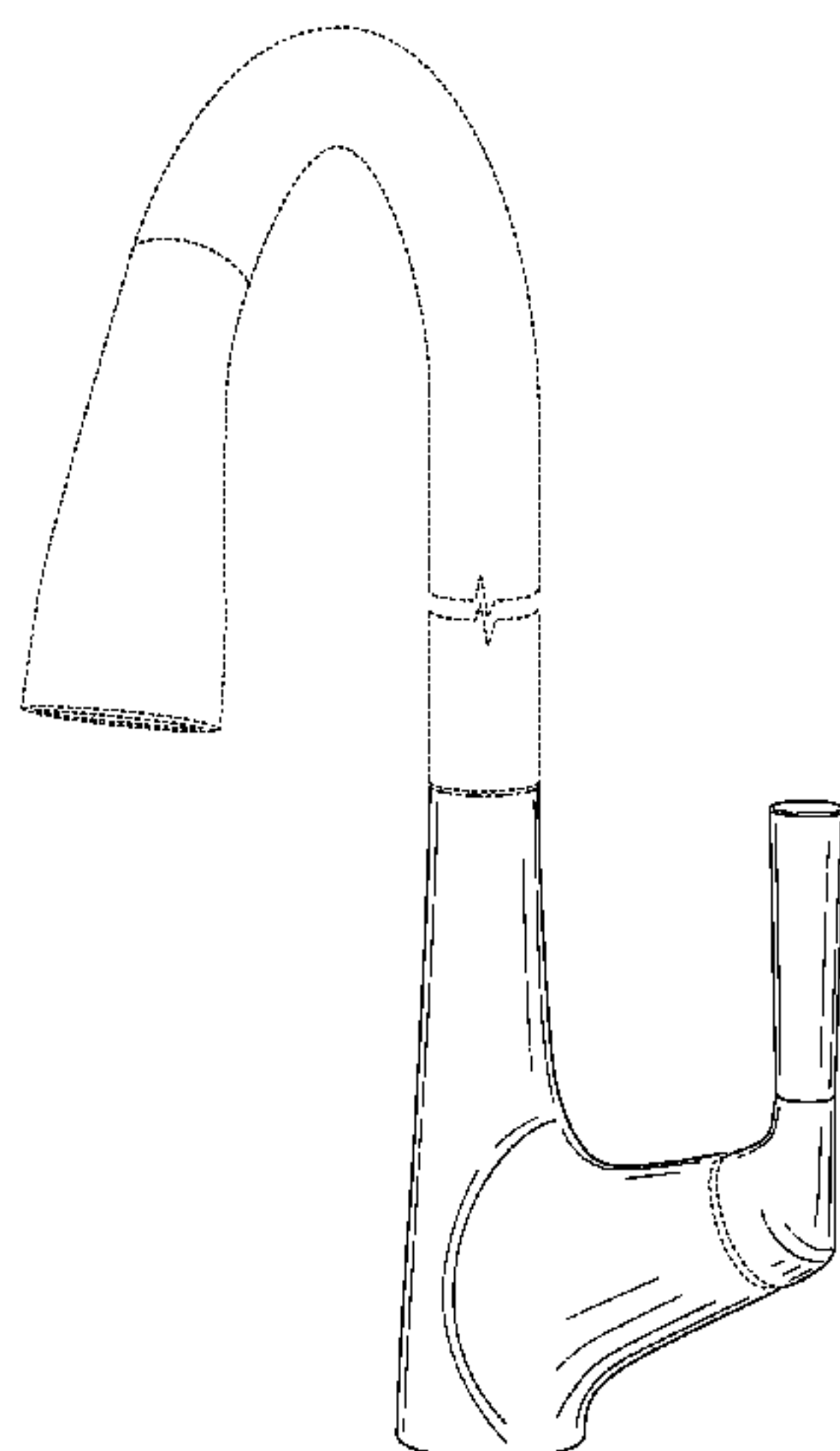
FIG. 1 is a top, front, right perspective view of an embodiment of the claimed design;  
FIG. 2 is a front elevation view thereof;  
FIG. 3 is a rear elevation view thereof;  
FIG. 4 is a right elevation view thereof;  
FIG. 5 is a left elevation view thereof;  
FIG. 6 is a top plan view thereof; and,  
FIG. 7 is a bottom plan view thereof.

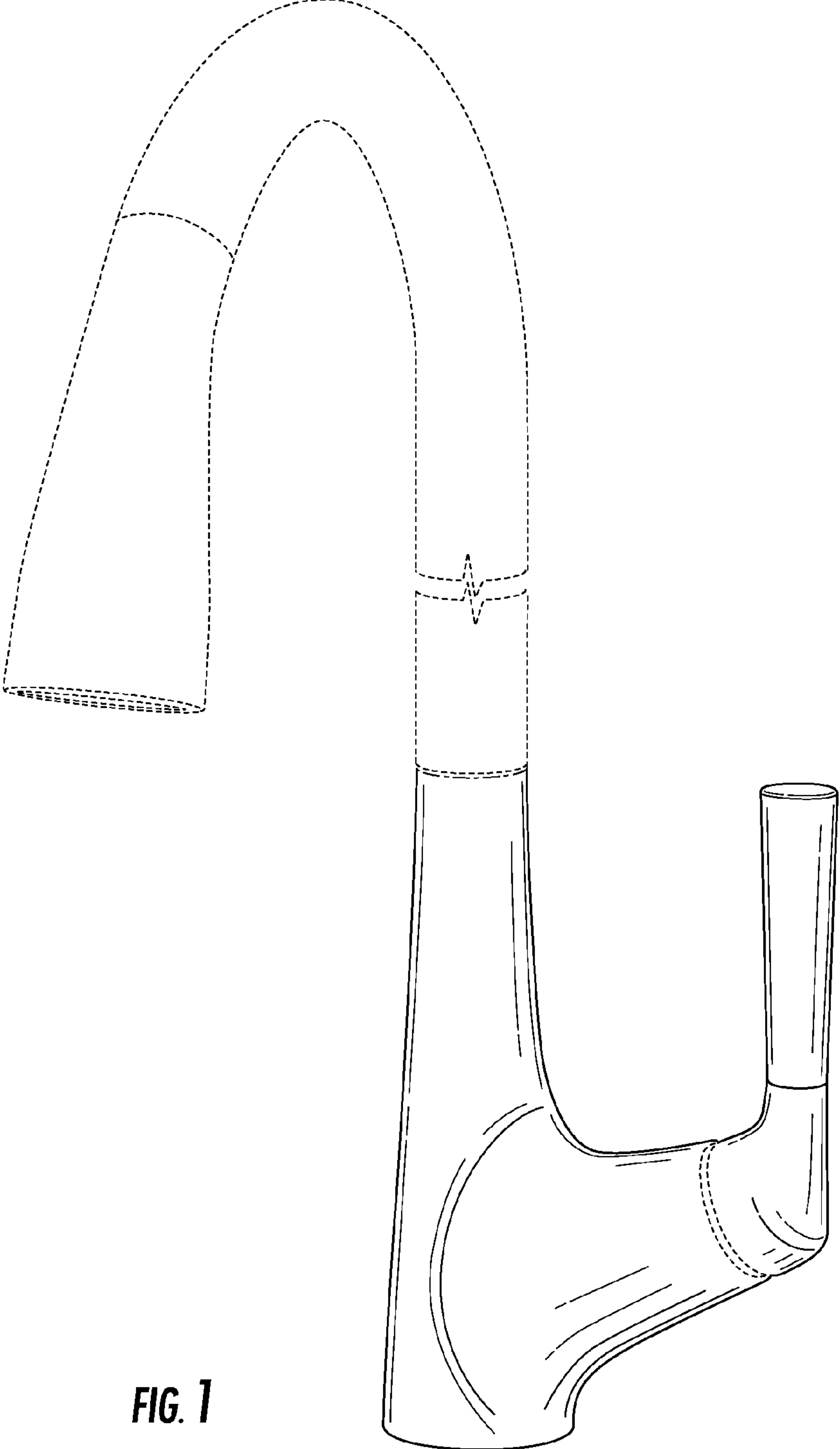
The ornamental design which is claimed is shown in solid lines in the drawings. The broken lines in the drawings are for illustrative purposes only and form no part of the claimed design. Broken lines formed by equal length dashes show unclaimed portions of the design. Broken lines formed of unequal length dashes (i.e., dash-dot) show boundaries between claimed and unclaimed portions of the design. Broken lines having a jagged element show that the no particular length of the portion is claimed.

(56) **References Cited**  
U.S. PATENT DOCUMENTS

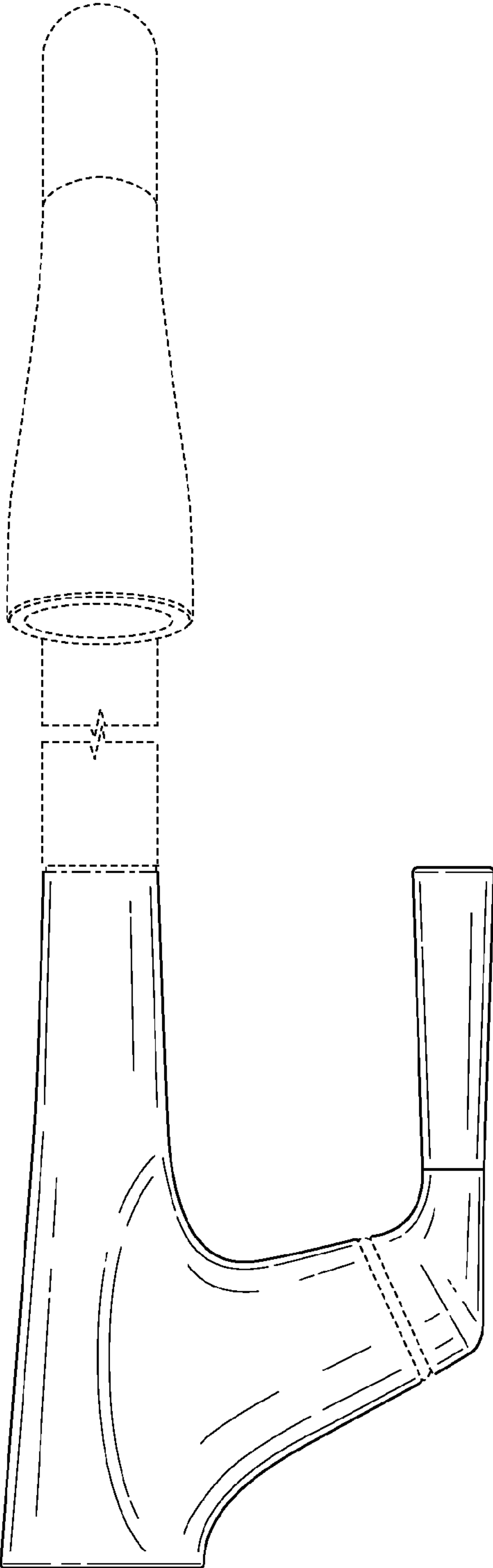
- D332,135 S 12/1992 Bonnell
- D334,230 S 3/1993 Bonnell
- D383,831 S 9/1997 Esche et al.
- D428,118 S 7/2000 McKeone
- D428,965 S 8/2000 Slothower
- D443,337 S 6/2001 Mark et al.
- D460,150 S 7/2002 Rexach
- D495,782 S 9/2004 Lin
- D498,824 S 11/2004 Lin
- D499,795 S 12/2004 Bayer
- D564,634 S 3/2008 Kirar
- D566,241 S 4/2008 Barry

**1 Claim, 7 Drawing Sheets**

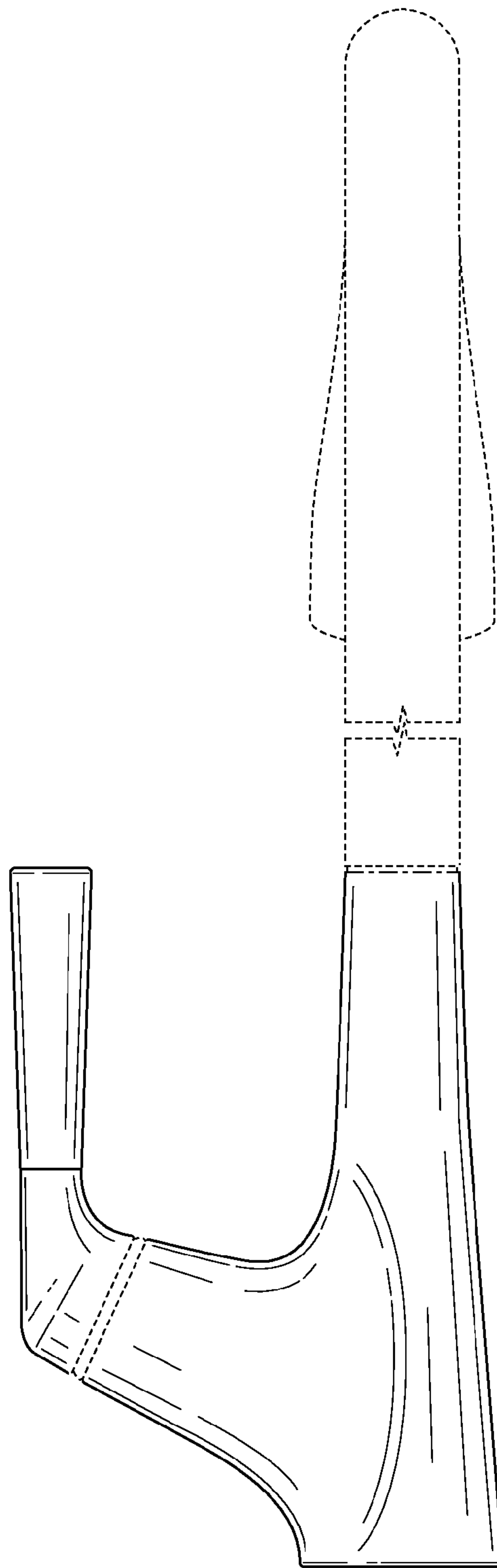




**FIG. 1**



**FIG. 2**



**FIG. 3**

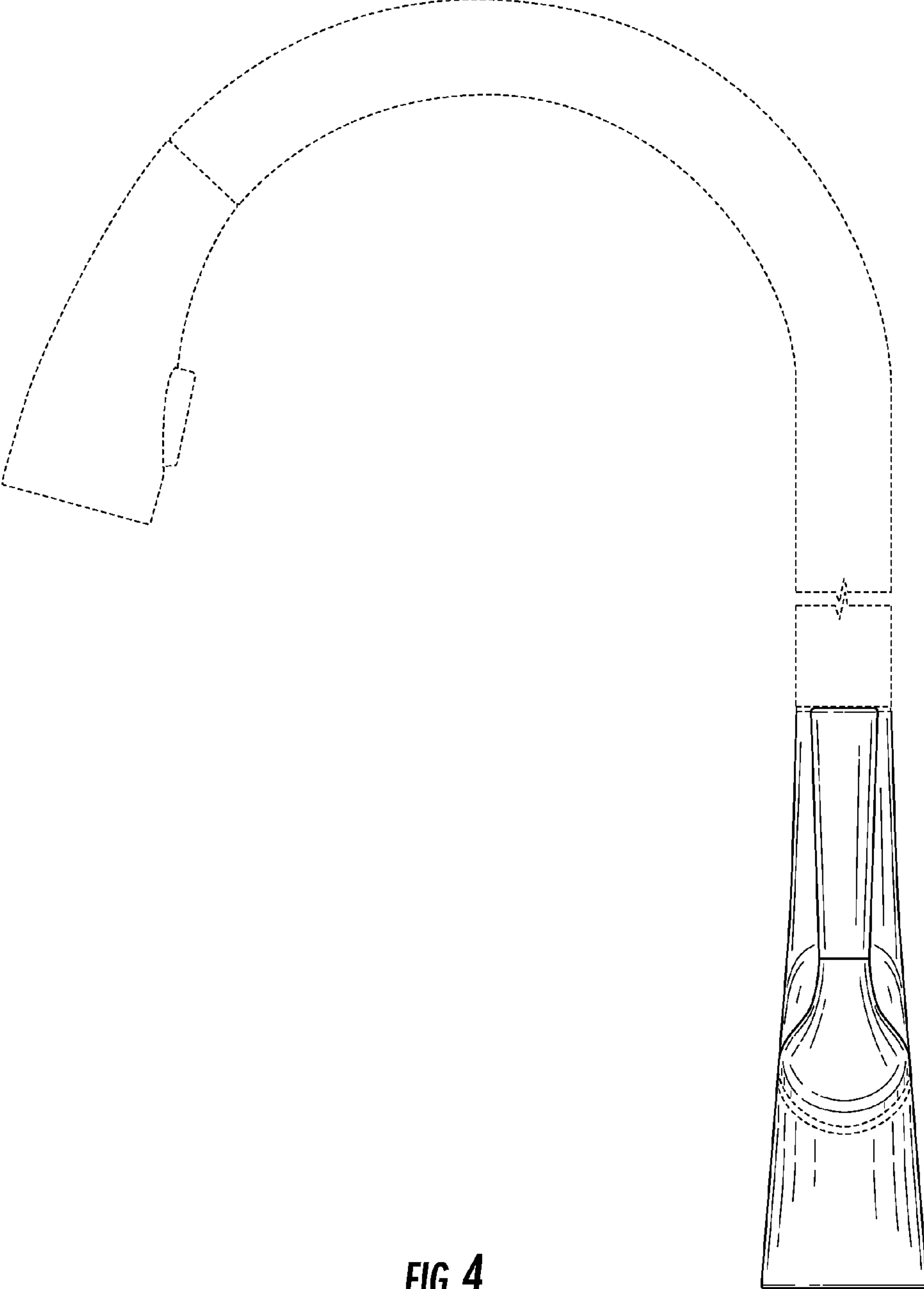


FIG. 4

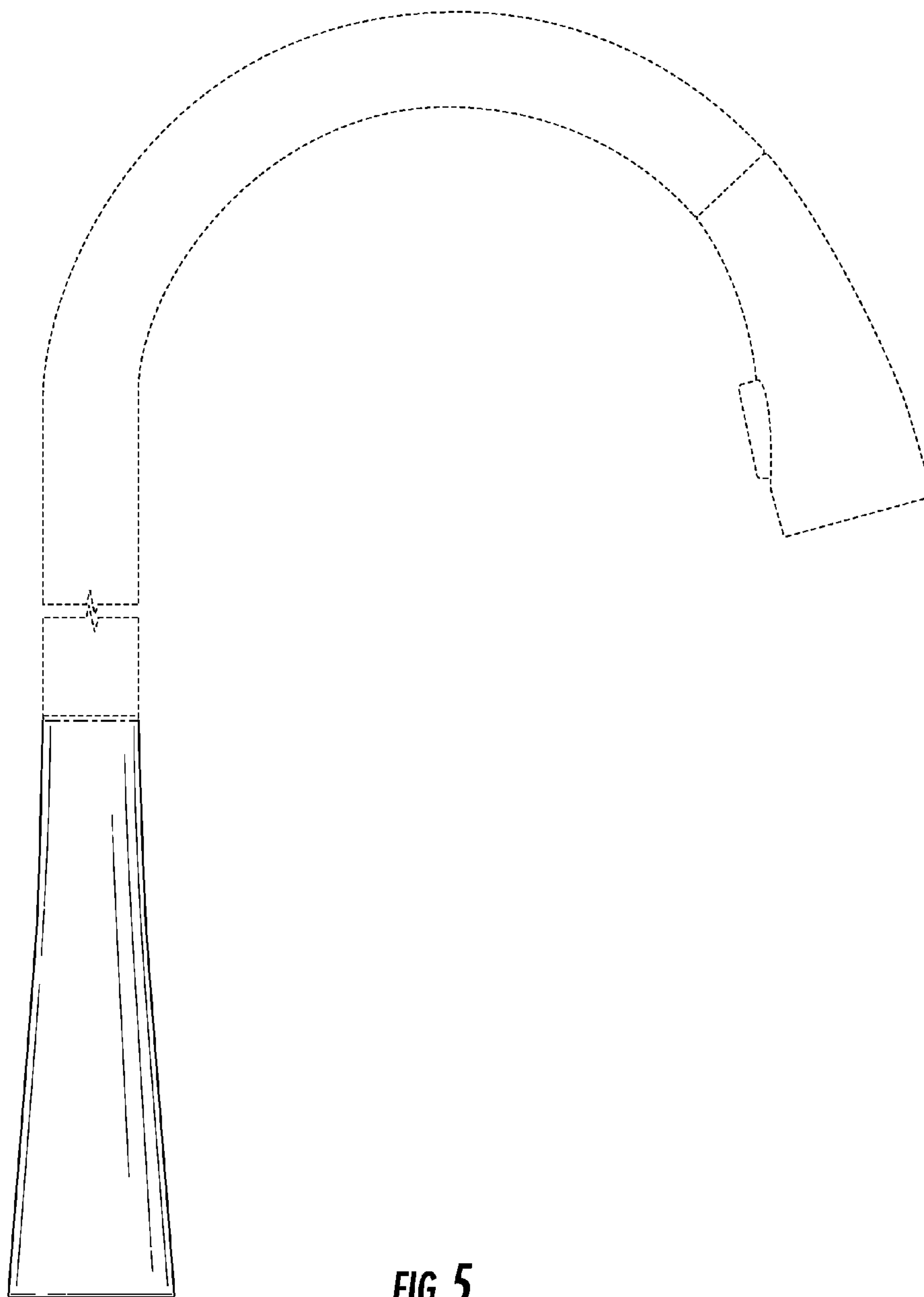
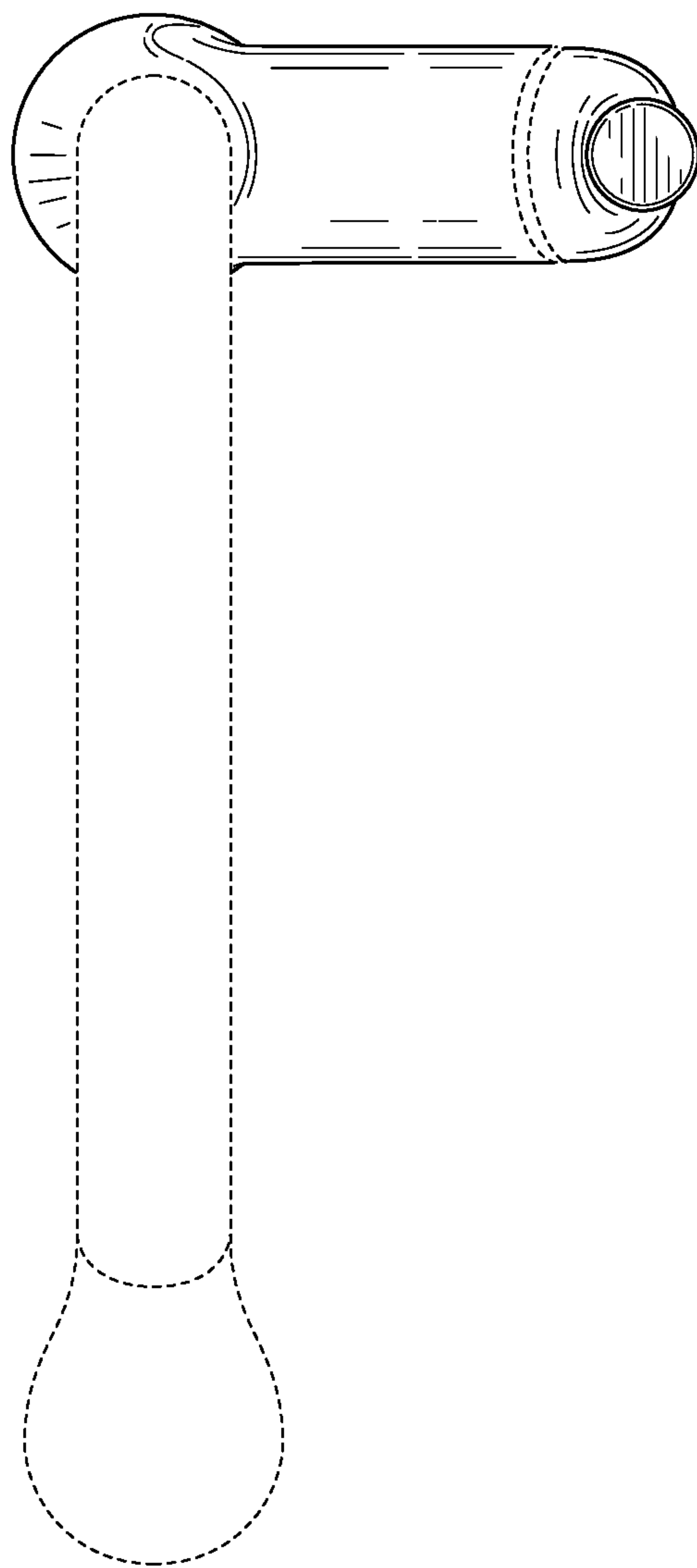
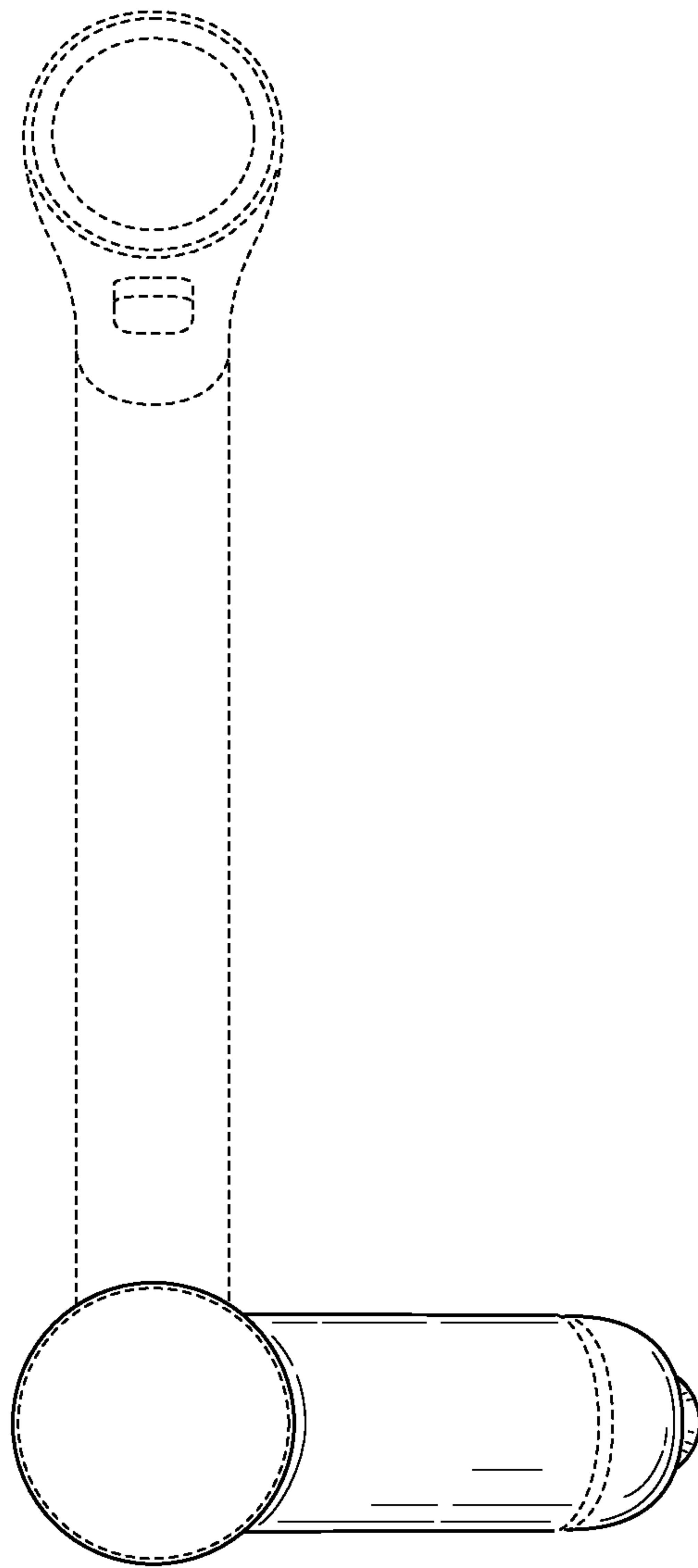


FIG. 5



**FIG. 6**



**FIG. 7**