



US00D713938S

(12) **United States Design Patent**
Mazz et al.

(10) **Patent No.:** **US D713,938 S**

(45) **Date of Patent:** **** Sep. 23, 2014**

(54) **FAUCET**

(71) Applicant: **Kohler Co.**, Kohler, WI (US)

(72) Inventors: **Margaret C. Mazz**, Sheboygan, WI (US); **Gregory de Swarte**, Sheboygan, WI (US); **Paul B. Georgeson**, Milwaukee, WI (US); **Rafael A. Rexach**, Sheboygan, WI (US)

(73) Assignee: **Kohler Co.**, Kohler, WI (US)

(**) Term: **14 Years**

(21) Appl. No.: **29/485,492**

(22) Filed: **Mar. 19, 2014**

Related U.S. Application Data

(62) Division of application No. 29/452,036, filed on Apr. 11, 2013, now Pat. No. Des. 703,789.

(51) **LOC (10) Cl.** **23-01**

(52) **U.S. Cl.**
USPC **D23/252**

(58) **Field of Classification Search**
USPC D23/238–243, 249–250, 252;
4/675–678; 137/801

See application file for complete search history.

(56) **References Cited**

U.S. PATENT DOCUMENTS

D332,135 S	12/1992	Bonnell
D334,230 S	3/1993	Bonnell
D383,831 S	9/1997	Esche et al.
D428,118 S	7/2000	McKeone
D428,965 S	8/2000	Slothower
D460,150 S	7/2002	Rexach
D499,795 S	12/2004	Bayer
D564,634 S	3/2008	Kirar

D566,241 S	4/2008	Barry
D575,848 S	8/2008	Kirar
D585,112 S	1/2009	Kohler et al.
D608,417 S	1/2010	Rubin et al.
D635,220 S	3/2011	Rubin et al.
D635,221 S	3/2011	Rubin et al.
D642,661 S	8/2011	Corbett
D667,933 S	9/2012	Kwok
D670,361 S	11/2012	Georgeson et al.
D676,117 S	2/2013	Georgeson et al.
D683,825 S	6/2013	Sofield
D684,242 S	6/2013	McKeone et al.
D689,595 S	9/2013	Georgeson

Primary Examiner — Robert Delehanty

(74) *Attorney, Agent, or Firm* — Foley & Lardner LLP

(57) **CLAIM**

We claim the ornamental design for a faucet, as shown and described.

DESCRIPTION

FIG. 1 is a top, front, right perspective view of an embodiment of the claimed design;

FIG. 2 is a front elevation view thereof;

FIG. 3 is a rear elevation view thereof;

FIG. 4 is a right elevation view thereof;

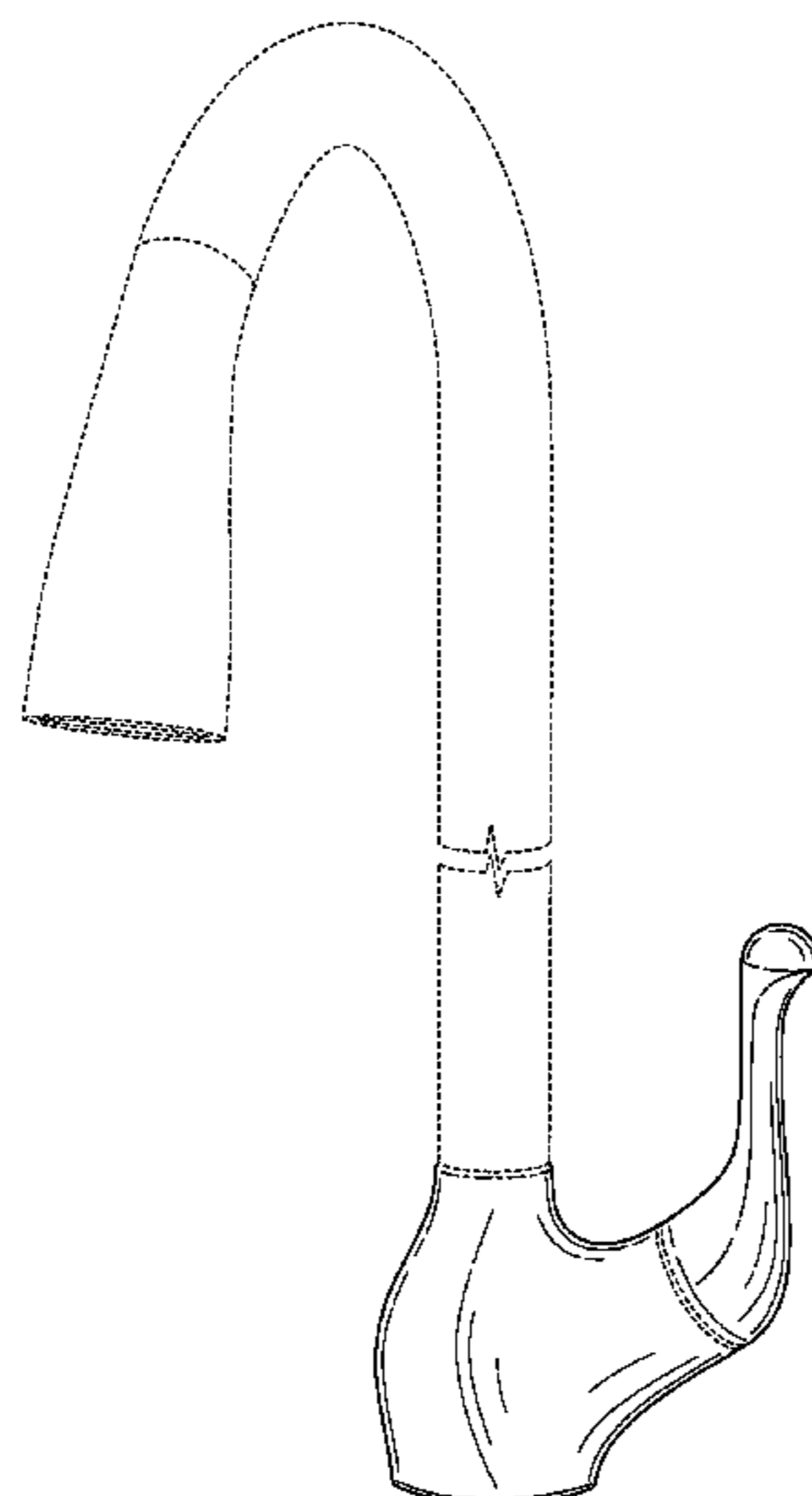
FIG. 5 is a left elevation view thereof;

FIG. 6 is a top plan view thereof; and,

FIG. 7 is a bottom plan view thereof.

The ornamental design which is claimed is shown in solid lines in the drawings. The broken lines in the drawings are for illustrative purposes only and form no part of the claimed design. Broken lines formed by equal length dashes show unclaimed portions of the design. Broken lines formed of unequal length dashes (i.e., dash-dot) show boundaries between claimed and unclaimed portions of the design. Broken lines having a jagged element show that the no particular length of the portion is claimed.

1 Claim, 7 Drawing Sheets



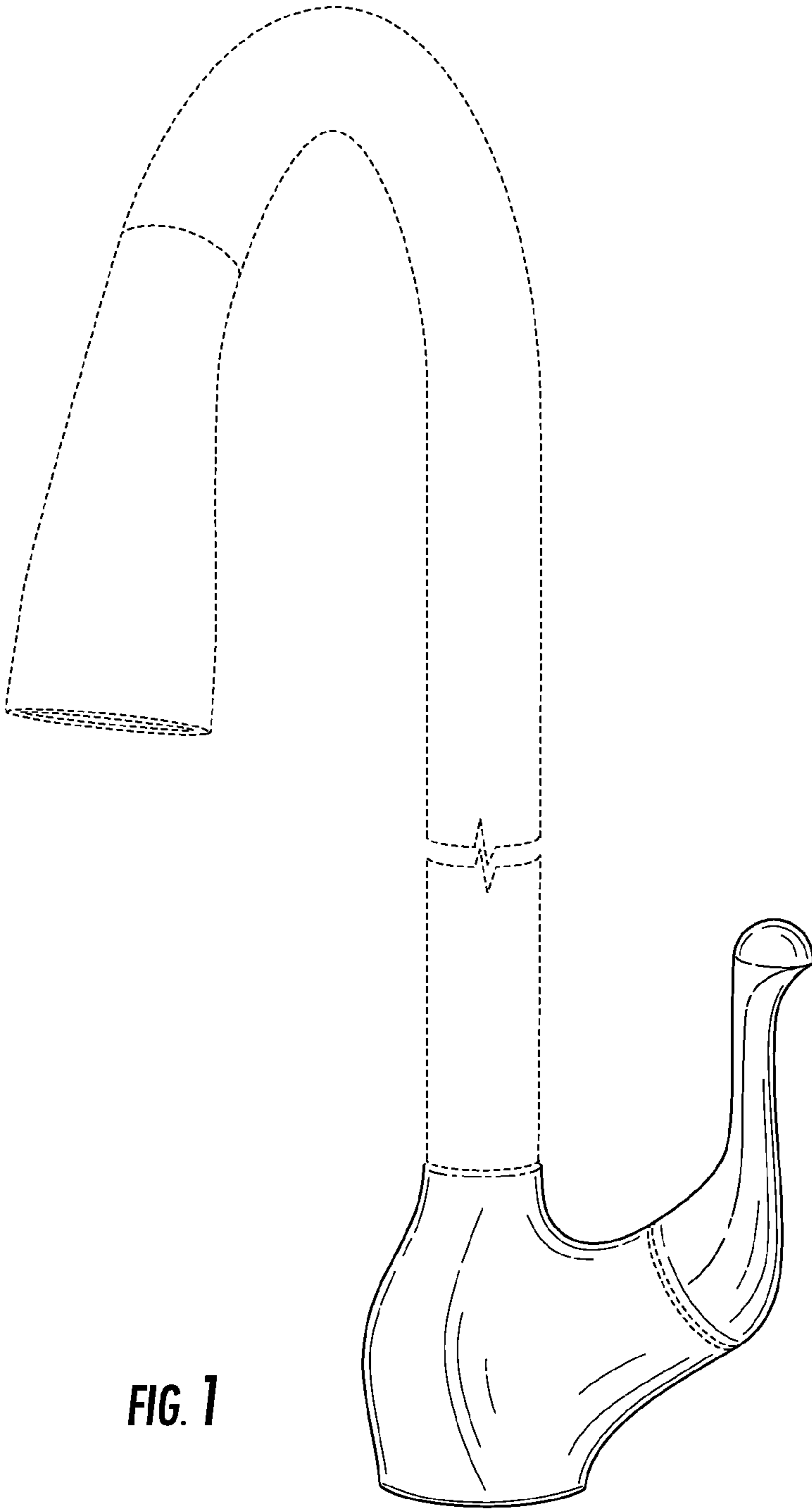


FIG. 1

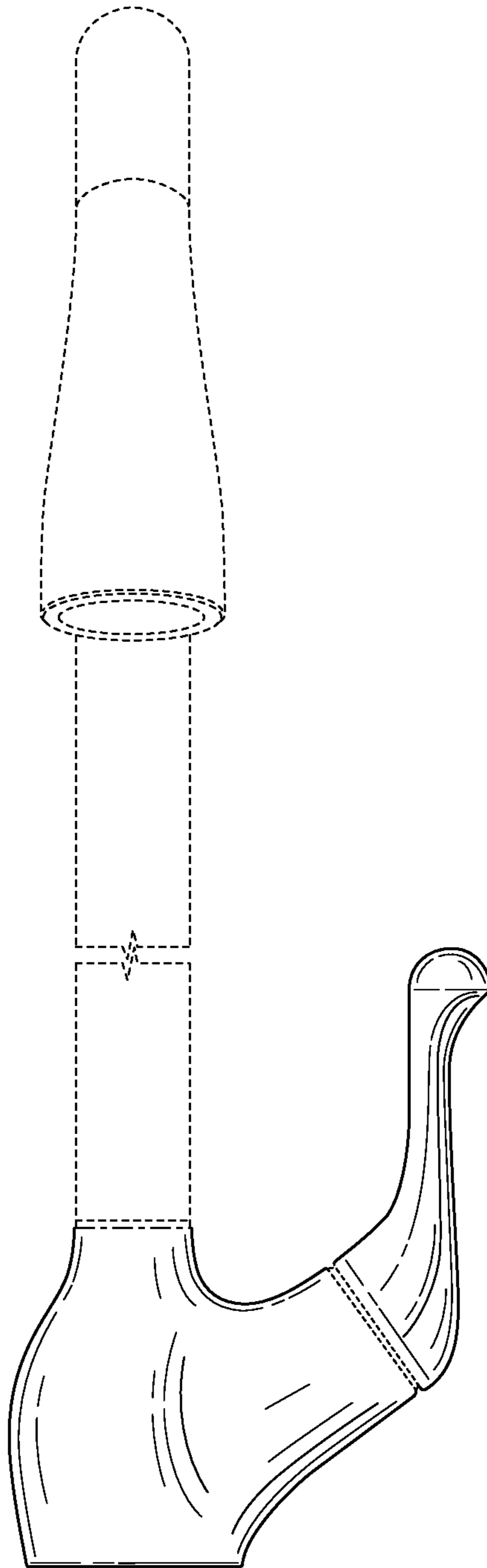


FIG. 2

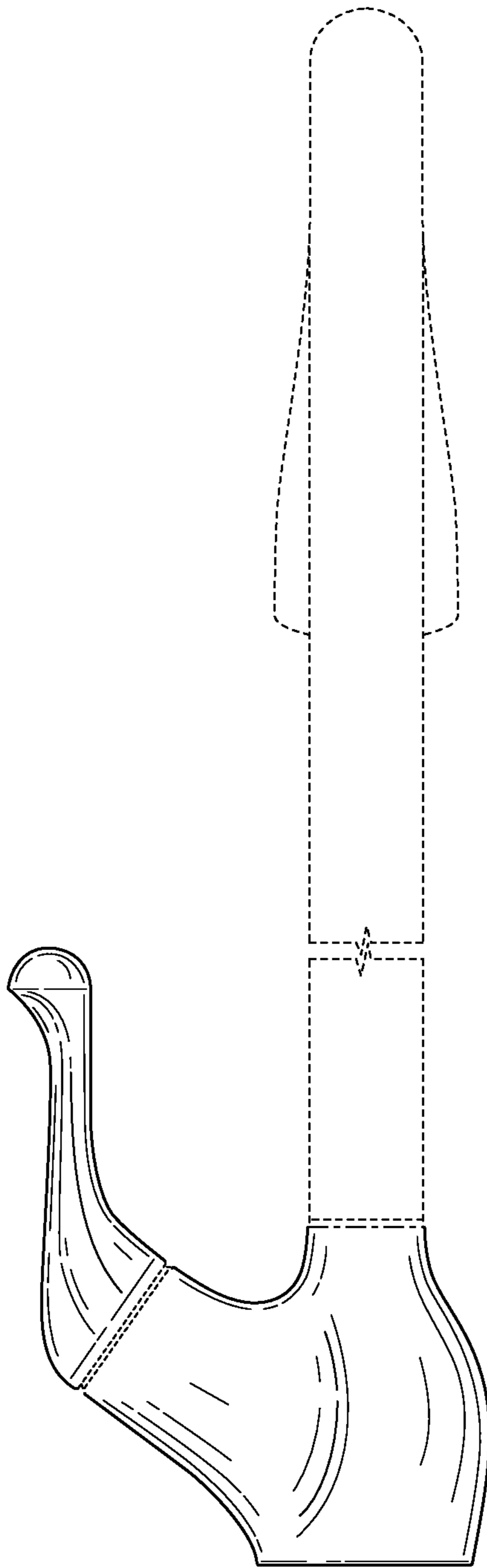


FIG. 3

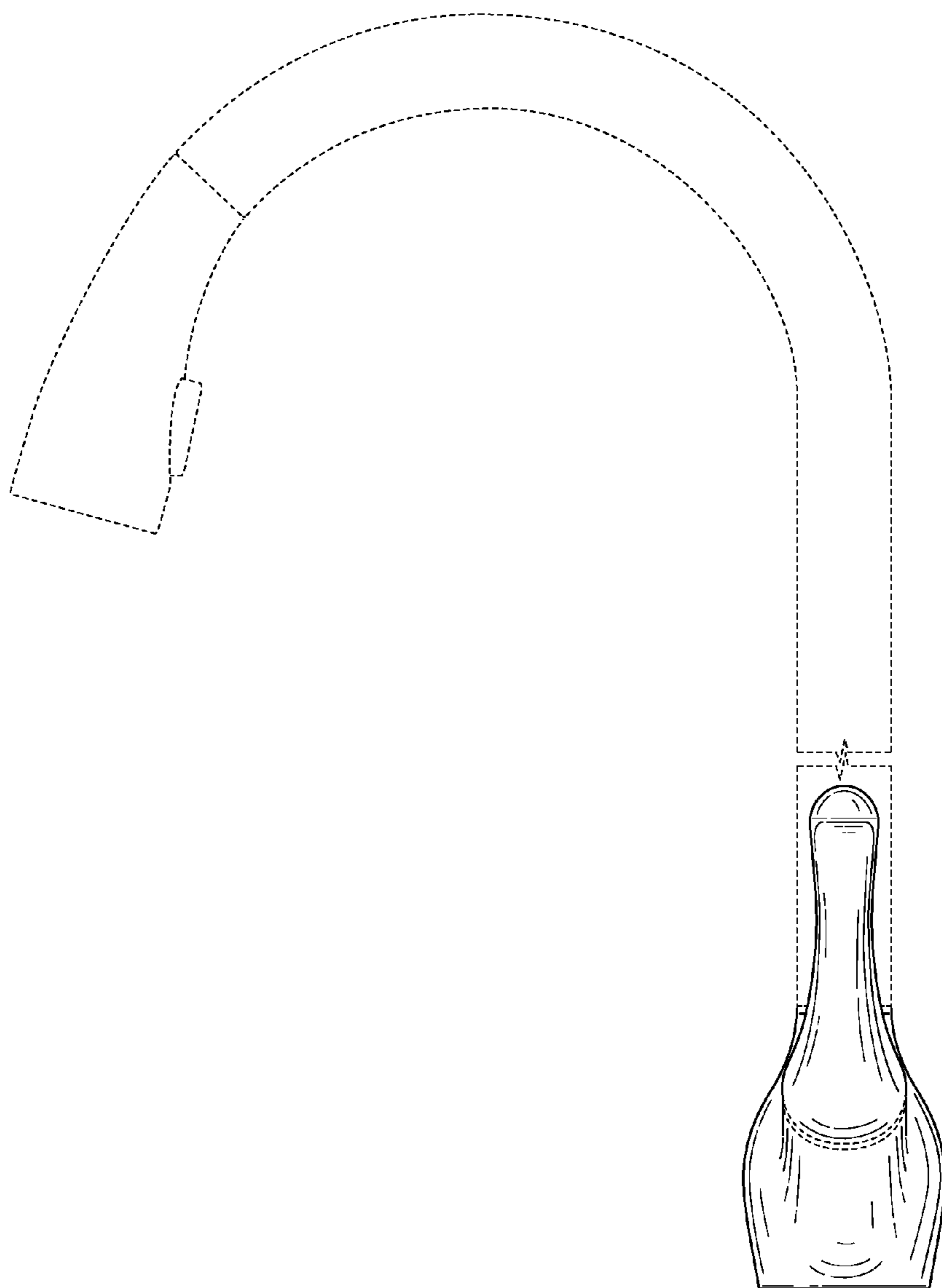


FIG. 4

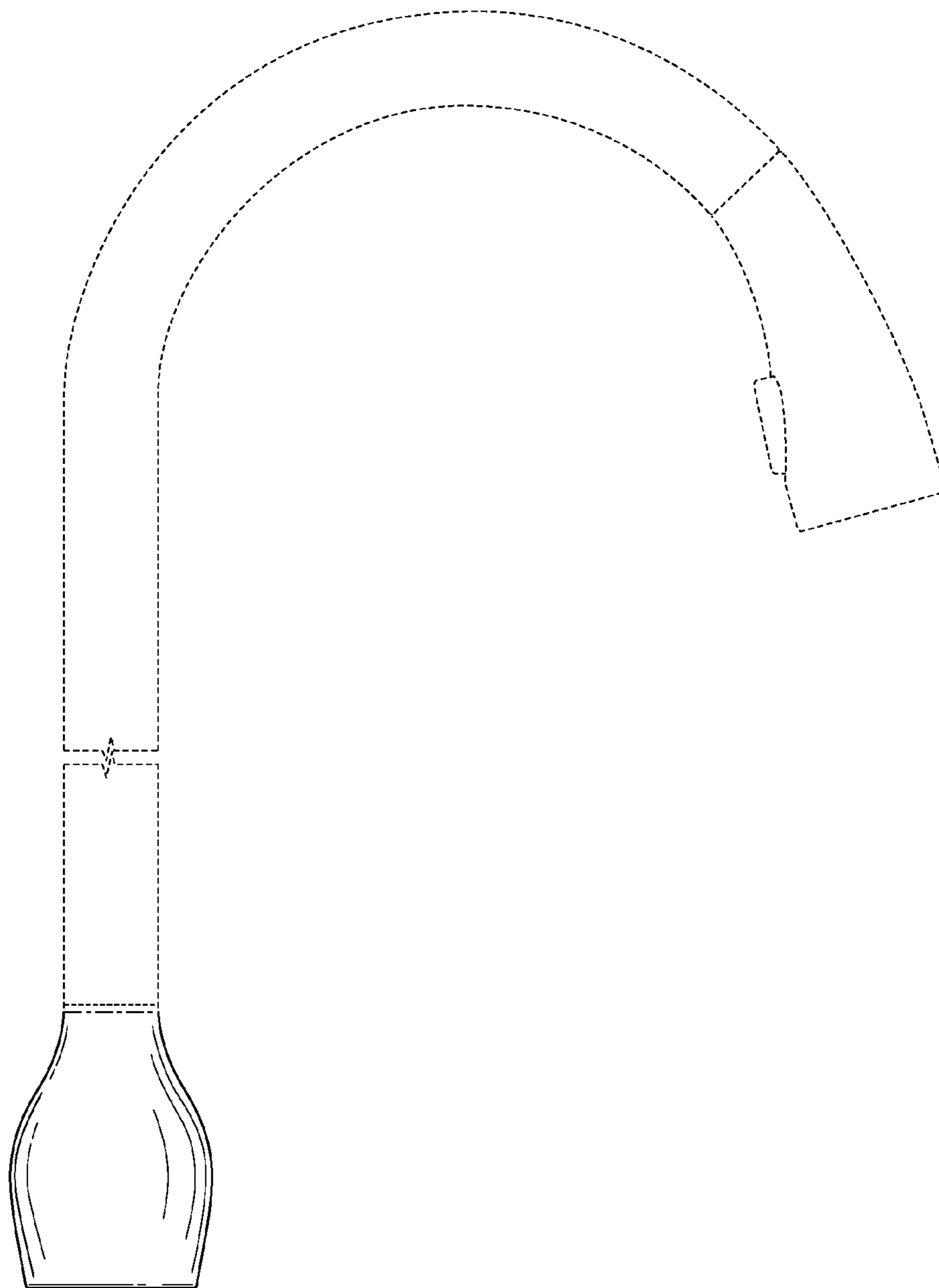


FIG. 5

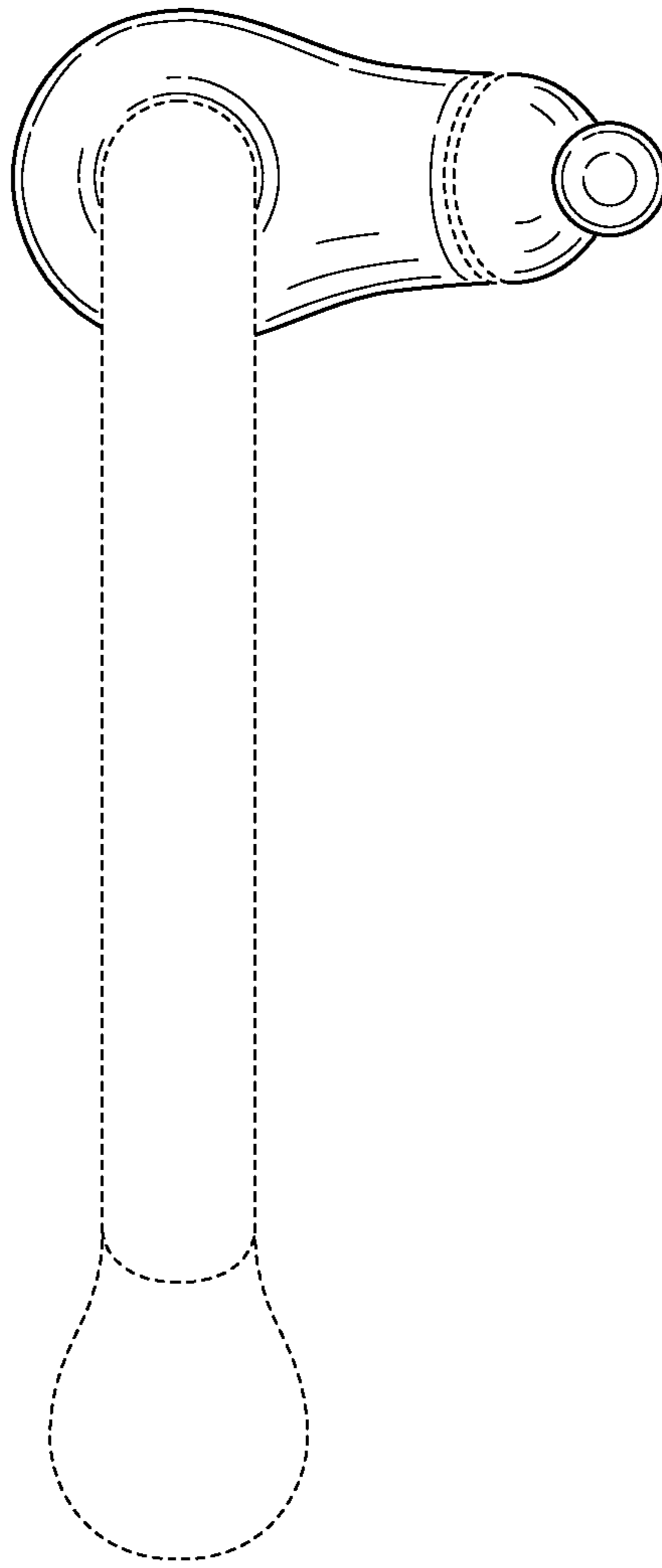


FIG. 6

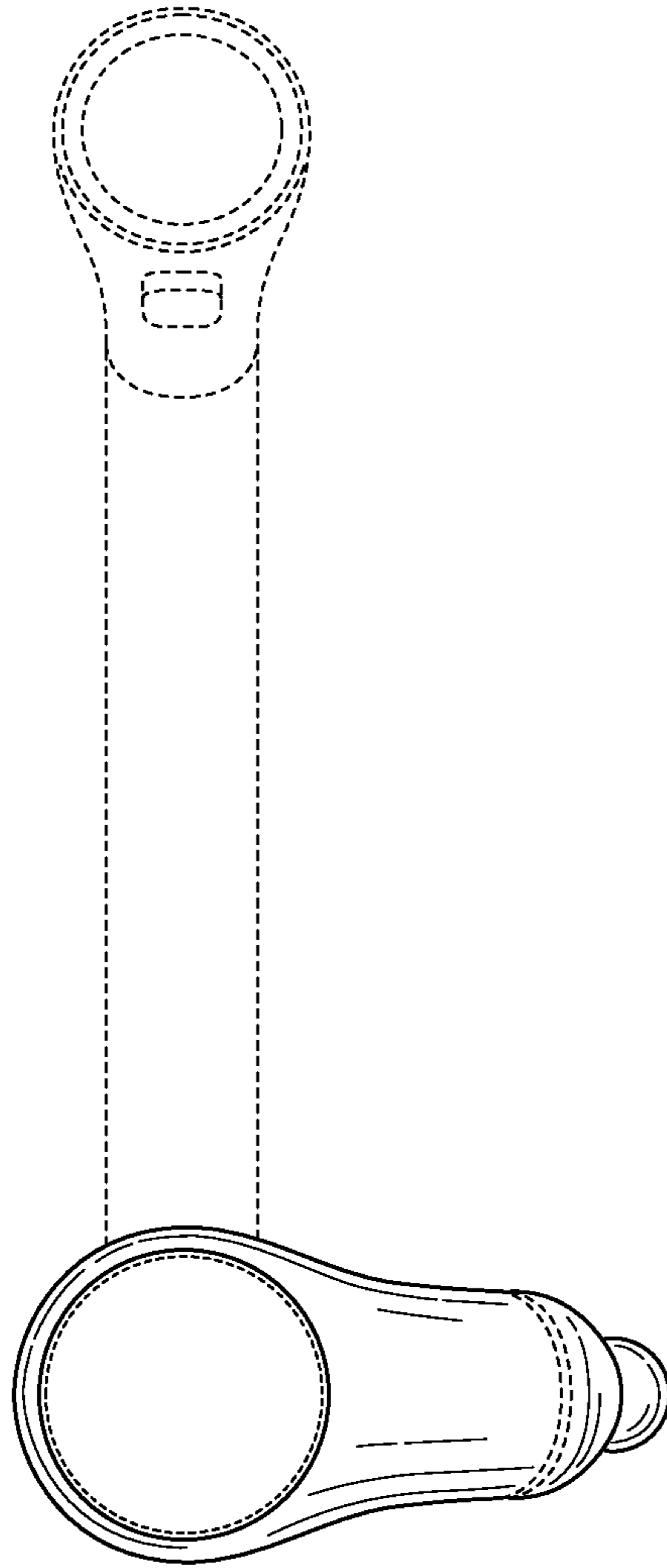


FIG. 7