



US00D713936S

(12) **United States Design Patent**
Antoniello

(10) **Patent No.:** **US D713,936 S**

(45) **Date of Patent:** **** Sep. 23, 2014**

(54) **FAUCET**

(71) Applicant: **Frank Antoniello**, Commack, NY (US)

(72) Inventor: **Frank Antoniello**, Commack, NY (US)

(**) Term: **14 Years**

(21) Appl. No.: **29/481,437**

(22) Filed: **Feb. 5, 2014**

(51) **LOC (10) Cl.** **23-01**

(52) **U.S. Cl.**
USPC **D23/241**

(58) **Field of Classification Search**
CPC .. E03C 1/0401; E03C 1/04; E03C 2001/0415
USPC D23/238, 241-243, 250, 252, 255, 257
See application file for complete search history.

(56) **References Cited**

U.S. PATENT DOCUMENTS

D323,700 S * 2/1992 Wilde D23/241
D350,591 S * 9/1994 Kawakami D23/238
D415,560 S * 10/1999 Lindholm D23/238
D479,870 S * 9/2003 Hung D23/241

D522,091 S * 5/2006 Chang D23/238
D529,996 S * 10/2006 Martinez D23/238
7,296,588 B1 * 11/2007 Hwang 4/677
D687,517 S * 8/2013 Miles et al. D23/238

* cited by examiner

Primary Examiner — Robert Delehanty

(74) *Attorney, Agent, or Firm* — Harvey Lunenfeld

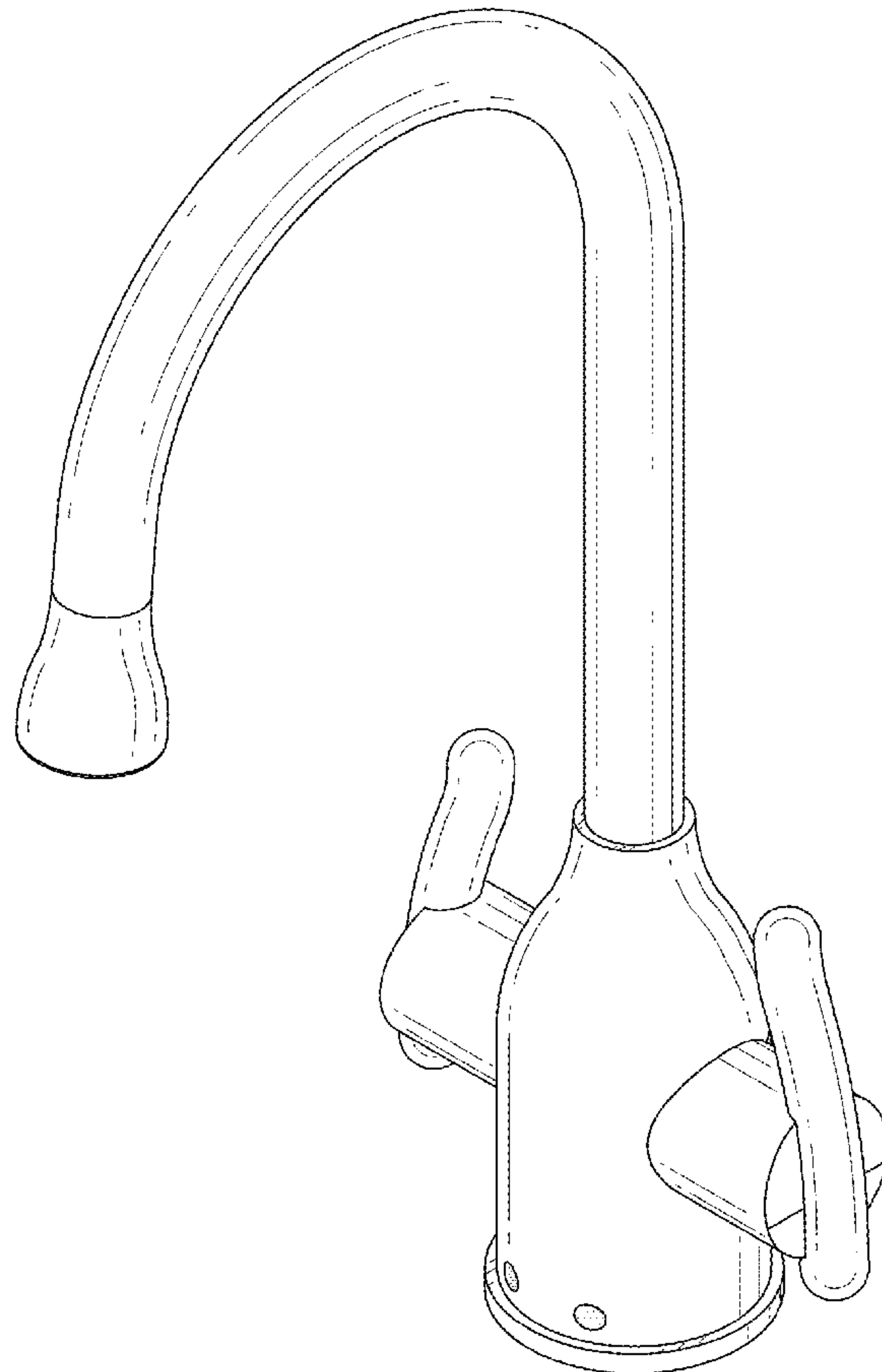
(57) **CLAIM**

The ornamental design for a faucet, as shown and described.

DESCRIPTION

FIG. 1 is a perspective view of a faucet, showing my new design;
FIG. 2 is a front elevation view thereof;
FIG. 3 is a rear elevation view thereof;
FIG. 4 is a side elevation view thereof;
FIG. 5 is a another side elevation view thereof;
FIG. 6 is a top plan view thereof; and,
FIG. 7 is a bottom plan view thereof, the broken line showing of portions of spout and base portions thereof shown for illustrative purposes only and forming no part of the claimed design.

1 Claim, 6 Drawing Sheets



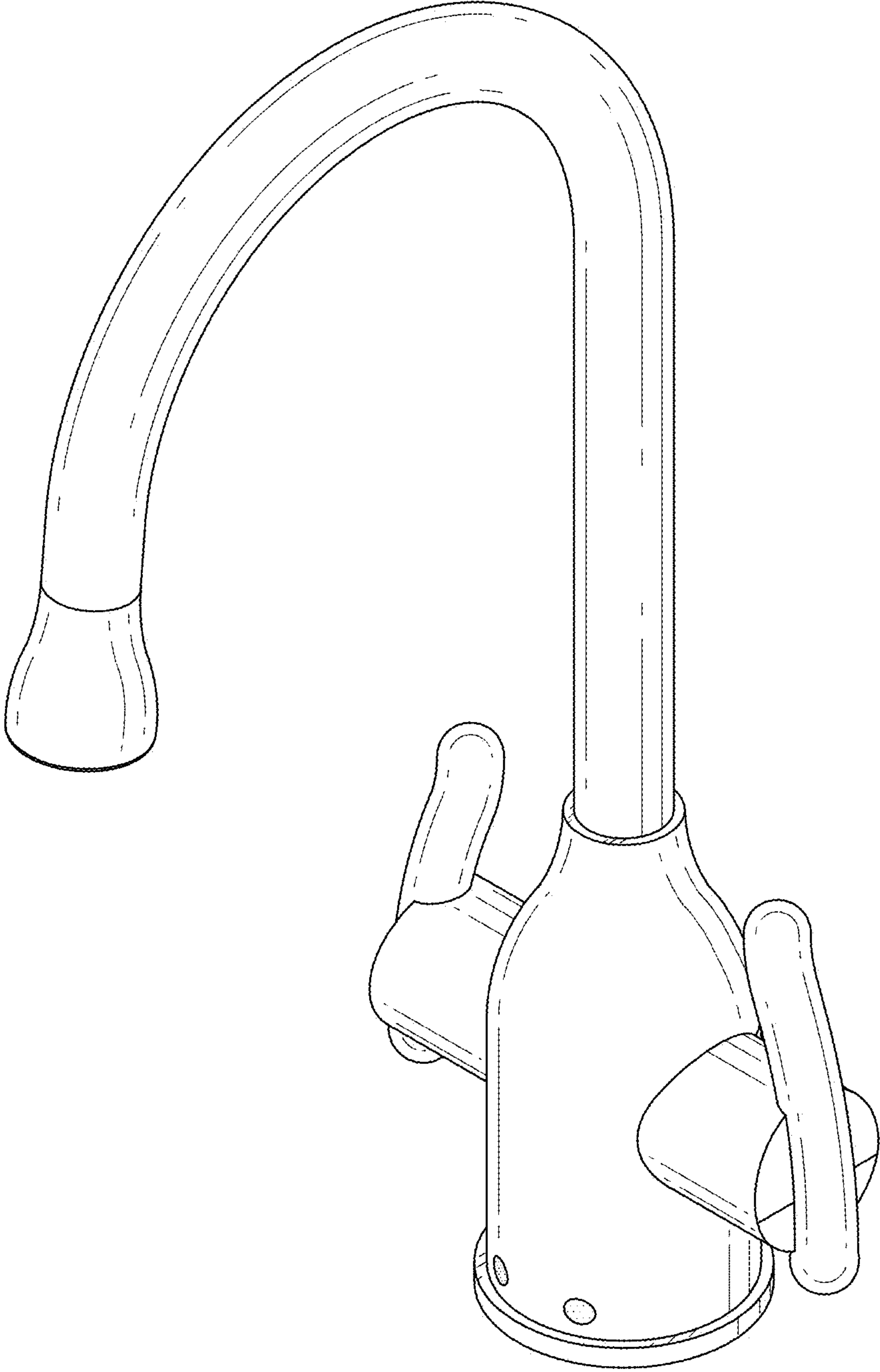


FIG. 1

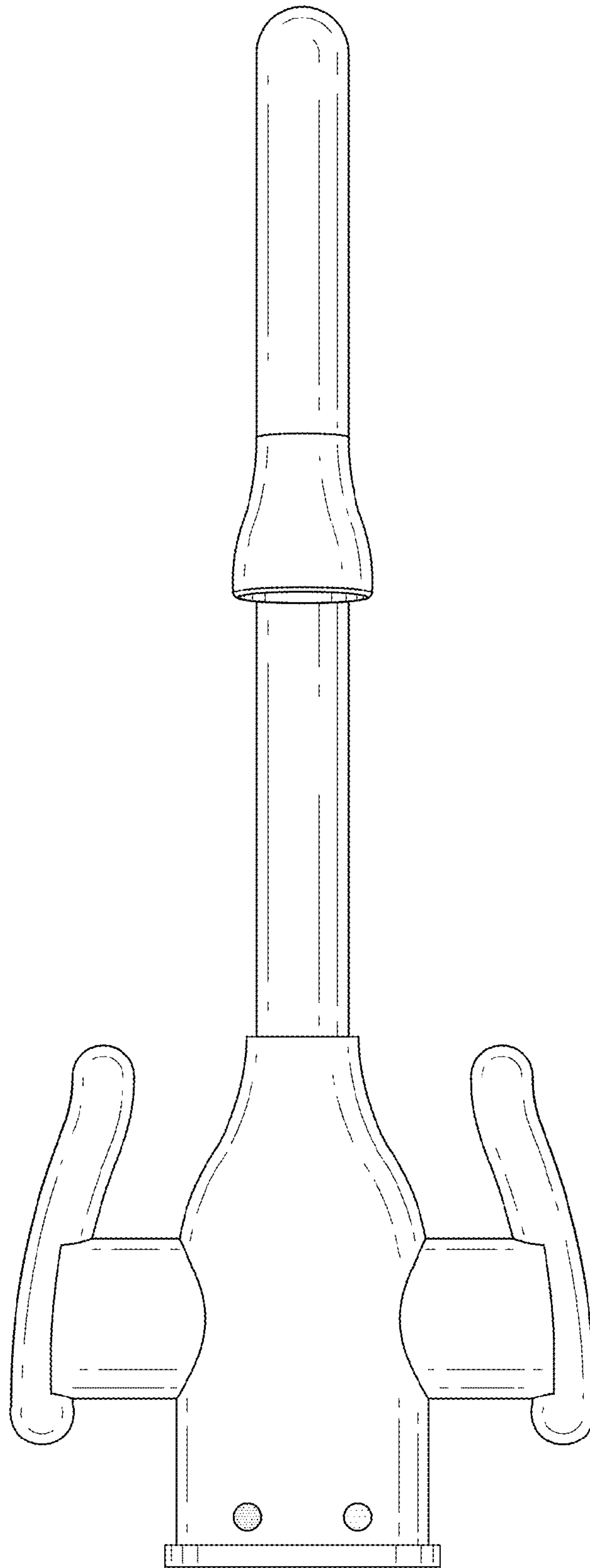


FIG. 2

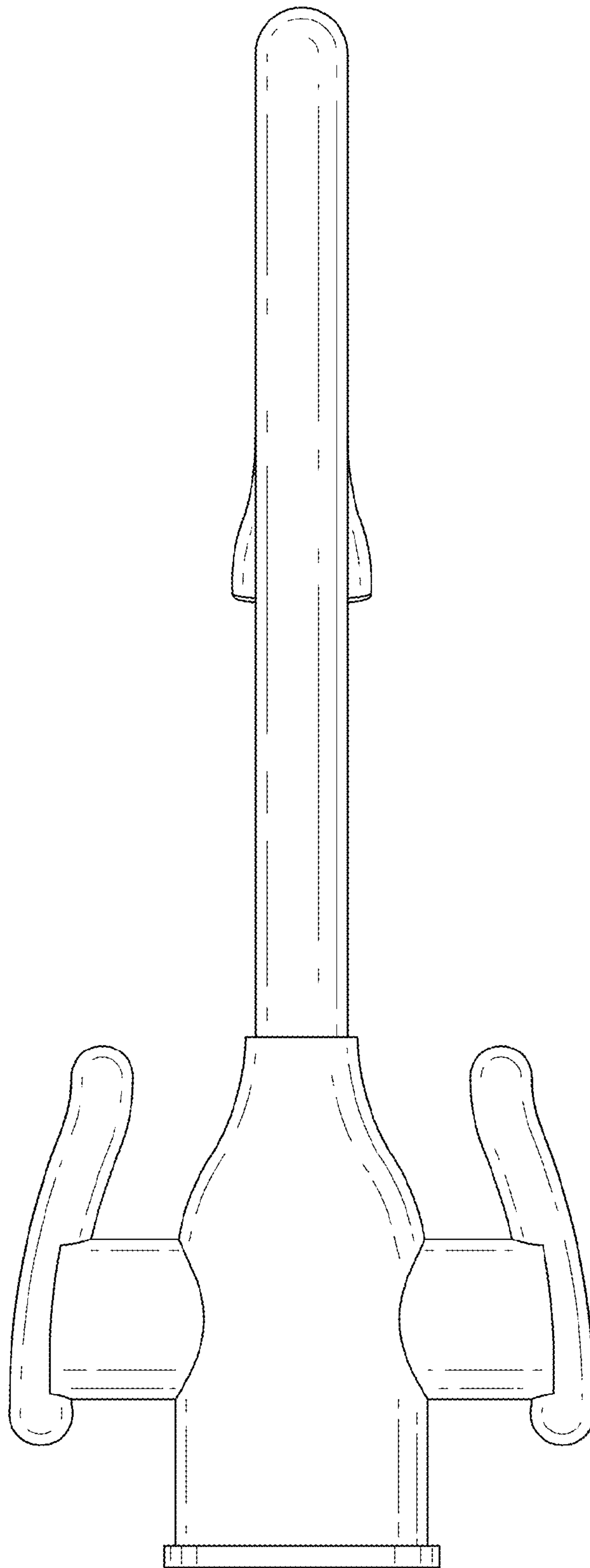


FIG. 3

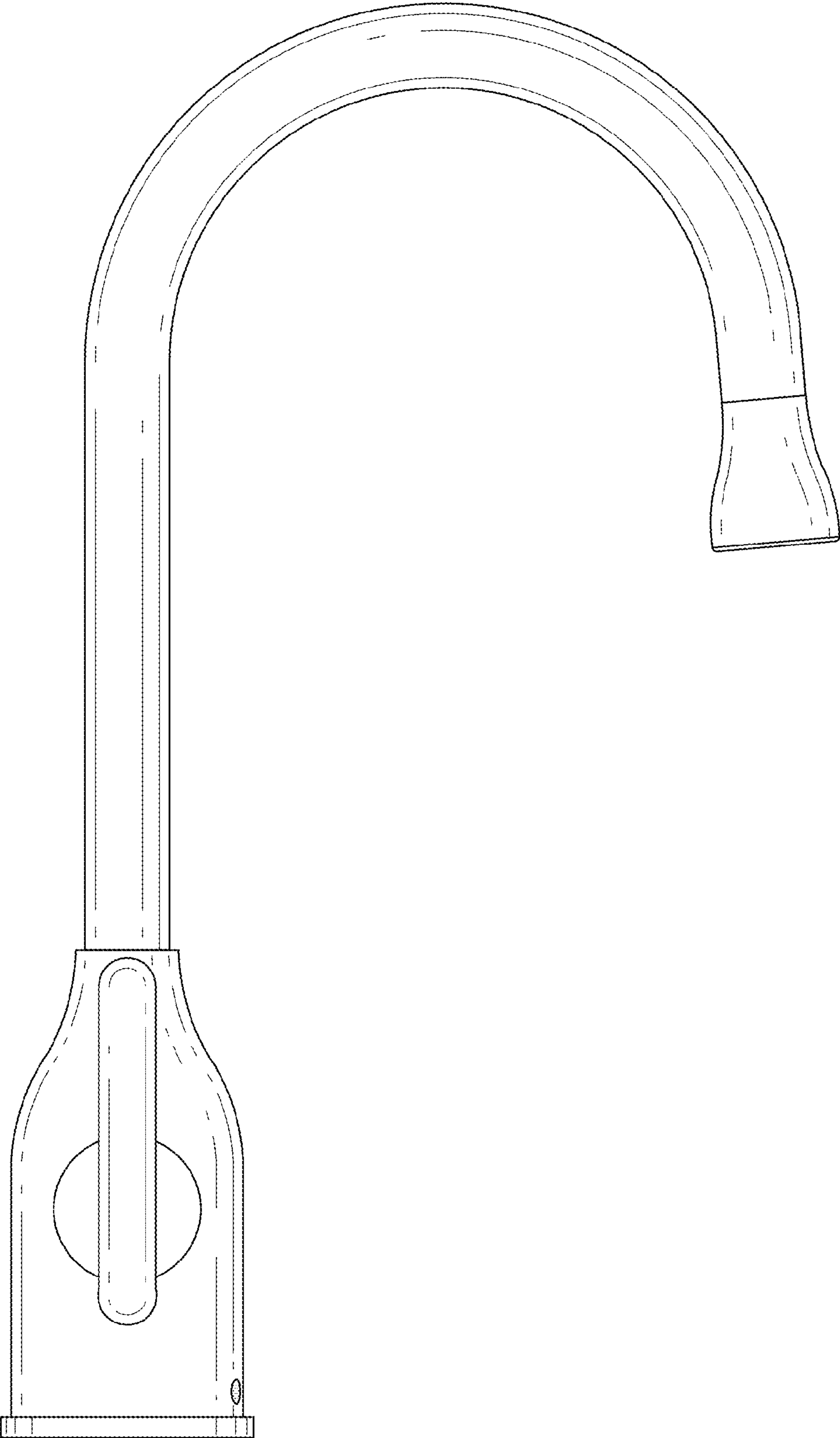


FIG. 4

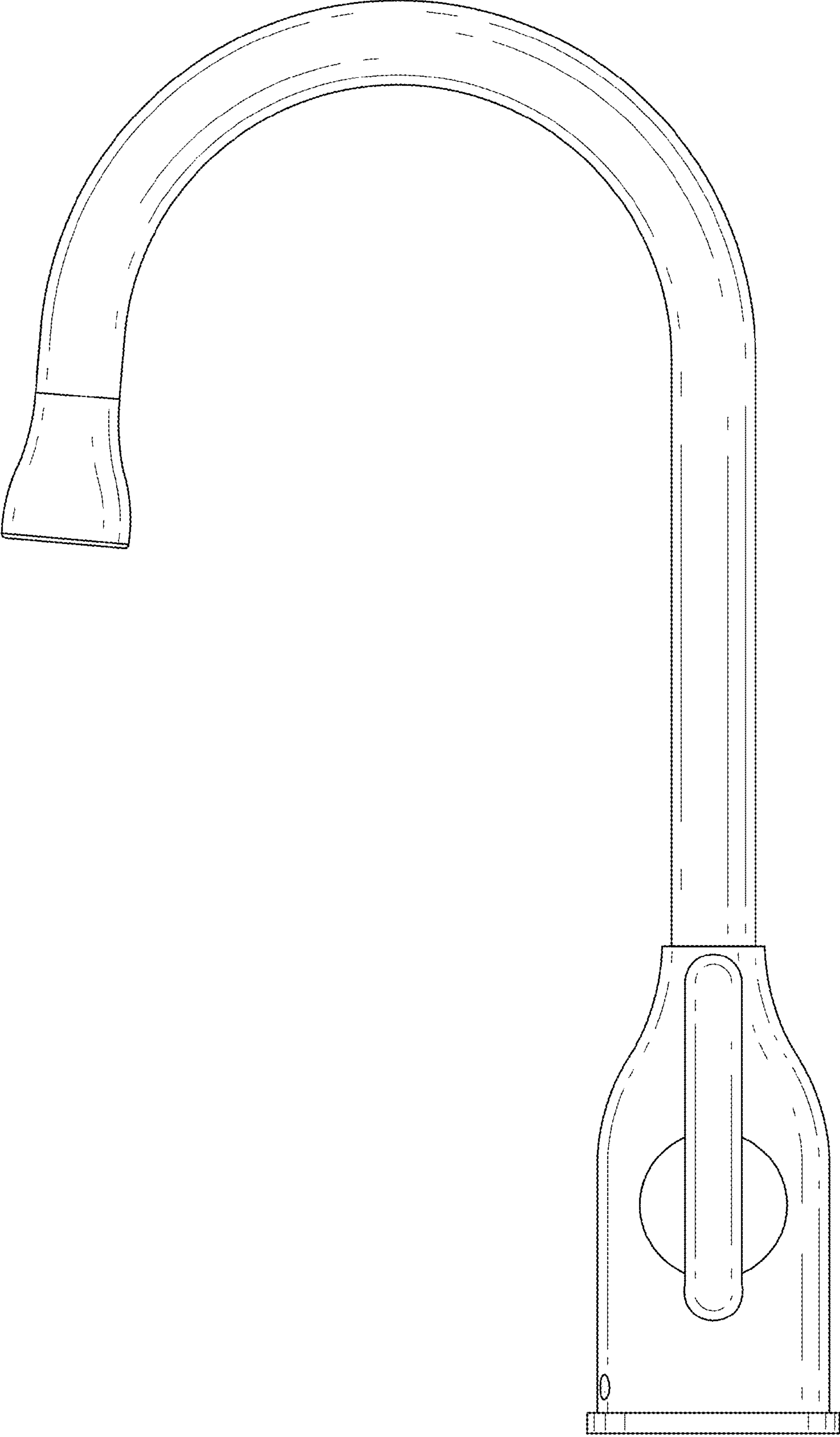


FIG. 5

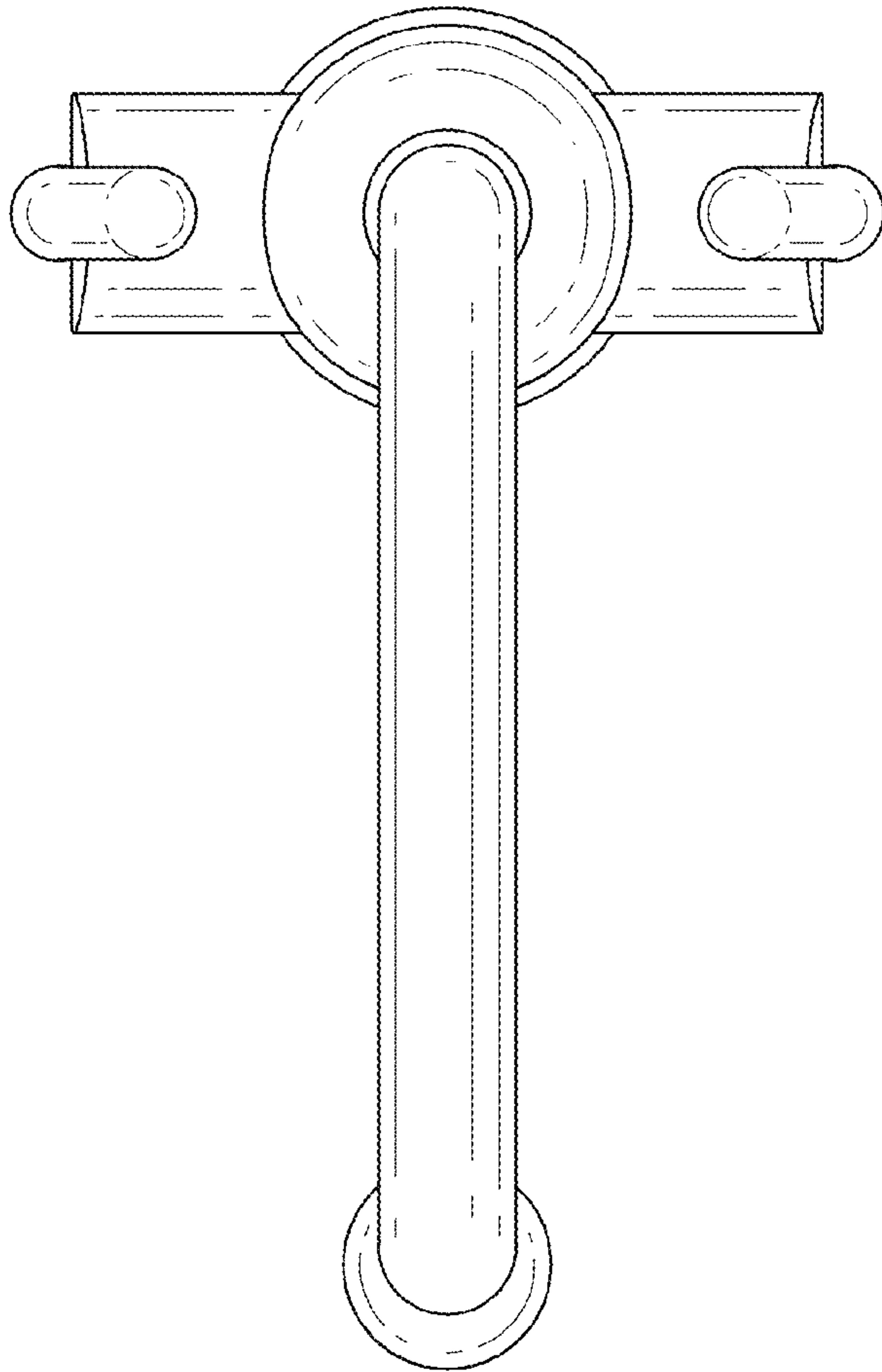


FIG. 6

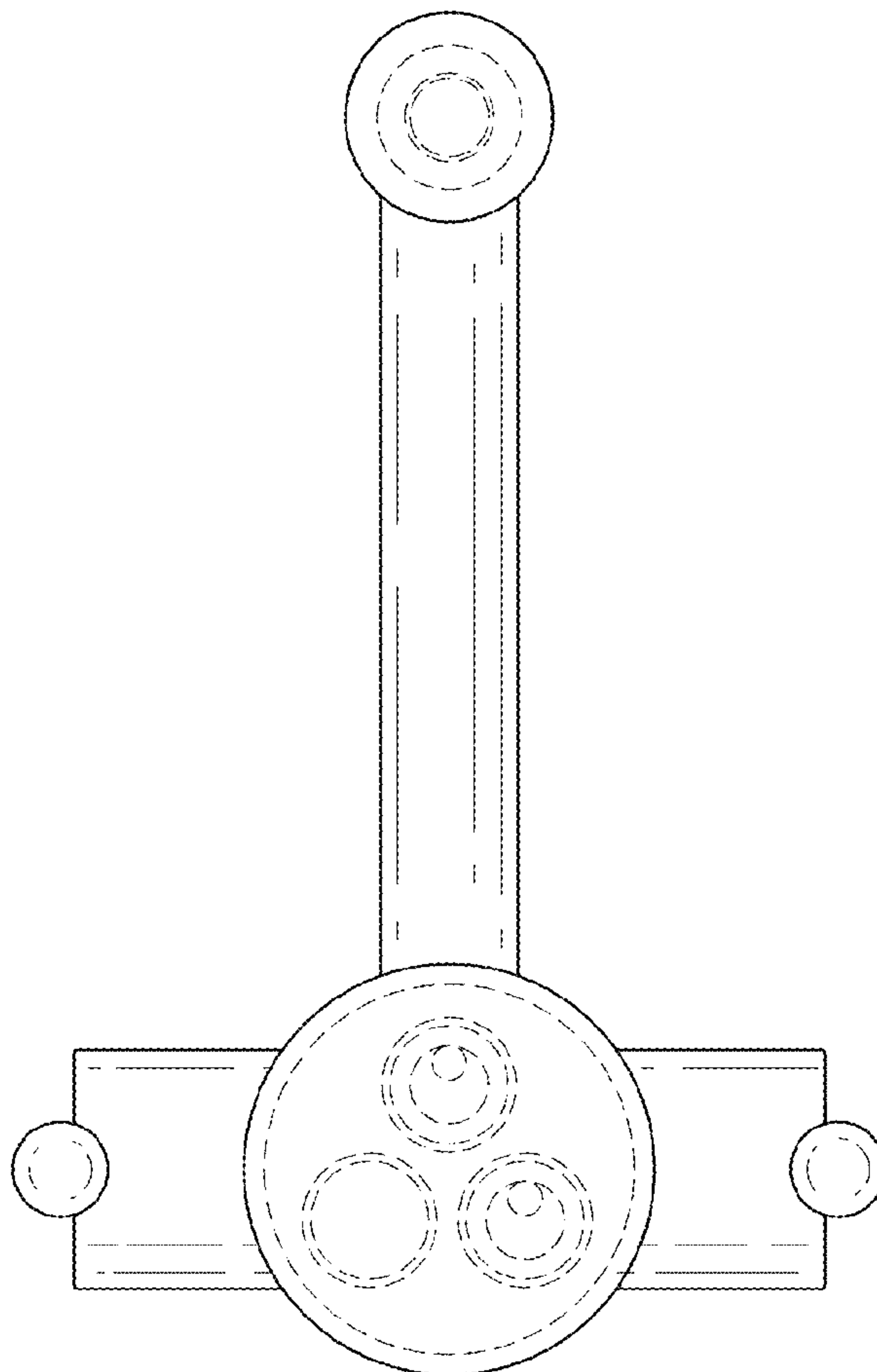


FIG. 7