



US00D713935S

(12) **United States Design Patent**
Fox et al.

(10) **Patent No.:** **US D713,935 S**
(45) **Date of Patent:** **** Sep. 23, 2014**

(54) **LIMITED SLIP DIFFERENTIAL**

(71) Applicant: **Eaton Corporation**, Cleveland, OH (US)

(72) Inventors: **Matthew G. Fox**, Ceresco, MI (US); **Andrew N. Edler**, Homer, MI (US); **Scott M. Besemer**, Battle Creek, MI (US); **Christian Chimner**, Royal Oak, MI (US)

(73) Assignee: **Eaton Corporation**, Cleveland, OH (US)

(**) Term: **14 Years**

(21) Appl. No.: **29/456,974**

(22) Filed: **Jun. 5, 2013**

(51) **LOC (10) Cl.** **23-01**

(52) **U.S. Cl.**
USPC **D23/235**

(58) **Field of Classification Search**
USPC D23/233–237, 244–249; 137/505, 137/505.42, 116.3; 251/288, 337; 475/231, 475/249
See application file for complete search history.

6,371,880 B1 4/2002 Kam
D460,526 S * 7/2002 Weingarten D23/244
6,462,655 B1 10/2002 Ha
6,488,606 B1 12/2002 Young et al.
6,692,396 B1 2/2004 Grogg et al.
6,733,411 B1 5/2004 Kaplan et al.
D496,091 S * 9/2004 Katzman et al. D23/235
D504,715 S * 5/2005 Hagihara D23/235
7,318,511 B2 1/2008 Grogg
7,341,136 B2 3/2008 Park
7,357,748 B2 4/2008 Kelley, Jr.
D620,555 S * 7/2010 Chuang et al. D23/233
D622,350 S * 8/2010 Gramegna et al. D23/233
D629,493 S * 12/2010 Dane et al. D23/233
D637,270 S * 5/2011 Nicolia et al. D23/235
D676,110 S * 2/2013 Oike et al. D23/233
D681,172 S * 4/2013 Fujita D23/248
D687,124 S * 7/2013 Weingarten D23/233
D691,703 S * 10/2013 Iranyi et al. D23/233
D692,100 S * 10/2013 Freeth D23/233
D700,954 S * 3/2014 Weingarten D23/233

* cited by examiner

Primary Examiner — Cynthia Ramirez
(74) *Attorney, Agent, or Firm* — Remarck Law Group PLC

(57) **CLAIM**
The ornamental design for a limited slip differential, as shown and described.

DESCRIPTION

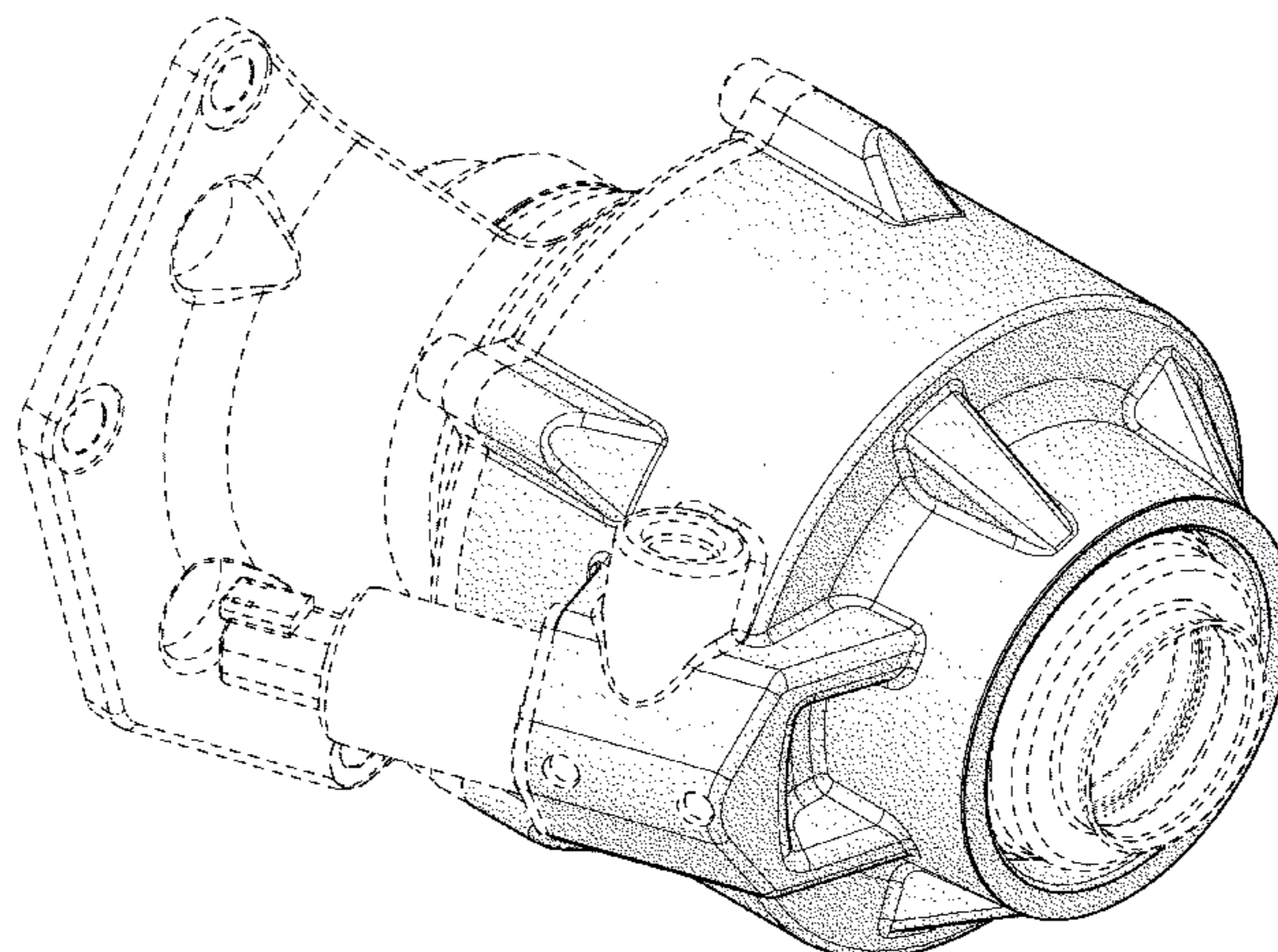
FIG. 1 is a perspective view of a limited slip differential showing our new design;
FIG. 2 is a first side view thereof;
FIG. 3 is a second side view thereof;
FIG. 4 is a top view thereof;
FIG. 5 is a bottom view thereof;
FIG. 6 is a front view thereof; and,
FIG. 7 is a rear view thereof.
The broken line showing in the figures is included for the purpose of illustrating portions of the limited slip differential and forms no part of the claimed design.

1 Claim, 7 Drawing Sheets

(56) **References Cited**

U.S. PATENT DOCUMENTS

D215,438 S * 10/1969 Holm D23/233
D228,234 S * 8/1973 Willetts D23/245
3,831,462 A 8/1974 Baremor
D236,980 S * 9/1975 Callhan et al. D23/233
3,964,346 A 6/1976 Myers, Sr.
D370,054 S * 5/1996 Nakadaira et al. D23/245
D386,985 S * 12/1997 Cameron D10/40
5,741,199 A 4/1998 Tanser et al.
5,839,327 A 11/1998 Gage
D403,049 S * 12/1998 Ohtani et al. D23/233
5,938,558 A 8/1999 Eybergen et al.
6,001,040 A 12/1999 Engle
6,168,545 B1 1/2001 Lowell



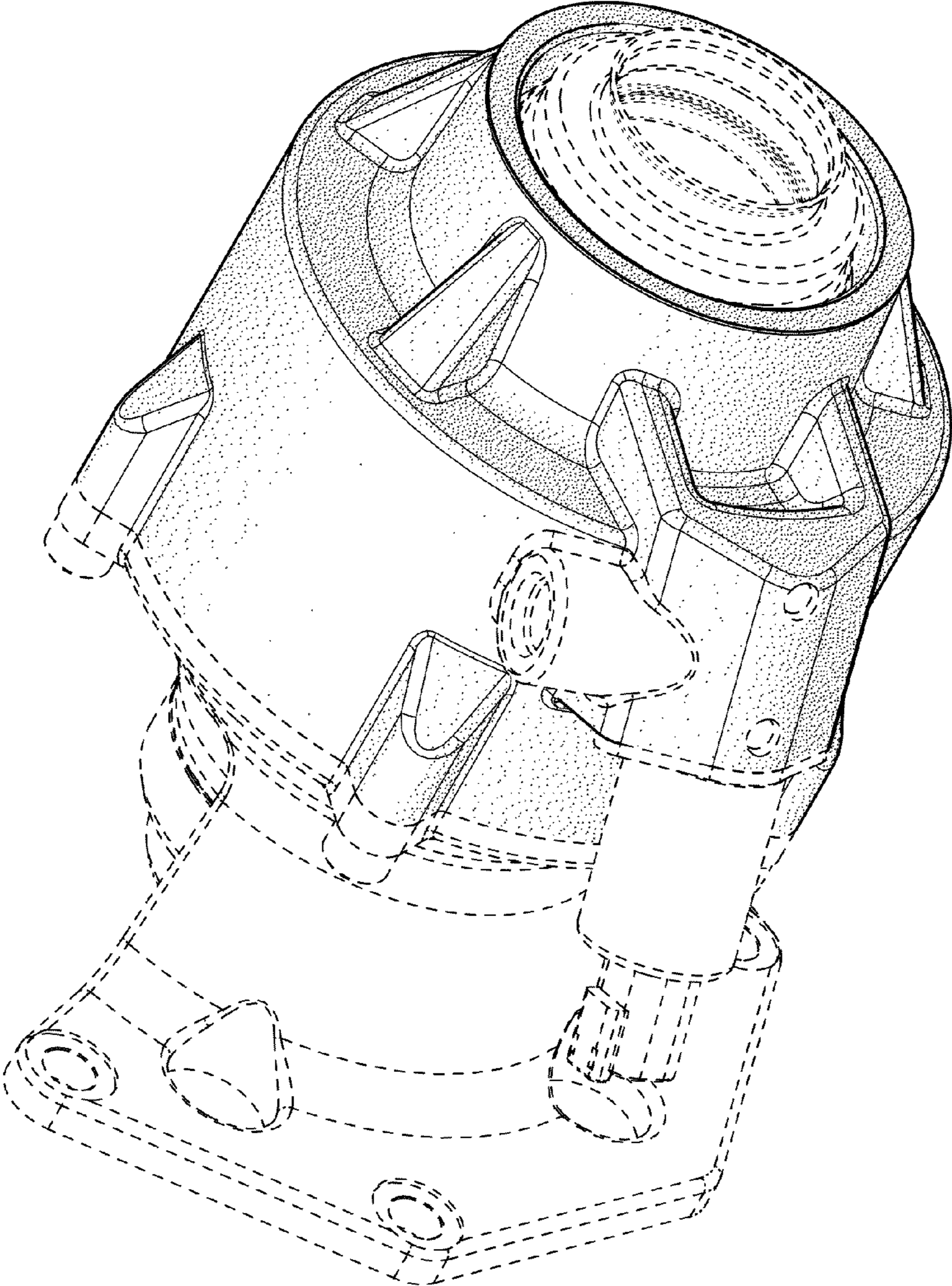


FIG. 1

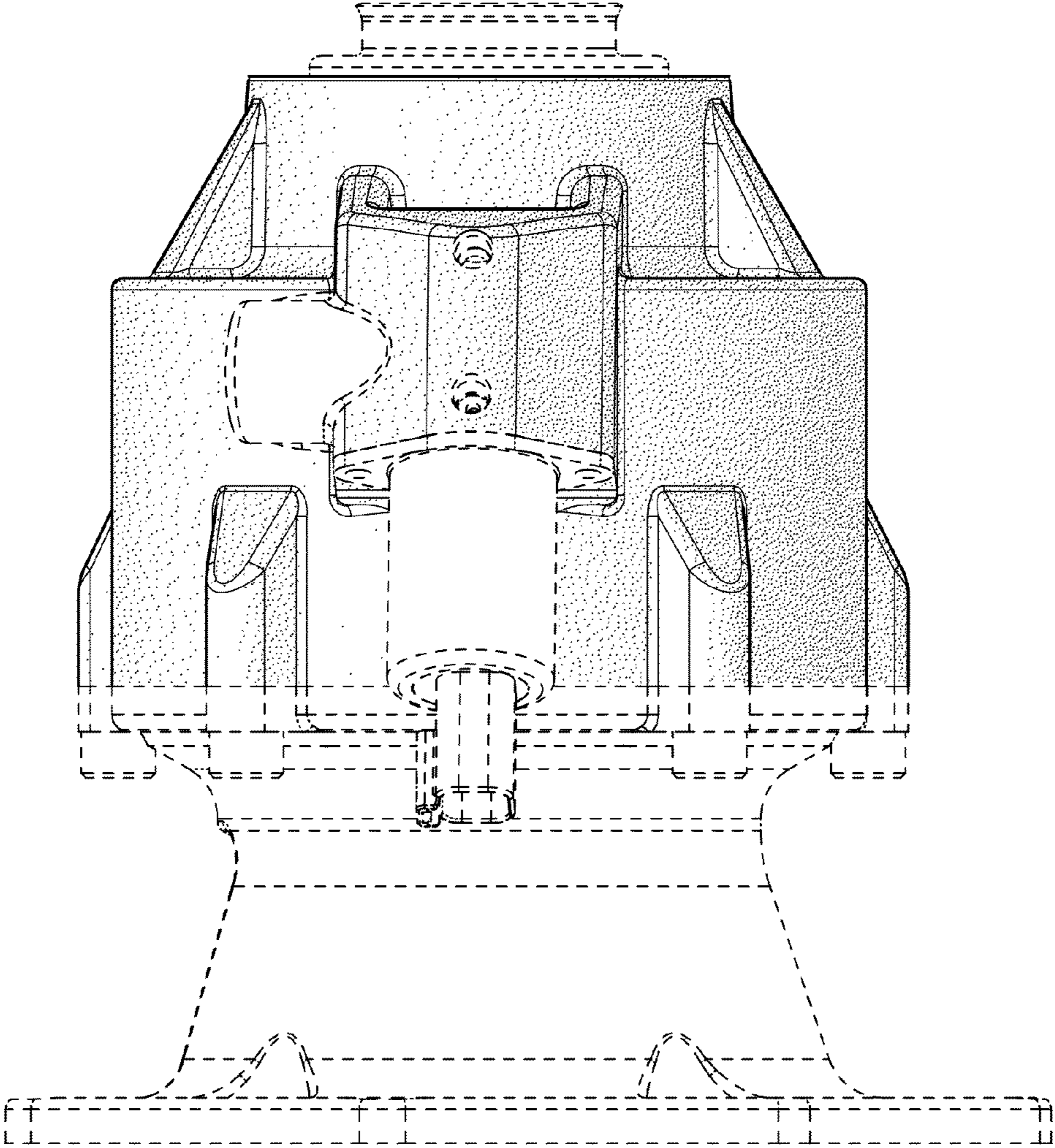


FIG. 2

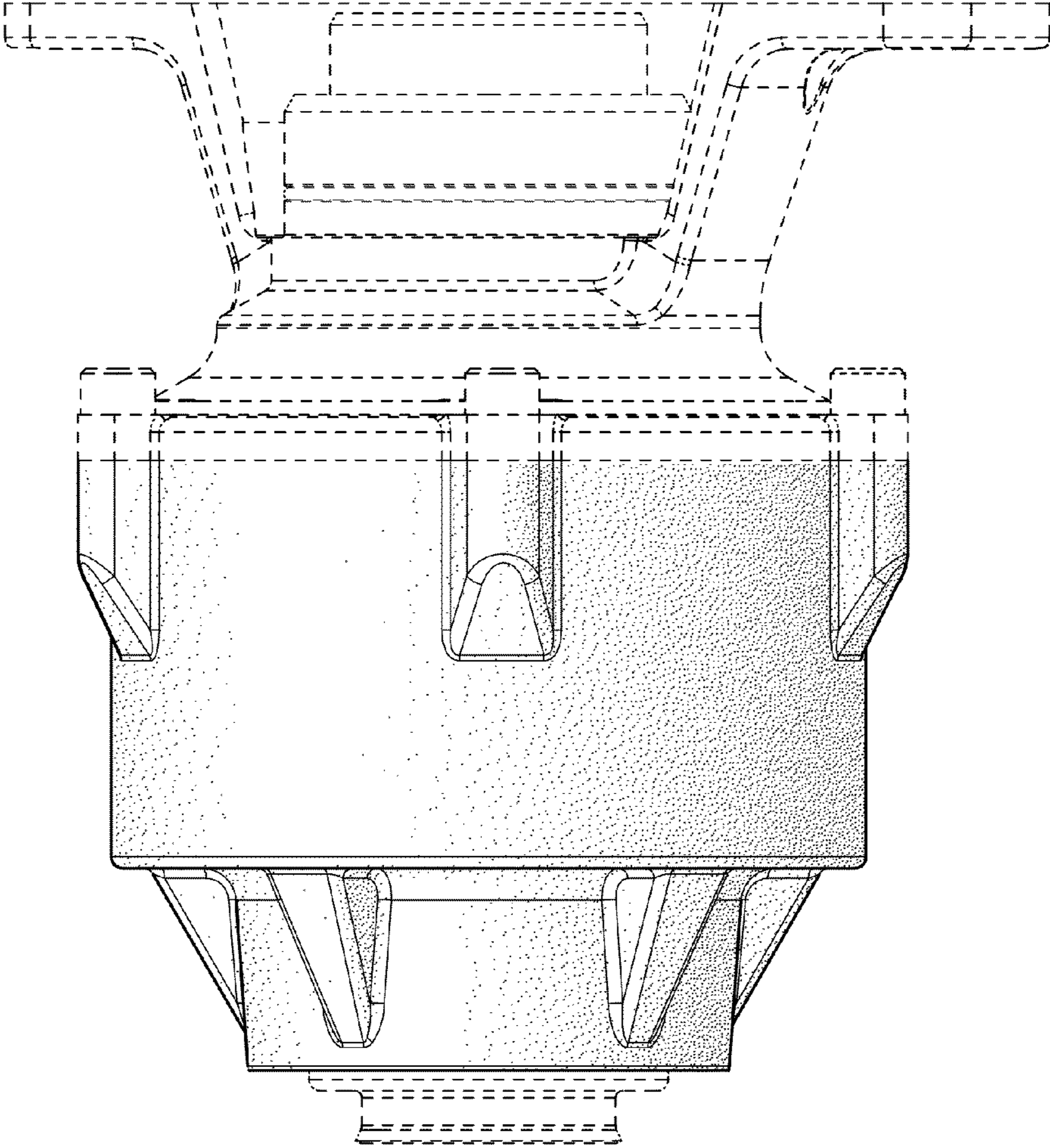


FIG. 3

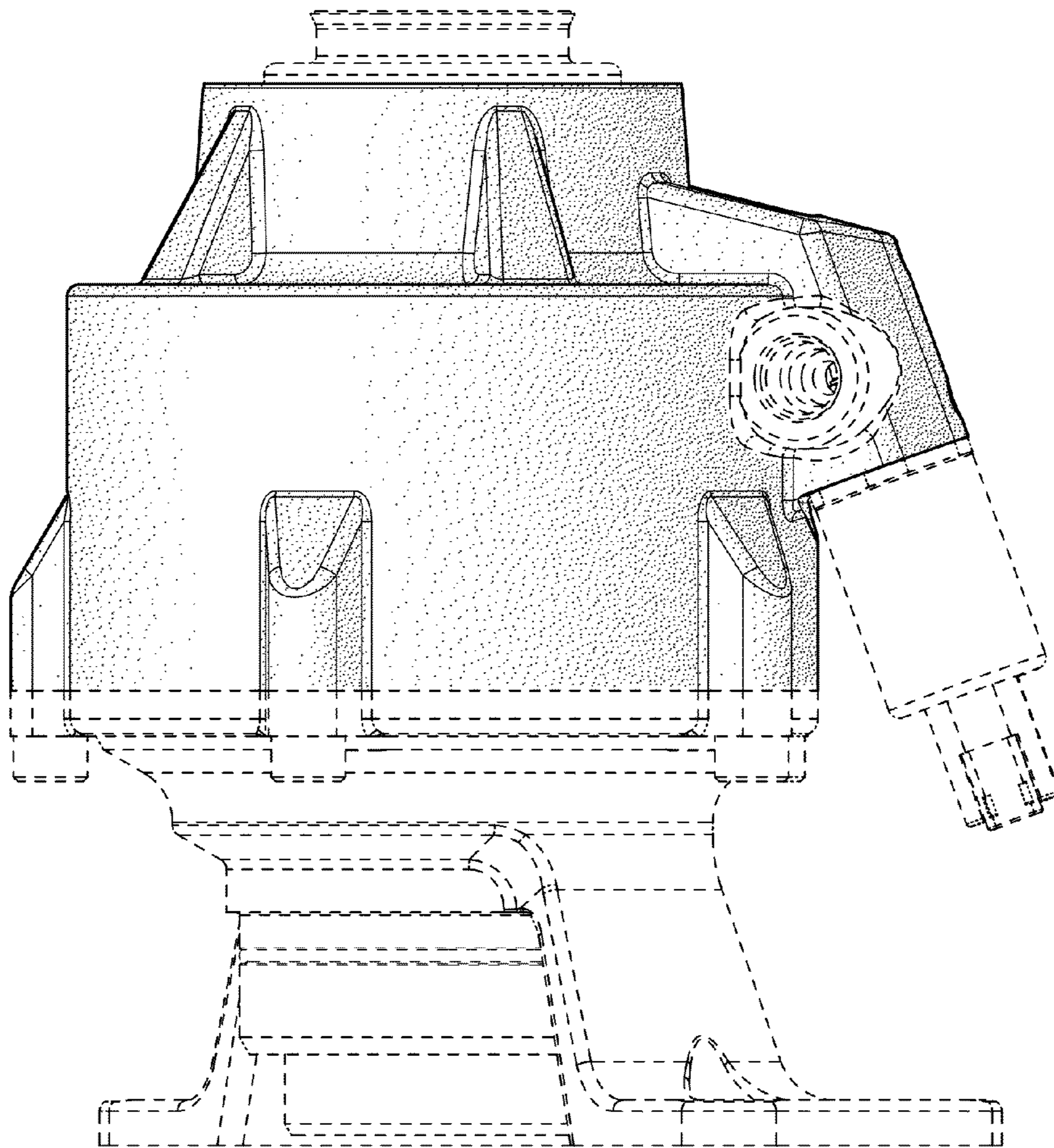


FIG. 4

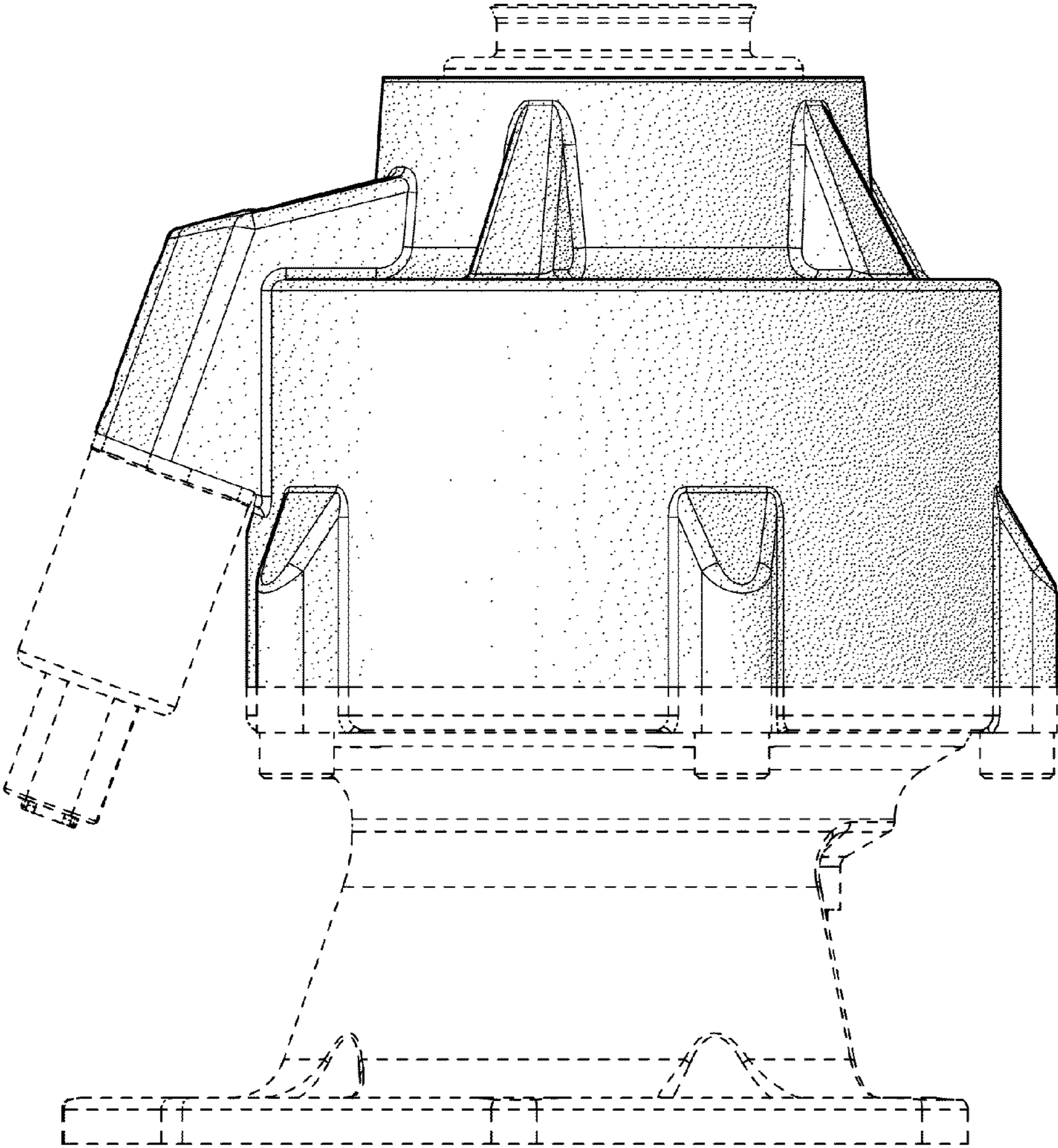


FIG. 5

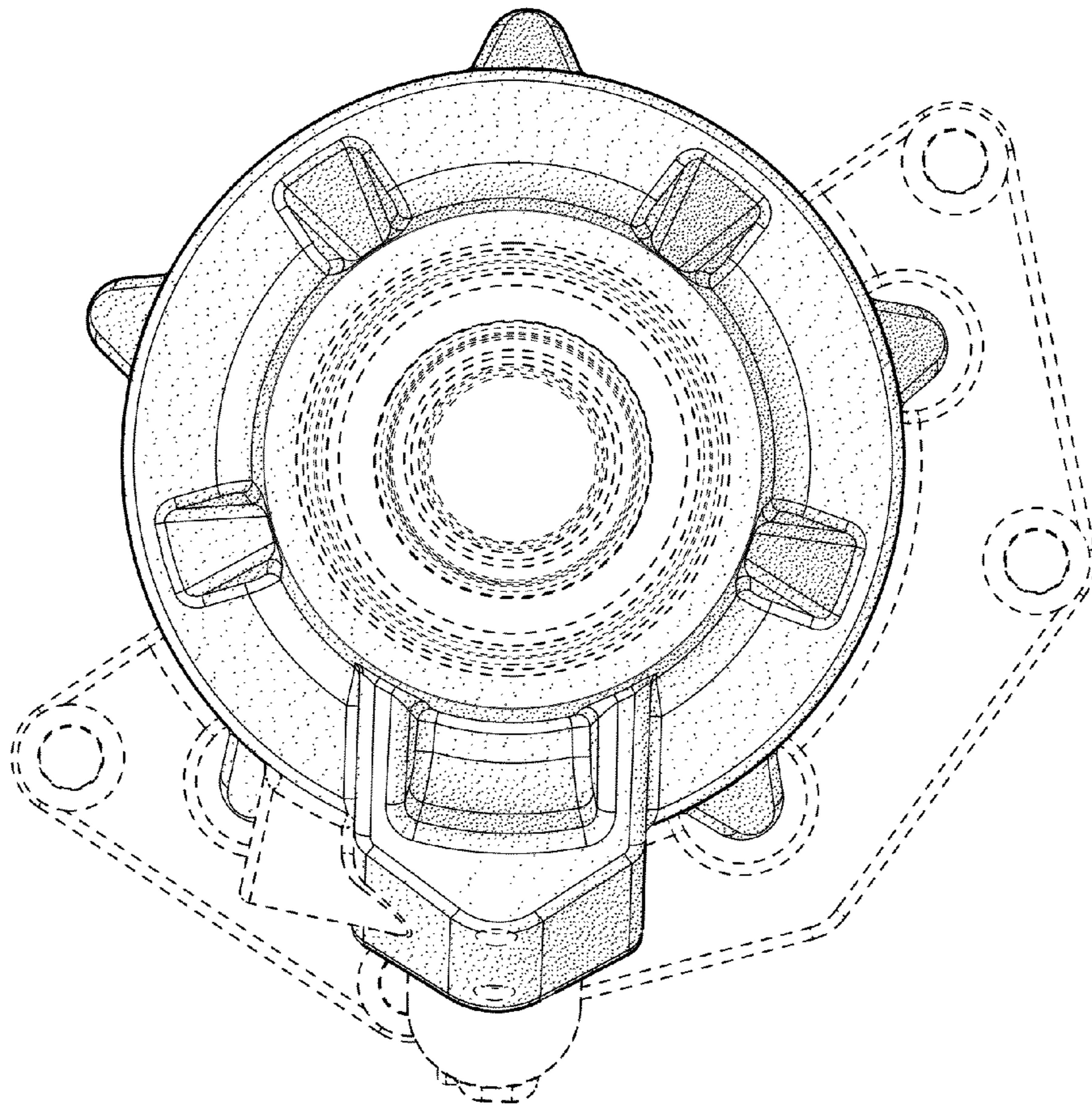


FIG. 6

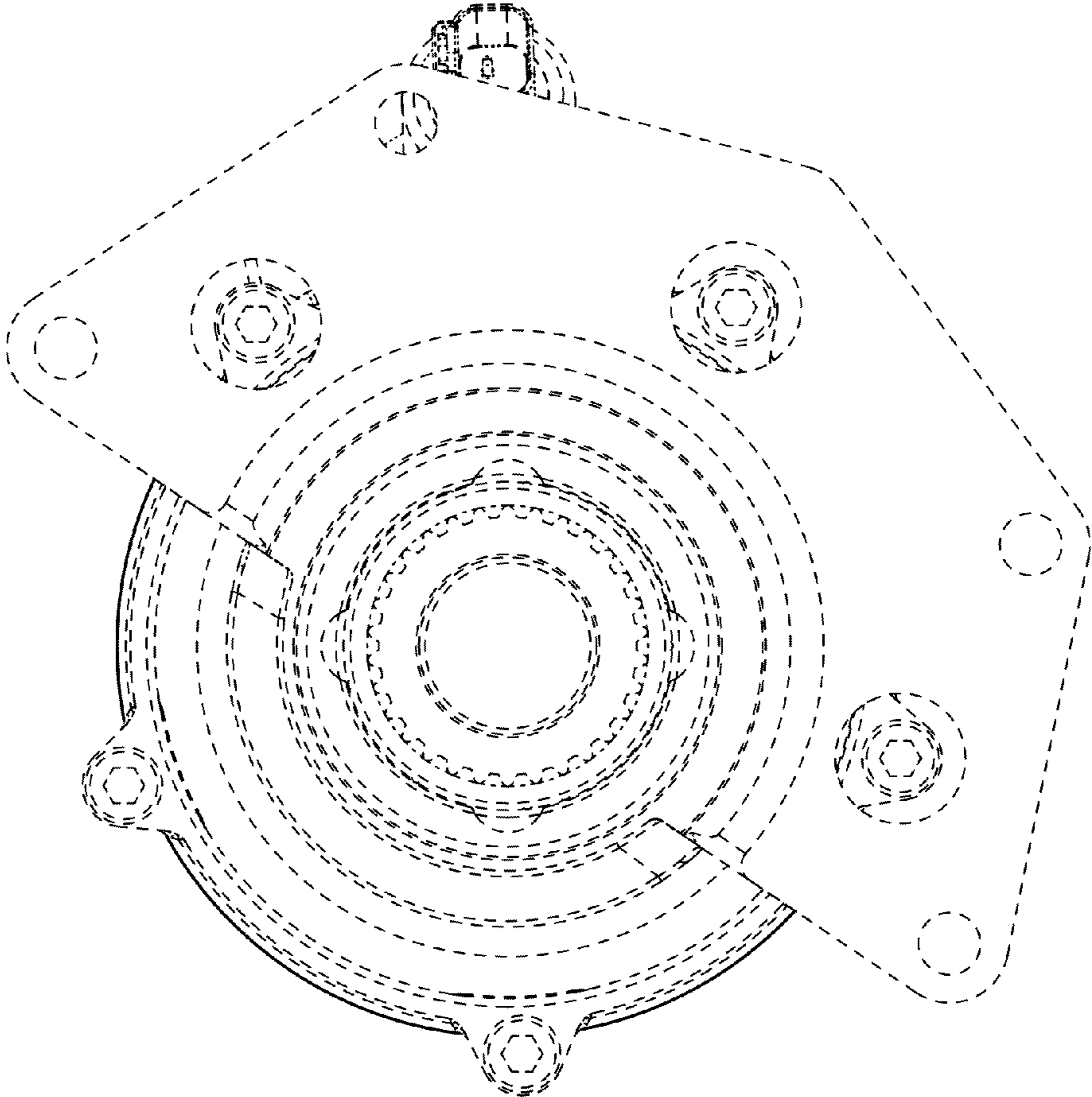


FIG. 7