



US00D713934S

(12) **United States Design Patent**
Mammen et al.

(10) **Patent No.:** **US D713,934 S**

(45) **Date of Patent:** **** Sep. 23, 2014**

(54) **NOZZLE**

(71) Applicants: **Robert Bosch Tool Corporation**,
Broadview, IL (US); **Robert Bosch GmbH**,
Stuttgart (DE)

(72) Inventors: **Chad James Mammen**, Washington, IL
(US); **Alfredo Farne**, Embu (BR)

(73) Assignee: **Robert Bosch GmbH**, Stuttgart (DE)

(**) Term: **14 Years**

(21) Appl. No.: **29/453,306**

(22) Filed: **Apr. 26, 2013**

(51) **LOC (10) Cl.** **23-01**

(52) **U.S. Cl.**
USPC **D23/226**

(58) **Field of Classification Search**
USPC D23/213, 223, 226; 239/525-527
See application file for complete search history.

(56) **References Cited**

U.S. PATENT DOCUMENTS

D604,390 S	*	11/2009	Cheng	D23/223
D650,044 S	*	12/2011	Nies et al.	D23/223
D650,045 S	*	12/2011	Nies et al.	D23/223
D677,362 S	*	3/2013	Christopher	D23/223
D678,980 S	*	3/2013	Nies et al.	D23/223
D681,777 S	*	5/2013	Nies et al.	D23/226

* cited by examiner

Primary Examiner — Robin V Webster

(74) *Attorney, Agent, or Firm* — Maginot, Moore & Beck

(57) **CLAIM**

The ornamental design for a nozzle, as shown and described.

DESCRIPTION

FIG. 1 is a perspective view of a first embodiment of a nozzle showing our new design;

FIG. 2 is a front elevational view showing the design for the nozzle of FIG. 1;

FIG. 3 is a rear elevational view showing the design for the nozzle of FIG. 1;

FIG. 4 is a left side elevational view showing the design for the nozzle of FIG. 1;

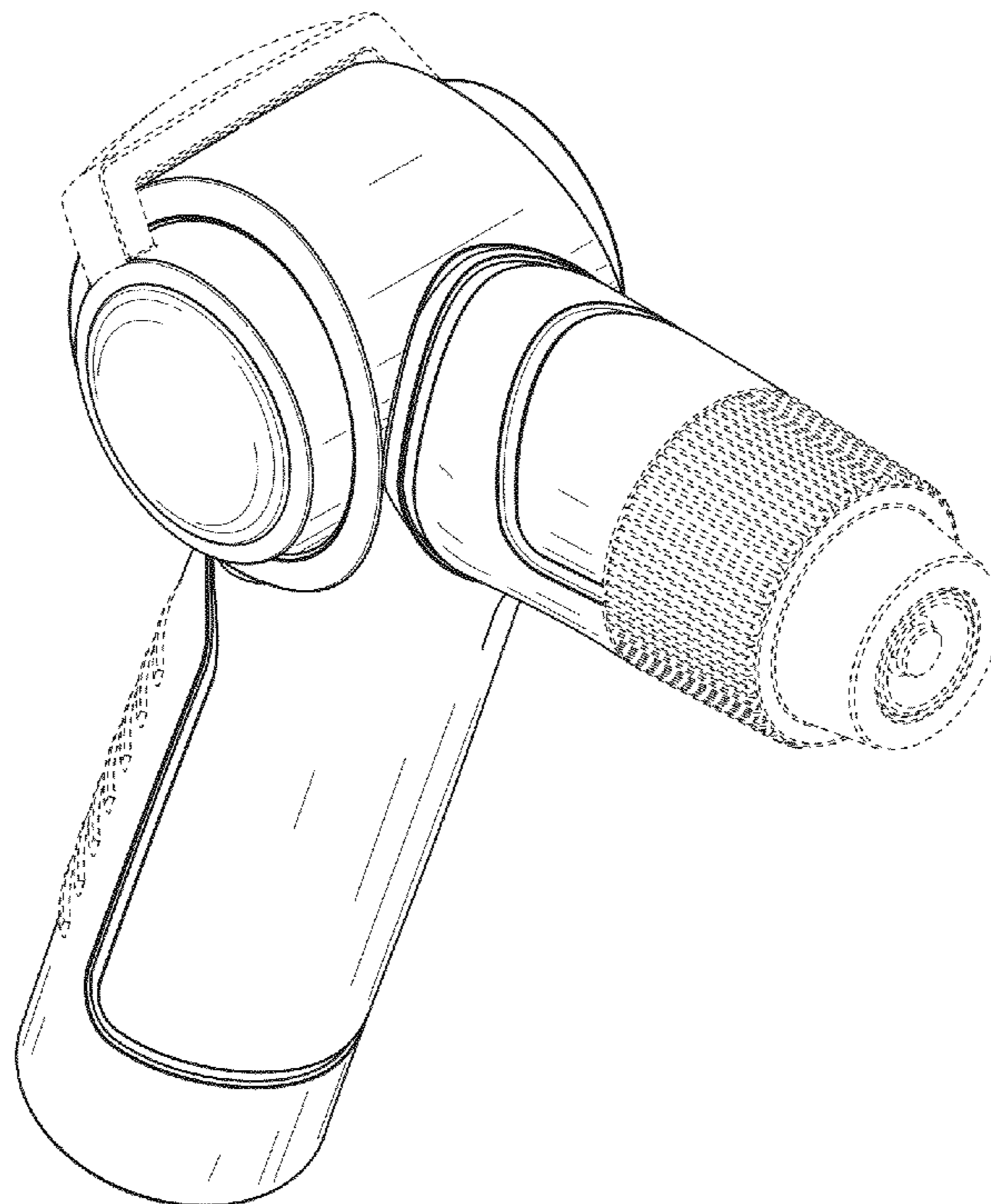
FIG. 5 is a right side elevational view showing the design for the nozzle of FIG. 1;

FIG. 6 is a top plan view showing the design for the nozzle of FIG. 1; and,

FIG. 7 is a bottom plan view showing the design for the nozzle of FIG. 1.

The broken line showing of portions of the nozzle in FIGS. 1-7 is included for illustrative purposes only and forms no part of the claimed design.

1 Claim, 6 Drawing Sheets



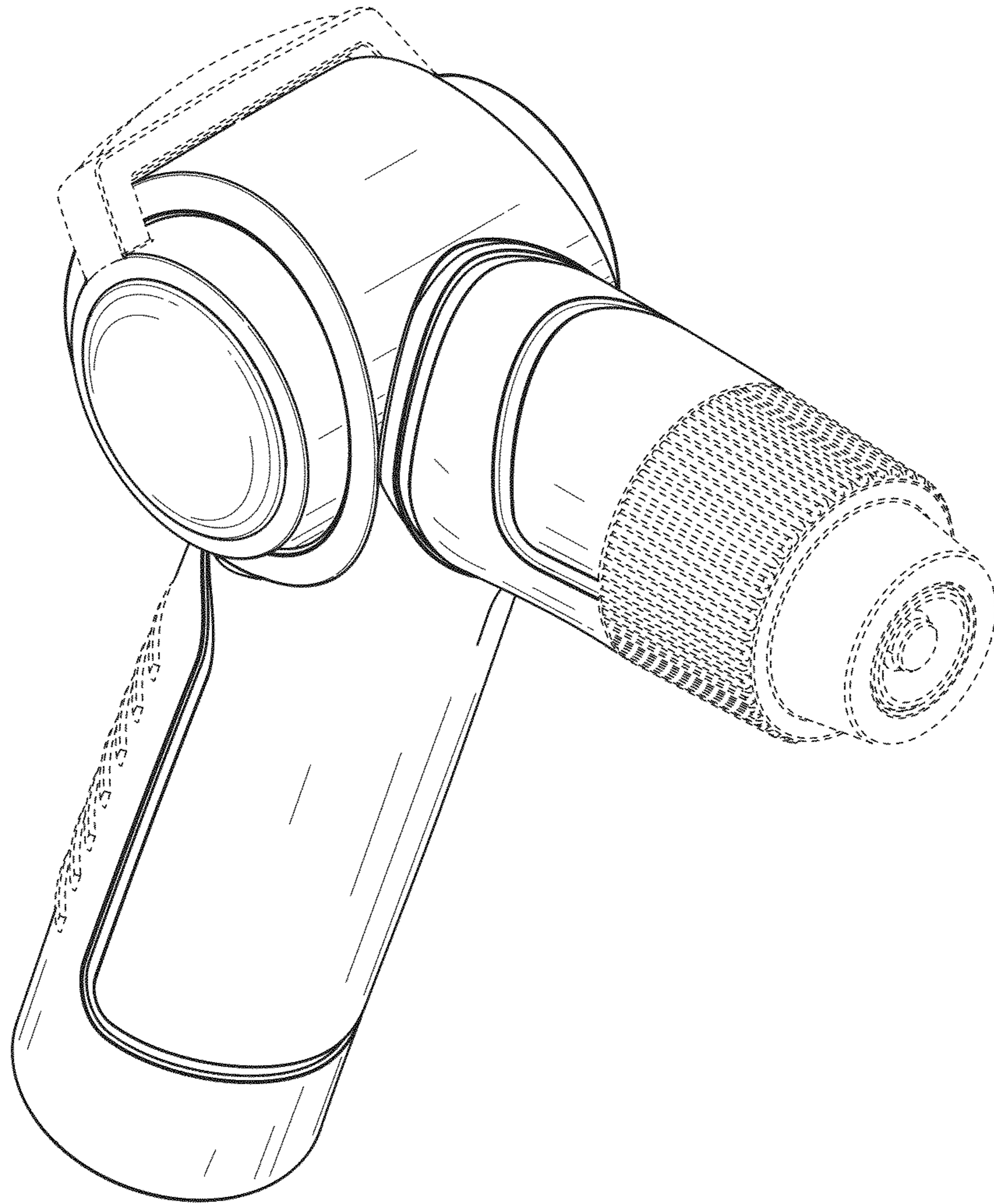


FIG. 1

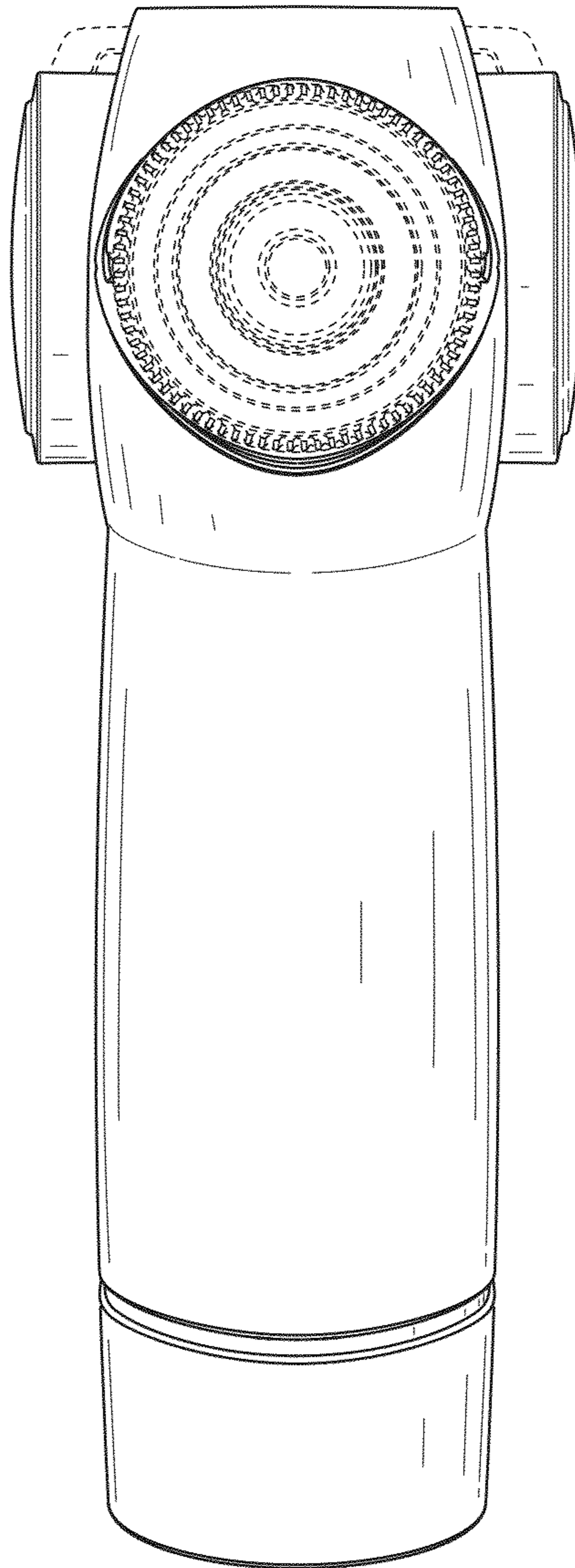


FIG. 2

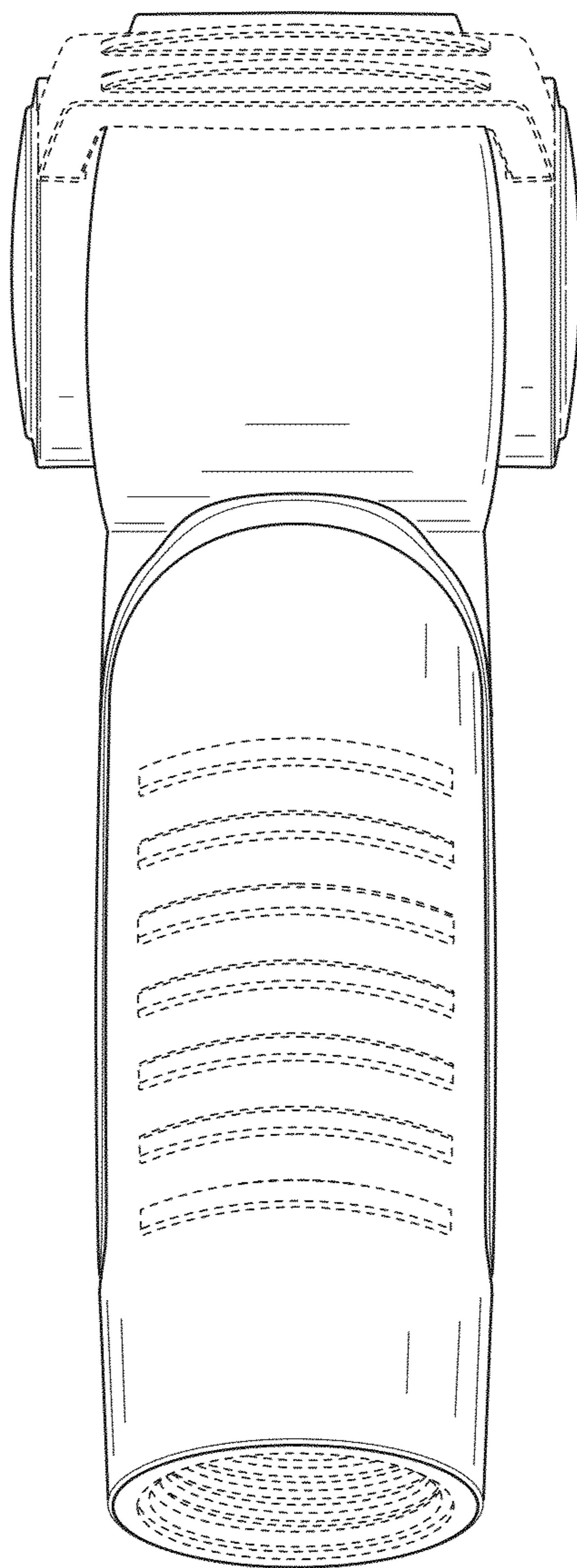


FIG. 3

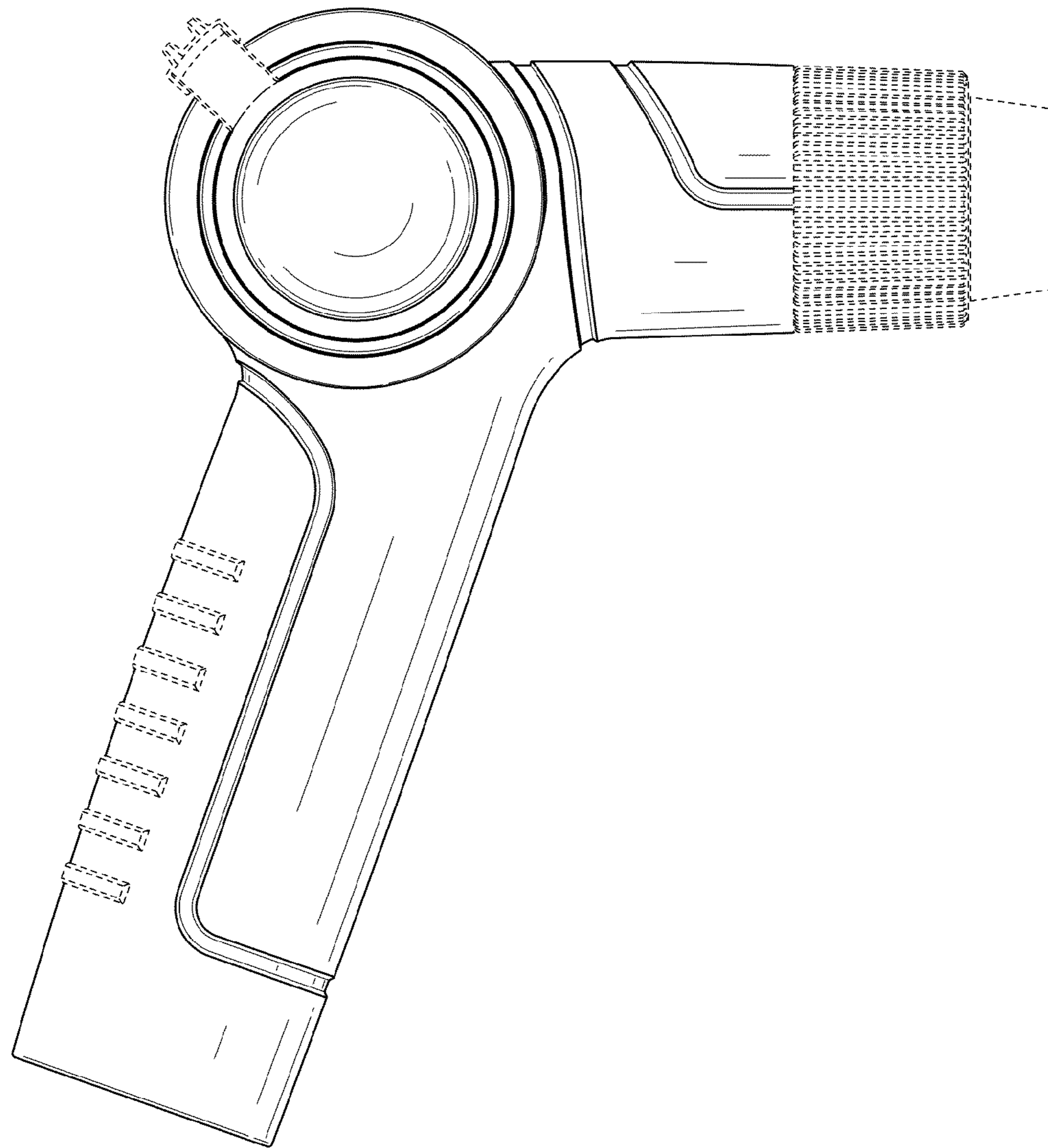


FIG. 4

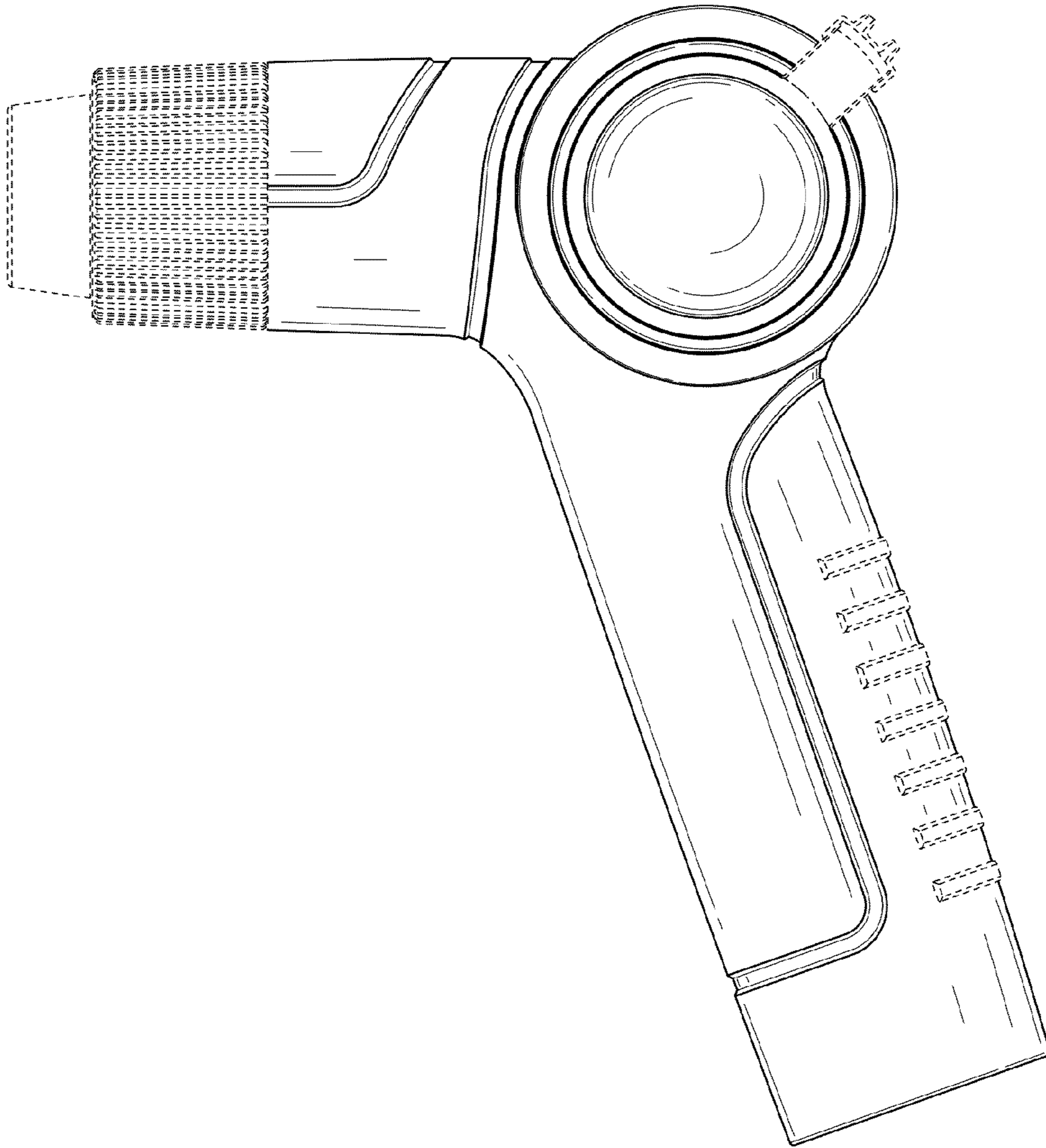


FIG. 5

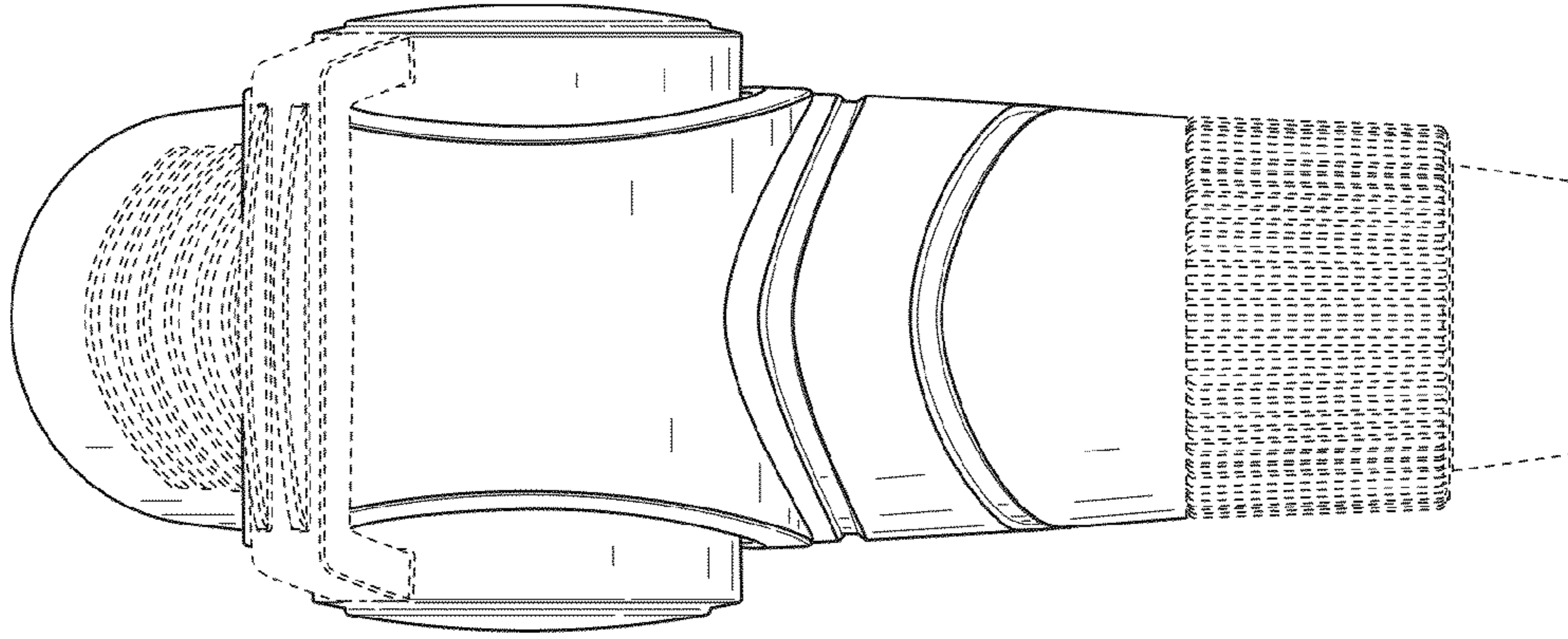


FIG. 6

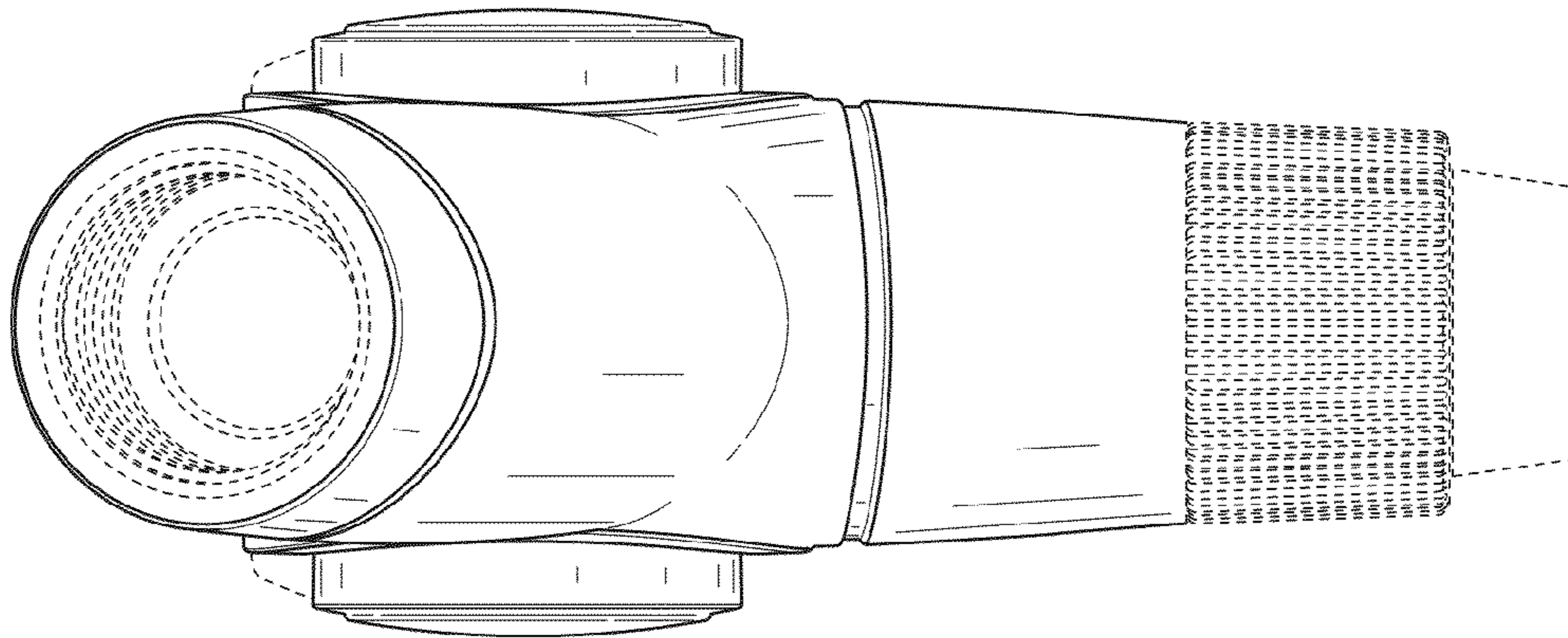


FIG. 7