



US00D713922S

(12) **United States Design Patent**
Sheikh et al.

(10) **Patent No.:** **US D713,922 S**

(45) **Date of Patent:** **** Sep. 23, 2014**

(54) **TOP PORTION OF A PEPPER SPRAY DISPENSER CASE**

(71) Applicants: **Yasar Sheikh**, Sanford, FL (US);
Shabbir Sheikh, Sanford, FL (US)

(72) Inventors: **Yasar Sheikh**, Sanford, FL (US);
Shabbir Sheikh, Sanford, FL (US)

(**) Term: **14 Years**

(21) Appl. No.: **29/460,295**

(22) Filed: **Jul. 9, 2013**

(51) **LOC (10) Cl.** **22-01**

(52) **U.S. Cl.**
USPC **D22/117**

(58) **Field of Classification Search**
USPC D3/215, 207–212, 201–205, 229;
70/414, 456 R, 457; 222/153.13,
222/402.11, 402.13, 113, 192, 183;
224/246, 674, 669, 240, 683, 904, 914,
224/236, 244; D22/117–120

See application file for complete search history.

(56) **References Cited**

U.S. PATENT DOCUMENTS

3,445,046	A	5/1969	Wilson	
3,484,023	A *	12/1969	Meshberg	222/402.11
4,220,263	A	9/1980	Caruso	
4,572,410	A *	2/1986	Brunet	222/402.11
5,305,874	A	4/1994	McLaughlin	
5,366,118	A	11/1994	Ciammitti et al.	
5,379,924	A *	1/1995	Taylor	222/402.11
5,388,730	A *	2/1995	Abbott et al.	222/153.13

5,458,263	A	10/1995	Ciammitti et al.	
5,897,026	A	4/1999	Vester et al.	
6,932,244	B2 *	8/2005	Meshberg	222/153.13
6,971,552	B2 *	12/2005	Meshberg	222/153.13
D573,223	S *	7/2008	Kostal et al.	D22/117
8,453,883	B2 *	6/2013	Habermann et al.	222/153.13
8,550,306	B2 *	10/2013	Angus et al.	222/153.11

OTHER PUBLICATIONS

Guard Dog Security website, "Pepper Sprays" category, <http://guard-dog-security.com/index.php?cPath=23&osCsid=10da8772c27c1abfb9c6f95d05a38cbe>.

* cited by examiner

Primary Examiner — Catheri Oliver-Garcia

(74) *Attorney, Agent, or Firm* — QuickPatents; Kevin Prince

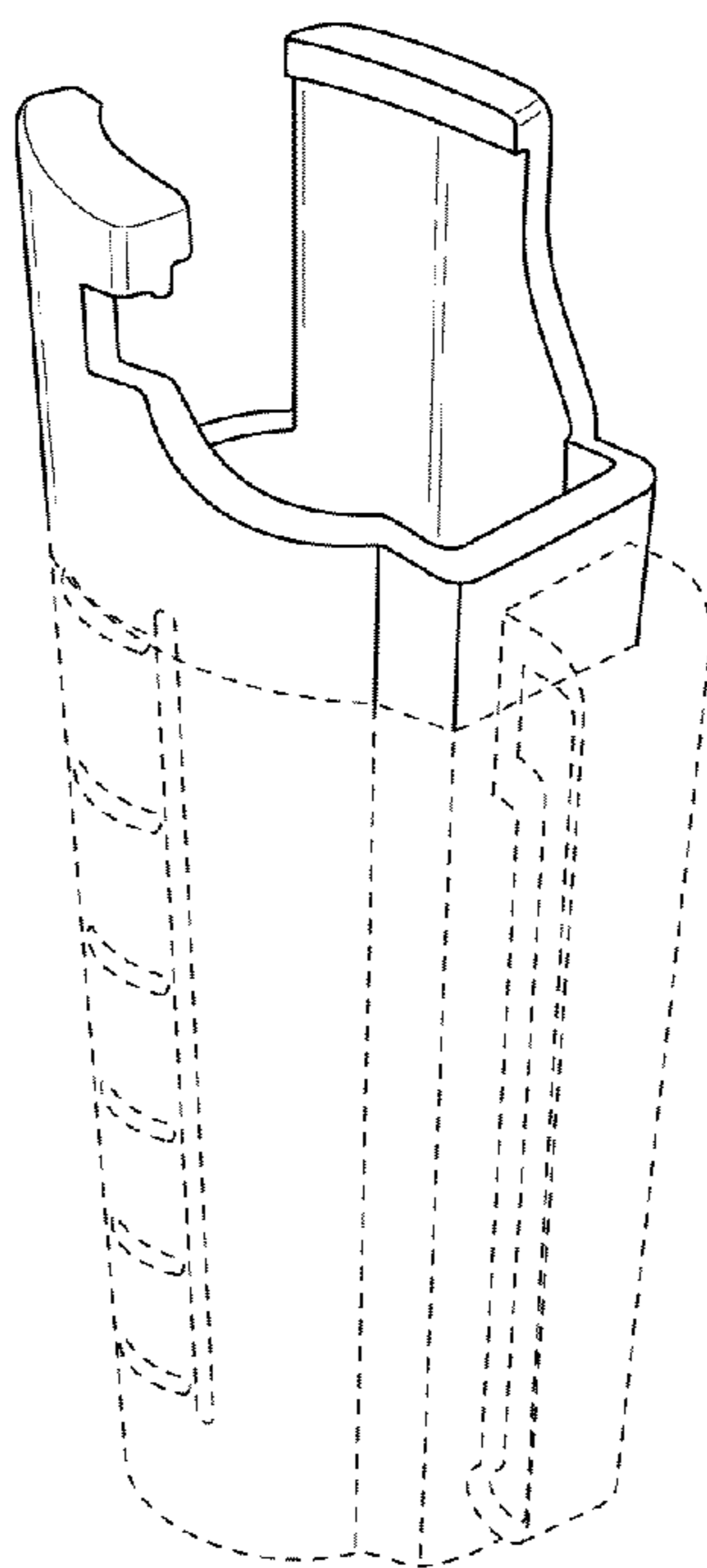
(57) **CLAIM**

We claim the ornamental design for a top portion of a pepper spray dispenser case, as shown and described.

DESCRIPTION

FIG. 1 is a rear perspective view of a top portion of a pepper spray dispenser case, showing our new design; FIG. 2 is a front elevational view thereof; FIG. 3 is a rear elevational view thereof; FIG. 4 is a right-side elevational view thereof; FIG. 5 is a left-side elevational view thereof; FIG. 6 is a top plan view thereof; and, FIG. 7 is a bottom plan view thereof. The broken lines showing a lower portion of the pepper spray dispenser case form no part of the claimed design.

1 Claim, 2 Drawing Sheets



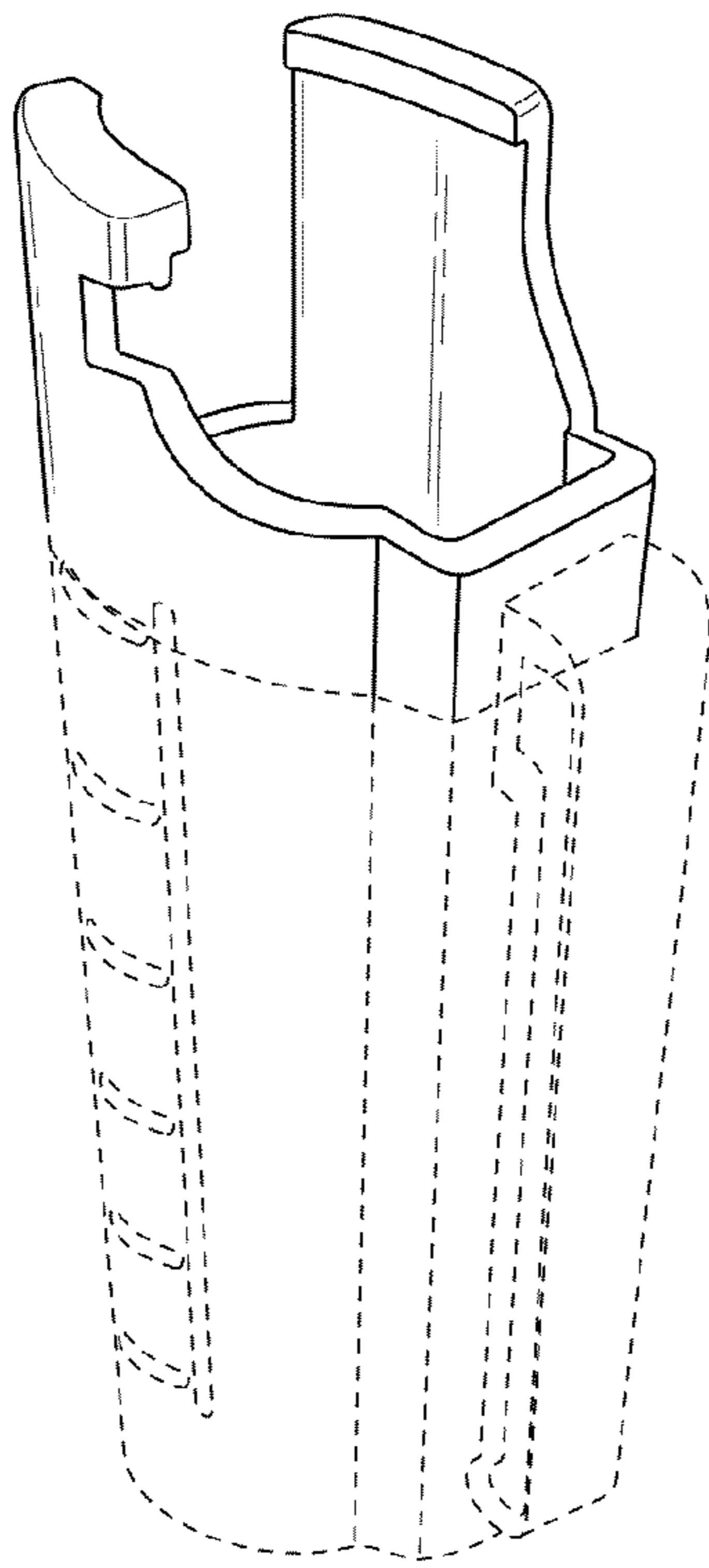


FIG. 1

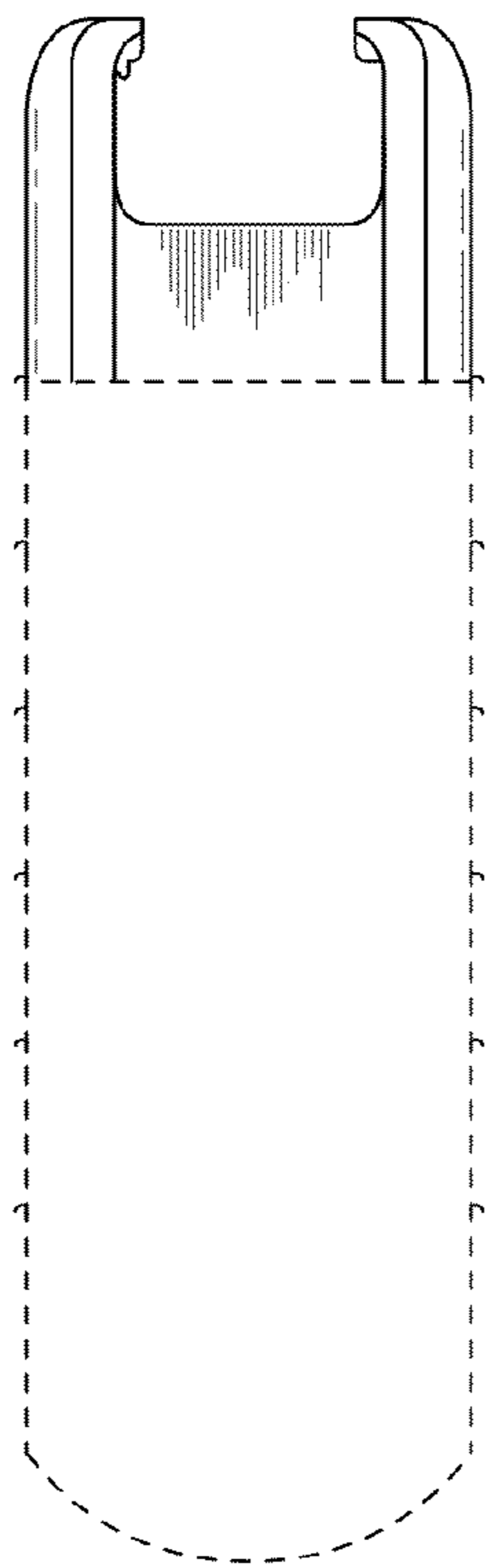


FIG. 2

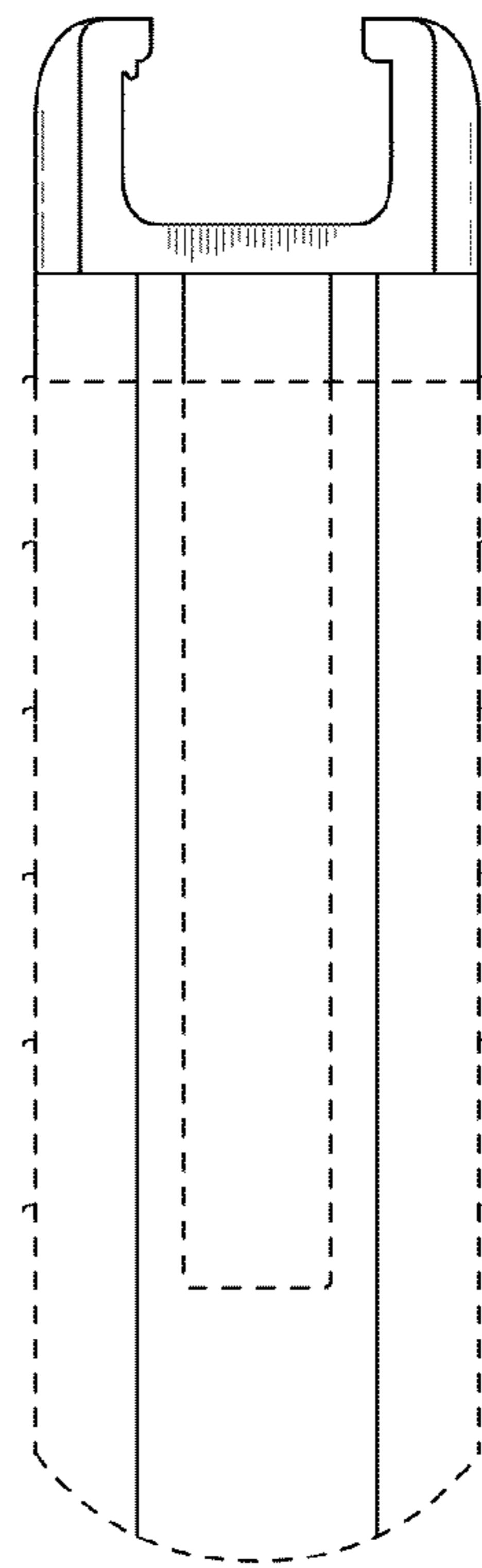


FIG. 3

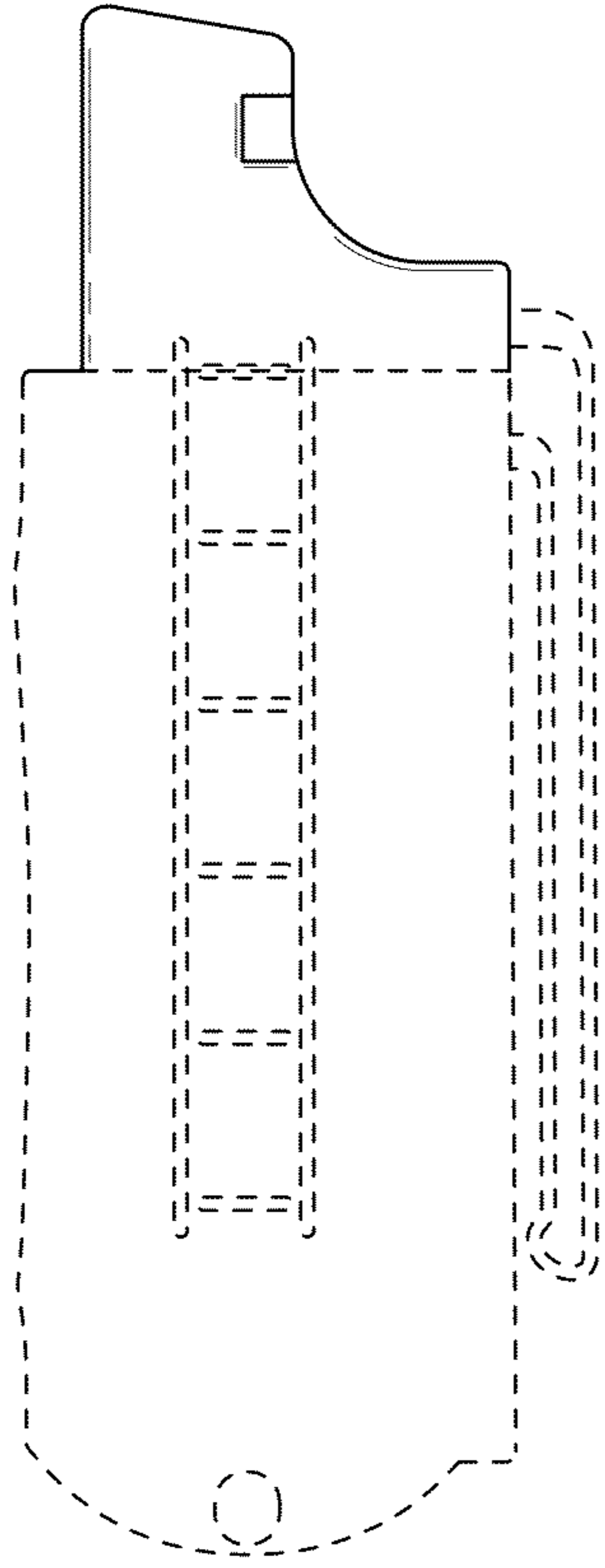


FIG. 4

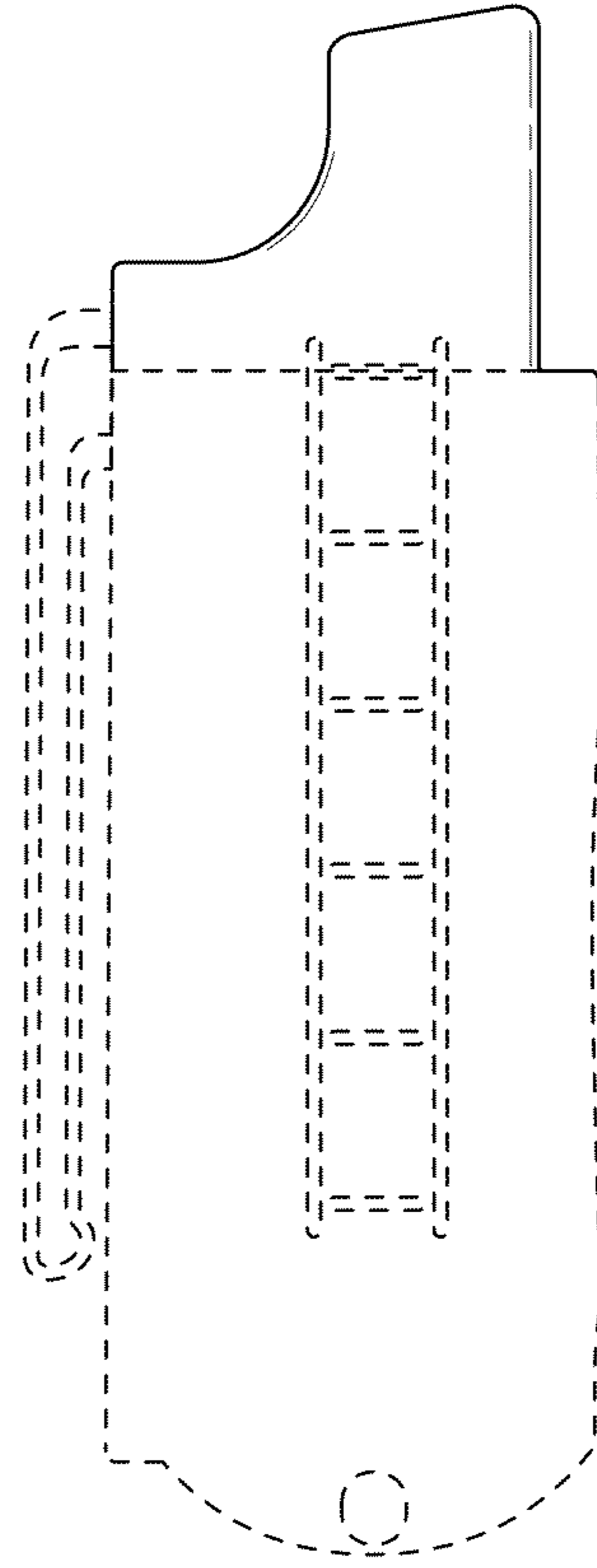


FIG. 5

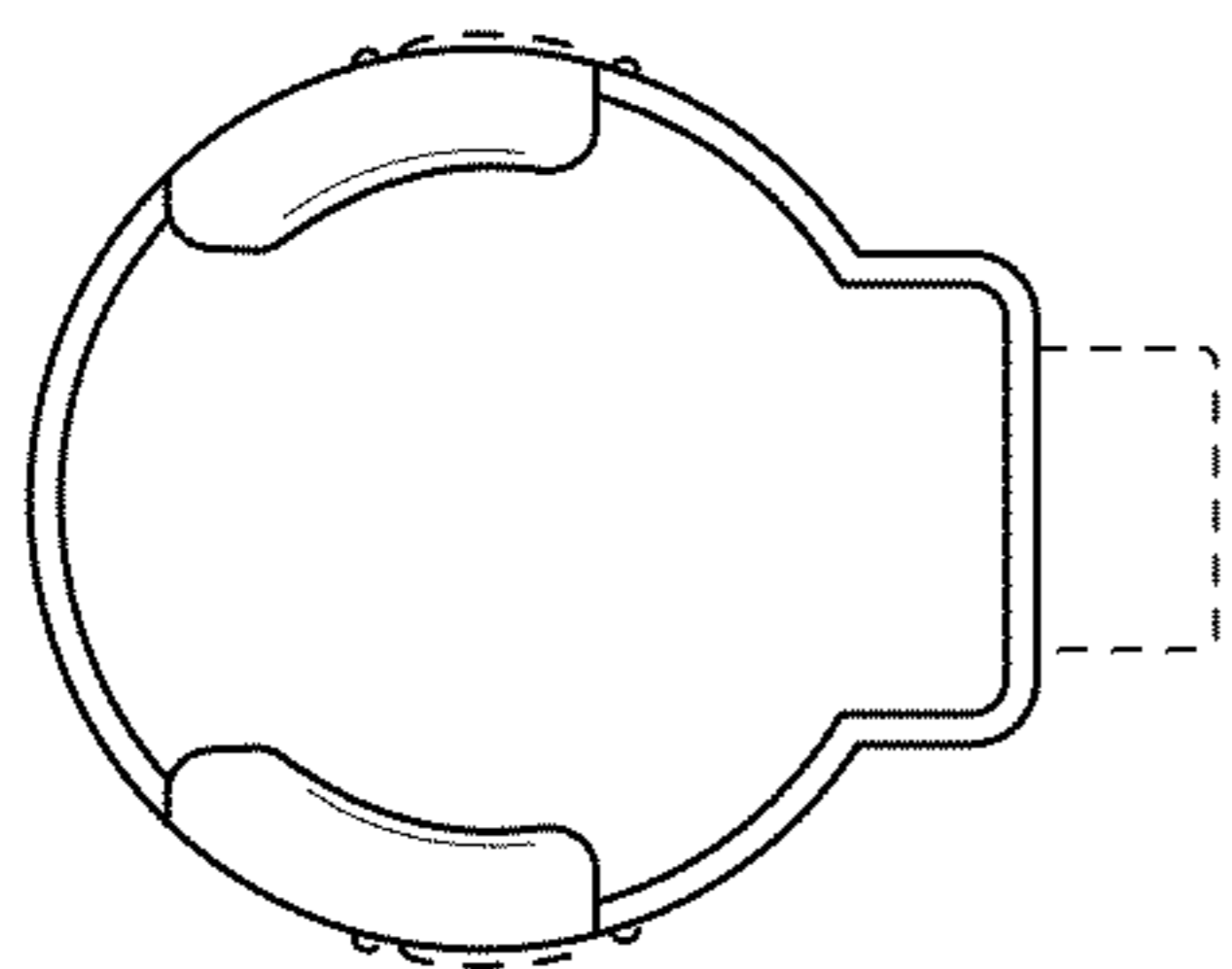


FIG. 6

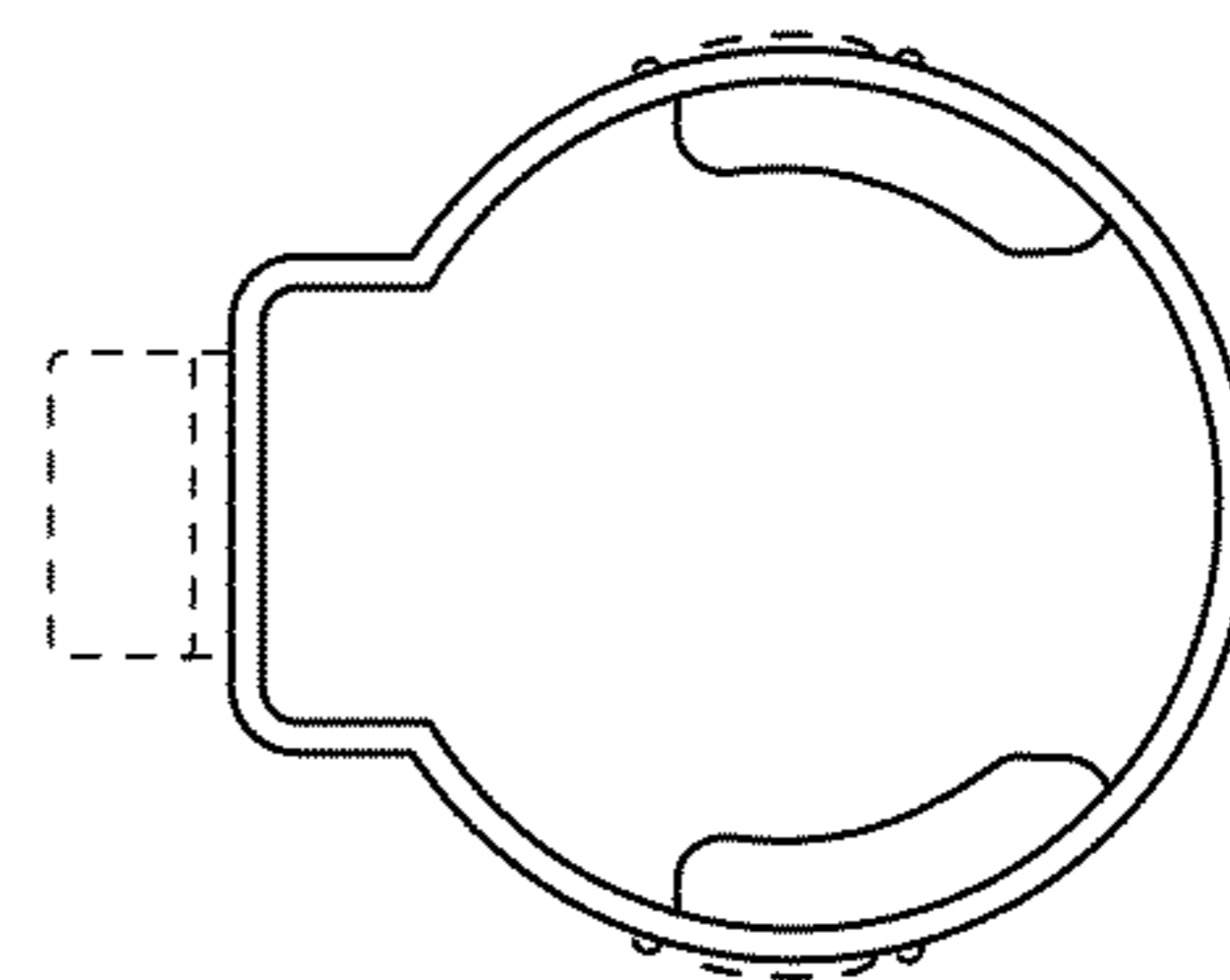


FIG. 7