



US00D713921S

(12) **United States Design Patent**  
**Williams et al.**

(10) **Patent No.:** **US D713,921 S**

(45) **Date of Patent:** **\*\* Sep. 23, 2014**

(54) **SCOPE MOUNT ASSEMBLY**

(71) Applicant: **Keng's Firearms Specialty, Inc.**,  
Atlanta, GA (US)

(72) Inventors: **Alvin Williams**, Smyrna, GA (US); **Kio James**, Austell, GA (US); **David Bonelli**, Smyrna, GA (US)

(73) Assignee: **Keng's Firearms Specialty, Inc.**,  
Atlanta, GA (US)

(\*\*) Term: **14 Years**

(21) Appl. No.: **29/449,190**

(22) Filed: **Mar. 14, 2013**

(51) **LOC (10) Cl.** ..... **22-01**

(52) **U.S. Cl.**  
USPC ..... **D22/109**

(58) **Field of Classification Search**  
USPC ..... D22/108-110; D16/132, 130, 133, 330,  
D16/134; 359/399, 823, 744; 42/111, 133,  
42/119, 122  
See application file for complete search history.

(56) **References Cited**

**U.S. PATENT DOCUMENTS**

4,531,321 A \* 7/1985 Bechtel ..... 42/126

D346,198 S \* 4/1994 Herringshaw ..... D22/110  
7,140,143 B1 \* 11/2006 Ivey ..... 42/125  
D591,822 S \* 5/2009 Moody et al. .... D22/109  
7,543,405 B1 \* 6/2009 Ivey ..... 42/125  
D632,753 S \* 2/2011 Leighton et al. .... D22/109  
D673,239 S \* 12/2012 Cheng ..... D22/109

\* cited by examiner

*Primary Examiner* — Michael A Pratt

(74) *Attorney, Agent, or Firm* — Sutherland Asbill &  
Brennan LLP

(57) **CLAIM**

The ornamental design for a scope mount assembly, as shown and described.

**DESCRIPTION**

FIG. 1 is an upper perspective view of a scope mount assembly in the locked position according to an embodiment of the disclosure;

FIG. 2 is a side view thereof;

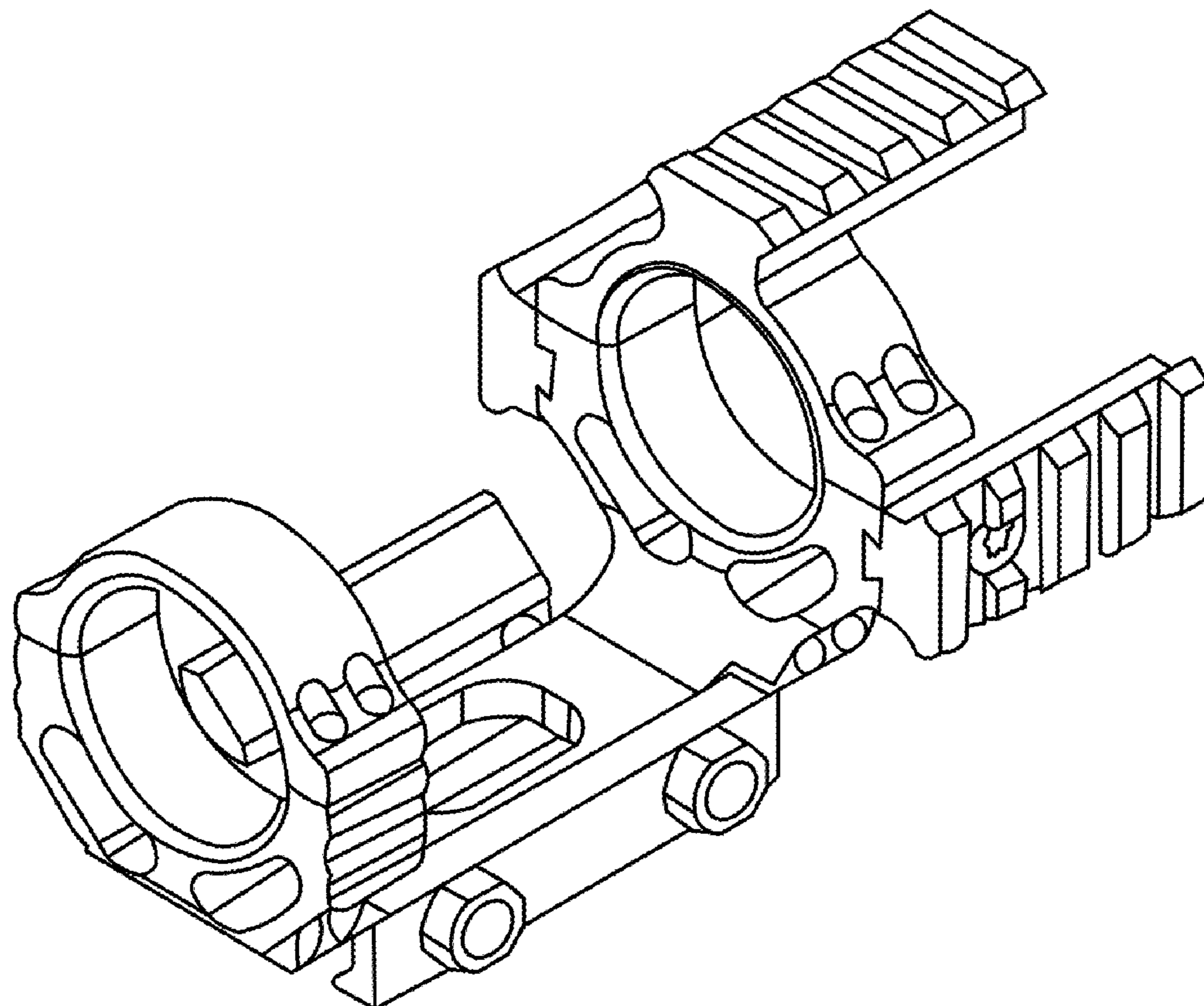
FIG. 3 is a front view thereof;

FIG. 4 is a partially exploded front view thereof;

FIG. 5 is a partially exploded side view thereof; and,

FIG. 6 is a front view thereof in the unlocked position.

**1 Claim, 6 Drawing Sheets**



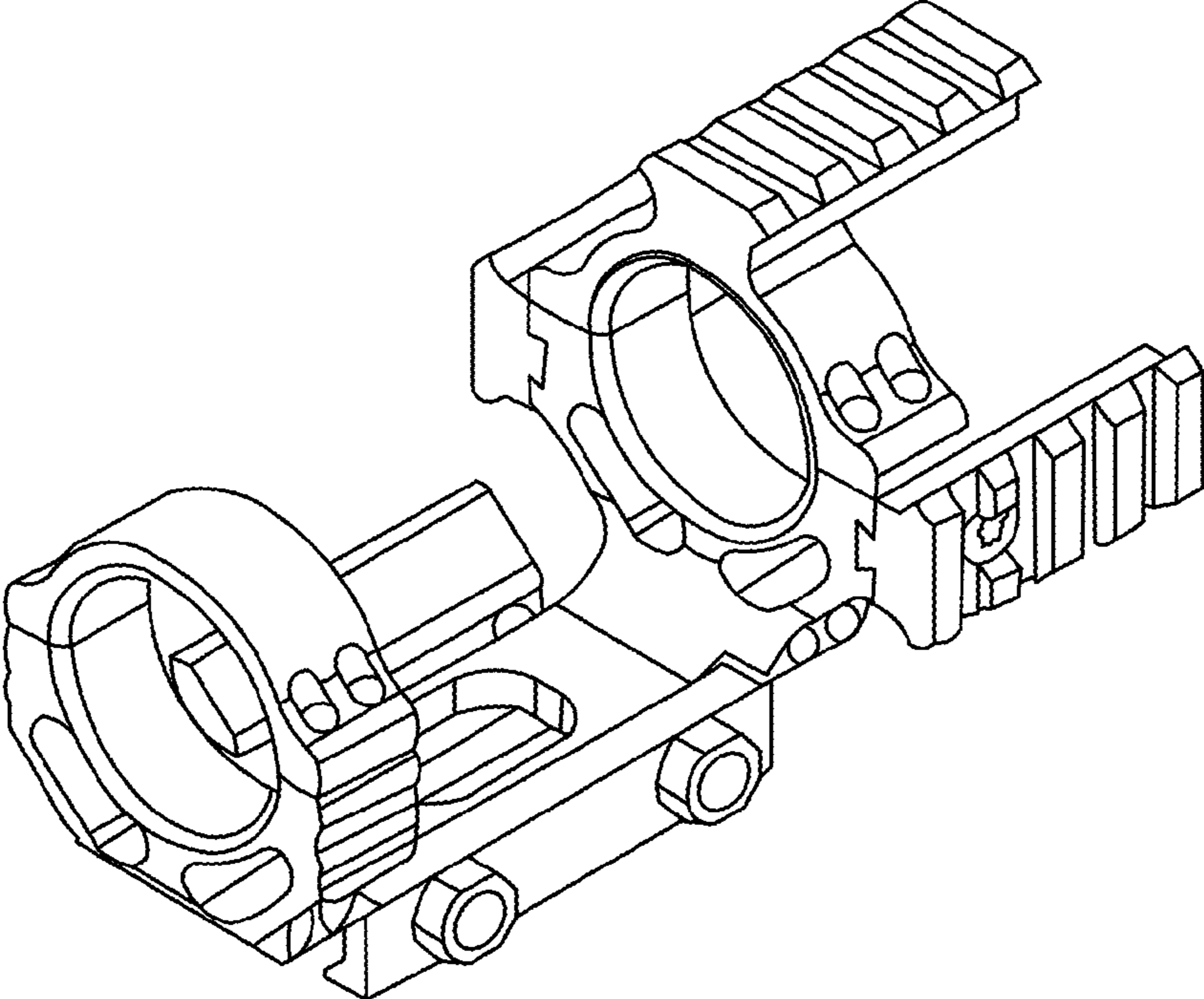


FIG. 1

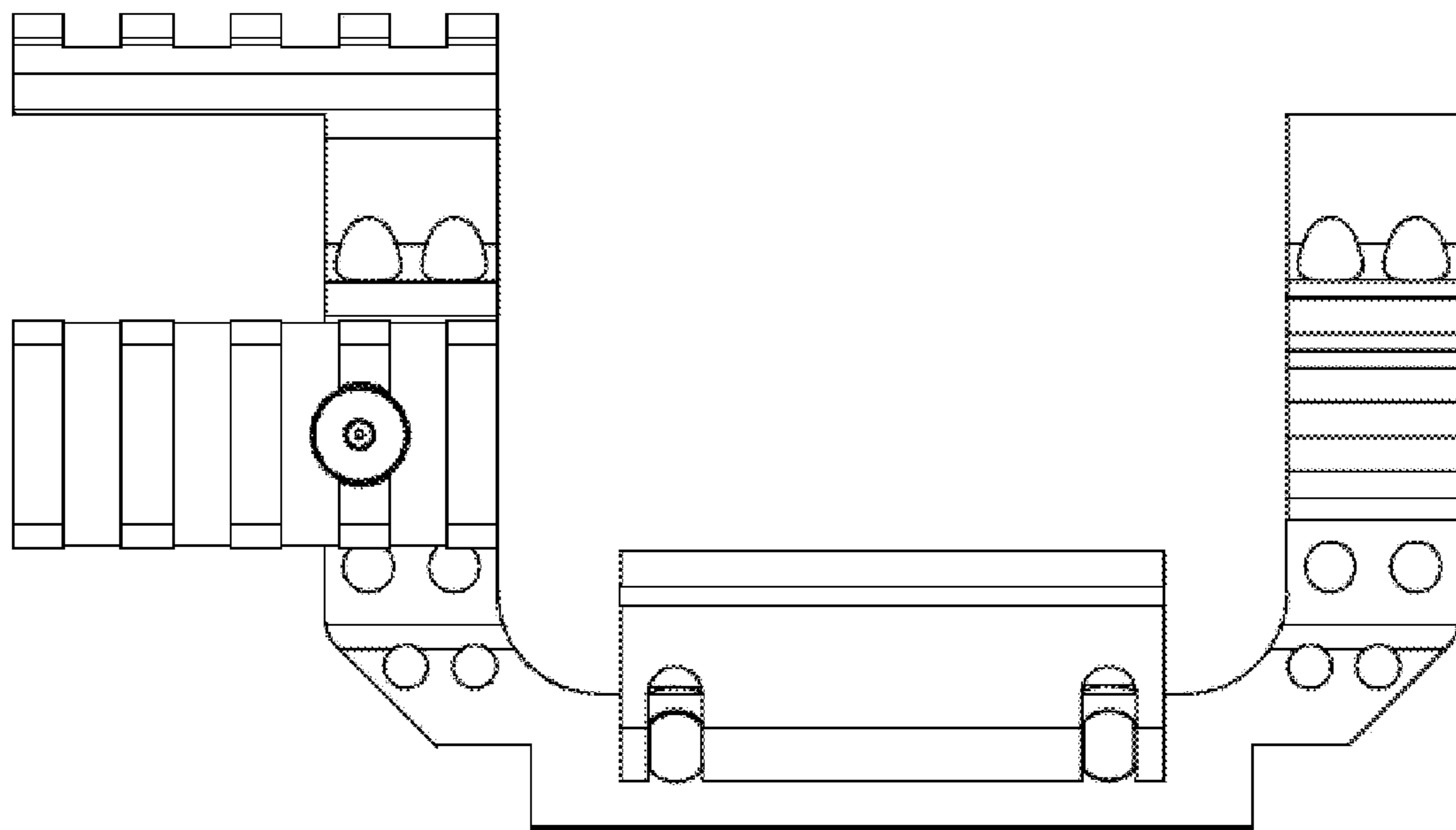


FIG. 2

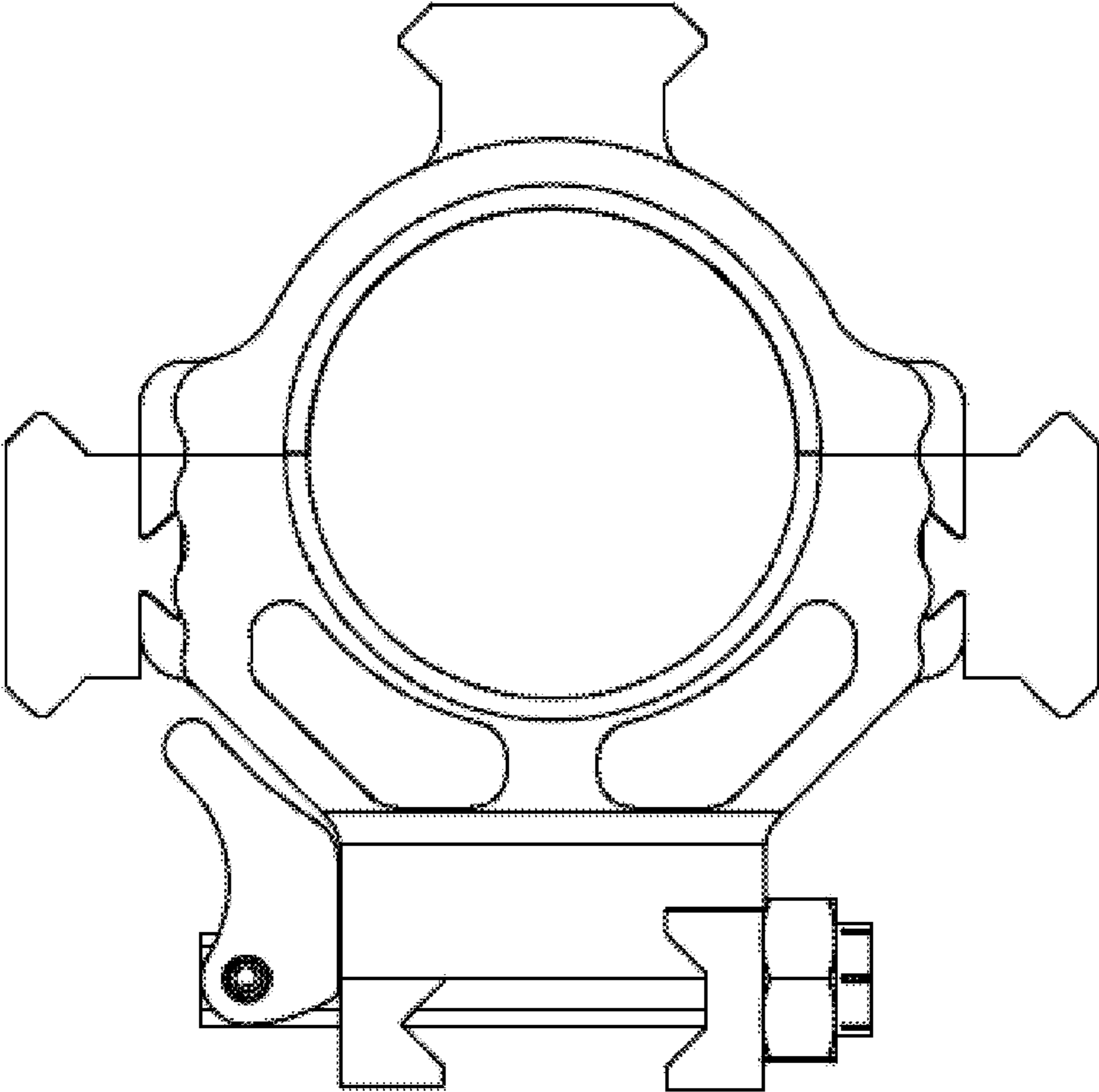


FIG. 3

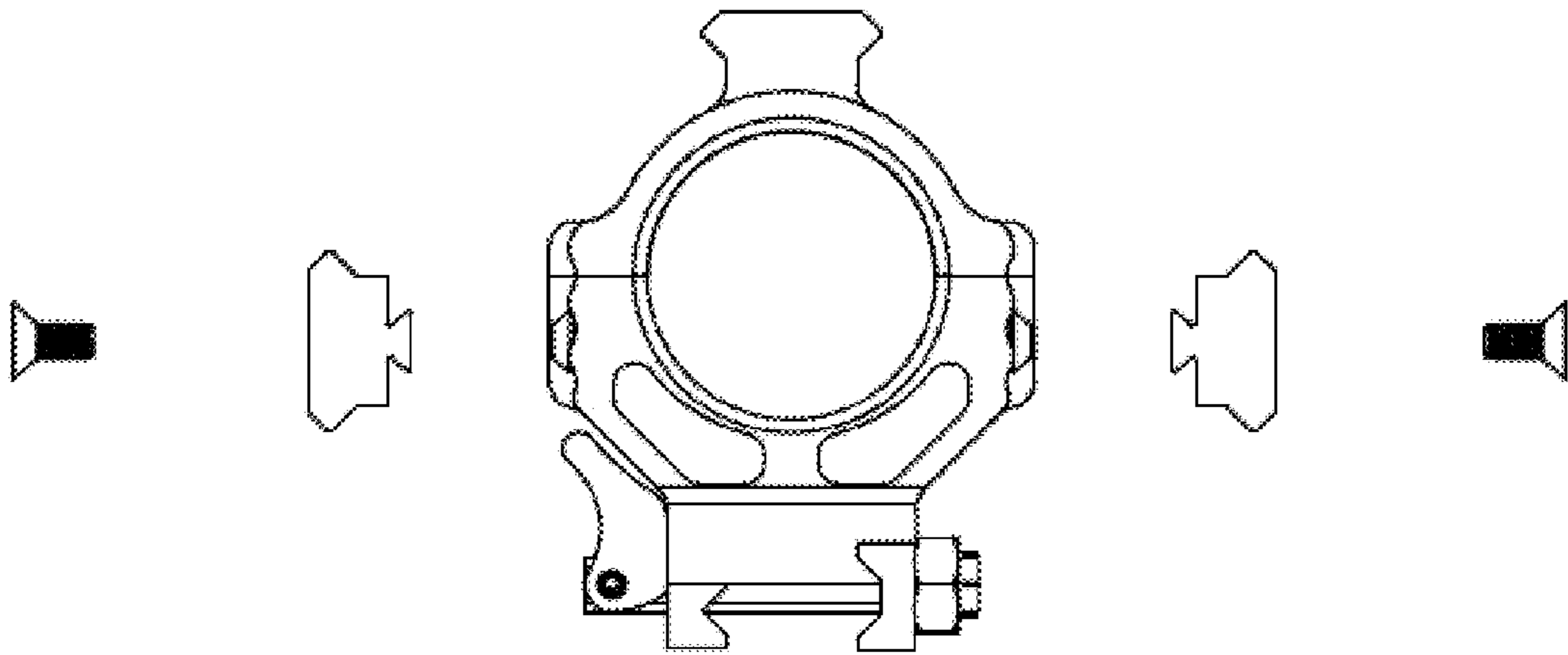


FIG. 4

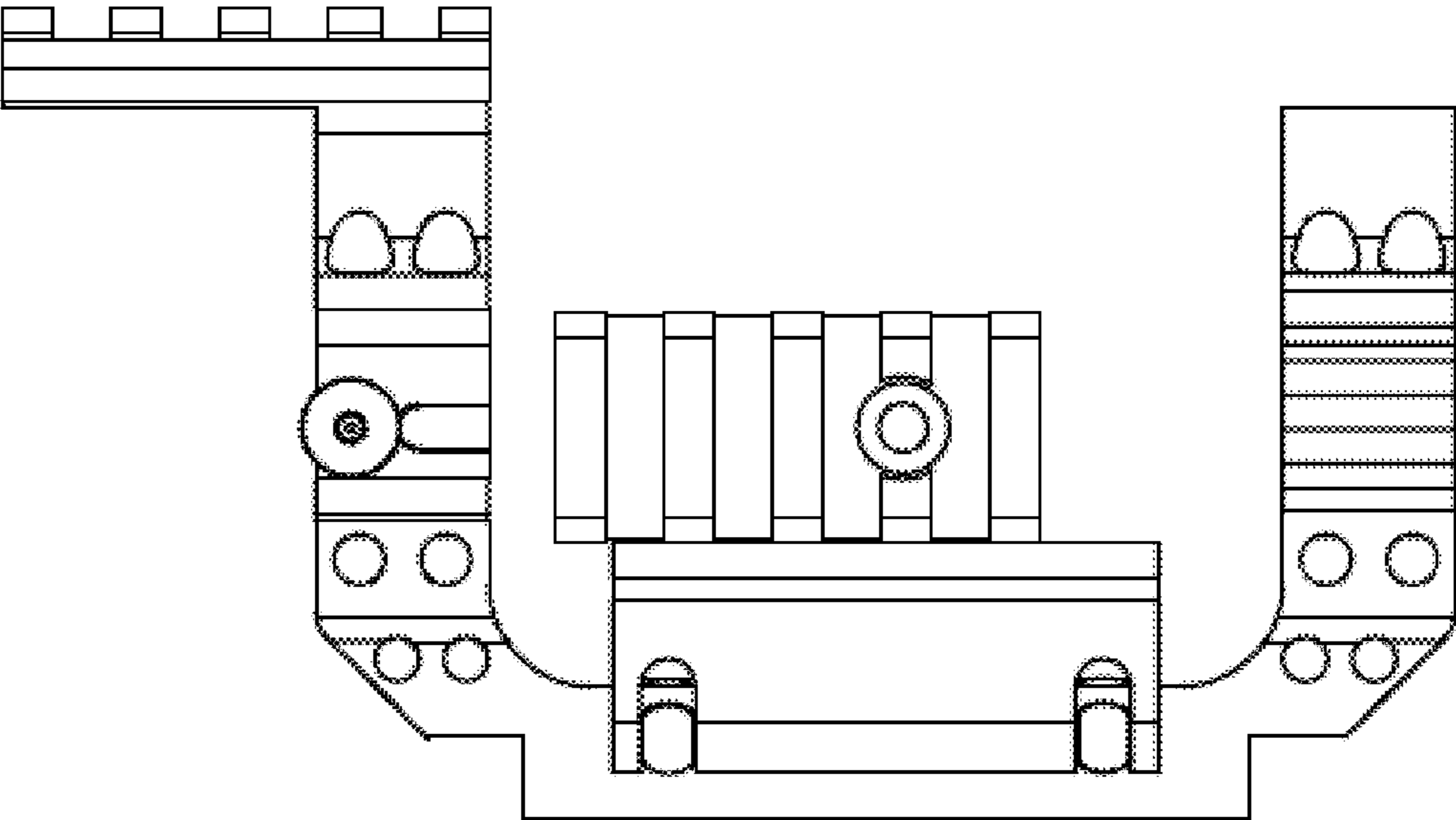


FIG. 5

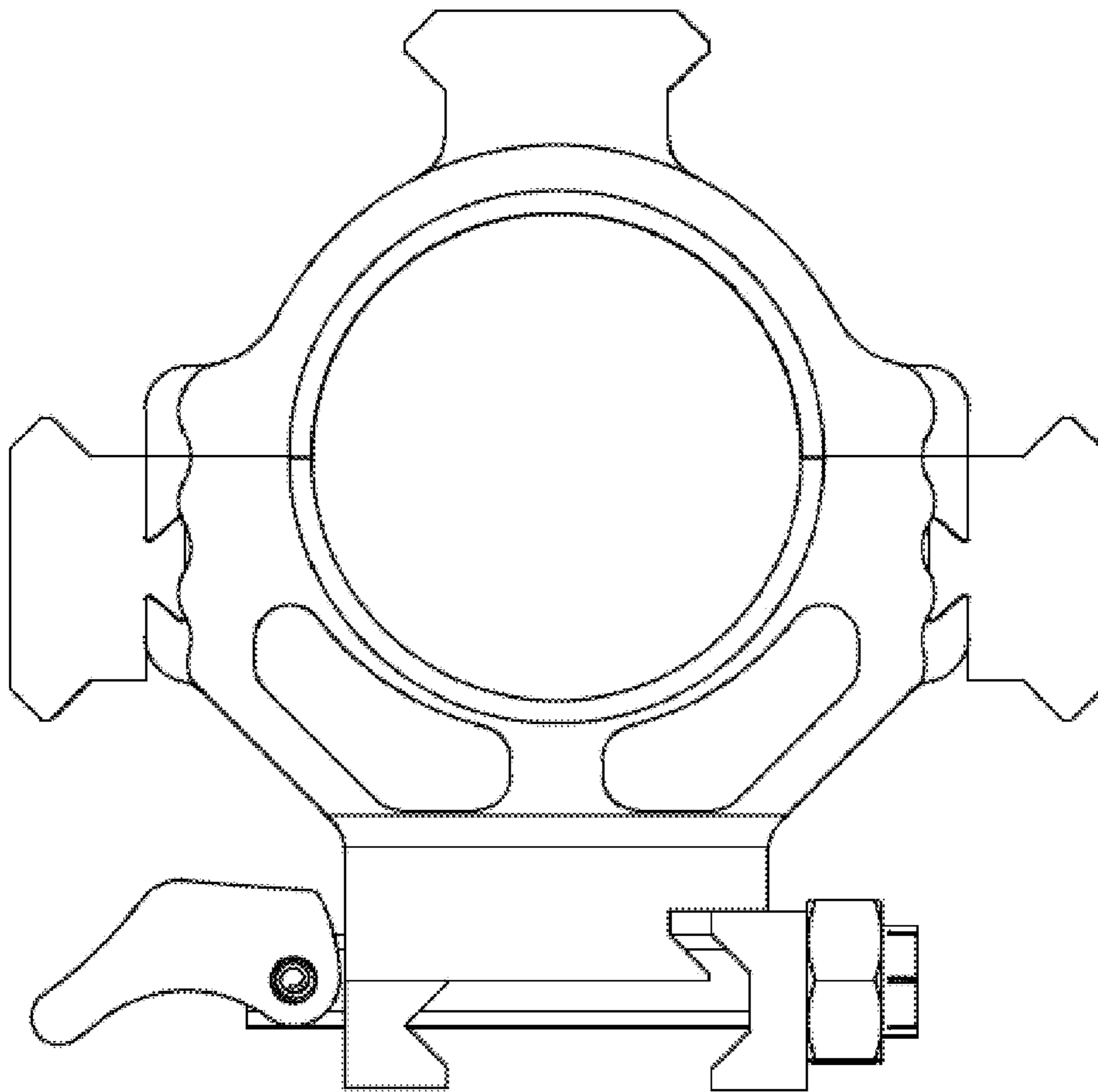


FIG. 6