

US00D713920S

(12) **United States Design Patent**
Lemoine

(10) **Patent No.:** **US D713,920 S**

(45) **Date of Patent:** **** Sep. 23, 2014**

(54) **RAIL EXTRUSION**

(71) Applicant: **Eric Lemoine**, Winter Garden, FL (US)

(72) Inventor: **Eric Lemoine**, Winter Garden, FL (US)

(**) Term: **14 Years**

(21) Appl. No.: **29/455,367**

(22) Filed: **May 20, 2013**

(51) **LOC (10) Cl.** **22-01**

(52) **U.S. Cl.**
USPC **D22/108**

(58) **Field of Classification Search**
USPC D22/108; 124/67, 66, 72, 74; 42/71.01;
89/40.06, 41.19, 37.04, 33.04, 191.01,
89/200-204; D21/572-575
See application file for complete search history.

(56) **References Cited**

U.S. PATENT DOCUMENTS

7,363,741 B2 * 4/2008 DeSomma et al. 42/85
7,584,567 B1 * 9/2009 DeSomma et al. 42/71.01

8,028,459 B2 * 10/2011 Williams 42/90
8,028,460 B2 * 10/2011 Williams 42/90
8,037,633 B1 * 10/2011 Troy 42/71.01
2014/0013642 A1 * 1/2014 Larson, Jr. 42/71.01
2014/0157639 A1 * 6/2014 Larson, Jr. 42/71.01

* cited by examiner

Primary Examiner — Michael A Pratt

(74) *Attorney, Agent, or Firm* — Daniel Law Offices, P.A.;
Jason T. Daniel, Esq

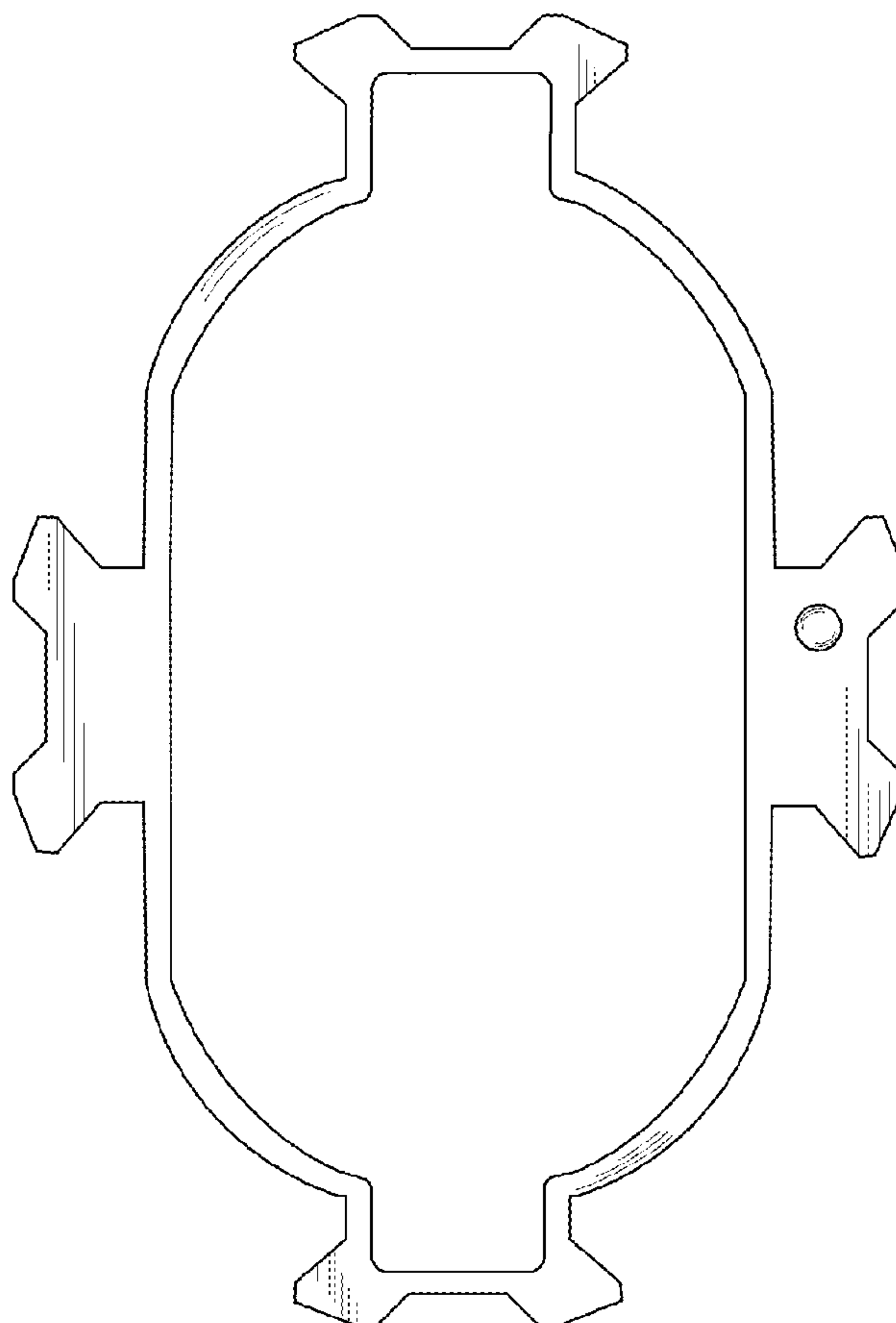
(57) **CLAIM**

The ornamental design for a rail extrusion, as shown.

DESCRIPTION

FIG. 1 is a front end view thereof,
FIG. 2 is a left side view thereof,
FIG. 3 is a top side view thereof,
FIG. 4 is a right side view thereof,
FIG. 5 is a bottom side view thereof,
FIG. 6 is a back end view thereof; and,
FIG. 7 is a perspective view thereof.

1 Claim, 7 Drawing Sheets



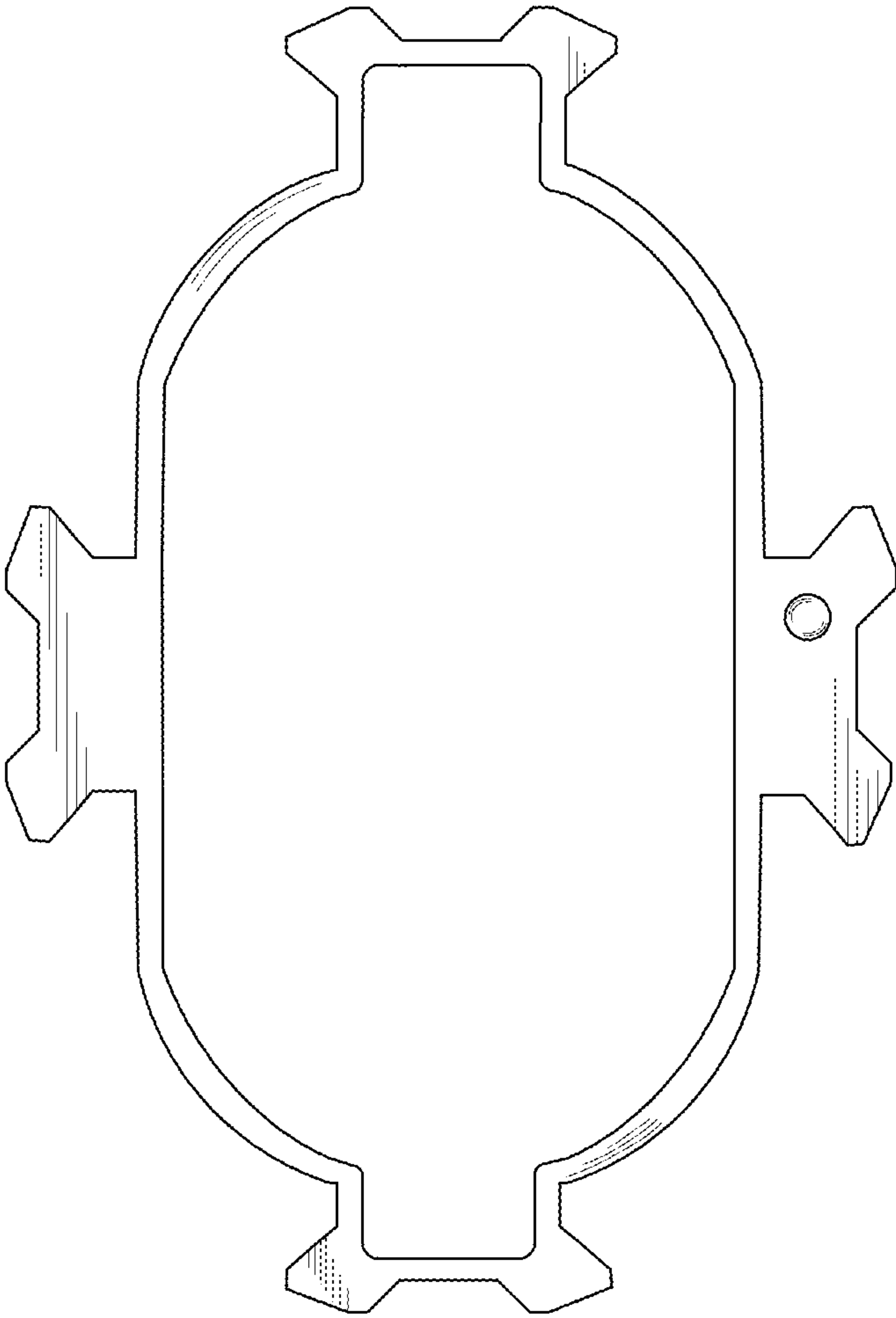


FIG. 1

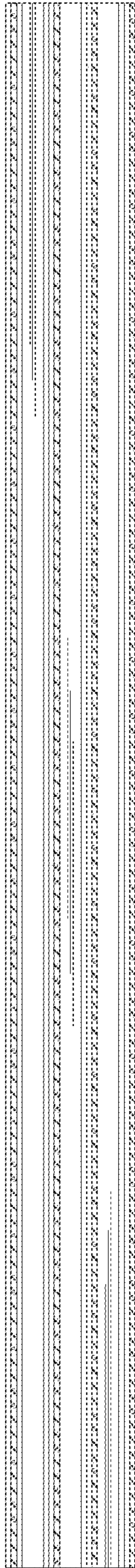


FIG. 2

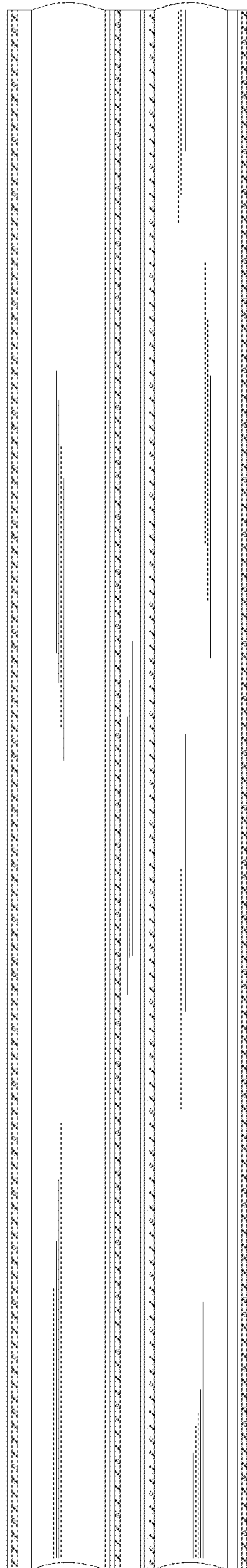


FIG. 3

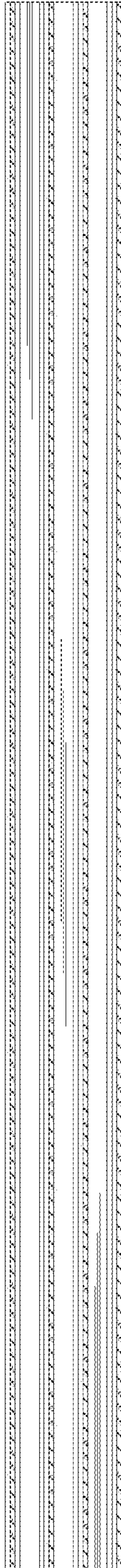


FIG. 4

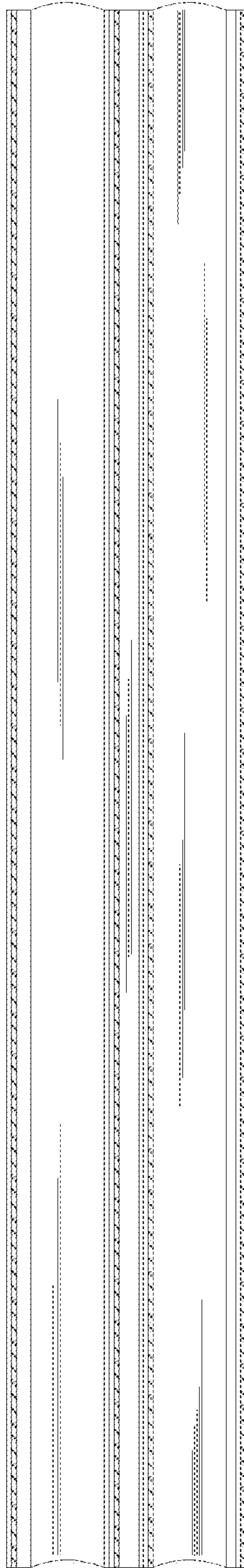


FIG. 5

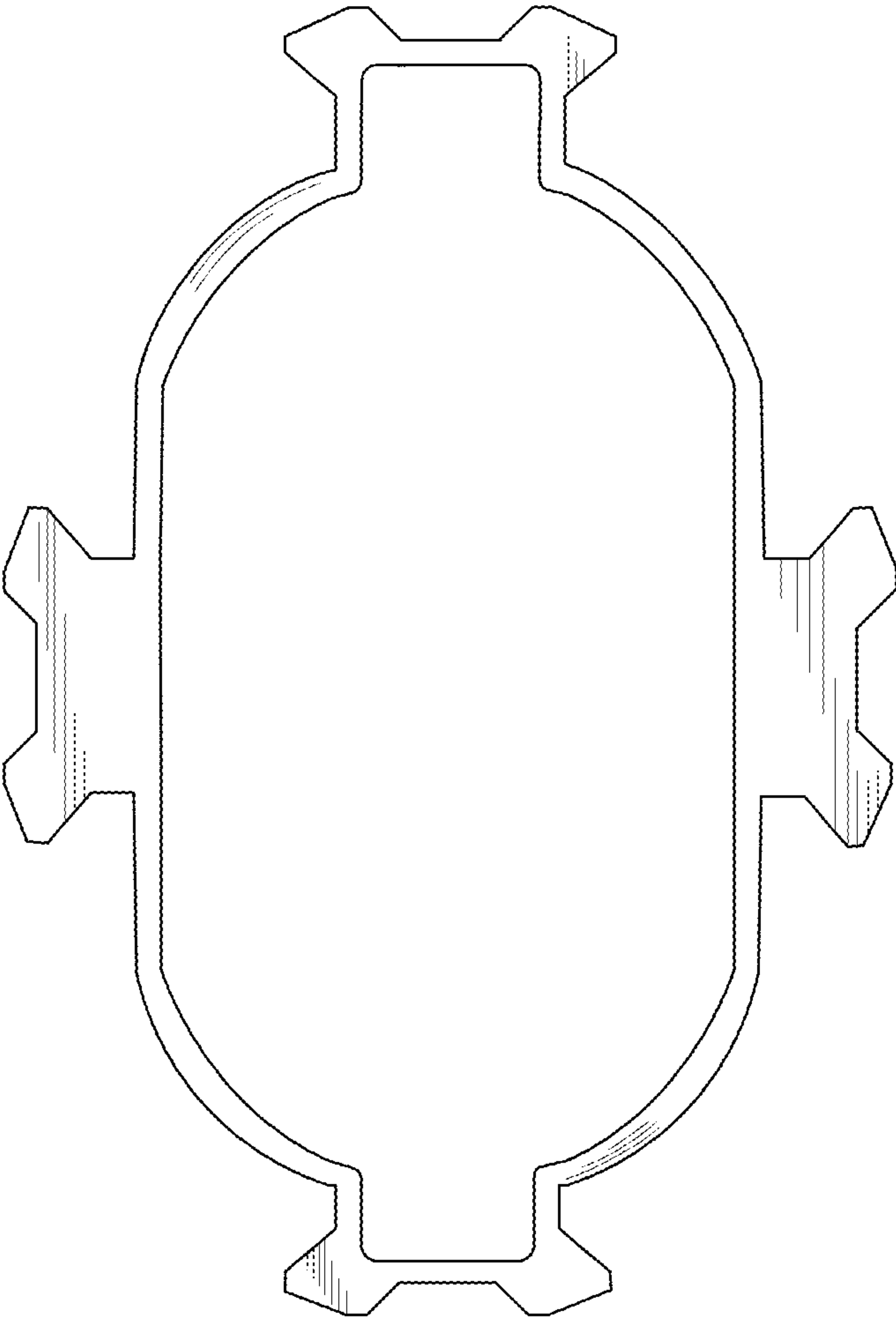


FIG. 6

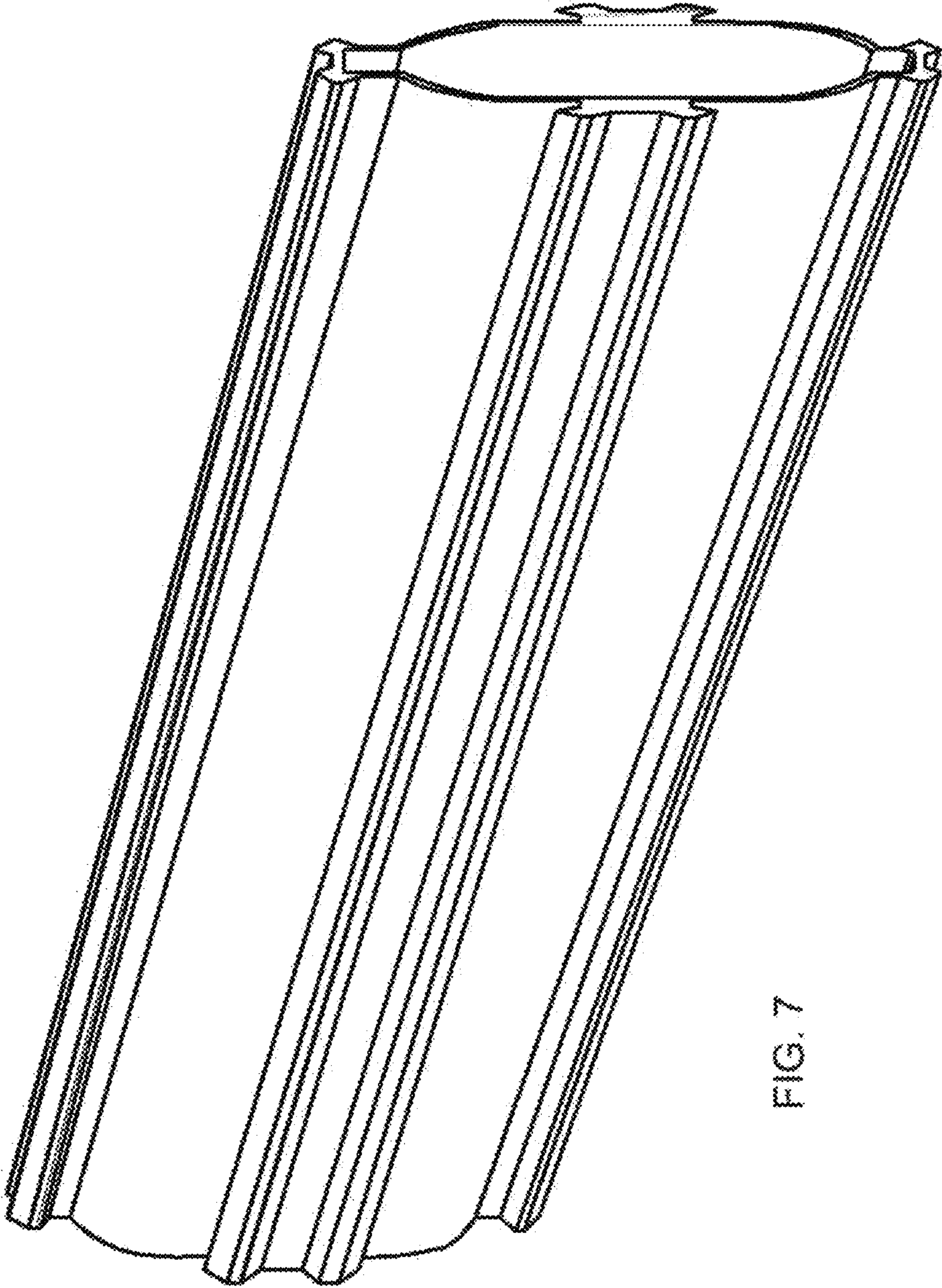


FIG. 7