



US00D713908S

(12) **United States Design Patent**  
**Hilton**

(10) **Patent No.:** **US D713,908 S**

(45) **Date of Patent:** **\*\* \*Sep. 23, 2014**

(54) **GOLF CLUB HEAD ALIGNMENT PATTERN**

(71) Applicant: **Callaway Golf Company**, Carlsbad, CA (US)

(72) Inventor: **Thomas R. Hilton**, Cardiff, CA (US)

(73) Assignee: **Callaway Golf Company**, Carlsbad, CA (US)

(\* ) Notice: This patent is subject to a terminal disclaimer.

(\*\*) Term: **14 Years**

(21) Appl. No.: **29/466,113**

(22) Filed: **Sep. 4, 2013**

(51) **LOC (10) Cl.** ..... **21-02**

(52) **U.S. Cl.**  
USPC ..... **D21/759**

(58) **Field of Classification Search**  
USPC ..... D21/736-746, 759; 473/324-331,  
473/340-341, 251-256  
See application file for complete search history.

(56) **References Cited**

**U.S. PATENT DOCUMENTS**

D458,656 S *	6/2002	Tang et al. ....	D21/738
6,506,125 B2 *	1/2003	Helmstetter et al. ....	473/242
D475,106 S *	5/2003	Tang et al. ....	D21/759
D485,323 S *	1/2004	Wagner et al. ....	D21/744
D531,242 S *	10/2006	Adams .....	D21/746
D542,869 S *	5/2007	Adams .....	D21/742
D623,710 S *	9/2010	Hilton et al. ....	D21/743

D625,764 S *	10/2010	Hilton et al. ....	D21/743
D638,891 S *	5/2011	Nicolette et al. ....	D21/736
D641,814 S *	7/2011	Hilton et al. ....	D21/742
D641,816 S *	7/2011	Rollinson et al. ....	D21/744
D643,485 S *	8/2011	Nicolette et al. ....	D21/736
D645,104 S *	9/2011	Nicolette et al. ....	D21/759
D650,459 S *	12/2011	Rollinson .....	D21/746
D653,718 S *	2/2012	Stokke et al. ....	D21/743
8,480,504 B2 *	7/2013	Hilton et al. ....	473/242
8,517,852 B1 *	8/2013	Hilton et al. ....	473/242
8,550,931 B1 *	10/2013	Hilton et al. ....	473/242
8,696,483 B2 *	4/2014	Hilton et al. ....	473/242
D704,287 S *	5/2014	Tang et al. ....	D21/742

\* cited by examiner

*Primary Examiner* — Mitchell Siegel

(74) *Attorney, Agent, or Firm* — Rebecca Hanovice; Michael A. Catania; Sonia Lari

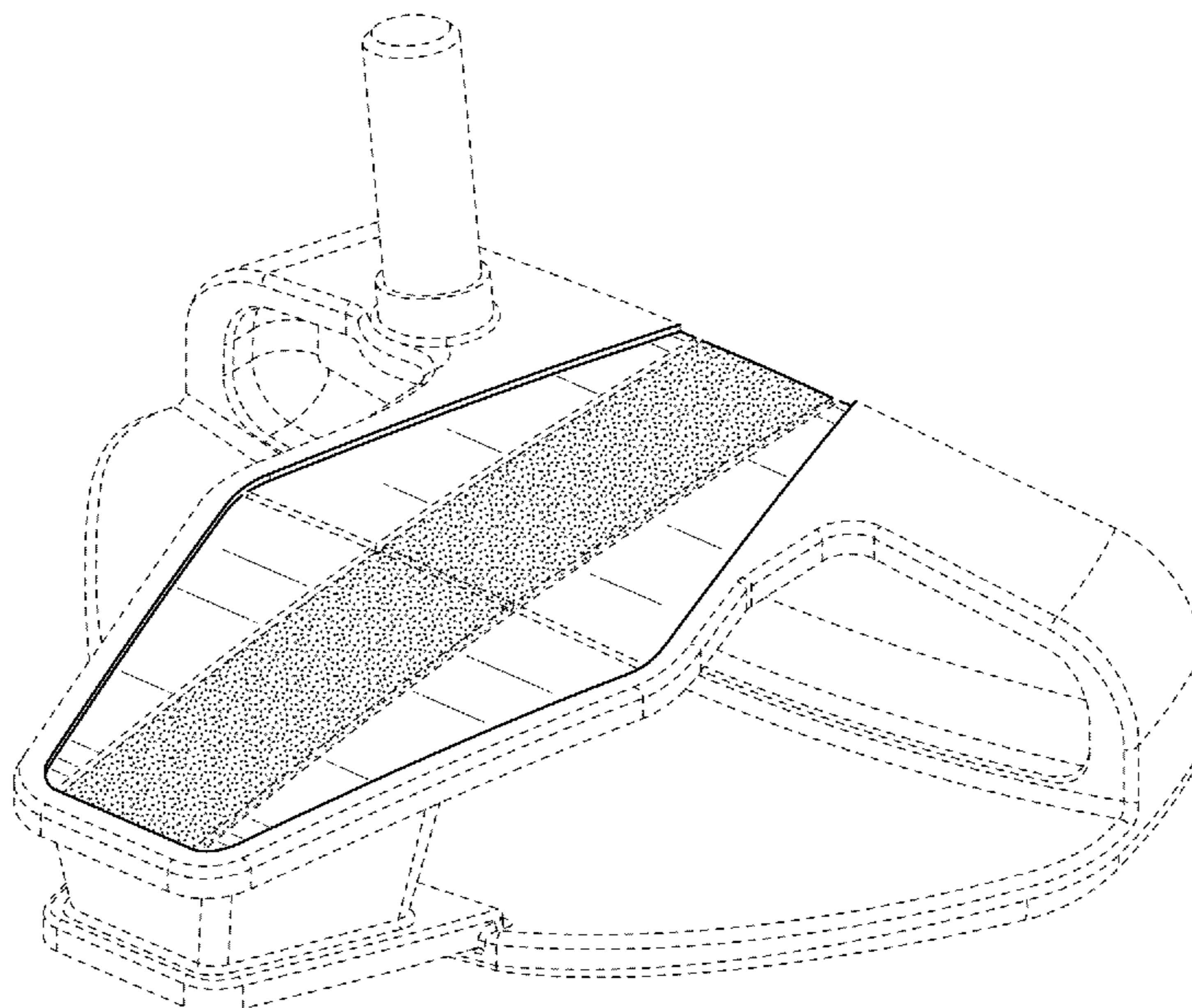
(57) **CLAIM**

The ornamental design for a golf club head alignment pattern, as shown and described.

**DESCRIPTION**

FIG. 1 is a rear perspective view of a golf club head alignment pattern as claimed herein;  
FIG. 2 is a front view thereof;  
FIG. 3 is a rear view thereof;  
FIG. 4 is a right side view thereof;  
FIG. 5 is a left side view thereof;  
FIG. 6 is a top plan view thereof; and,  
FIG. 7 is a bottom plan view thereof.  
The broken lines are included for the purpose of illustration only and form no part of the claimed design.

**1 Claim, 4 Drawing Sheets**



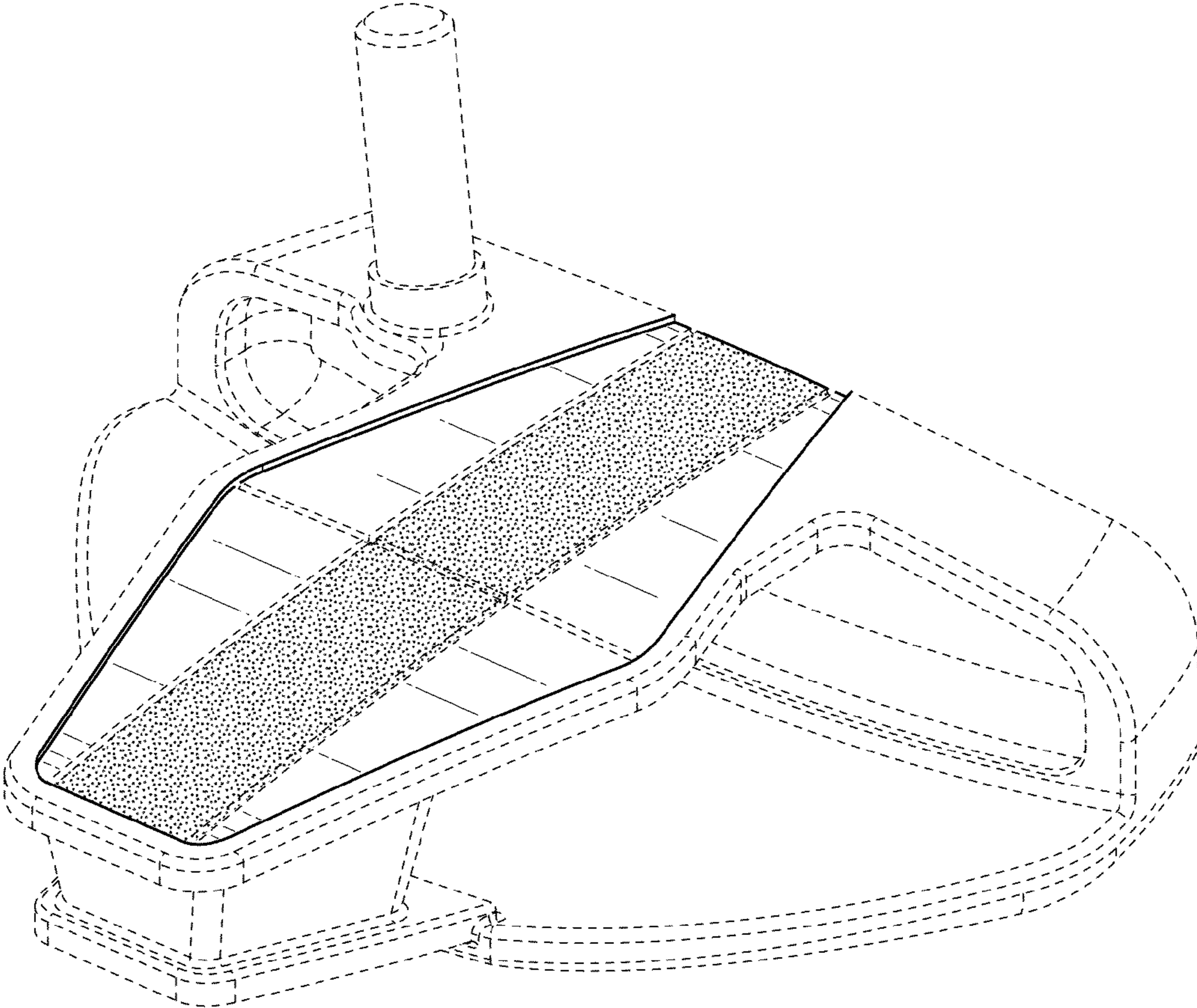


FIG. 1

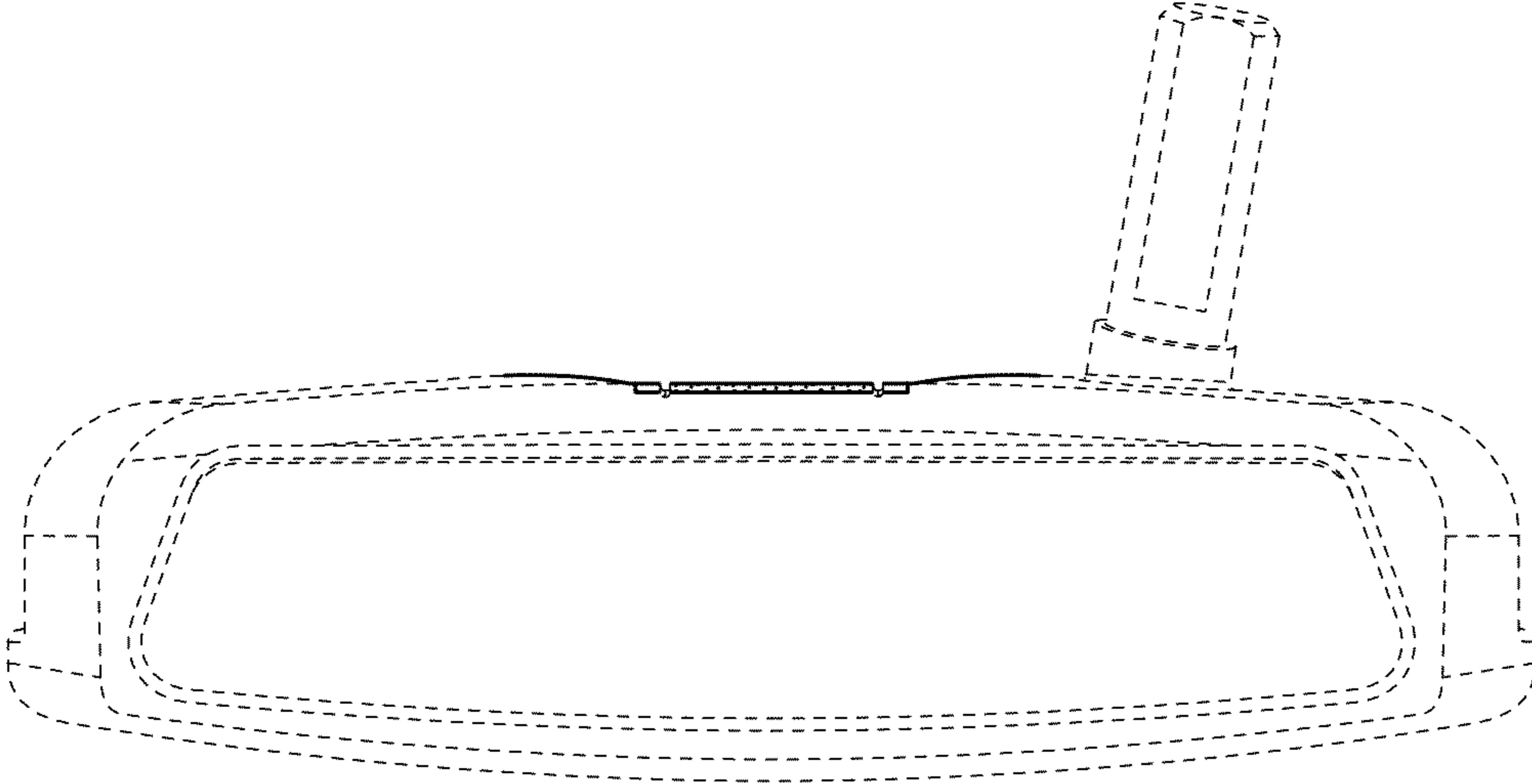


FIG. 2

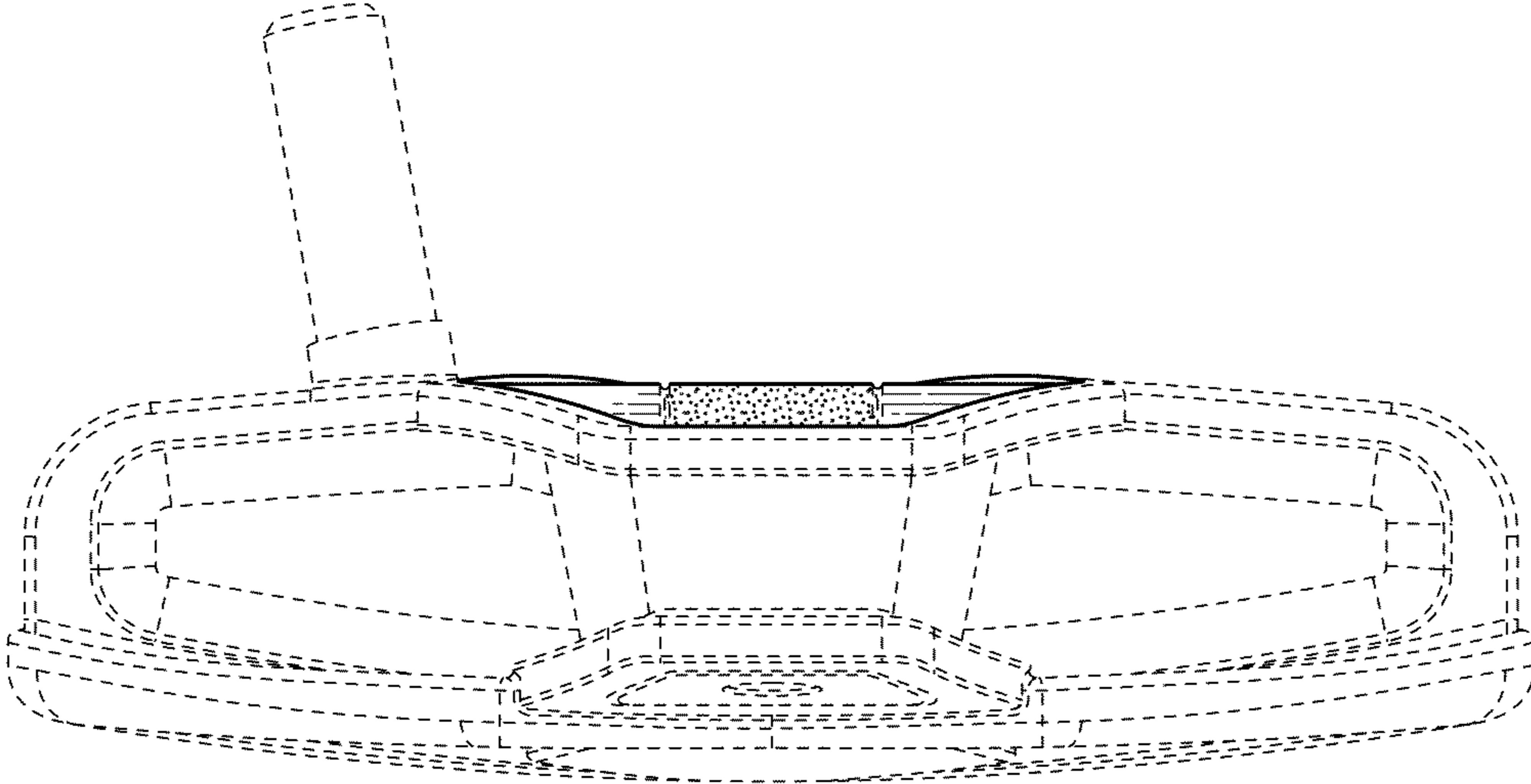


FIG. 3

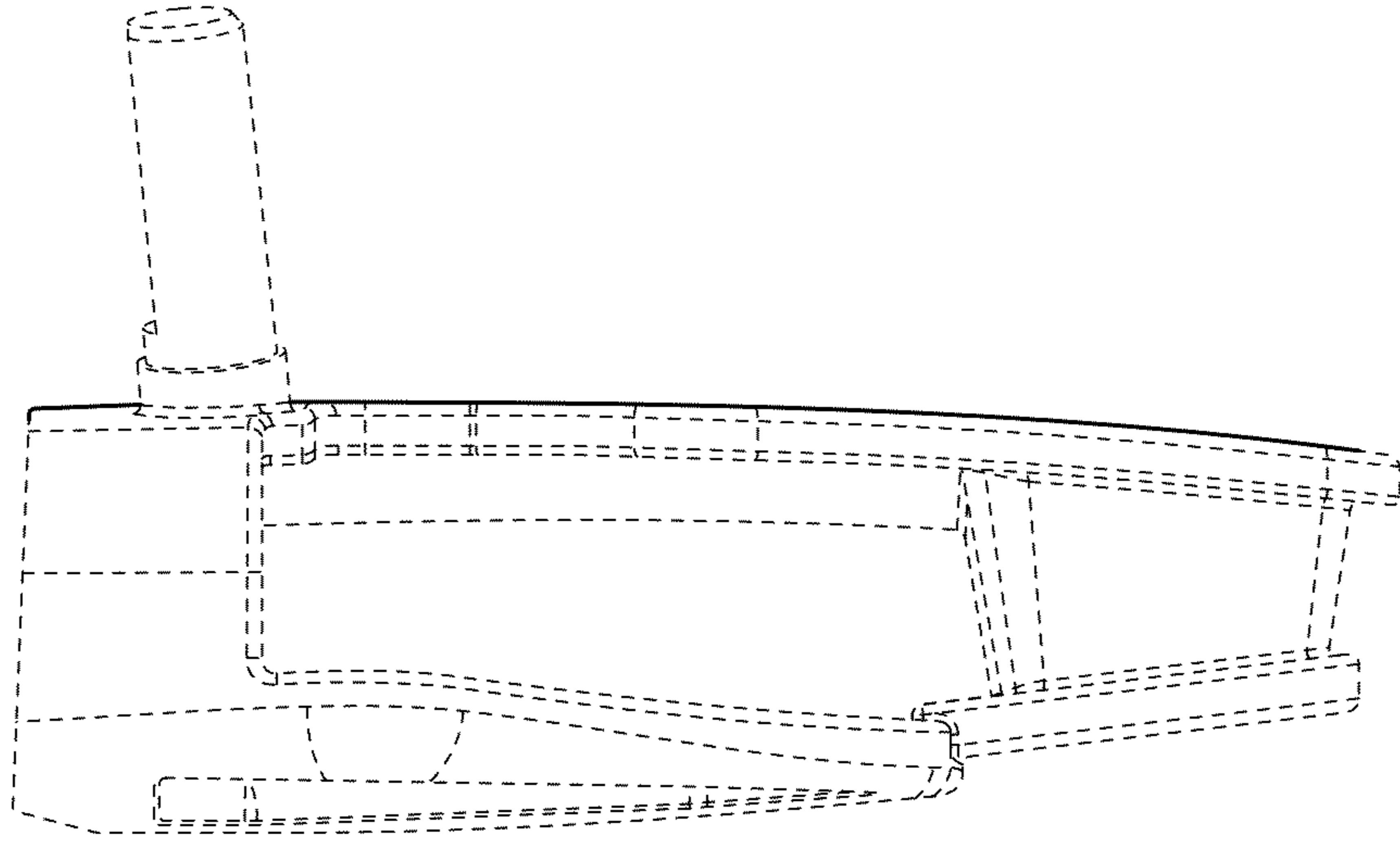


FIG. 4

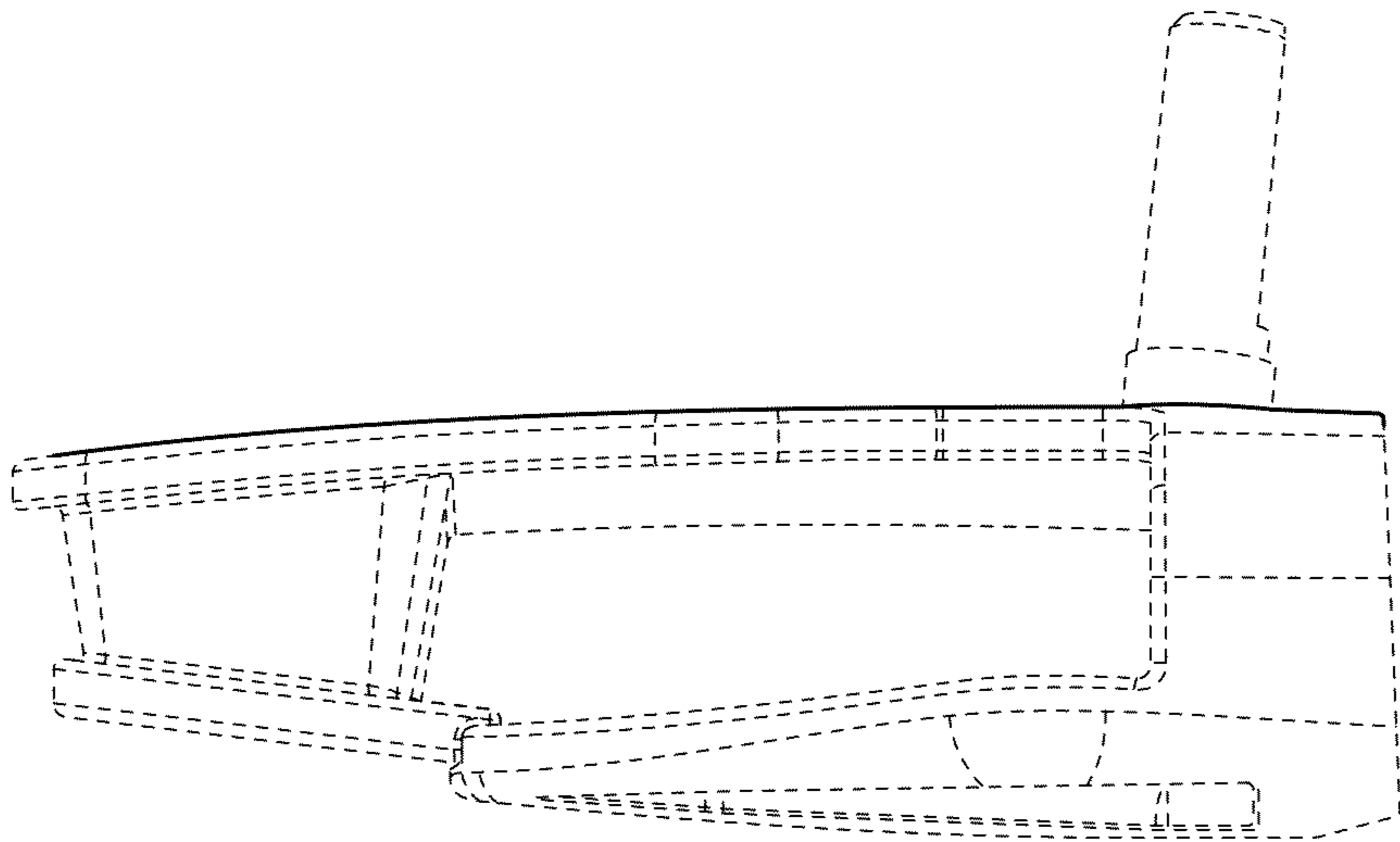


FIG. 5

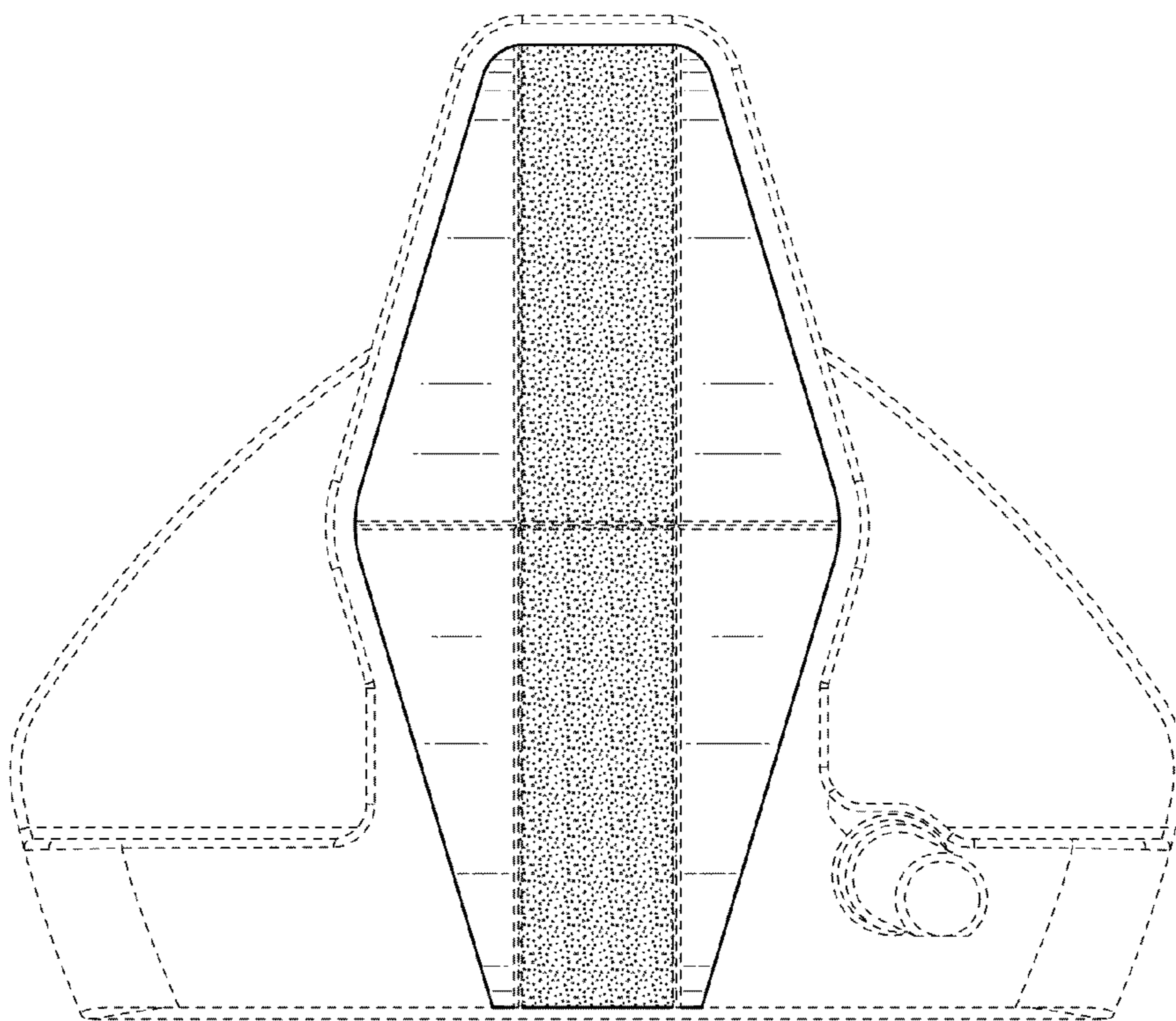


FIG. 6

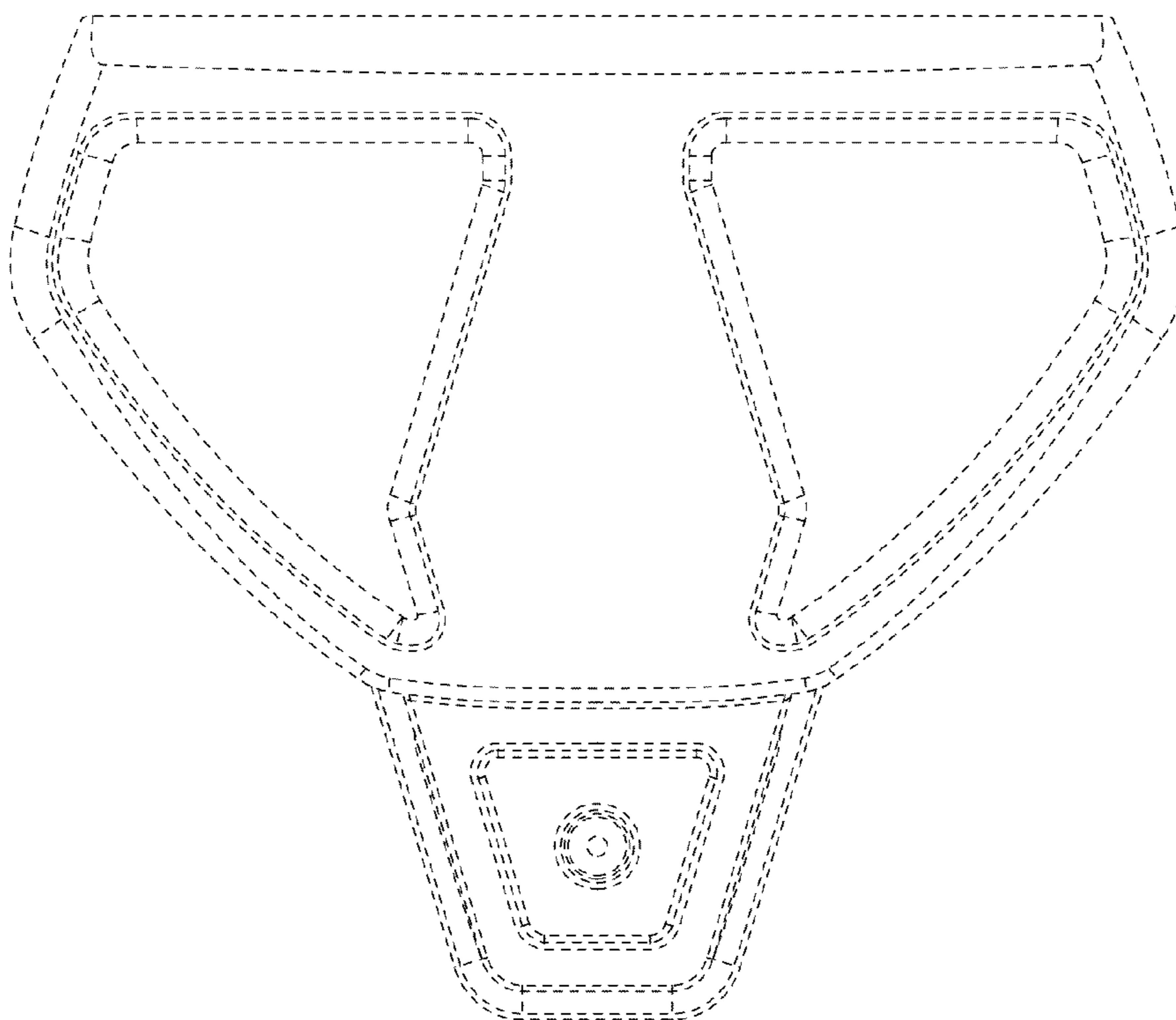


FIG. 7