



US00D713906S

(12) **United States Design Patent**
Tang et al.

(10) **Patent No.:** **US D713,906 S**

(45) **Date of Patent:** **** Sep. 23, 2014**

(54) **GOLF CLUB WEIGHT PORT PLUG**

(71) Applicant: **Callaway Golf Company**, Carlsbad, CA (US)

(72) Inventors: **Larry G. Tang**, Carlsbad, CA (US);
Wee Joung Kim, Vista, CA (US); **James A. Seluga**, Carlsbad, CA (US); **Alan C. Bettencourt**, Solana Beach, CA (US);
Denver Holt, Carlsbad, CA (US)

(73) Assignee: **Callaway Golf Company**, Carlsbad, CA (US)

(**) Term: **14 Years**

(21) Appl. No.: **29/462,420**

(22) Filed: **Aug. 2, 2013**

(51) **LOC (10) Cl.** **21-02**

(52) **U.S. Cl.**
USPC **D21/759**

(58) **Field of Classification Search**
USPC D21/789, 752, 759; 473/324–339,
473/343–346
See application file for complete search history.

(56) **References Cited**

U.S. PATENT DOCUMENTS

6,089,994 A * 7/2000 Sun 473/338
D515,165 S * 2/2006 Zimmerman et al. D21/789

D516,656 S * 3/2006 Hoffman et al. D21/789
D565,143 S * 3/2008 Wilson D21/789
7,530,904 B2 * 5/2009 Beach et al. 473/337
RE41,116 E * 2/2010 Zimmerman et al. D21/789
7,771,290 B2 * 8/2010 Bezilla et al. 473/335
7,771,291 B1 * 8/2010 Willett et al. 473/337
D656,572 S * 3/2012 Foster et al. D21/789
8,197,358 B1 * 6/2012 Watson et al. 473/334
8,262,506 B2 * 9/2012 Watson et al. 473/334
8,430,763 B2 * 4/2013 Beach et al. 473/307
D697,155 S * 1/2014 Sargent et al. D21/759
8,753,222 B2 * 6/2014 Beach et al. 473/307
8,758,153 B2 * 6/2014 Sargent et al. 473/246

* cited by examiner

Primary Examiner — Mitchell Siegel

(74) *Attorney, Agent, or Firm* — Rebecca Hanovice;
Michael A. Catania; Sonia Lari

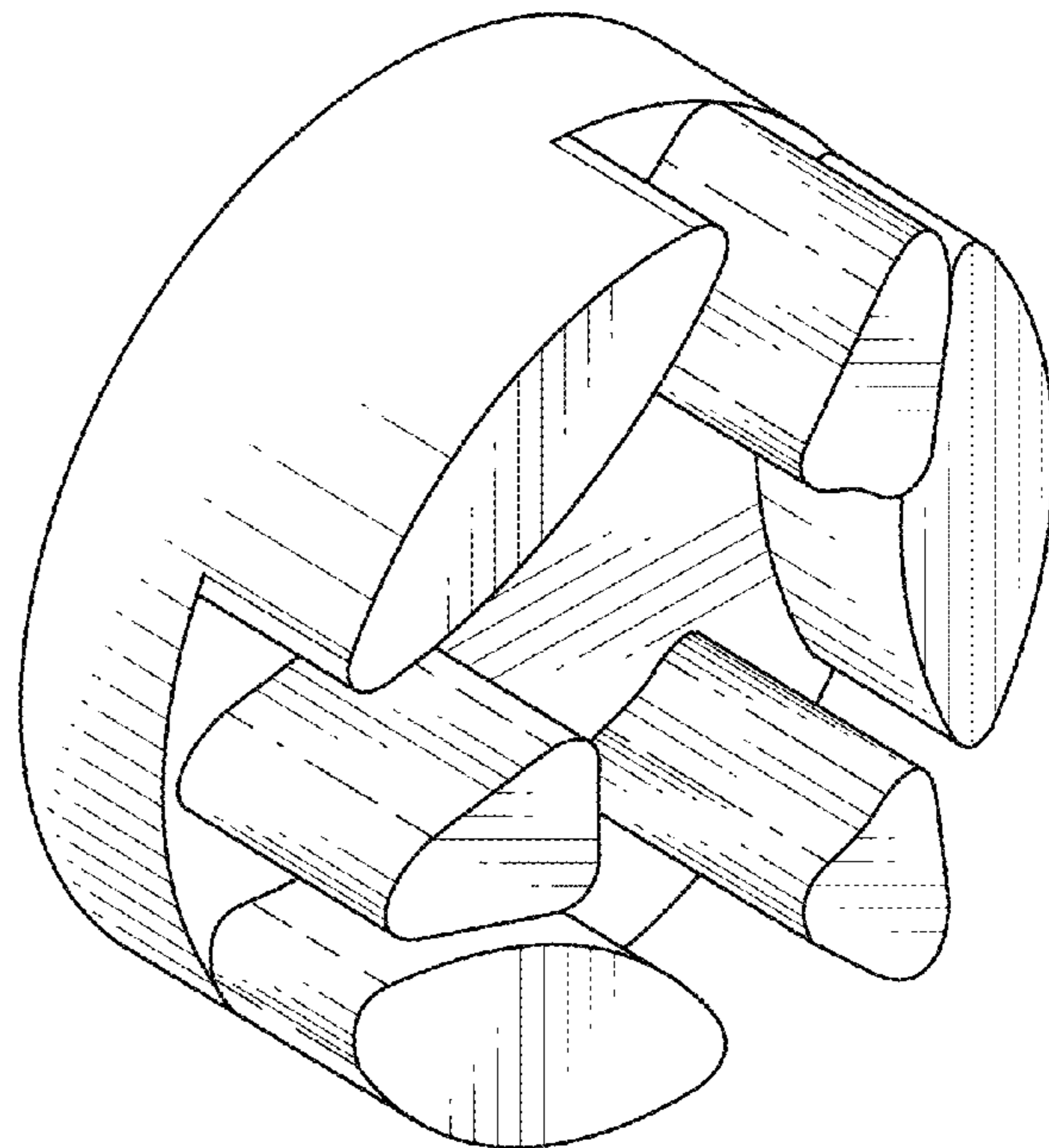
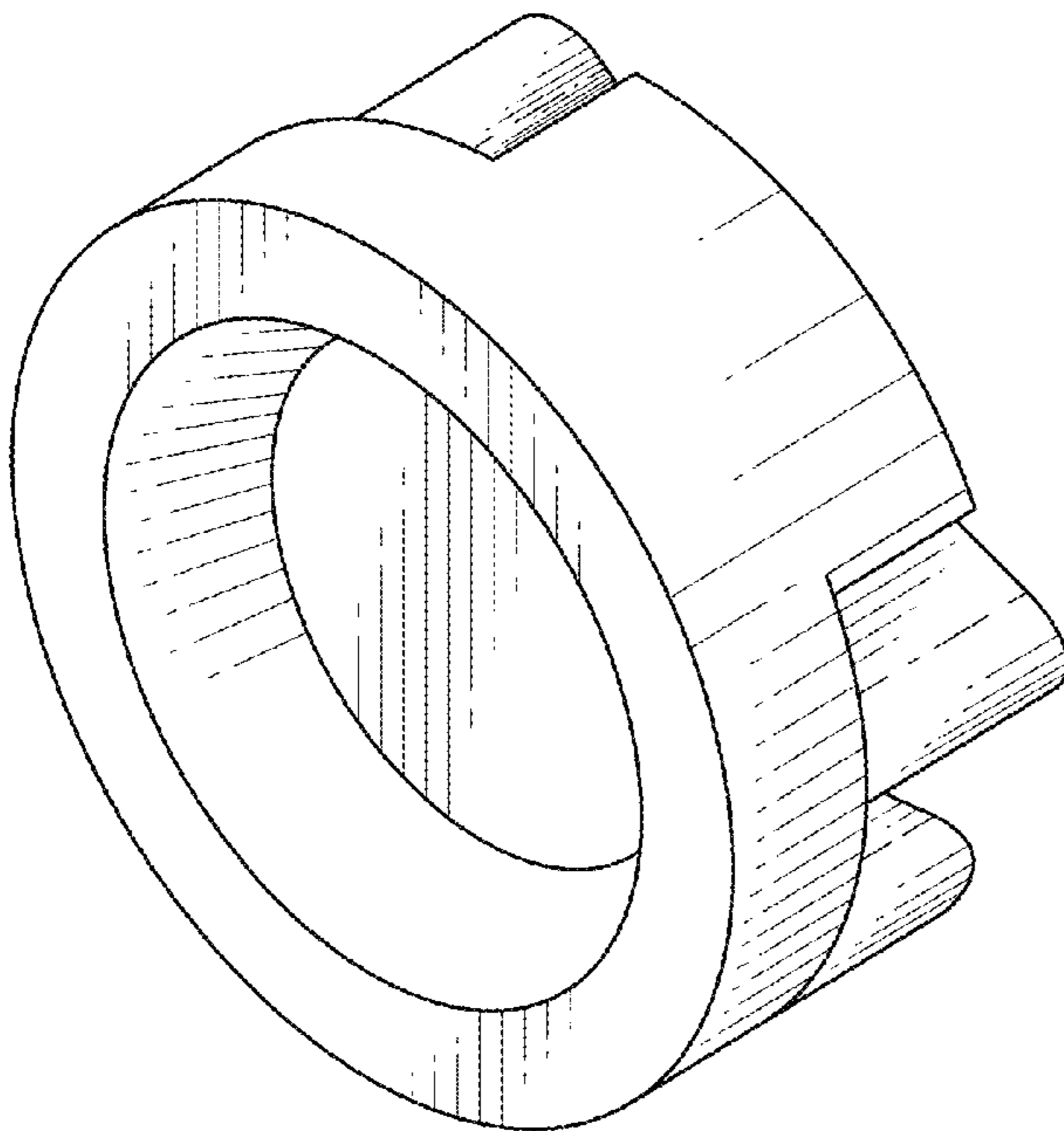
(57) **CLAIM**

The ornamental design for a golf club weight port plug, as shown and described.

DESCRIPTION

FIG. 1 is a bottom perspective view of the golf club weight port plug as claimed herein;
FIG. 2 is a top perspective view thereof;
FIG. 3 is a top plan view thereof;
FIG. 4 is a bottom plan view thereof;
FIG. 5 is a right side view thereof;
FIG. 6 is a left side view thereof;
FIG. 7 is a front view thereof; and,
FIG. 8 is a rear view thereof.

1 Claim, 3 Drawing Sheets



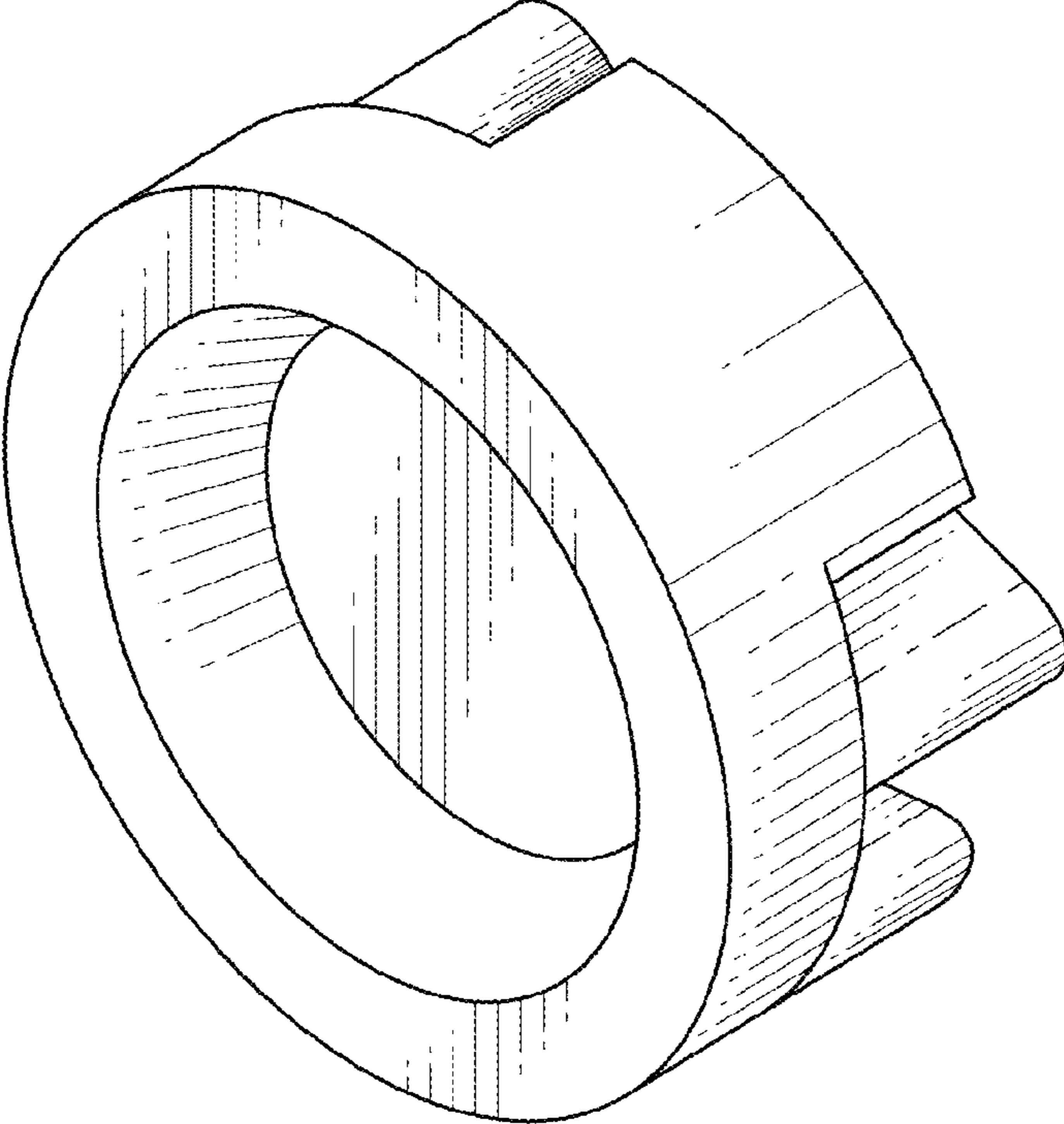


FIG. 1

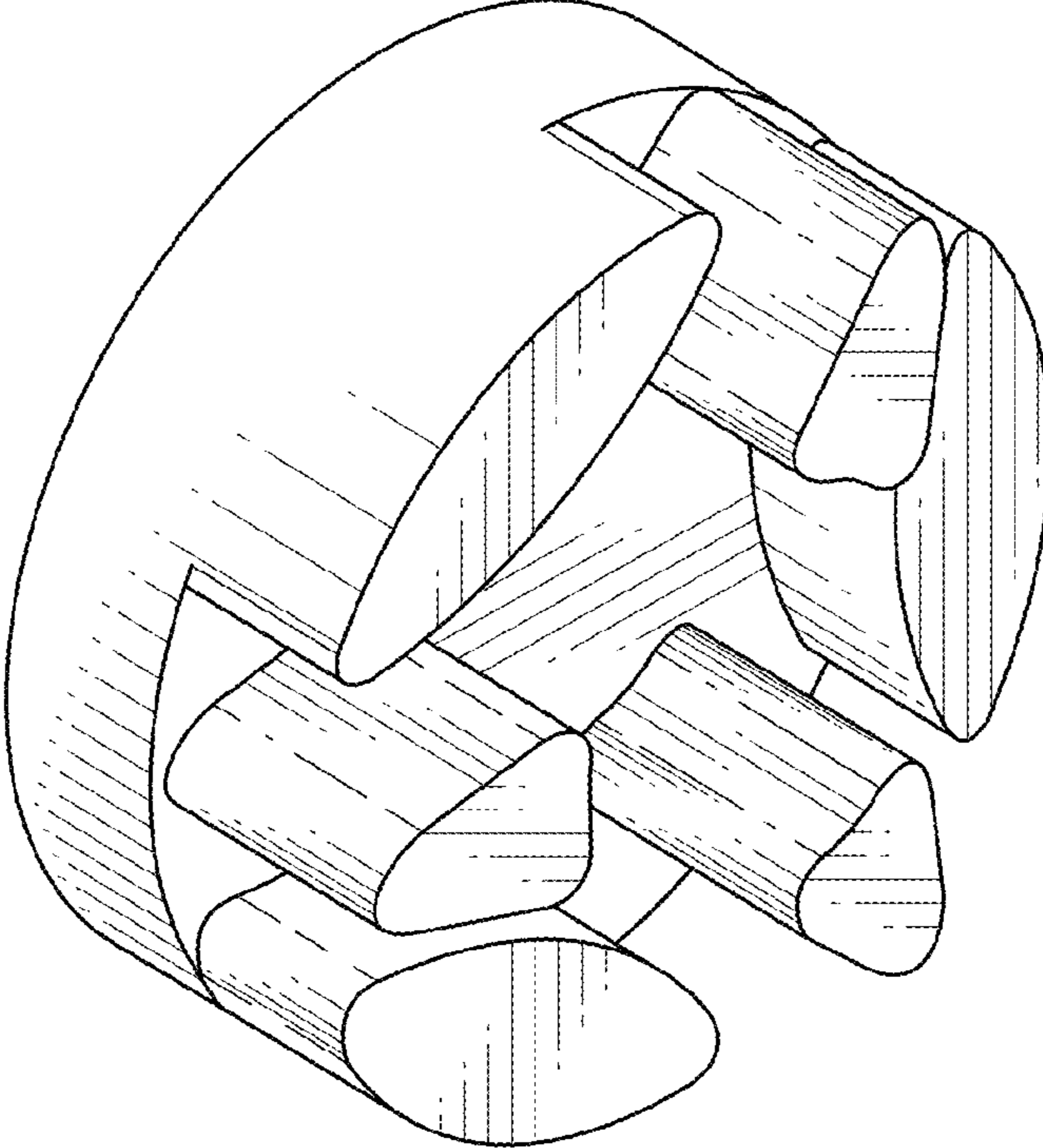


FIG. 2

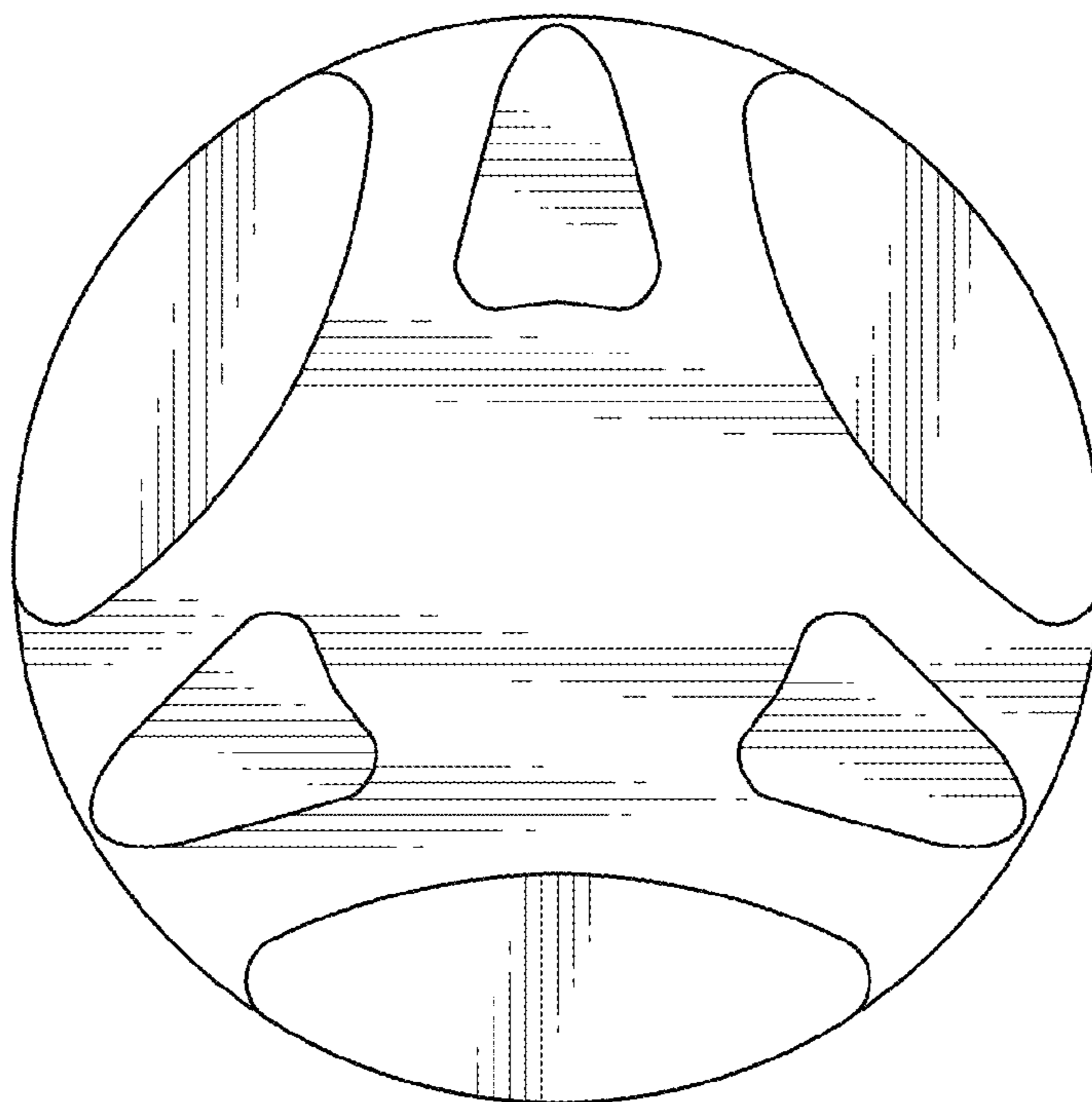


FIG. 3

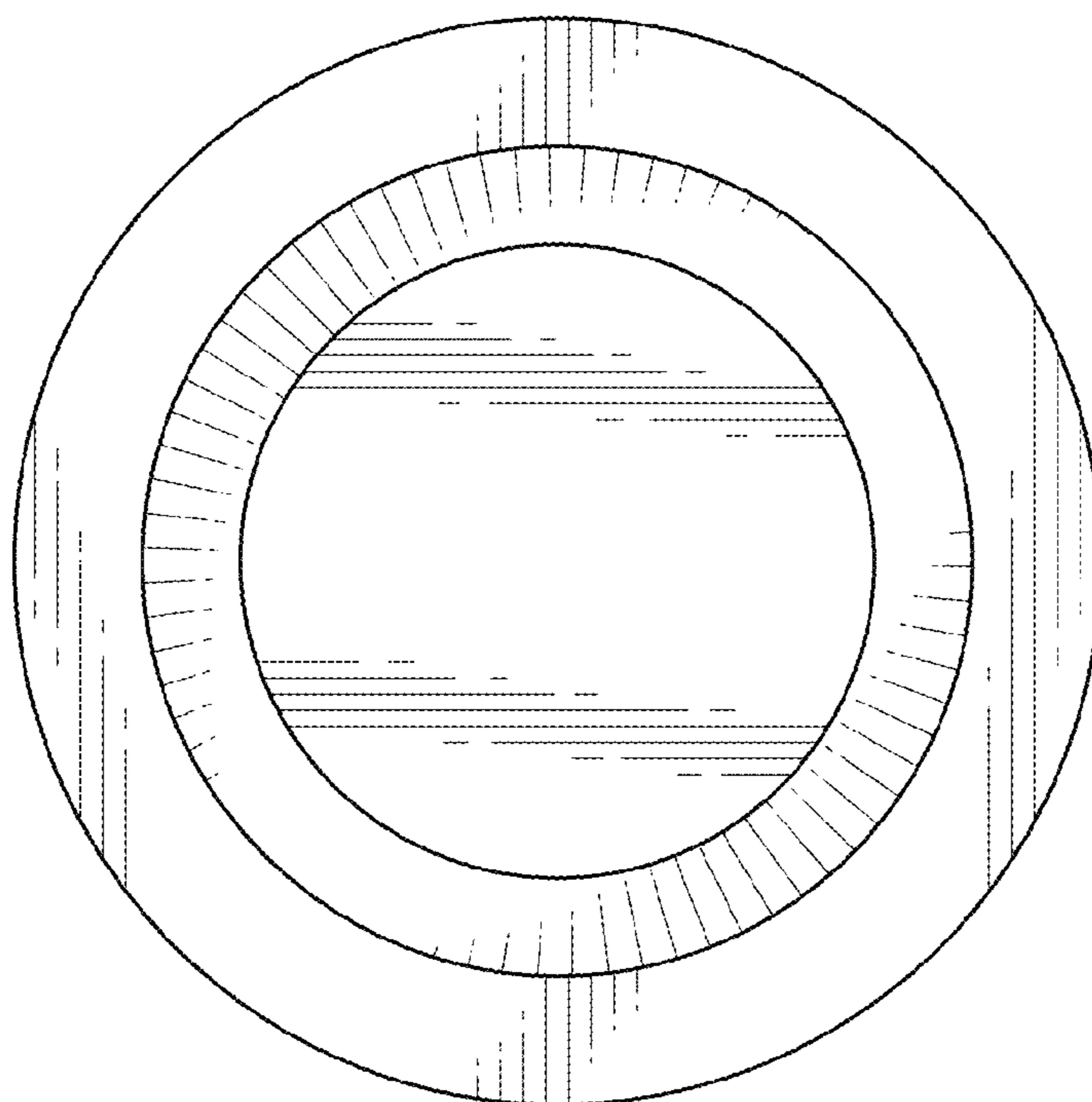


FIG. 4

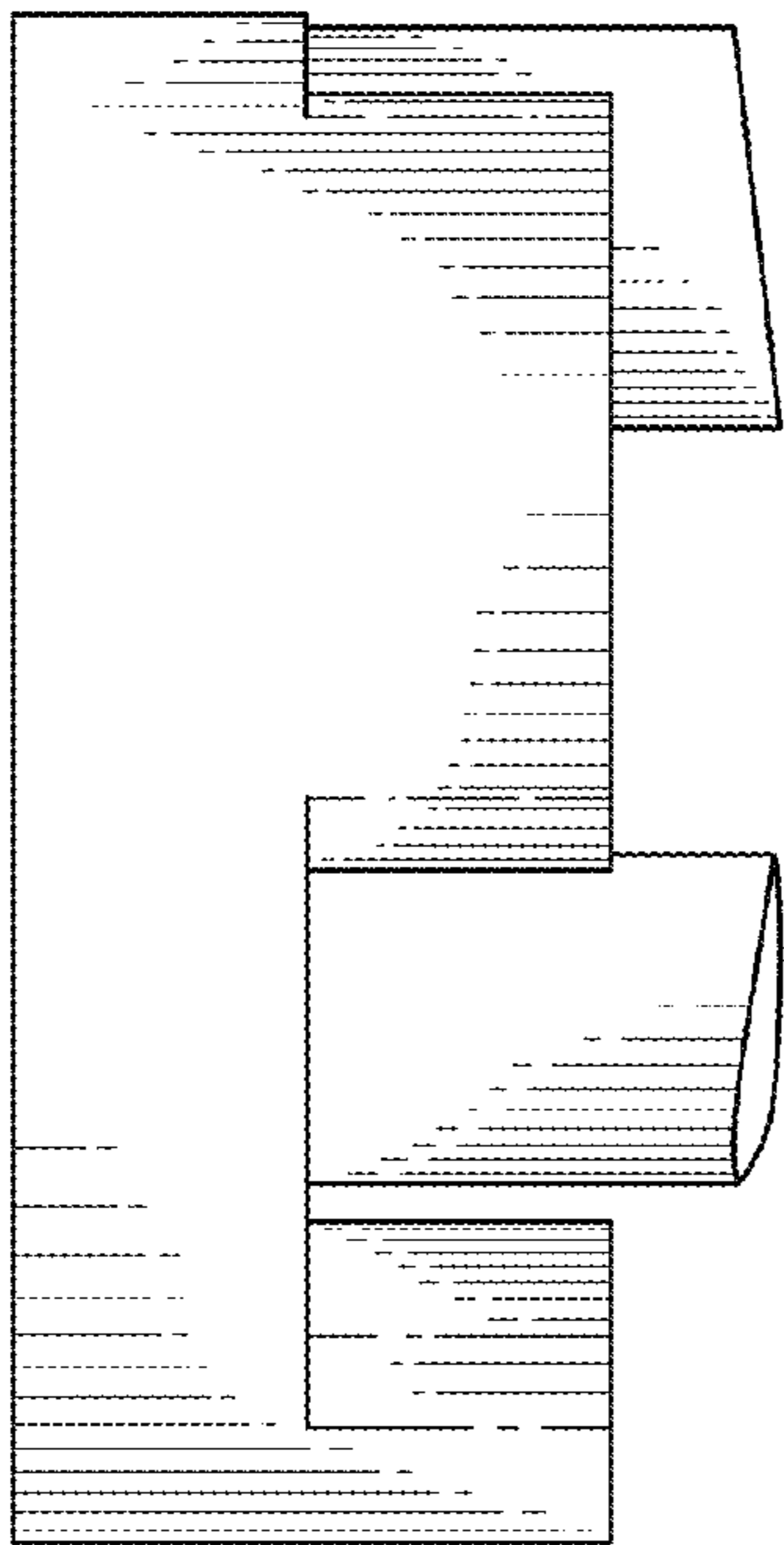


FIG. 5



FIG. 6

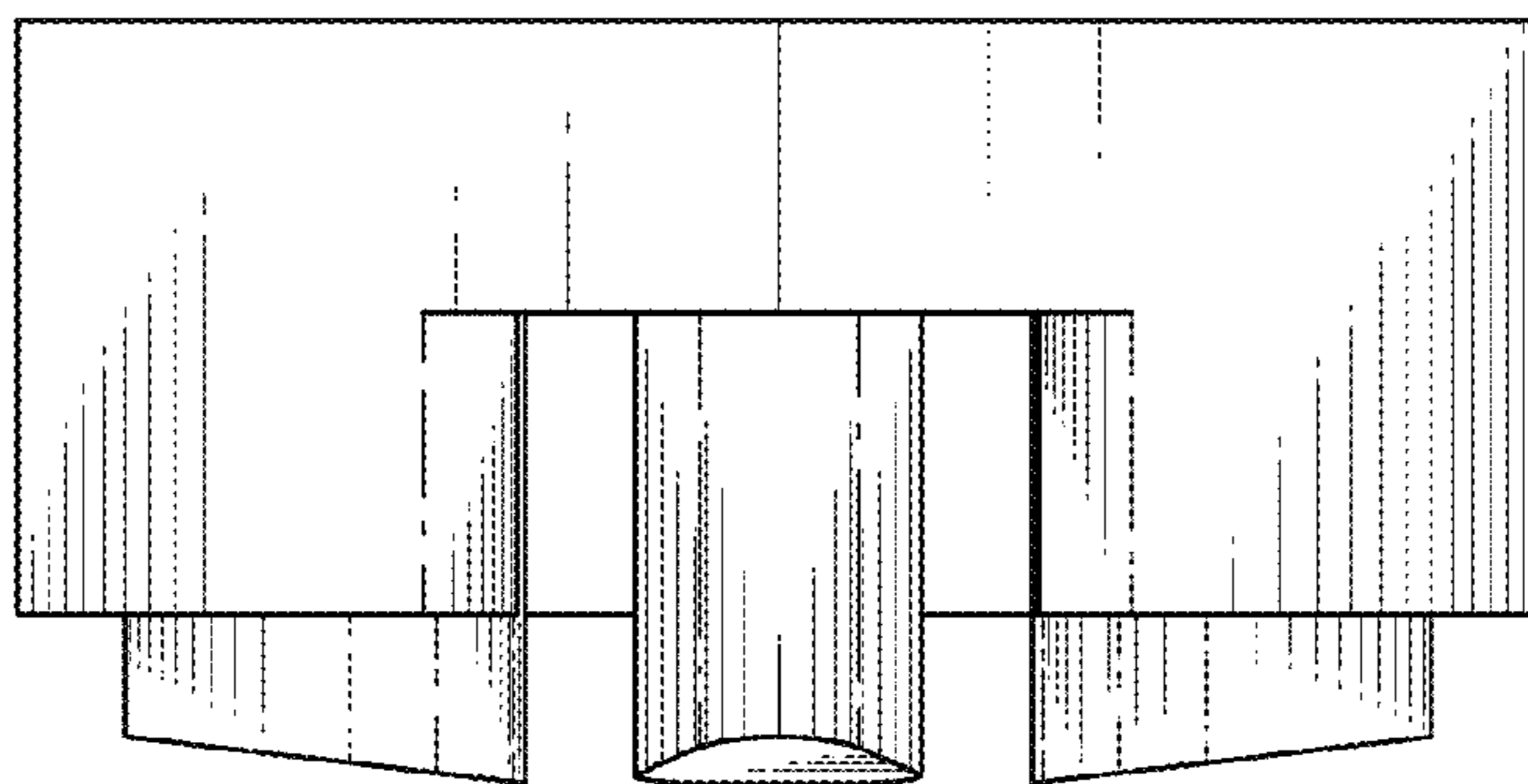


FIG. 7

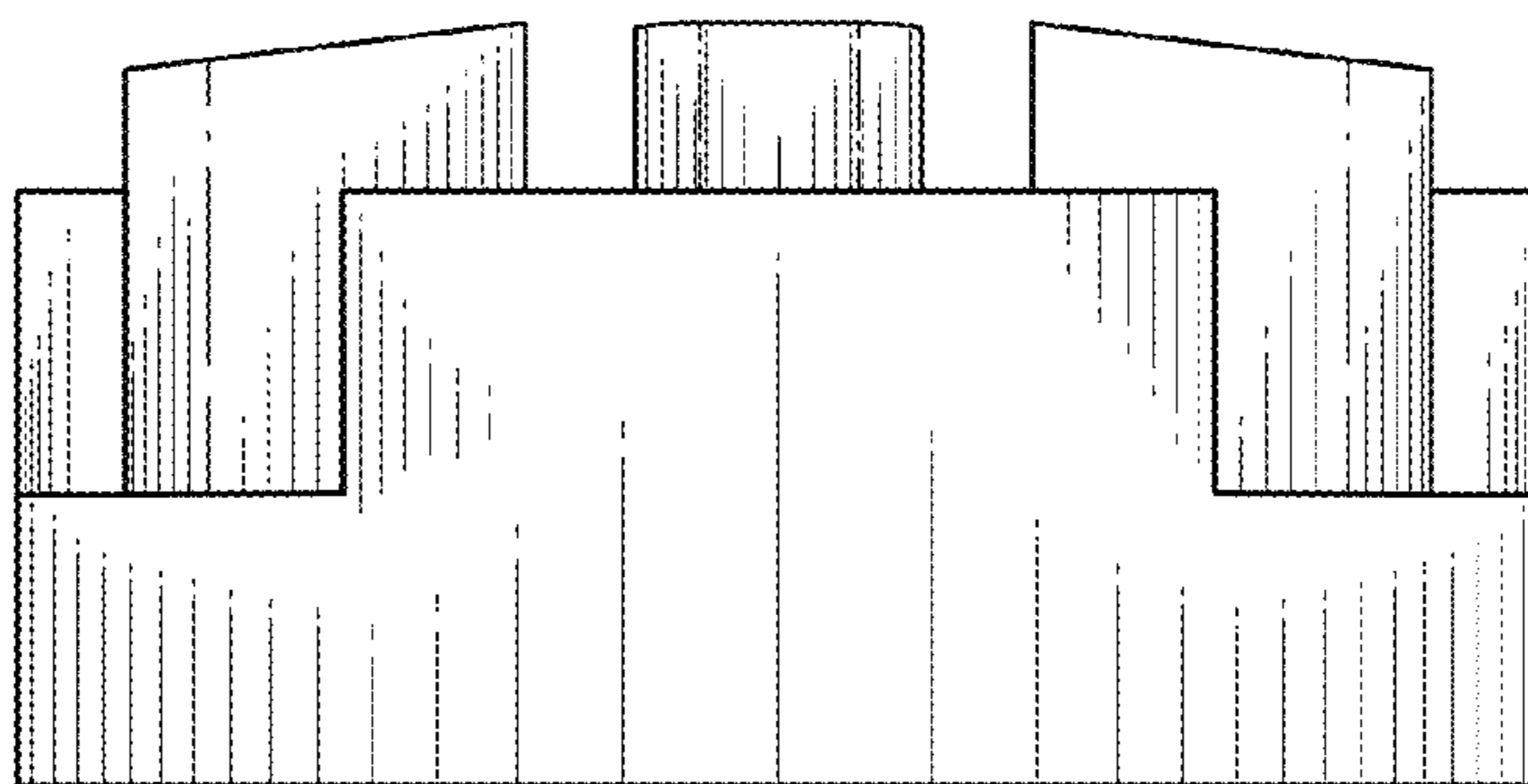


FIG. 8