



US00D713904S

(12) **United States Design Patent**  
**Kono**

(10) **Patent No.:** **US D713,904 S**

(45) **Date of Patent:** **\*\* Sep. 23, 2014**

- (54) **HEAD FOR GOLF CLUB**
- (71) Applicant: **Dunlop Sports Co. Ltd.**, Kobe (JP)
- (72) Inventor: **Masaru Kono**, Kobe (JP)
- (73) Assignee: **Dunlop Sports Co. Ltd.**, Kobe (JP)
- (\*\*) Term: **14 Years**
- (21) Appl. No.: **29/462,055**
- (22) Filed: **Jul. 30, 2013**
- (51) **LOC (10) Cl.** ..... **21-02**
- (52) **U.S. Cl.**  
USPC ..... **D21/759**
- (58) **Field of Classification Search**  
USPC ..... **D21/752, 759; 473/324-331, 350**  
See application file for complete search history.

- D563,497 S \* 3/2008 Mahaffey et al. .... D21/747
- D622,796 S \* 8/2010 Kadoya ..... D21/759
- D691,685 S \* 10/2013 Cyrulik et al. .... D21/759

\* cited by examiner

*Primary Examiner* — Mitchell Siegel

(74) *Attorney, Agent, or Firm* — Birch, Stewart, Kolasch & Birch, LLP

(57) **CLAIM**

The ornamental design for a head for golf club, as shown and described.

**DESCRIPTION**

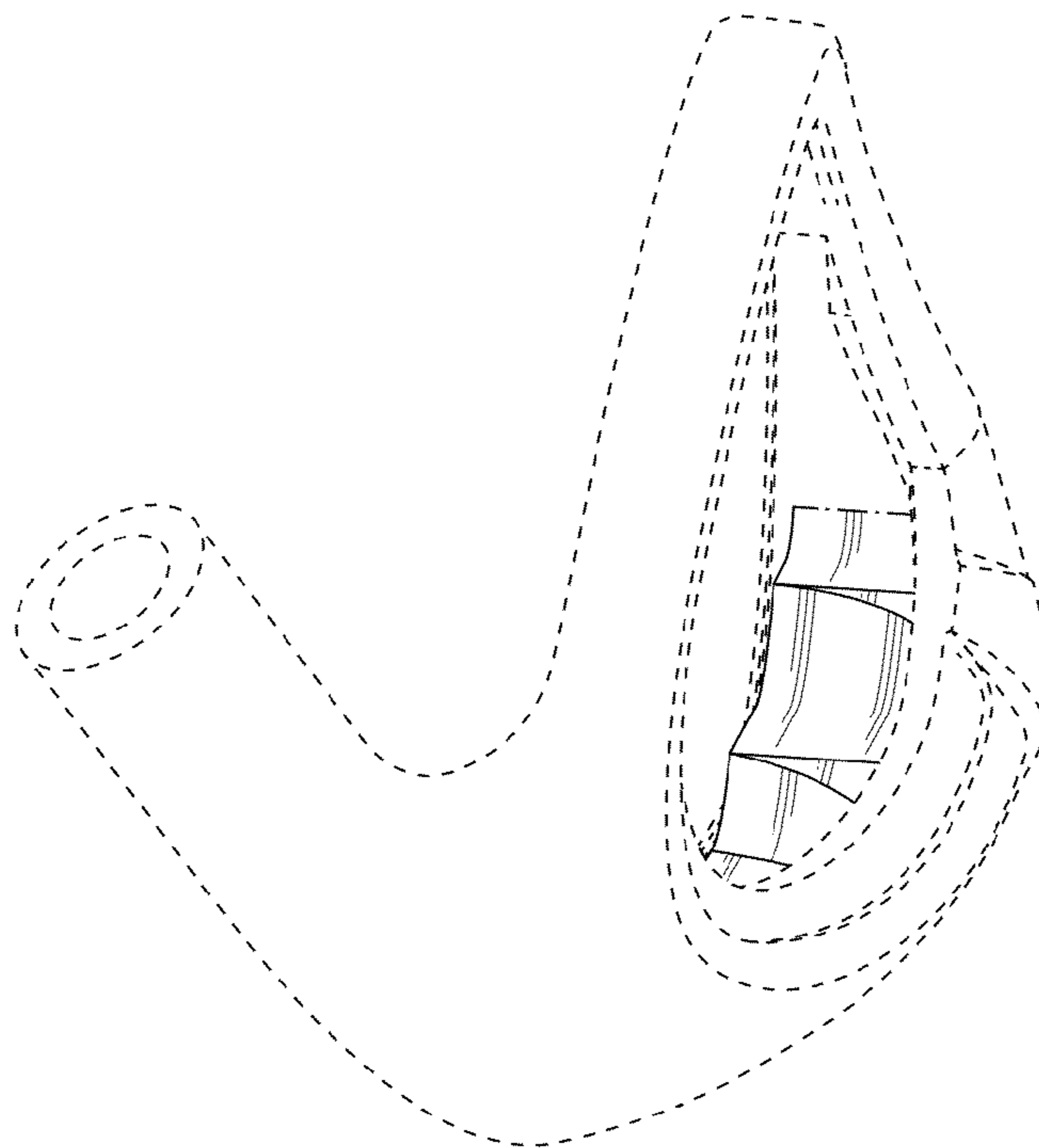
FIG. 1 is a first perspective view of a head for golf club;  
 FIG. 2 is a second perspective view thereof;  
 FIG. 3 is a left side view thereof;  
 FIG. 4 is a top view thereof;  
 FIG. 5 is a cross-sectional view taken along line 5-5 in FIG. 3 thereof; and,  
 FIG. 6 is a cross-sectional view taken along line 6-6 in FIG. 3 thereof.  
 The portion shown by broken lines is for illustrative purposes only and forms no part of the claimed design.  
 The dashed lines show a borderline between the claimed design and other portion.

(56) **References Cited**

U.S. PATENT DOCUMENTS

- D382,616 S \* 8/1997 Heffley ..... D21/749
- D490,490 S \* 5/2004 Gilbert et al. .... D21/759
- D512,474 S \* 12/2005 Madore ..... D21/759
- D512,475 S \* 12/2005 Madore ..... D21/759
- D516,654 S \* 3/2006 Kono ..... D21/759
- D528,620 S \* 9/2006 Kohno ..... D21/759
- D529,114 S \* 9/2006 Madore ..... D21/759

**1 Claim, 3 Drawing Sheets**



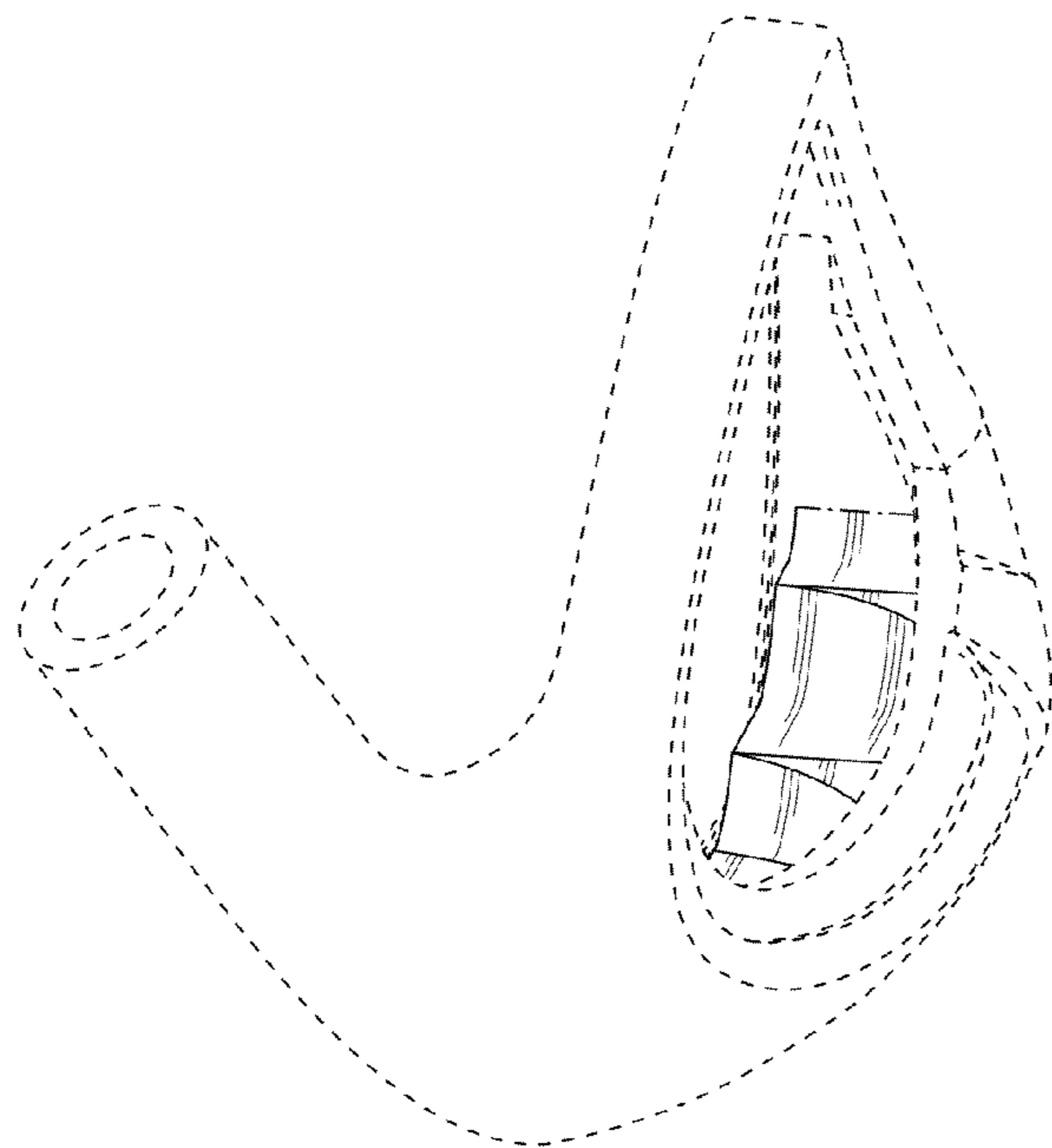


FIG. 1

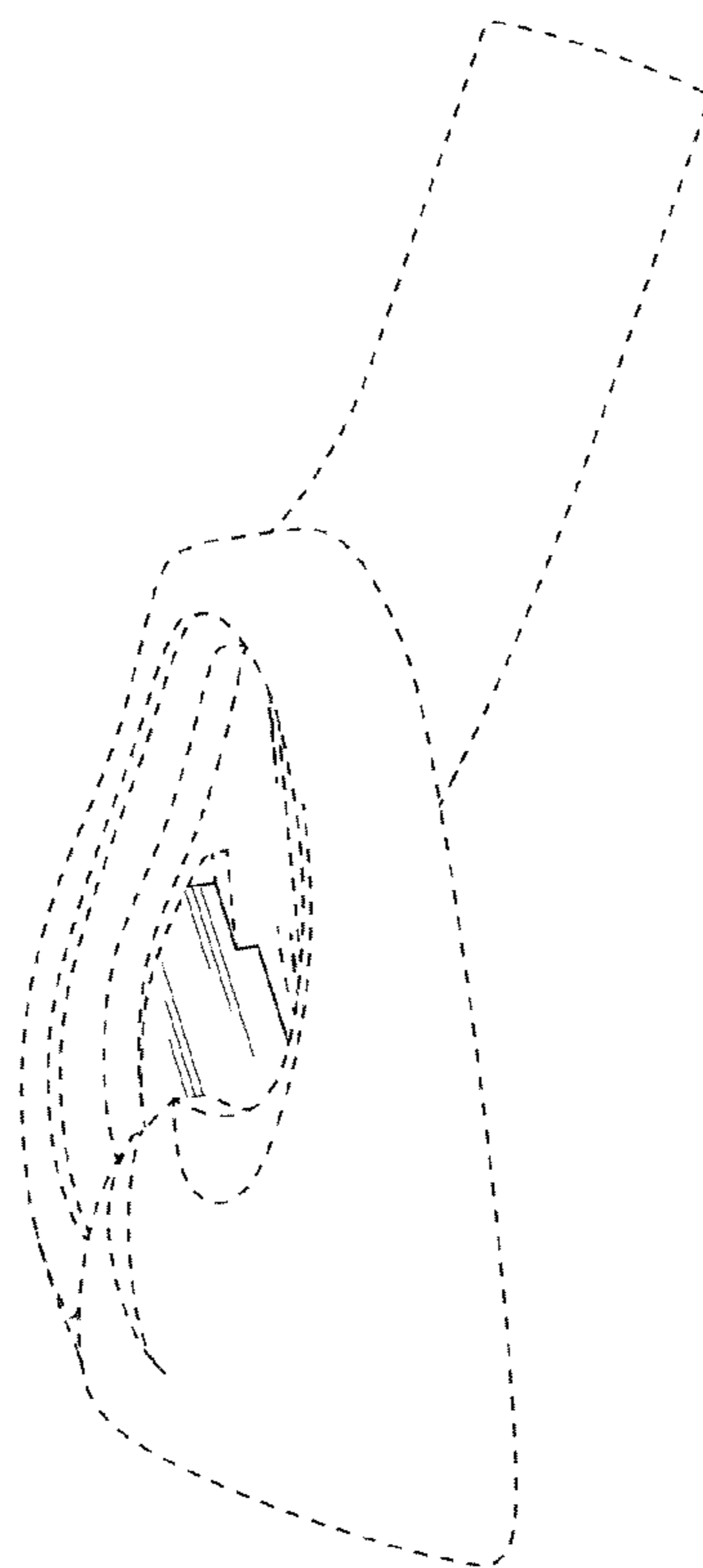


FIG. 2

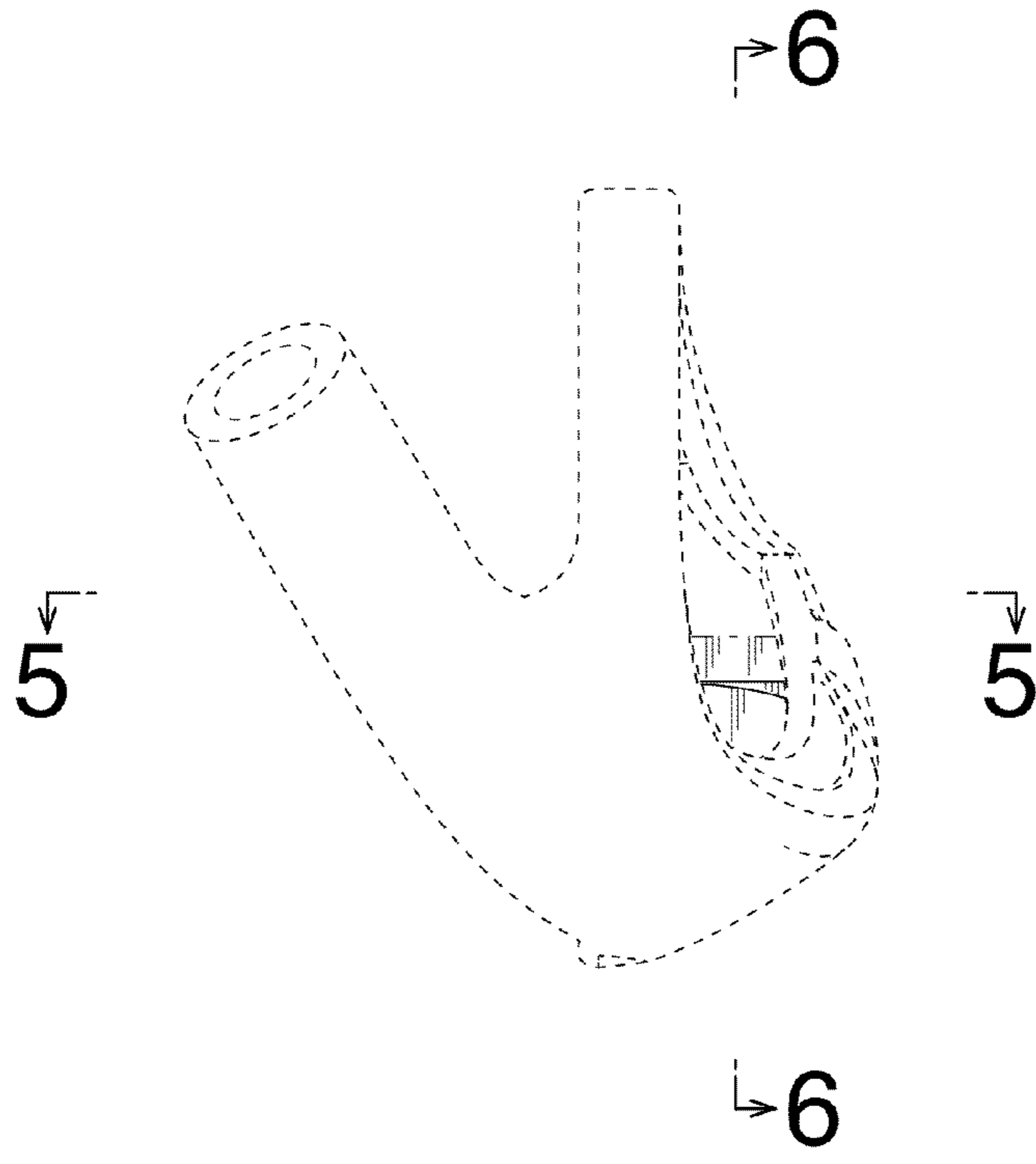


FIG.3

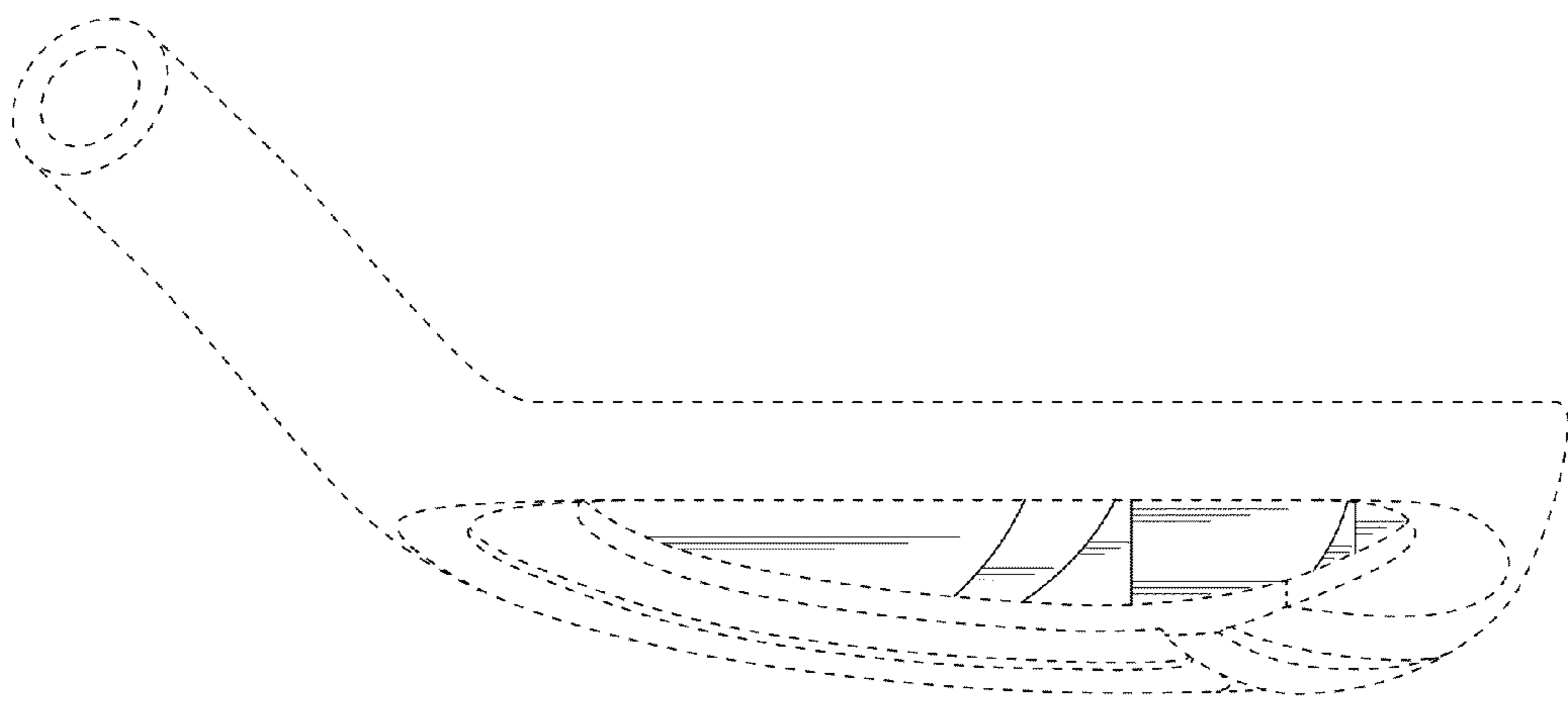


FIG.4

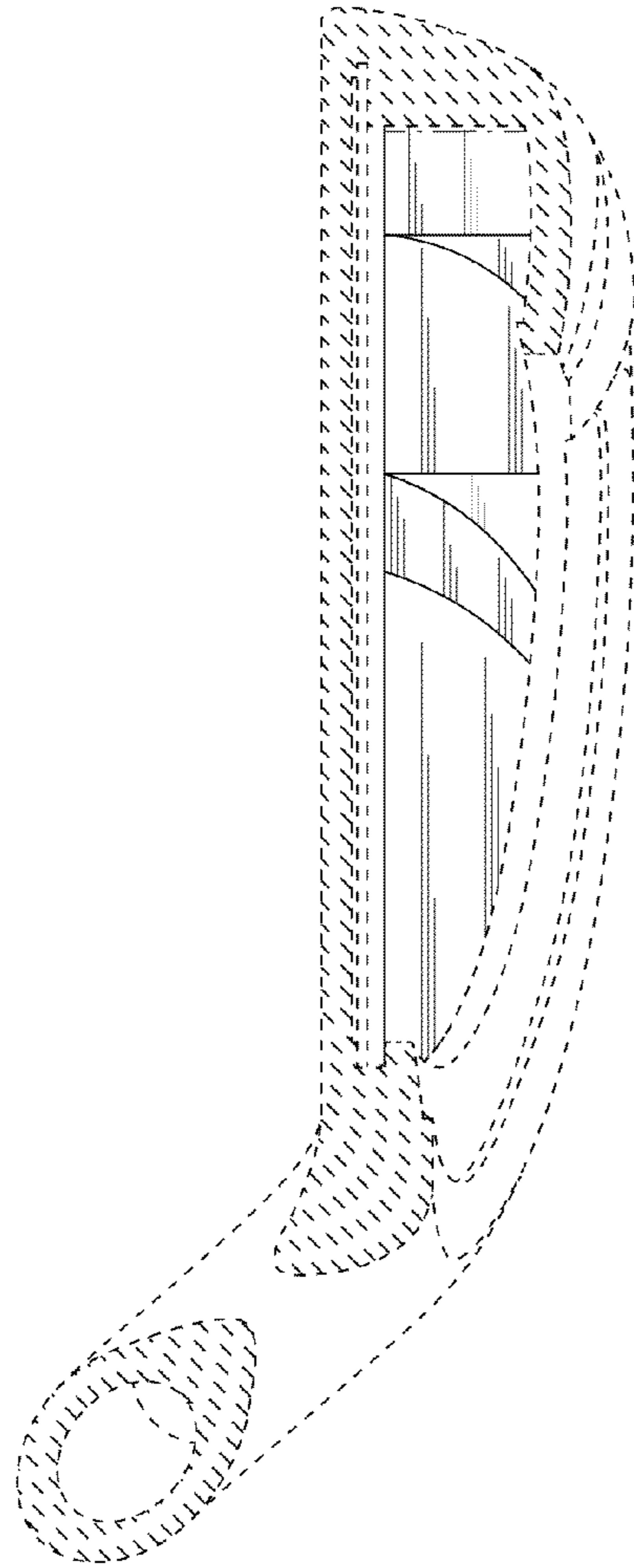


FIG. 5

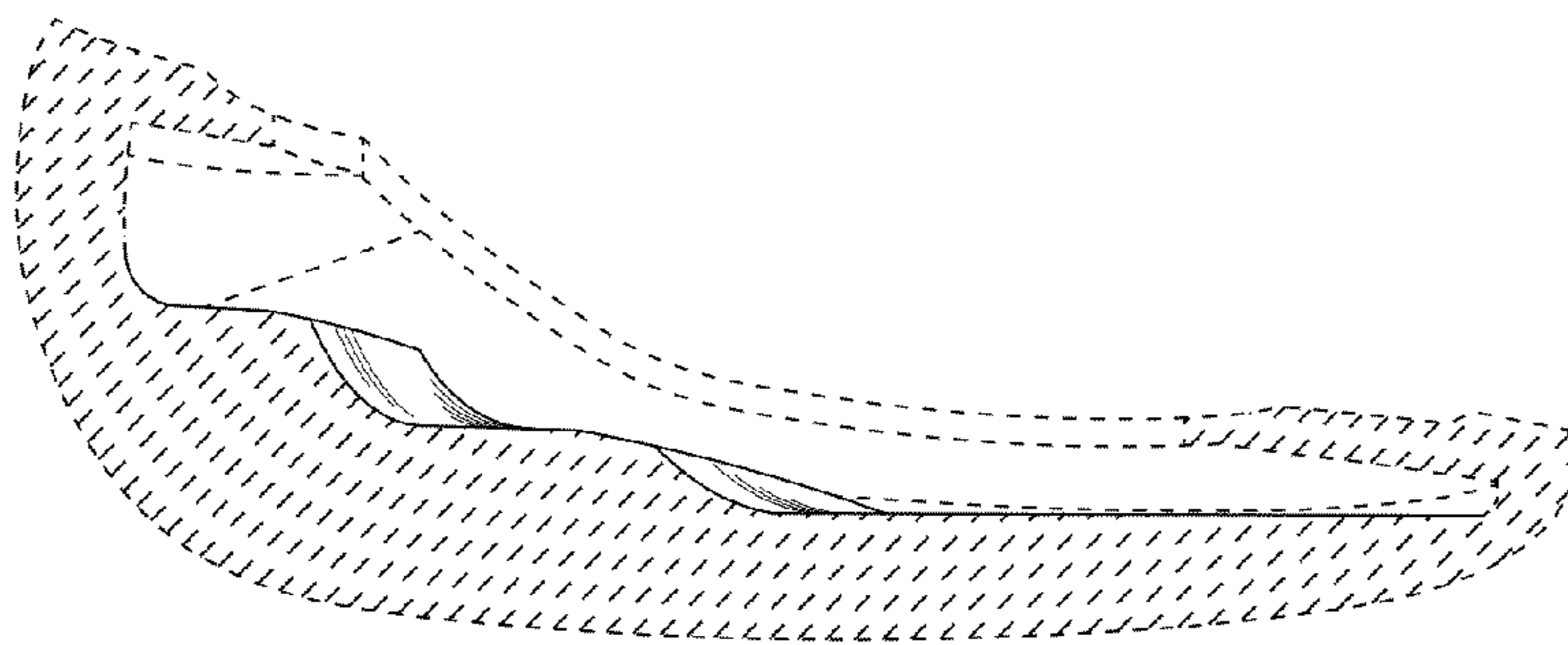


FIG. 6