



US00D713901S

(12) **United States Design Patent**  
**Vrska et al.**

(10) **Patent No.:** **US D713,901 S**  
(45) **Date of Patent:** **\*\* Sep. 23, 2014**

- (54) **SOLE OF A GOLF CLUB HEAD**
- (71) Applicant: **Wilson Sporting Goods Co.**, Chicago, IL (US)
- (72) Inventors: **Michael Vrska**, Mundelein, IL (US); **Douglas Thiel**, Streamwood, IL (US); **Michael J. McCoy**, Crystal Lake, IL (US); **Andrew K. Tryner**, Chicago, IL (US); **Richard P. Hulock**, Wheaton, IL (US); **Michael R. Chmelik**, Naperville, IL (US)
- (73) Assignee: **Wilson Sporting Goods Co.**, Chicago, IL (US)
- (\*\*) Term: **14 Years**
- (21) Appl. No.: **29/449,725**
- (22) Filed: **Mar. 15, 2013**
- (51) **LOC (10) Cl.** ..... **21-02**
- (52) **U.S. Cl.**  
USPC ..... **D21/759**
- (58) **Field of Classification Search**  
USPC ..... D21/733, 752, 759; 473/324–331, 473/343–346  
See application file for complete search history.

D541,364 S *	4/2007	Barez et al.	.....	D21/759
D546,913 S *	7/2007	Toroussian	.....	D21/759
D571,882 S *	6/2008	Soracco	.....	D21/752
D574,456 S *	8/2008	Chen et al.	.....	D21/759
D576,694 S	9/2008	Hanes, III	.....	D21/714
D584,782 S *	1/2009	Barez et al.	.....	D21/759
D584,783 S *	1/2009	Barez et al.	.....	D21/759
D587,771 S *	3/2009	Kuan et al.	.....	D21/759
D618,754 S *	6/2010	Schweigert et al.	.....	D21/759
D622,343 S *	8/2010	Khan et al.	.....	D21/759
7,803,065 B2 *	9/2010	Breier et al.	.....	473/334
D642,643 S *	8/2011	Nicolette et al.	.....	D21/759
D665,863 S *	8/2012	Gonzalez et al.	.....	D21/759
D694,351 S *	11/2013	Kim et al.	.....	D21/759

\* cited by examiner

*Primary Examiner* — Mitchell Siegel

(74) *Attorney, Agent, or Firm* — Terence P. O'Brien

(57) **CLAIM**

We claim the ornamental design for a sole of a golf club head, as shown and described.

**DESCRIPTION**

FIG. 1 is a first bottom perspective view of a sole of a golf club head of the present design;  
 FIG. 2 is a second bottom perspective view of the sole of the golf club head of FIG. 1;  
 FIG. 3 is a heel end view of the sole of the golf club head of FIG. 1;  
 FIG. 4 is a toe end view of the sole of the golf club head of FIG. 1;  
 FIG. 5 is a rear end view of the sole of the golf club head of FIG. 1; and,  
 FIG. 6 is a front view of the sole of the golf club head in FIG. 1.

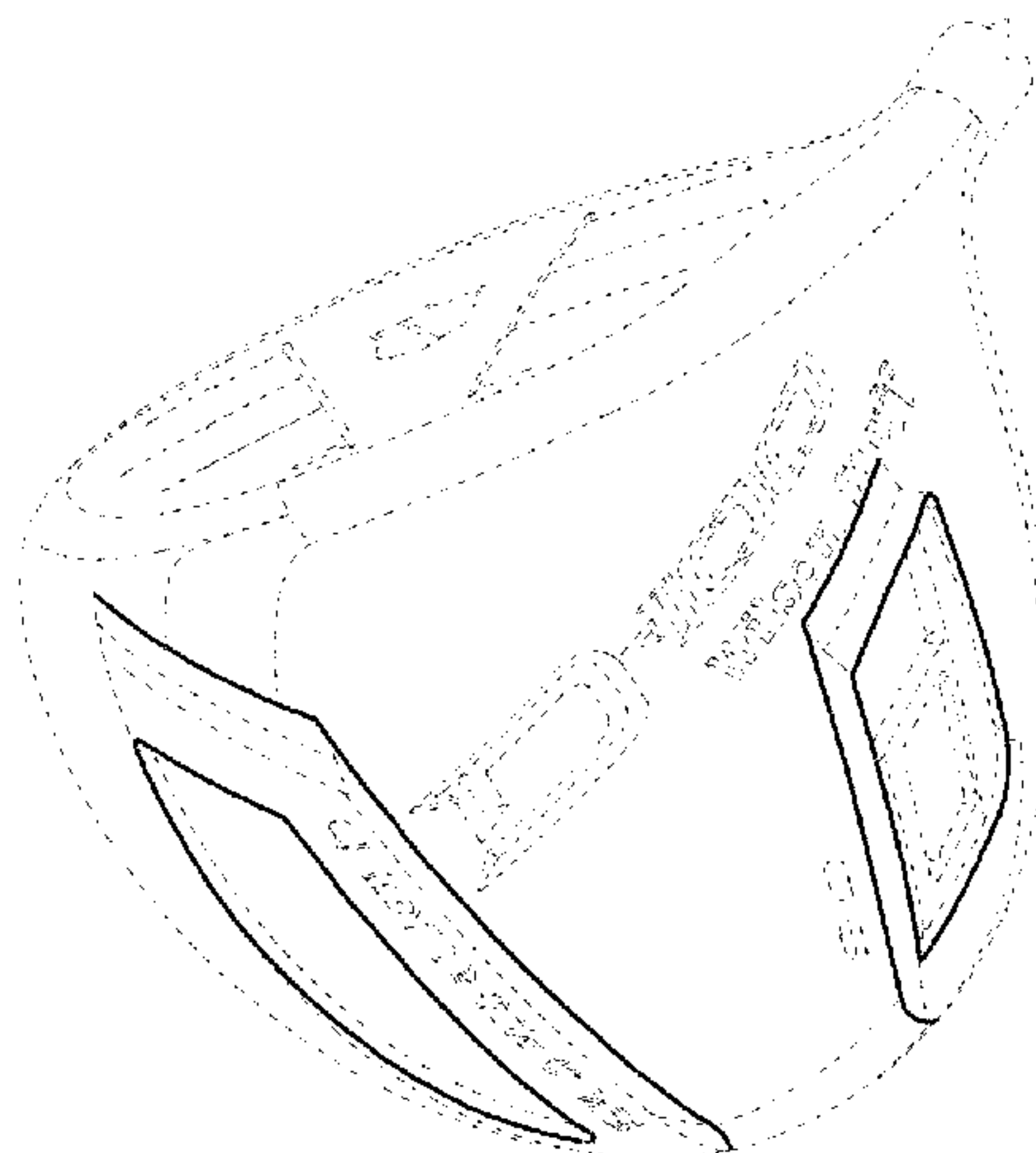
The ornamental design that is claimed is shown in solid lines in the drawings. The broken (dashed) lines shown in FIGS. 1 through 6 are included only for the purpose of illustrating environmental elements and break lines, and form no part of the claimed design.

**1 Claim, 3 Drawing Sheets**

(56) **References Cited**

U.S. PATENT DOCUMENTS

D188,949 S	10/1960	Steponaitis	.....	D34/5
D307,783 S	5/1990	Iinuma	.....	D21/214
D425,953 S	5/2000	Glod	.....	D21/759
D441,415 S	5/2001	Helmstetter et al.	.....	D21/759
D442,244 S *	5/2001	Olsavsky et al.	.....	D21/752
D463,838 S	10/2002	Besnard et al.	.....	D21/759
D469,836 S	2/2003	Mendralla, Jr. et al.	.....	D21/759
D470,555 S	2/2003	Burnett et al.	.....	D21/752
D471,246 S	3/2003	Jones et al.	.....	D21/752
D502,521 S	3/2005	Kelly	.....	D21/759
D518,129 S *	3/2006	Poynor et al.	.....	D21/759
D538,867 S *	3/2007	Cleveland et al.	.....	D21/752



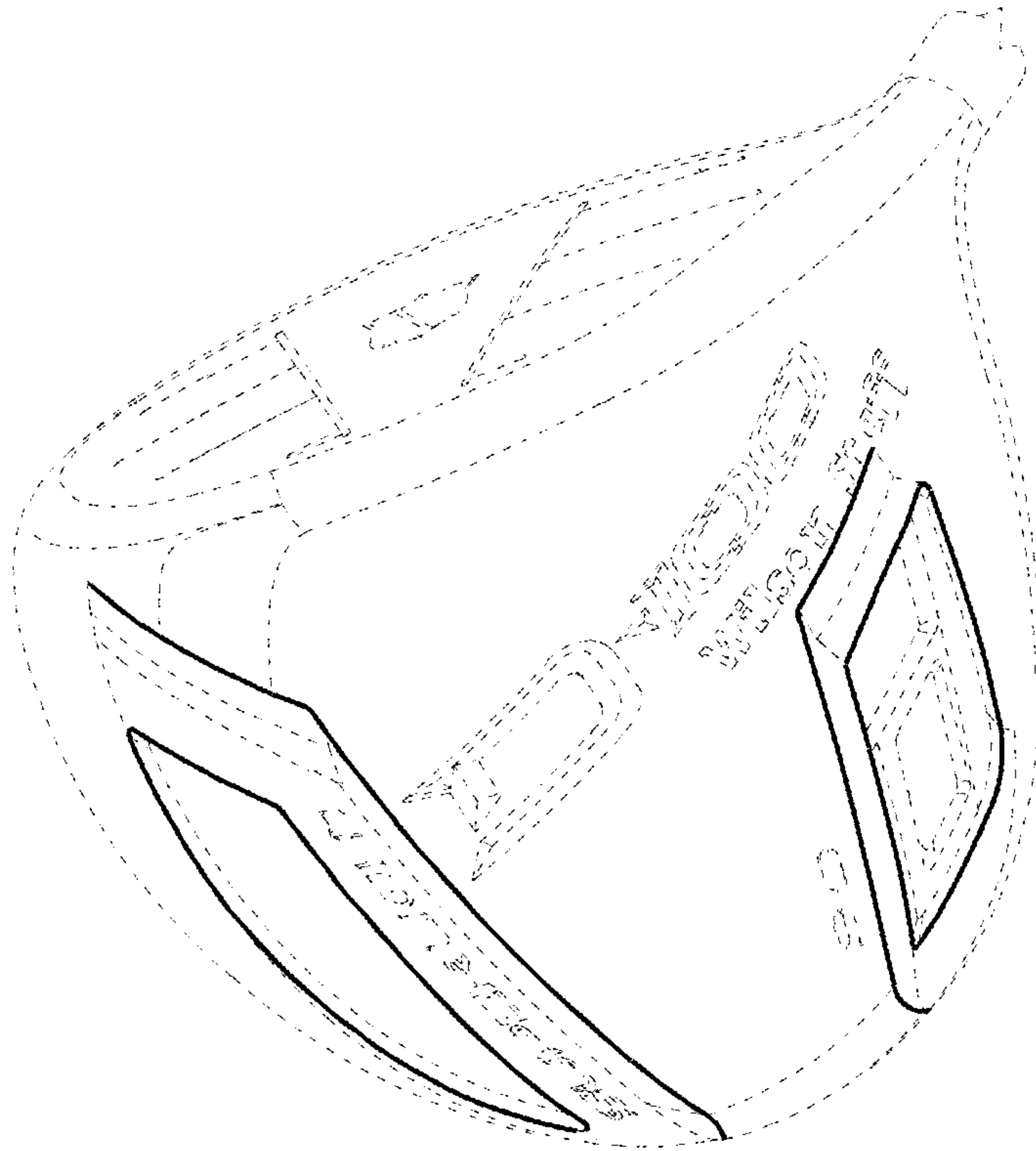


FIG. 1

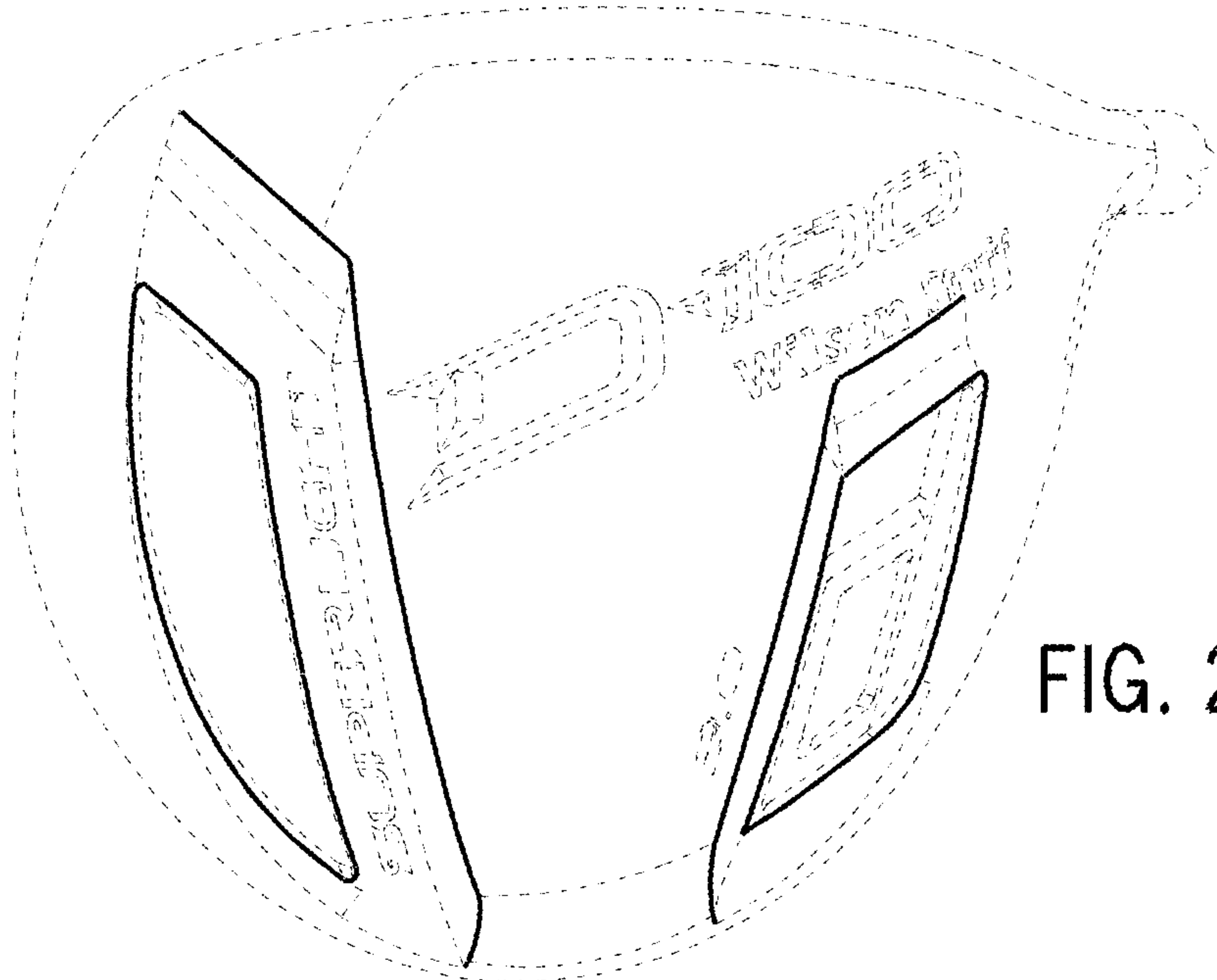


FIG. 2

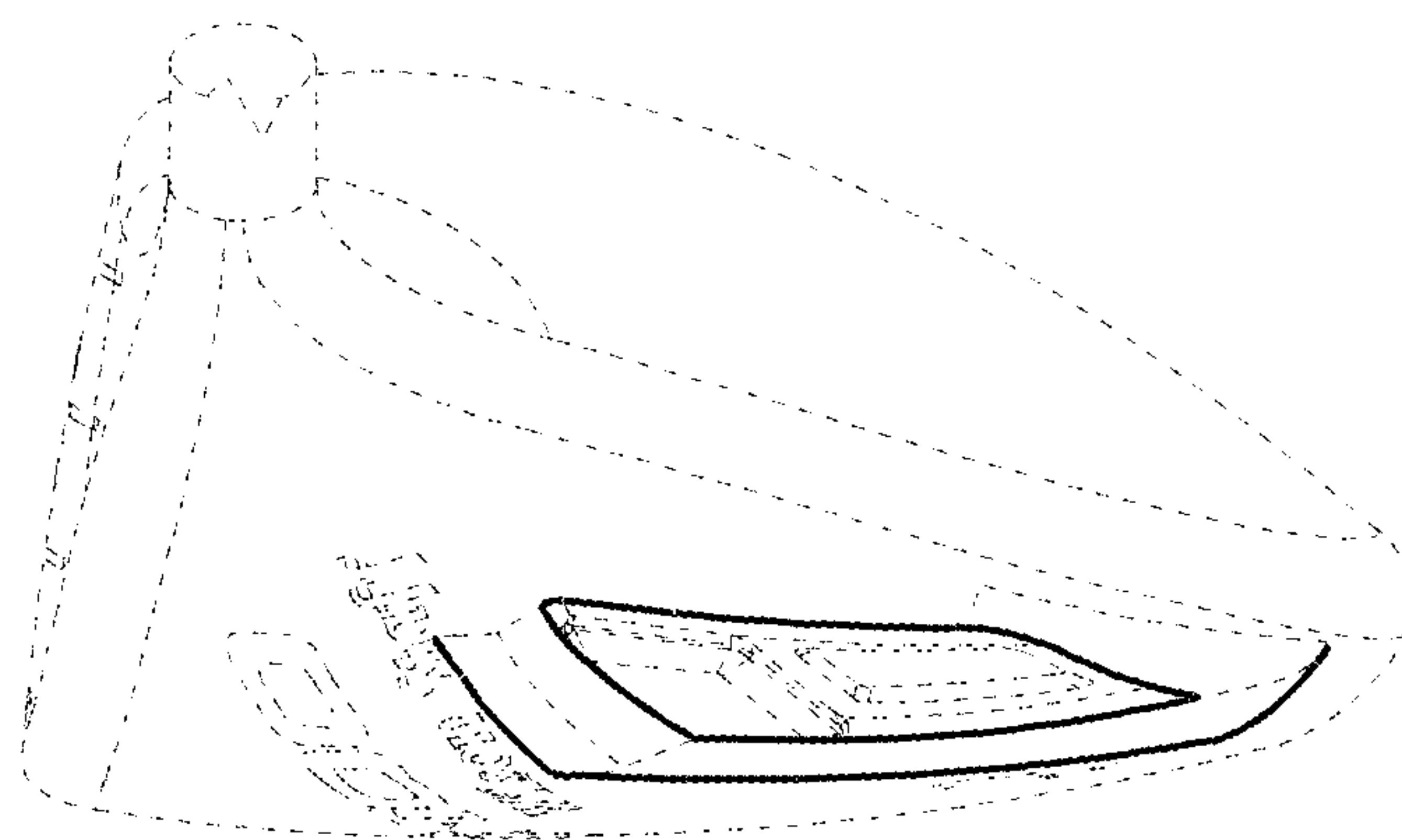


FIG. 3

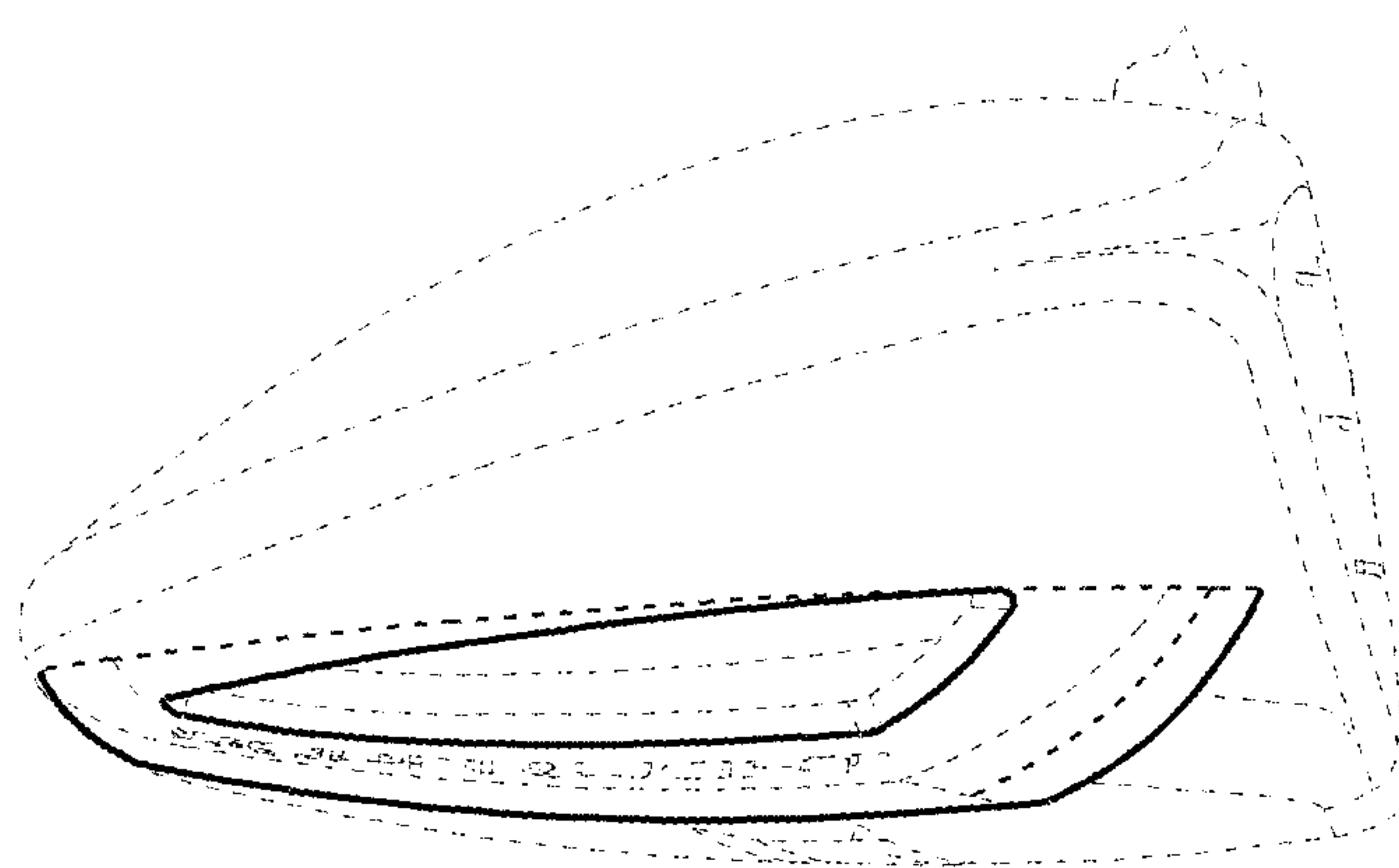


FIG. 4

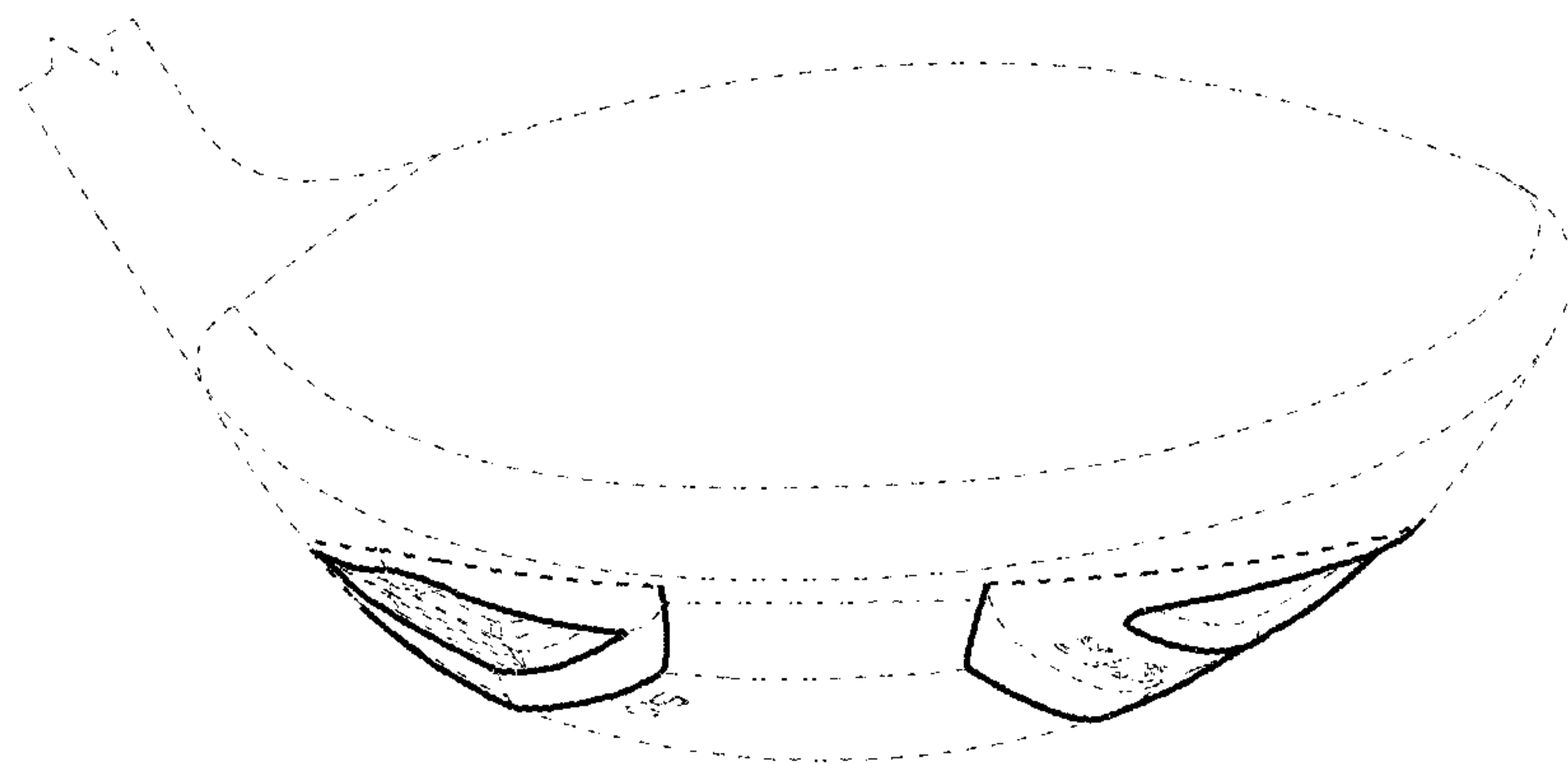


FIG. 5

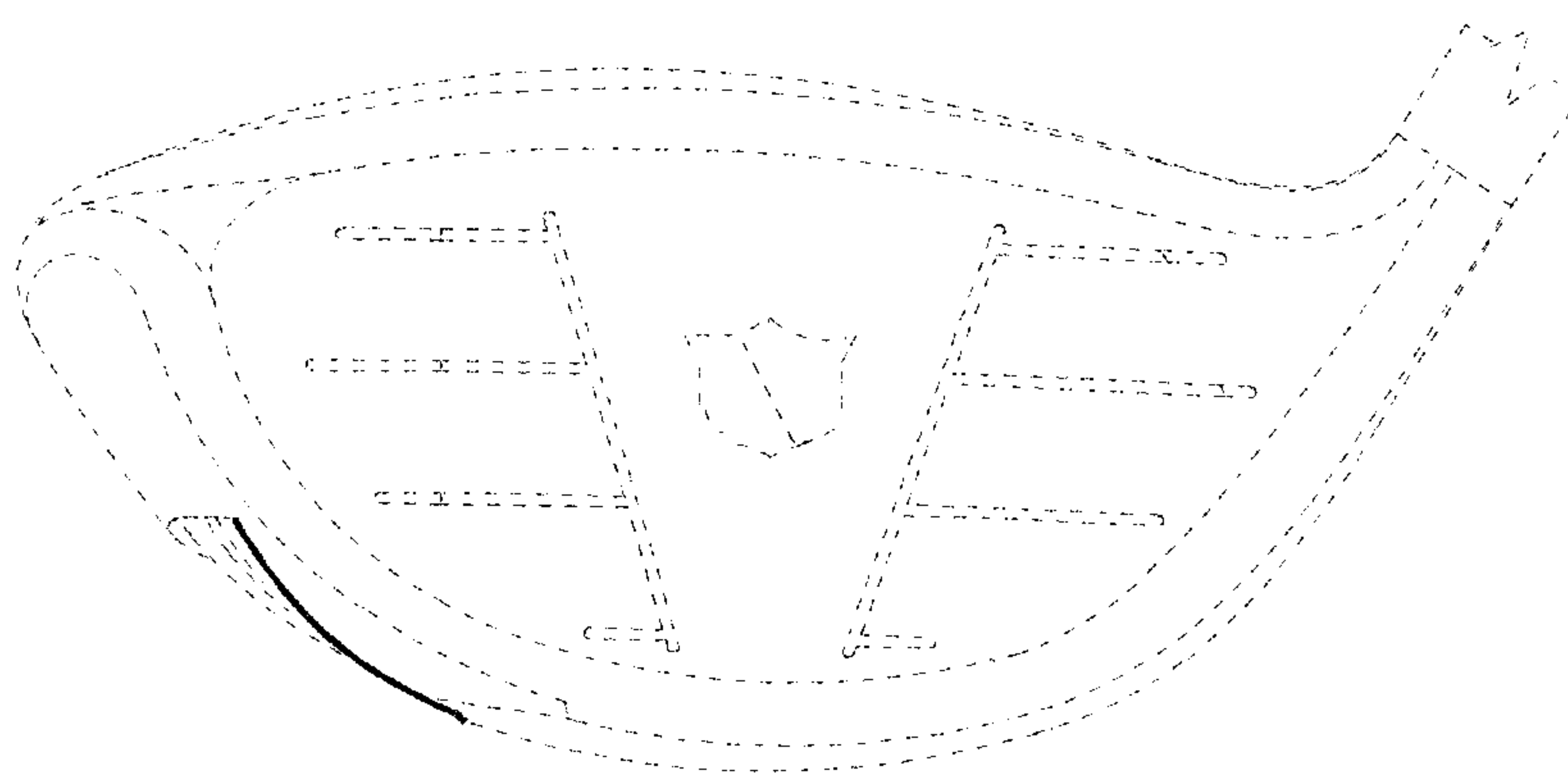


FIG. 6