



US00D713900S

(12) **United States Design Patent**  
**Hilton**

(10) **Patent No.:** **US D713,900 S**

(45) **Date of Patent:** **\*\* Sep. 23, 2014**

(54) **PUTTER HEAD**

(71) Applicant: **Callaway Golf Company**, Carlsbad, CA (US)

(72) Inventor: **Thomas R. Hilton**, Cardiff, CA (US)

(73) Assignee: **Callaway Golf Company**, Carlsbad, CA (US)

(\*\*) Term: **14 Years**

(21) Appl. No.: **29/466,810**

(22) Filed: **Sep. 11, 2013**

(51) **LOC (10) Cl.** ..... **21-02**

(52) **U.S. Cl.**  
USPC ..... **D21/736**

(58) **Field of Classification Search**  
CPC ... A63B 53/00; A63B 53/065; A63B 53/0487  
USPC ..... D21/736-746; 473/324-331, 340-341,  
473/251-256

See application file for complete search history.

(56) **References Cited**

**U.S. PATENT DOCUMENTS**

D458,656	S *	6/2002	Tang et al.	.....	D21/738
6,506,125	B2 *	1/2003	Helmstetter et al.	.....	473/242
D475,106	S *	5/2003	Tang et al.	.....	D21/759
D485,323	S *	1/2004	Wagner et al.	.....	D21/744
D531,242	S *	10/2006	Adams	.....	D21/746
D542,869	S *	5/2007	Adams	.....	D21/742
D623,710	S *	9/2010	Hilton et al.	.....	D21/743
D625,764	S *	10/2010	Hilton et al.	.....	D21/743
D638,891	S *	5/2011	Nicolette et al.	.....	D21/736

D641,814	S *	7/2011	Hilton et al.	.....	D21/742
D641,816	S *	7/2011	Rollinson et al.	.....	D21/744
D643,485	S *	8/2011	Nicolette et al.	.....	D21/736
D645,104	S *	9/2011	Nicolette et al.	.....	D21/759
D650,459	S *	12/2011	Rollinson	.....	D21/746
D653,718	S *	2/2012	Stokke et al.	.....	D21/743
8,480,504	B2 *	7/2013	Hilton et al.	.....	473/242
8,517,852	B1 *	8/2013	Hilton et al.	.....	473/242
8,550,931	B1 *	10/2013	Hilton et al.	.....	473/242
8,696,483	B2 *	4/2014	Hilton et al.	.....	473/242
D704,287	S *	5/2014	Tang et al.	.....	D21/742

\* cited by examiner

*Primary Examiner* — Mitchell Siegel

(74) *Attorney, Agent, or Firm* — Rebecca Hanovice; Michael A. Catania; Sonia Lari

(57) **CLAIM**

The ornamental design for a putter head, as shown and described.

**DESCRIPTION**

FIG. 1 is a rear perspective view of a putter head as claimed herein;

FIG. 2 is a front view thereof;

FIG. 3 is a rear view thereof;

FIG. 4 is a right side view thereof;

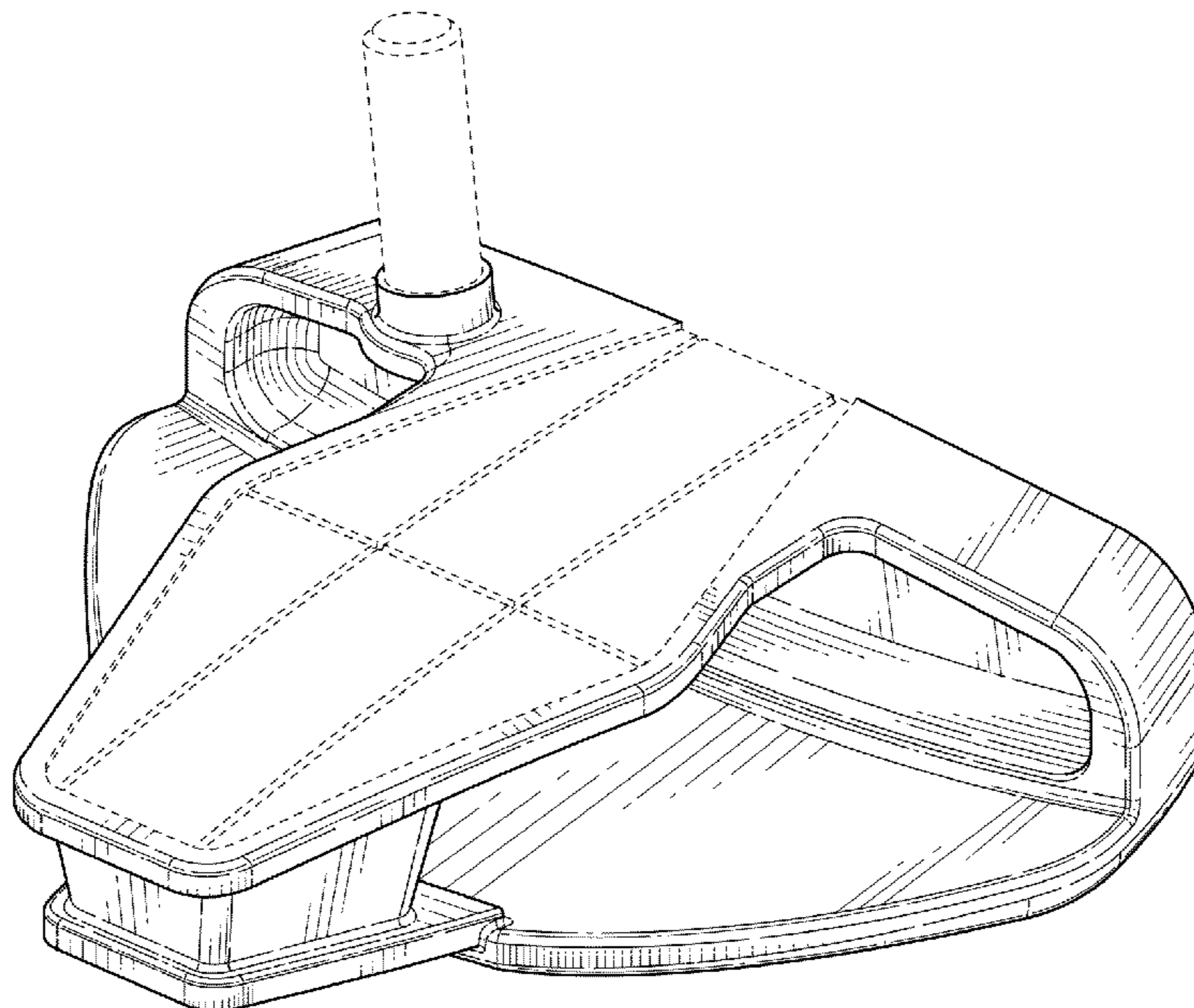
FIG. 5 is a left side view thereof;

FIG. 6 is a top plan view thereof; and,

FIG. 7 is a bottom plan view thereof.

The broken lines are included for the purpose of illustration only and form no part of the claimed design.

**1 Claim, 4 Drawing Sheets**



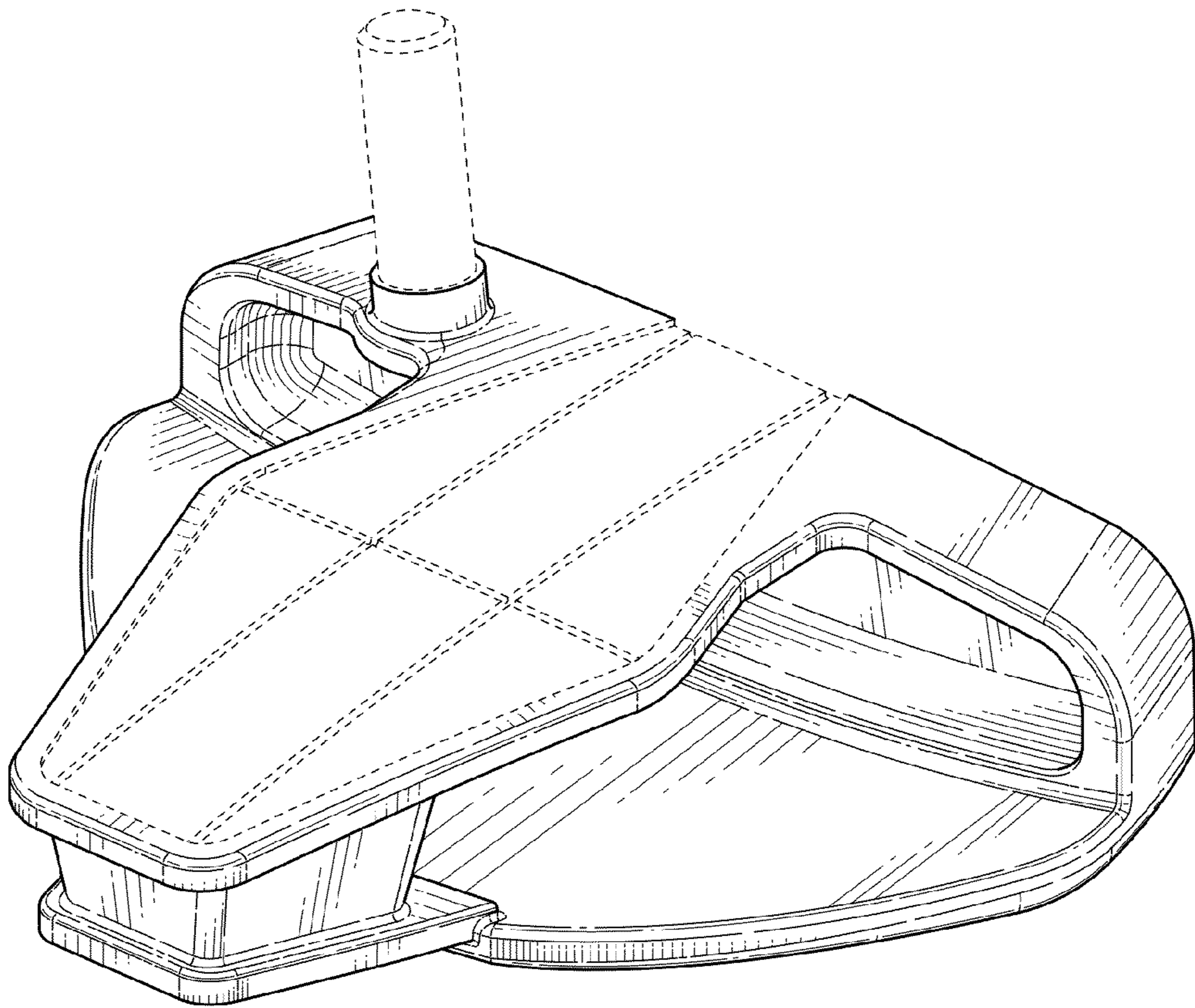


FIG. 1

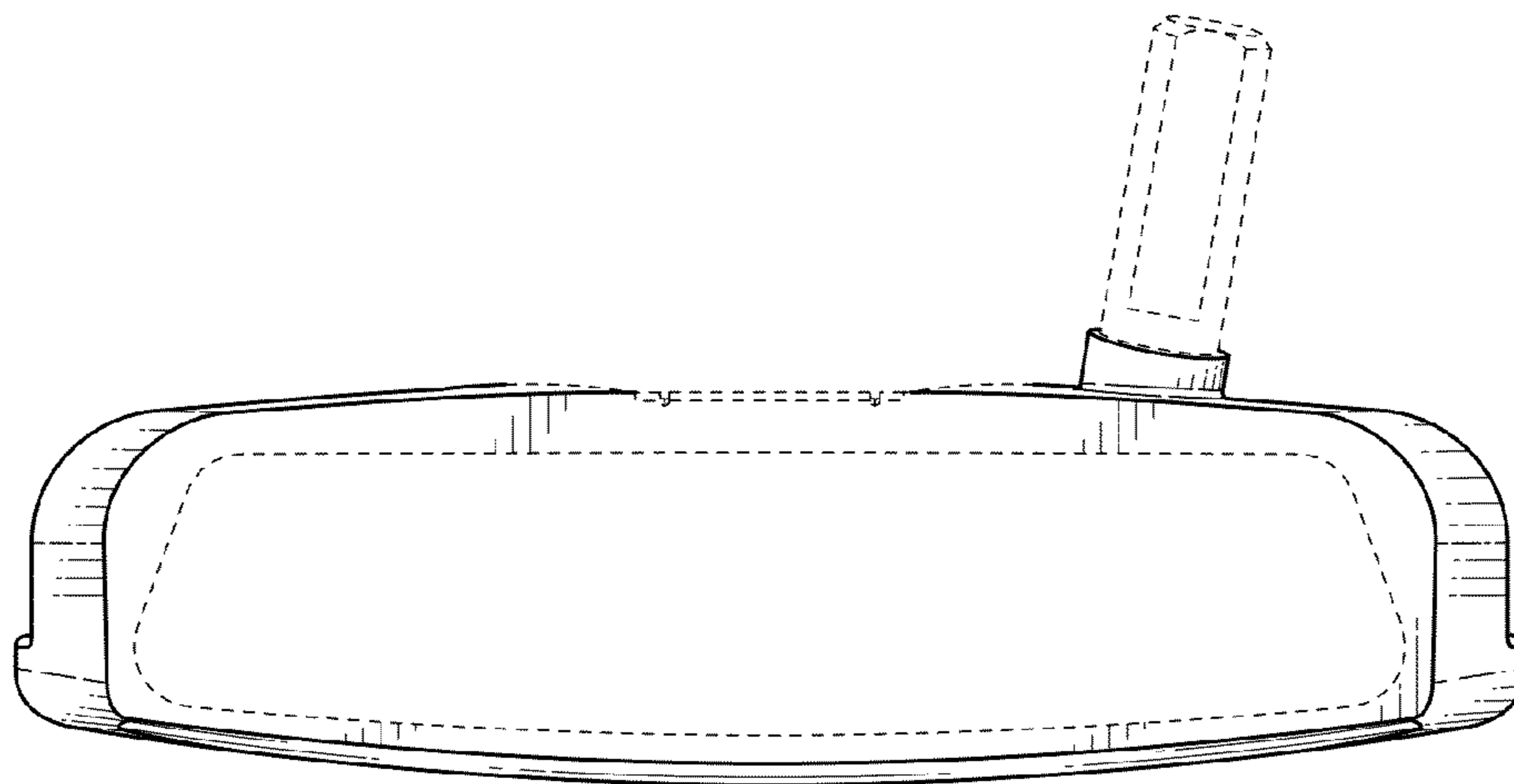


FIG. 2

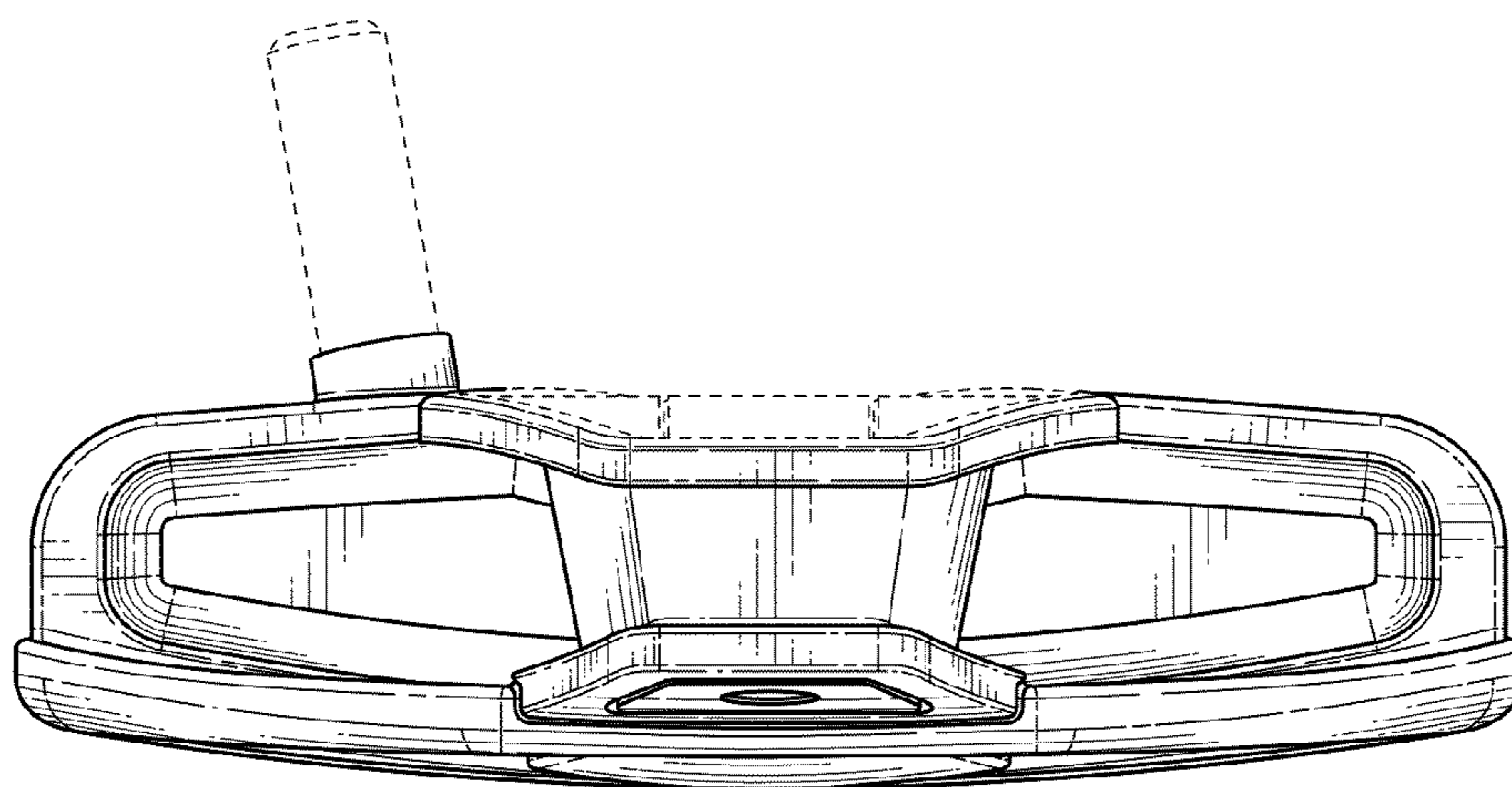


FIG. 3

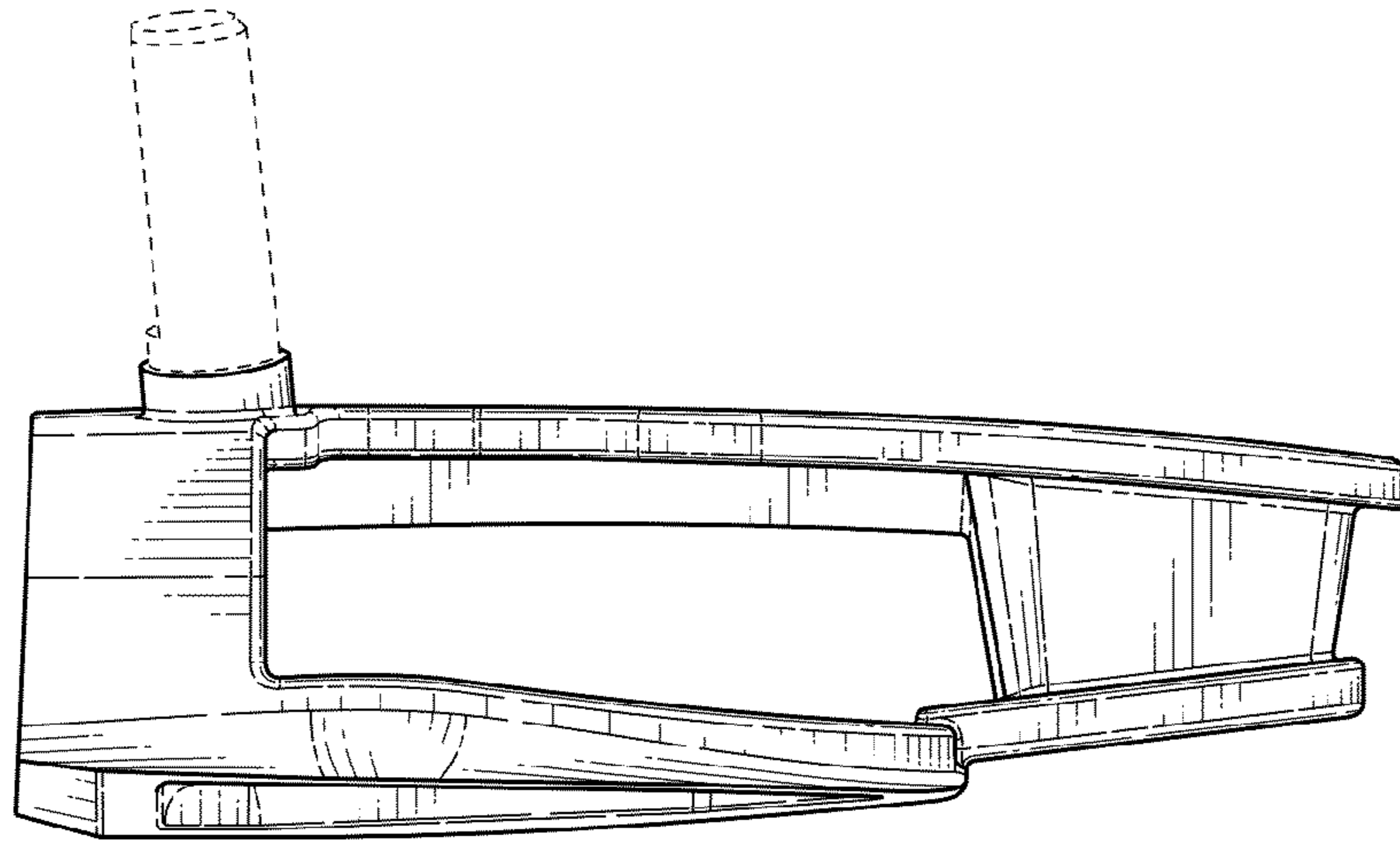


FIG. 4

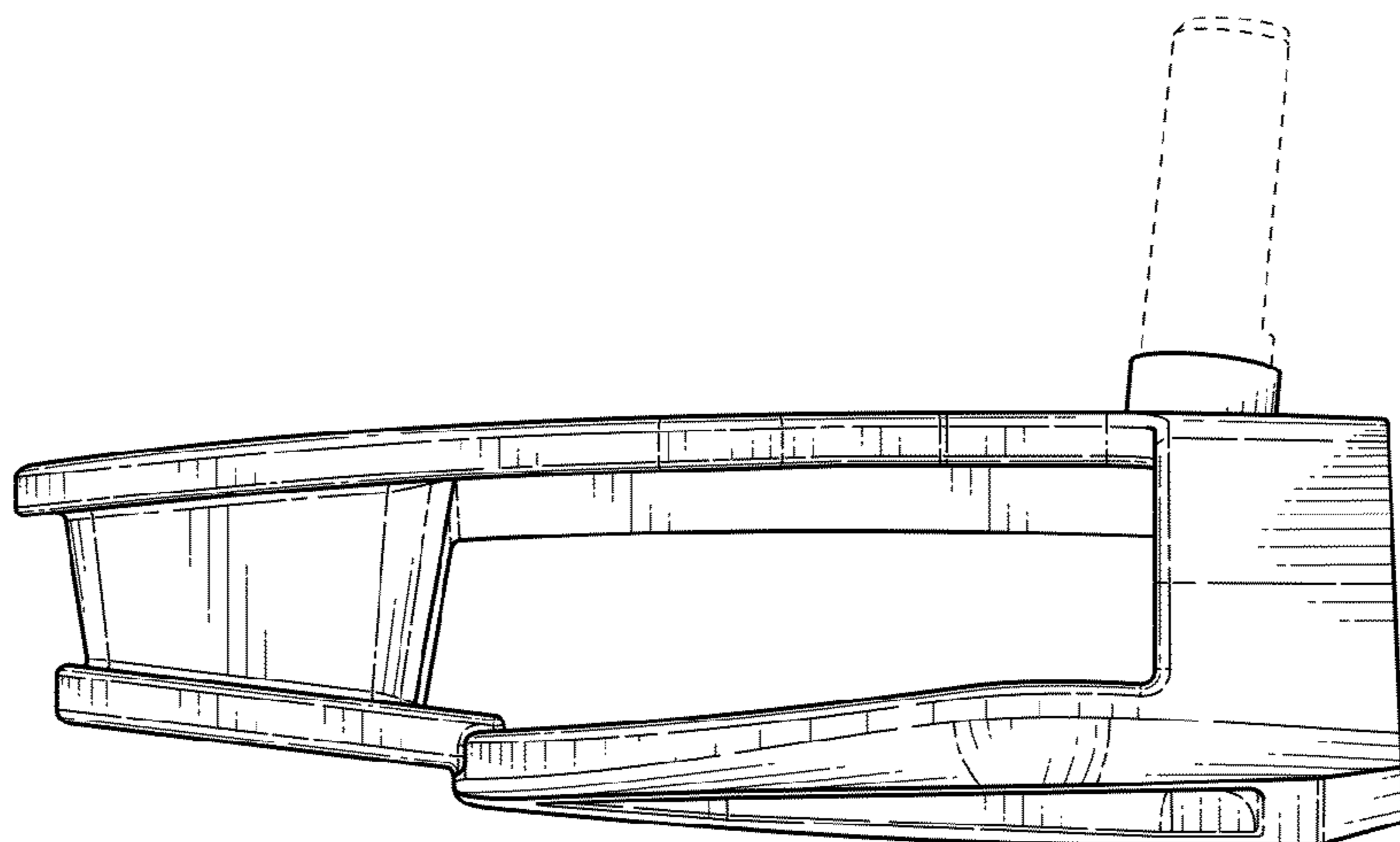


FIG. 5

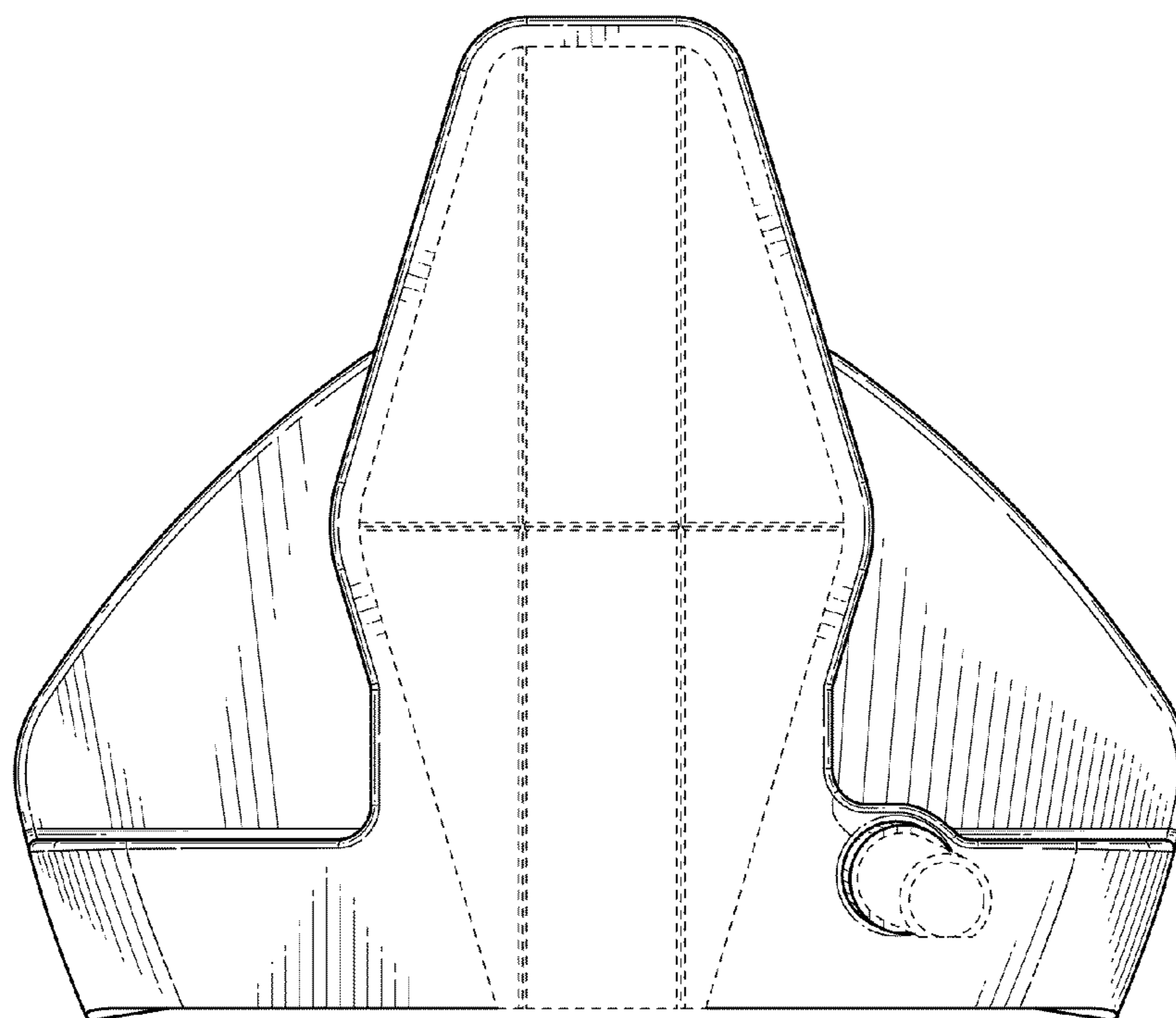


FIG. 6

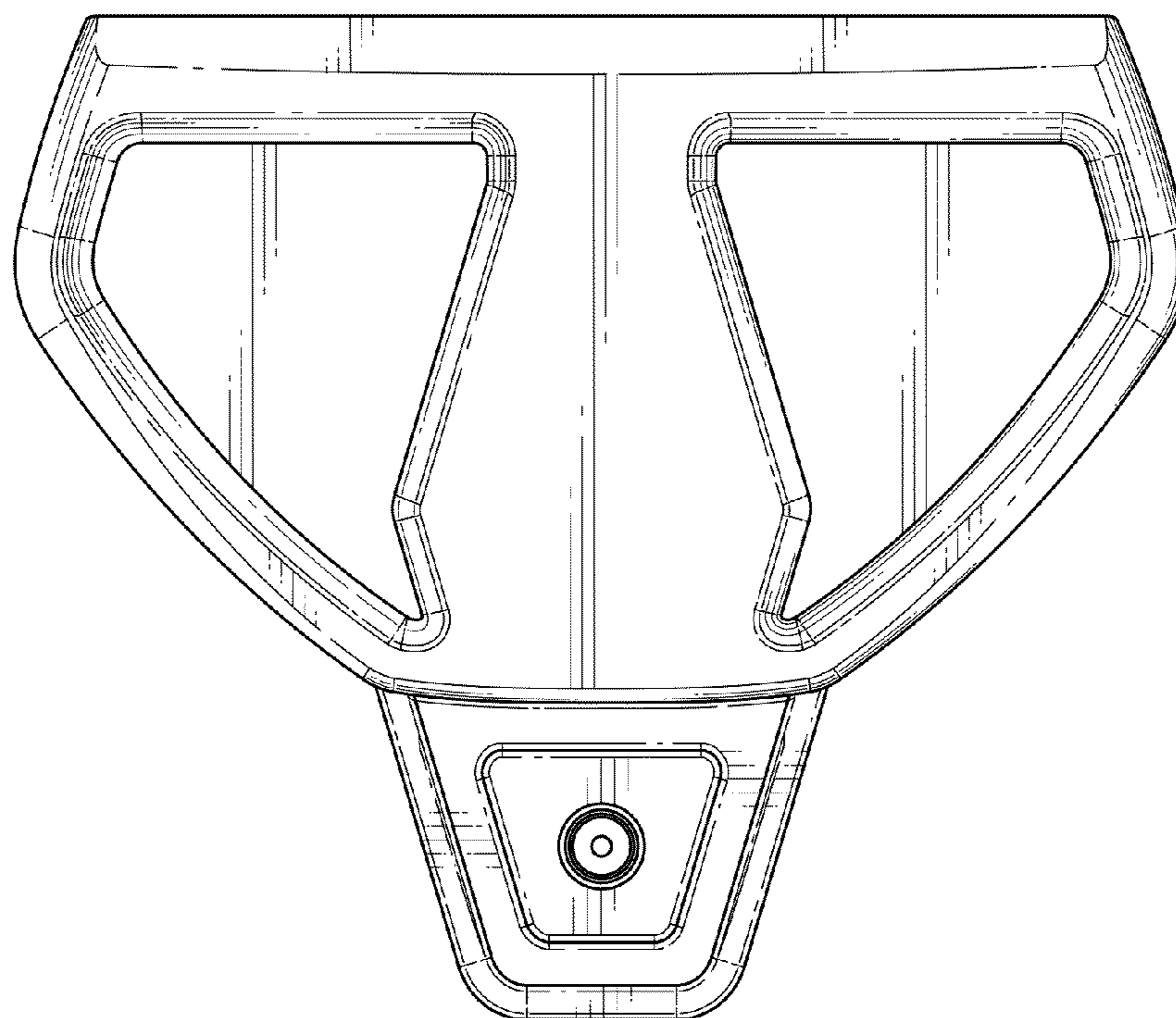


FIG. 7