



US00D713895S

(12) **United States Design Patent**  
**Blumenthal**

(10) **Patent No.:** **US D713,895 S**  
(45) **Date of Patent:** **\*\* Sep. 23, 2014**

- (54) **TOY WAGON**
- (71) Applicant: **JAKKS Pacific, Inc.**, Malibu, CA (US)
- (72) Inventor: **Martin Blumenthal**, Chatham, NJ (US)
- (73) Assignee: **JAKKS Pacific, Inc.**, Malibu, CA (US)
- (\*\*) Term: **14 Years**
- (21) Appl. No.: **29/472,682**
- (22) Filed: **Nov. 14, 2013**

**Related U.S. Application Data**

- (62) Division of application No. 29/382,462, filed on Jan. 4, 2011, now Pat. No. Des. 693,886.
- (51) **LOC (10) Cl.** ..... **21-01**
- (52) **U.S. Cl.**  
USPC ..... **D21/425**; D21/434
- (58) **Field of Classification Search**  
CPC ..... B62B 1/00; B62B 1/04; B62B 1/10;  
B62B 1/12; B62B 1/16; B62B 3/00; B62B  
3/002; B62B 3/003; B62B 3/007; B62B 7/00;  
B62B 7/002; B62B 7/006; B62B 7/008;  
B62B 7/04; B62B 7/12; B62B 9/00; B62B  
9/10; B62B 9/12; A63H 17/05; A63H 17/06  
USPC ..... D21/419, 424-427, 431, 434, 534-536,  
D21/540, 554, 556, 559; D12/17, 19, 20,  
D12/102, 105, 129, 133; D34/12;  
280/87.01, 87.021, 87.043, 47.17,  
280/47.25, 47.26, 47.34, 47.38, 47.4, 204,  
280/639, 651; D3/371.12; D6/336; D15/28;  
446/428

See application file for complete search history.

- (56) **References Cited**  
U.S. PATENT DOCUMENTS  
91,398 A 6/1869 Wirtz

- 1,509,181 A 9/1924 Sherwood
- D138,193 S 7/1944 Duffy
- D190,288 S 5/1961 Monax
- D222,159 S \* 10/1971 Muys et al. .... D21/558
- D227,282 S 6/1973 Schreckengost
- D248,119 S 6/1978 Nix et al.
- D257,368 S 10/1980 Breneman
- D258,974 S 4/1981 Samuels
- D271,315 S 11/1983 Nottingham et al.
- D293,342 S 12/1987 Thomson et al.
- 4,744,575 A 5/1988 Tonelli
- D305,555 S 1/1990 Spielberger
- D308,552 S 6/1990 Klawitter
- D308,556 S 6/1990 Klawitter
- D327,101 S 6/1992 Halter et al.
- 5,249,823 A 10/1993 McCoy et al.
- 5,360,222 A 11/1994 Bro et al.
- 5,383,808 A 1/1995 DuBois
- D365,313 S 12/1995 Moseitch et al.
- D366,071 S 1/1996 Harrod

(Continued)

*Primary Examiner* — Cynthia M Chin

(74) *Attorney, Agent, or Firm* — Tope-McKay & Associates

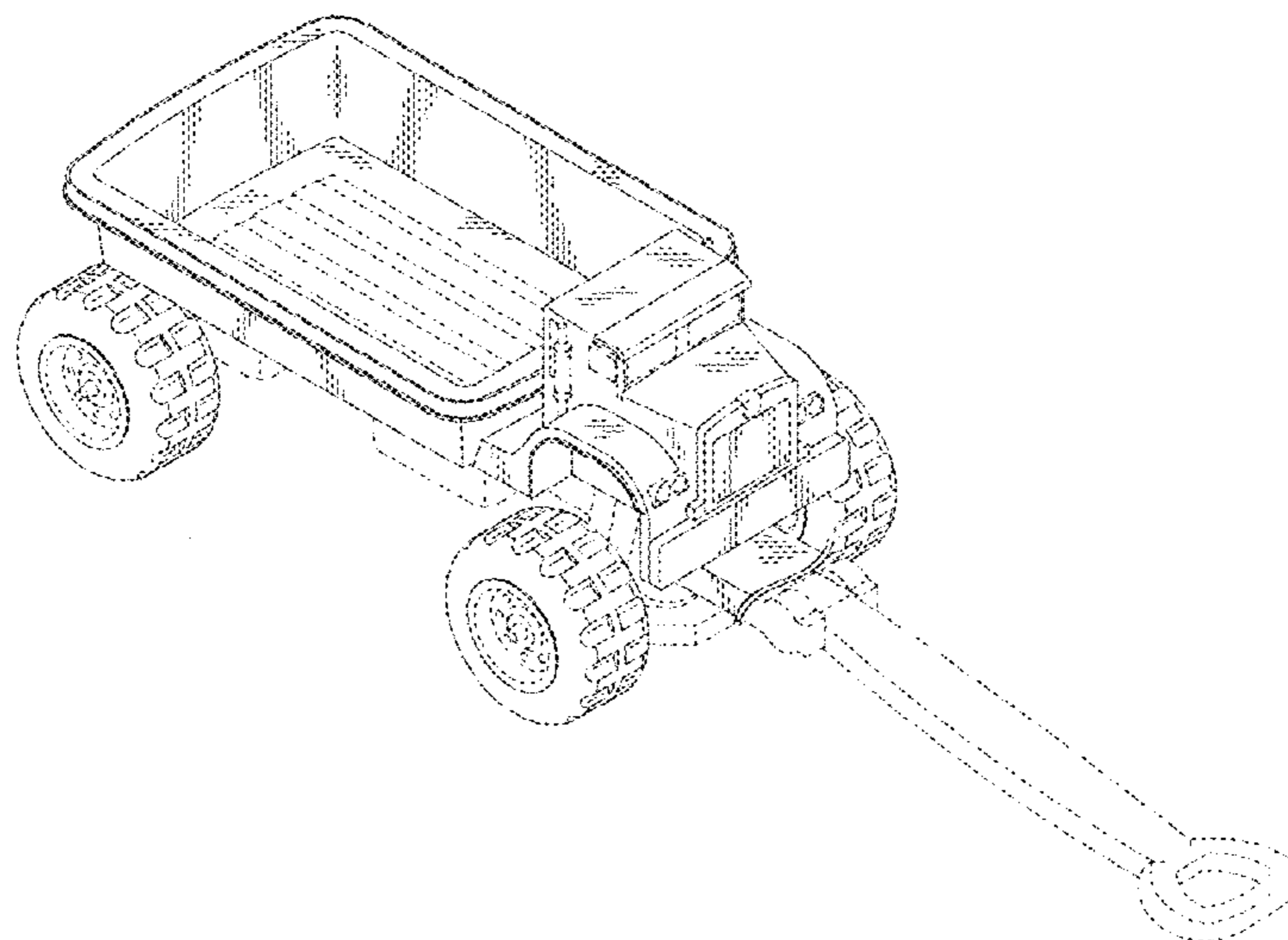
(57) **CLAIM**

The ornamental design for a toy wagon, as shown and described.

**DESCRIPTION**

FIG. 1 is a perspective view of a toy wagon;  
 FIG. 2 is a frontal elevation view of the toy wagon;  
 FIG. 3 is a rear elevation view of the toy wagon;  
 FIG. 4 is a first side elevation view of the toy wagon, the opposite side elevation view being a mirror image thereof;  
 FIG. 5 is a top view of the toy wagon; and,  
 FIG. 6 is a bottom view of the toy wagon.  
 The elements depicted by broken lines do not form a portion of the claimed design.

**1 Claim, 5 Drawing Sheets**



(56)

**References Cited**

U.S. PATENT DOCUMENTS

D388,843 S 1/1998 McDaniel  
5,727,983 A \* 3/1998 Koldste ..... 446/428  
D416,952 S \* 11/1999 Wei ..... D21/554  
D419,619 S 1/2000 Wei  
6,155,902 A 12/2000 Kole, Jr. et al.  
D436,387 S 1/2001 Pardi

6,412,787 B1 7/2002 Pardi et al.  
D527,508 S 8/2006 Monteith et al.  
D552,692 S \* 10/2007 Stern et al. .... D21/554  
D567,885 S 4/2008 Amadio et al.  
D569,449 S 5/2008 Chung  
D601,207 S 9/2009 Chung  
7,658,662 B2 \* 2/2010 Tremblay et al. .... 446/428  
8,523,193 B1 \* 9/2013 Mucaro et al. .... 280/7.15

\* cited by examiner

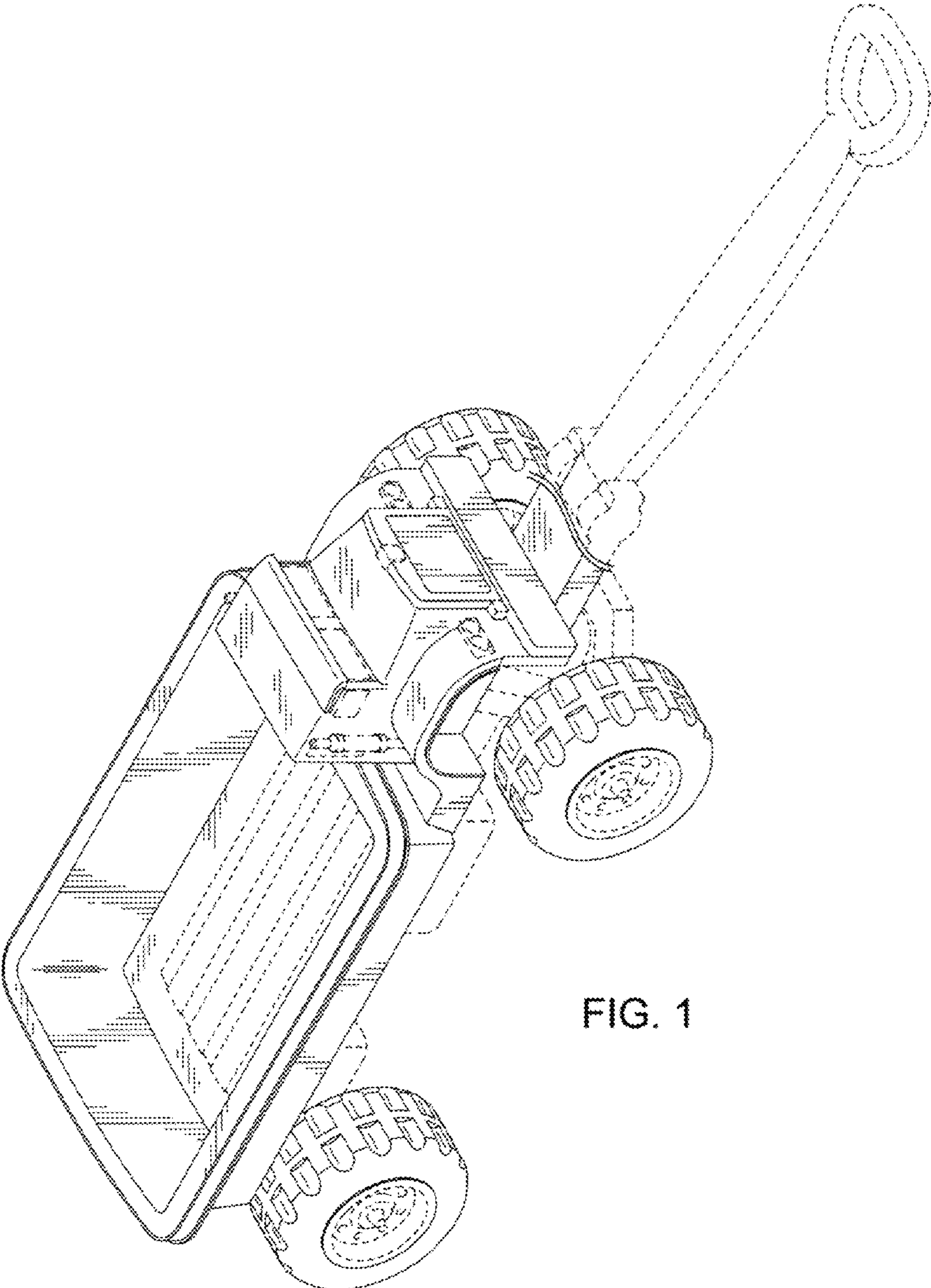


FIG. 1

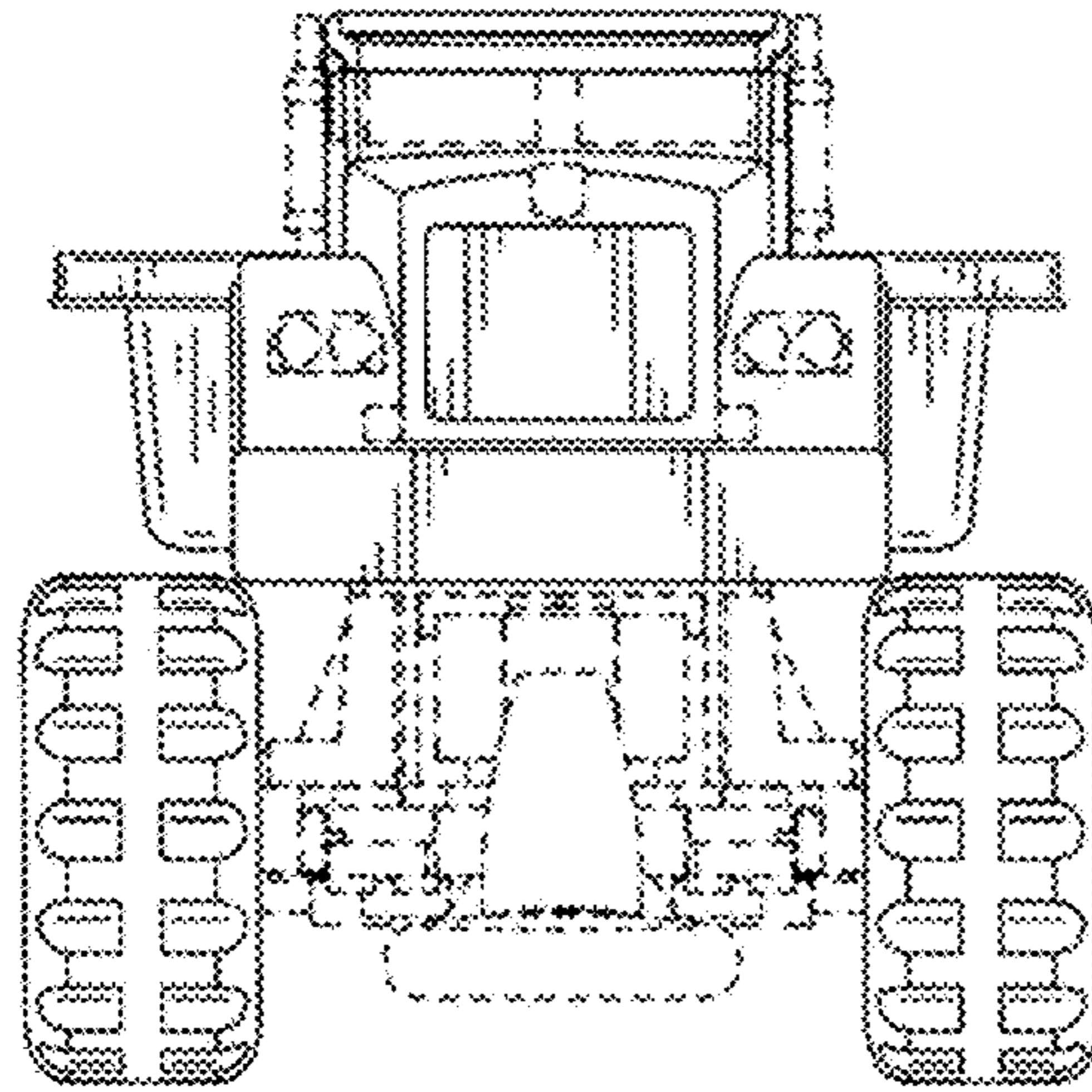


FIG. 2

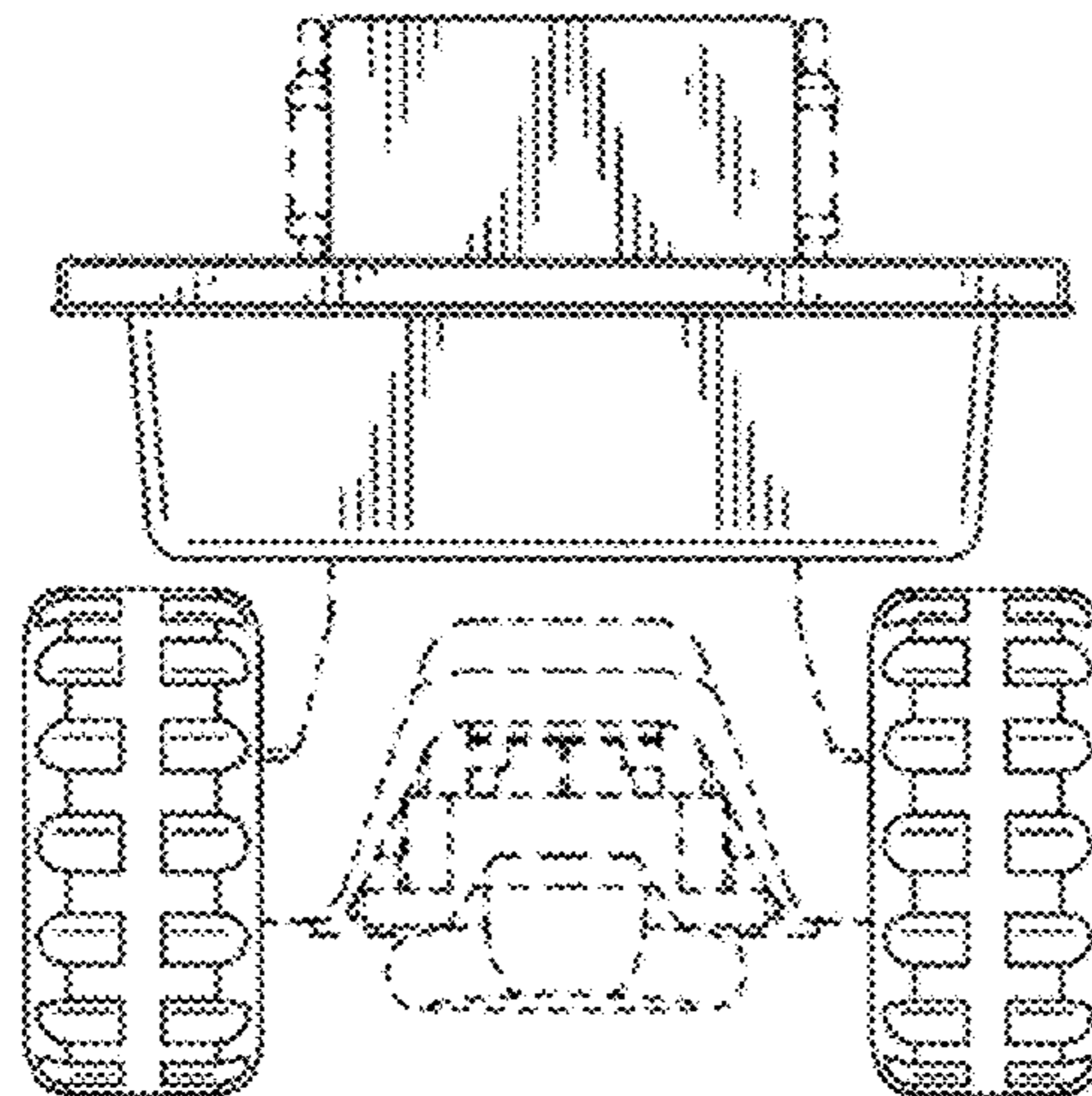


FIG. 3

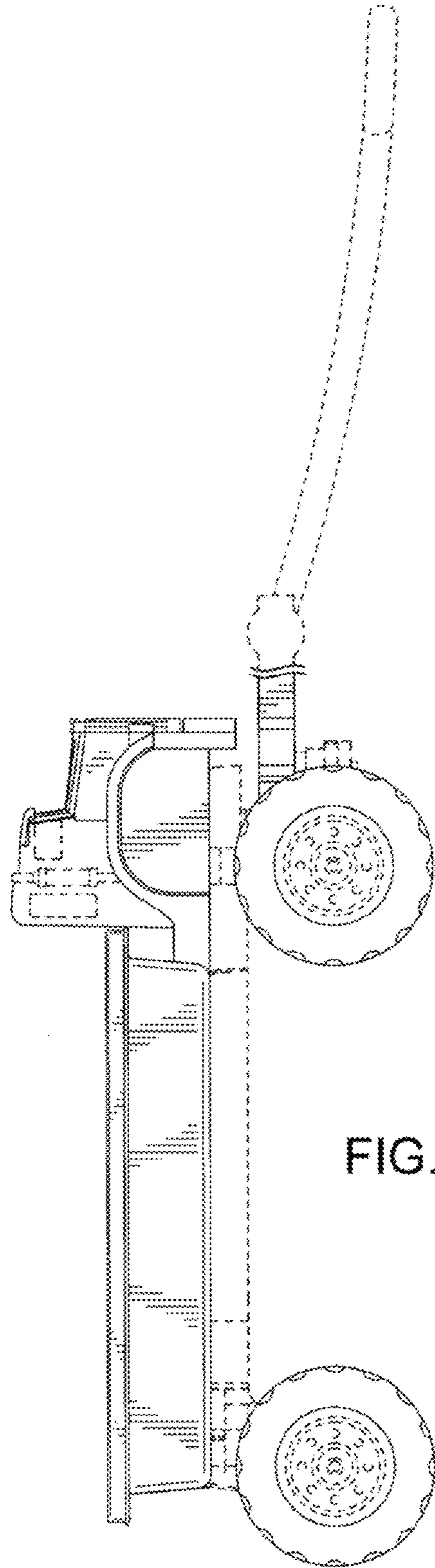


FIG. 4

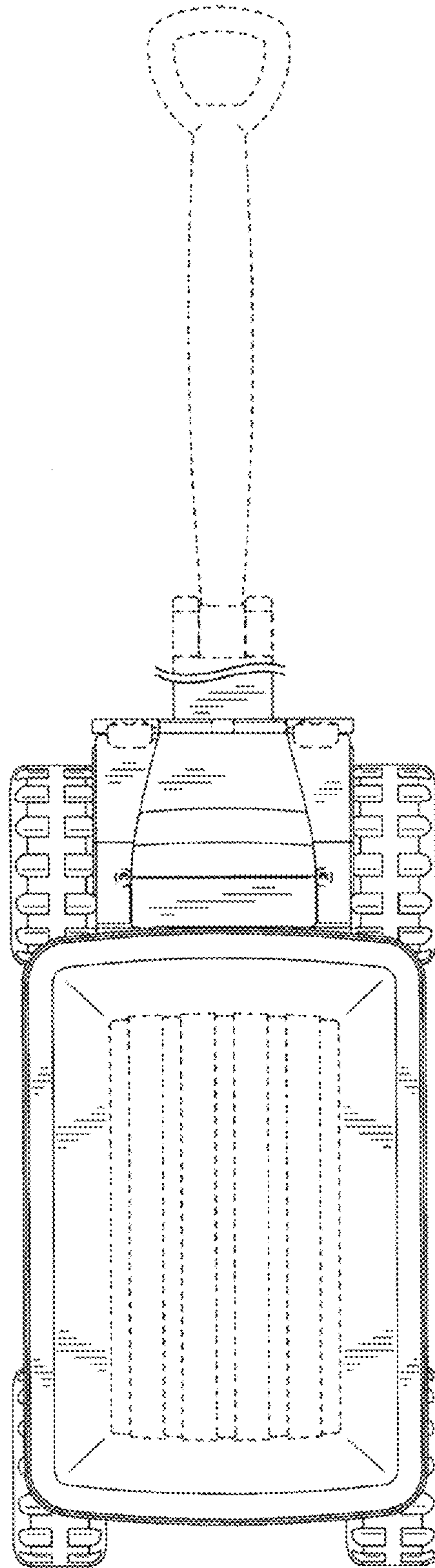


FIG. 5

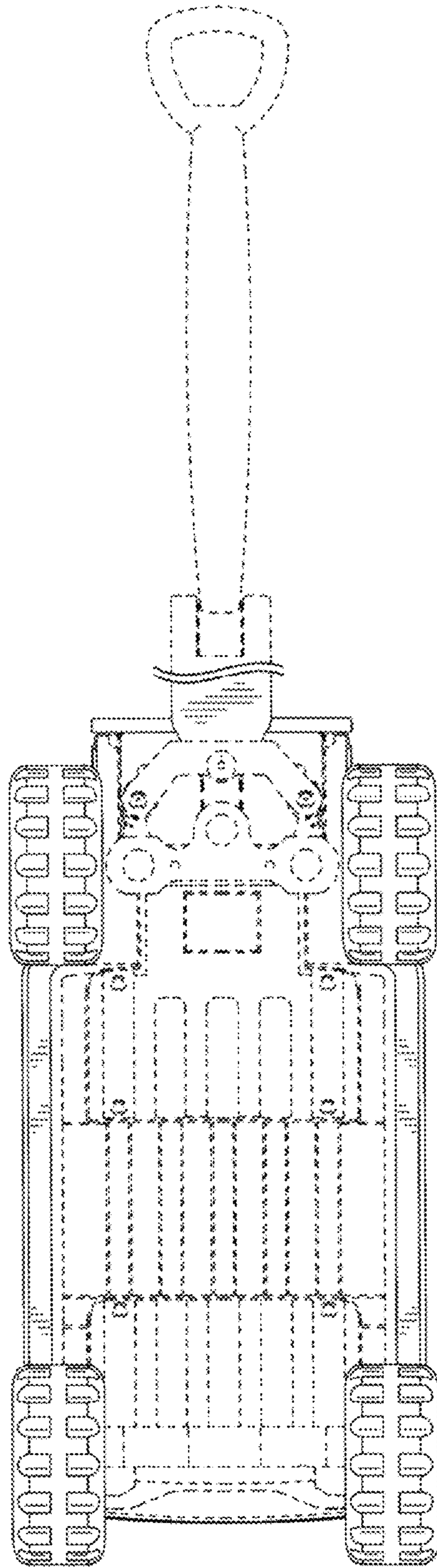


FIG. 6