



US00D713894S

(12) **United States Design Patent**
Lopez

(10) **Patent No.:** **US D713,894 S**

(45) **Date of Patent:** **** Sep. 23, 2014**

(54) **TABLETOP GAME**

(71) Applicant: **Alexander Lopez**, Miami, FL (US)

(72) Inventor: **Alexander Lopez**, Miami, FL (US)

(**) Term: **14 Years**

(21) Appl. No.: **29/486,150**

(22) Filed: **Mar. 26, 2014**

(51) **LOC (10) Cl.** **21-01**

(52) **U.S. Cl.**
USPC **D21/397**

(58) **Field of Classification Search**
USPC D21/307–308, 334–368, 376–397;
273/236–287, 288–291
See application file for complete search history.

(56) **References Cited**

U.S. PATENT DOCUMENTS

D285,942	S	*	9/1986	Kemmeter	D21/307
D321,910	S	*	11/1991	Brady	D19/97
D325,135	S	*	4/1992	Barfield	D21/357
5,158,301	A	*	10/1992	Martukovich, Jr.	273/247
5,332,215	A	*	7/1994	Gonzales	273/317.5
D373,148	S	*	8/1996	Crow et al.	D21/357
5,570,888	A	*	11/1996	Robinson et al.	273/317.5

D420,400	S	*	2/2000	Dunagin, III	D21/357
6,322,073	B1	*	11/2001	Davis	273/247
D488,335	S	*	4/2004	Kerr	D6/511

* cited by examiner

Primary Examiner — George D Kirschbaum
(74) *Attorney, Agent, or Firm* — Sanchelima & Associates, P.A.; Chris Sanchelima, Esq.; Jesus Sanchelima, Esq.

(57) **CLAIM**

The ornamental design for tabletop game, as shown and described.

DESCRIPTION

FIG. 1 is a front elevational view of a tabletop game showing my new design in an open position;
FIG. 2 is a front plan view of the design shown in a folded position;
FIG. 3 is a side elevational view of the design in an open position;
FIG. 4 is a side elevational view in a folded position;
FIG. 5 is a top view in an open position;
FIG. 6 is a top view in a folded position;
FIG. 7 is a bottom elevational view in an open position;
FIG. 8 is a bottom view in a folded position;
FIG. 9 is an top isometric view in an open position; and,
FIG. 10 is a bottom isometric view in a folded position.
The broken line showing of table legs is included for the purpose of illustrating portions of the “article” and forms no part of the claimed design.

1 Claim, 3 Drawing Sheets

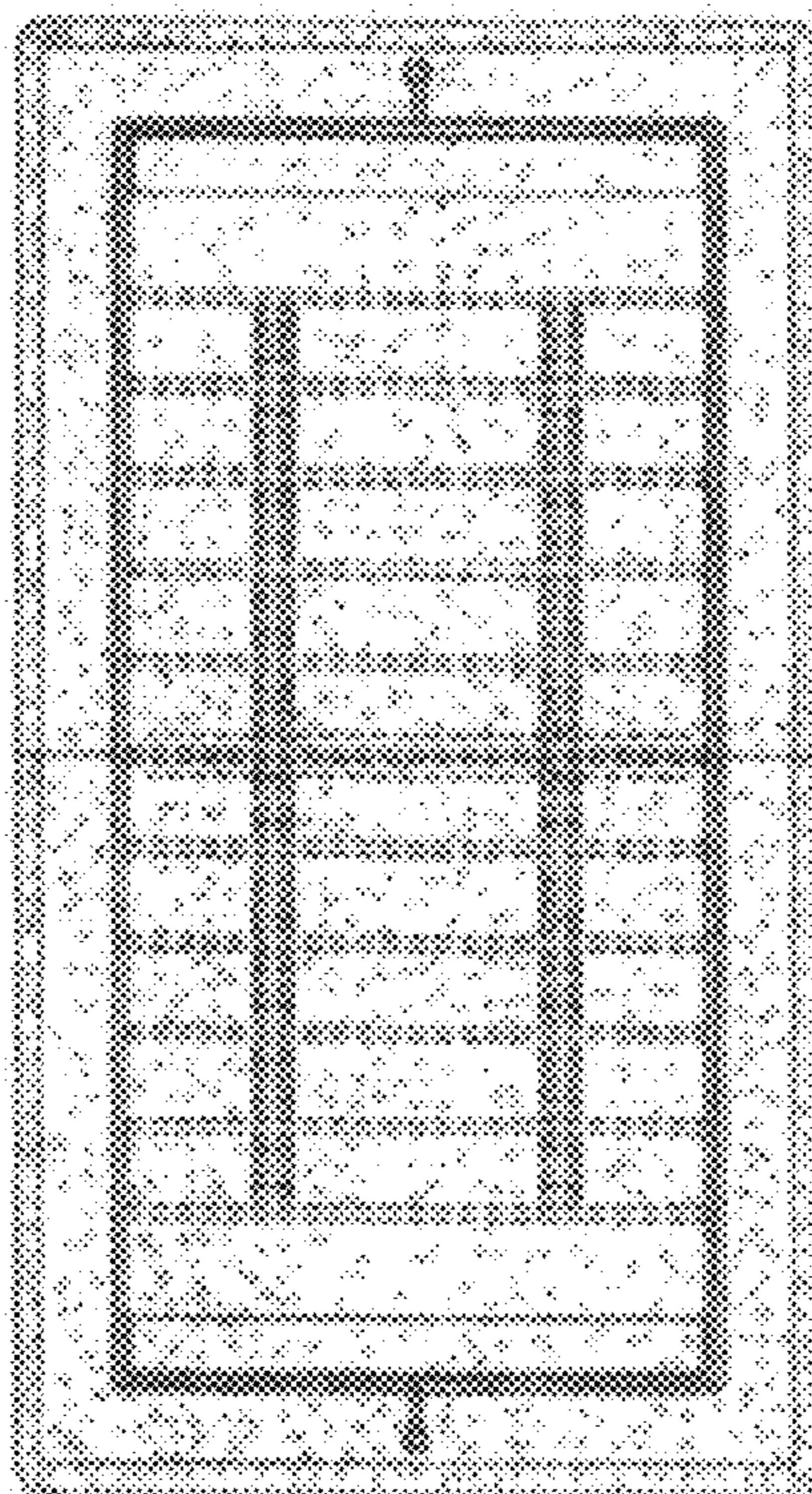


FIG. 3

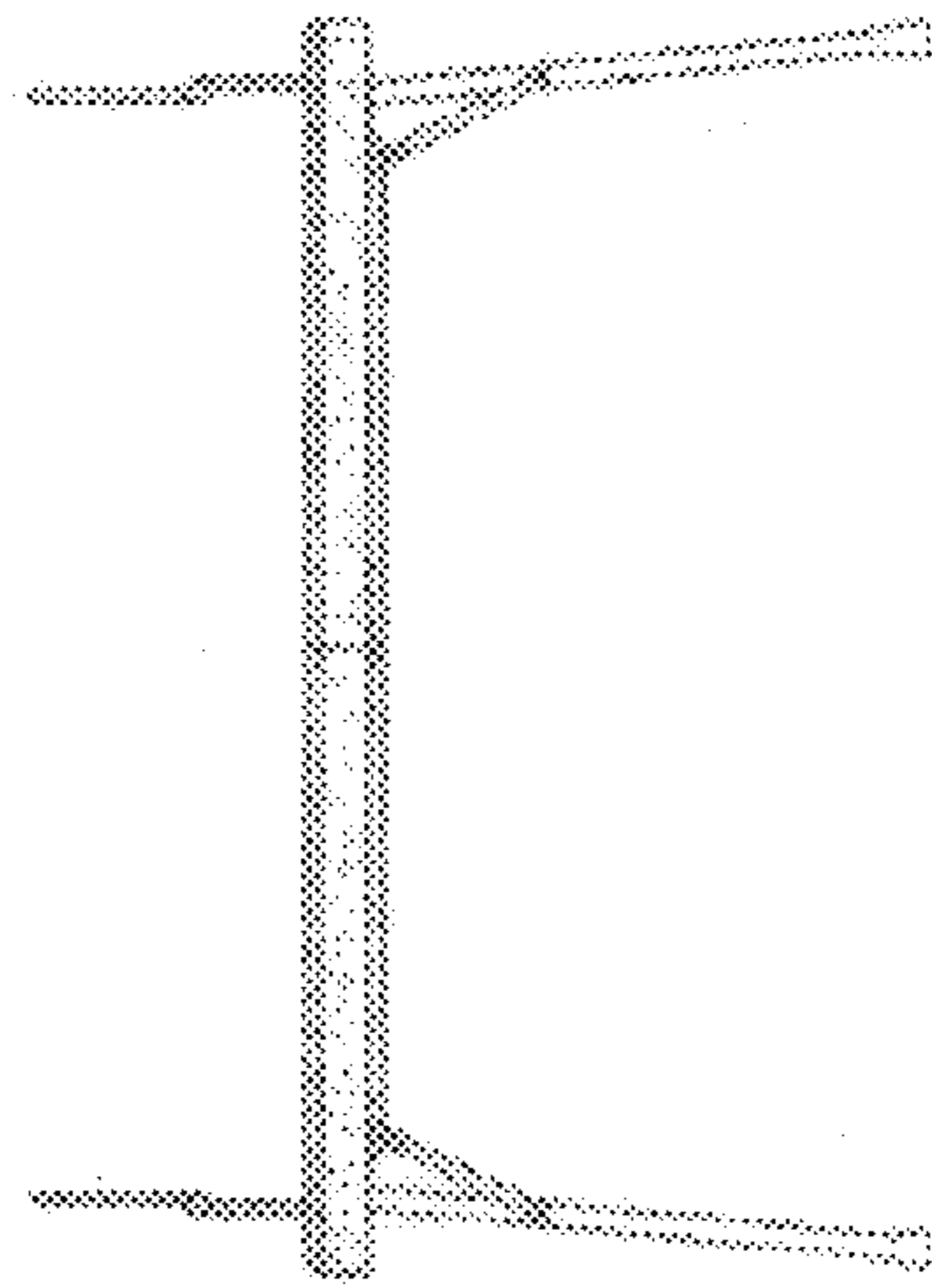


FIG. 4

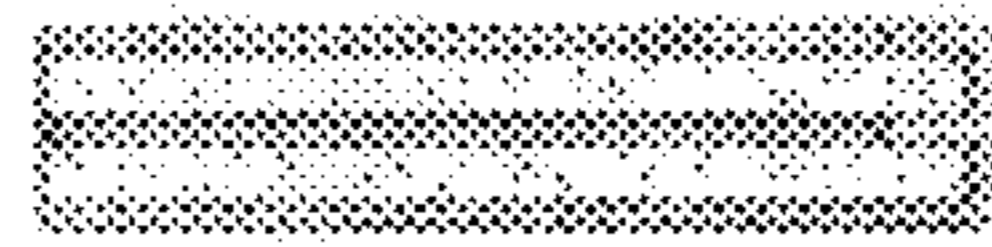


FIG. 1

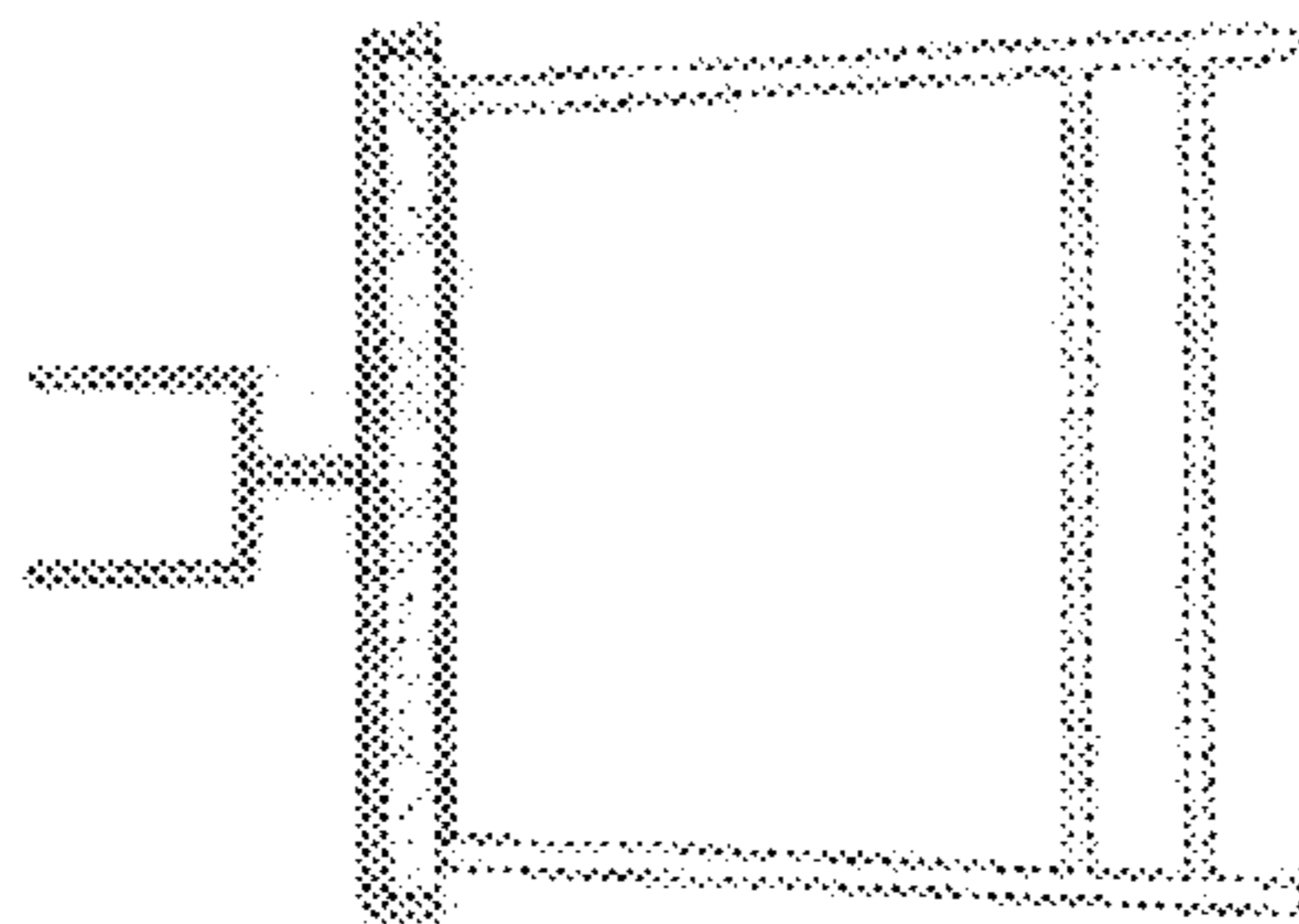


FIG. 2

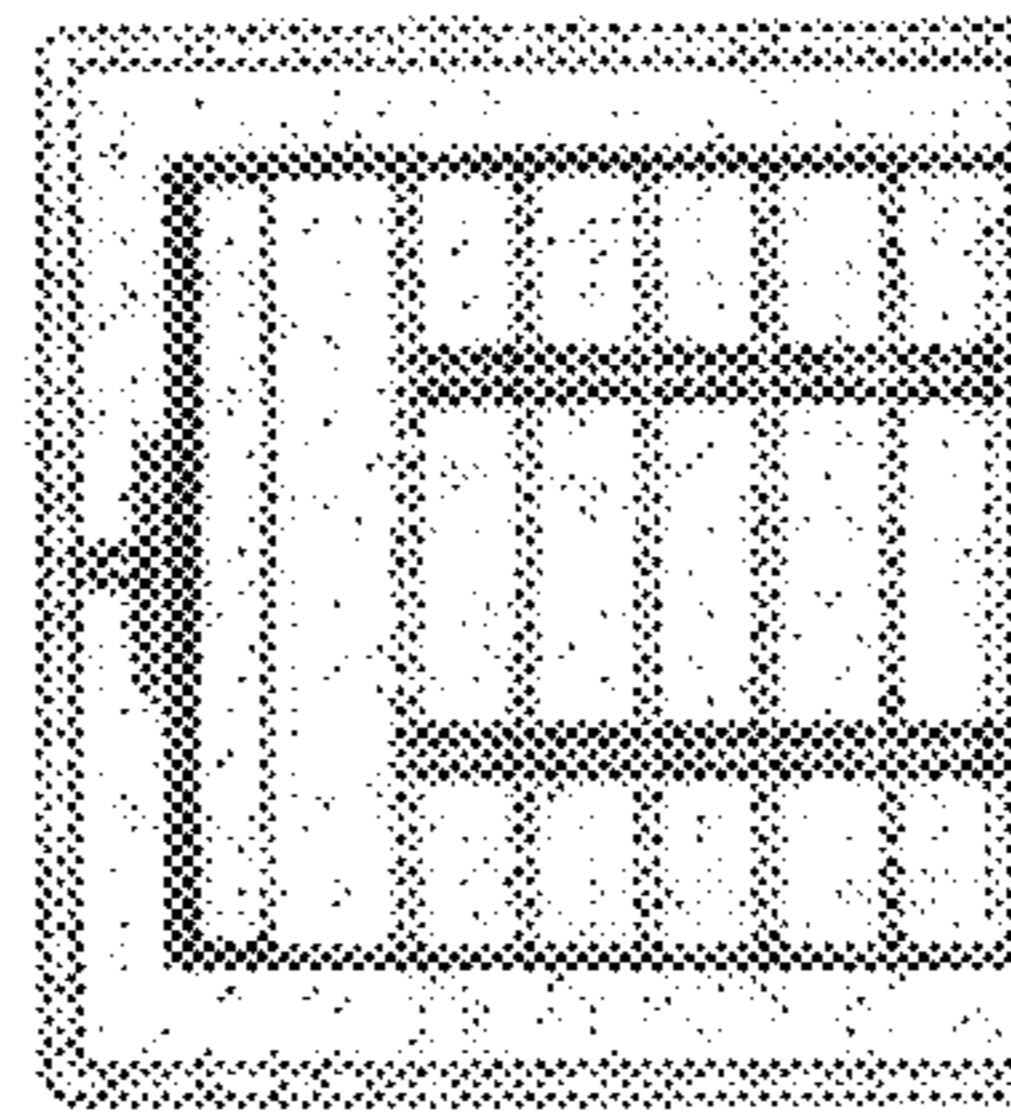


FIG. 7

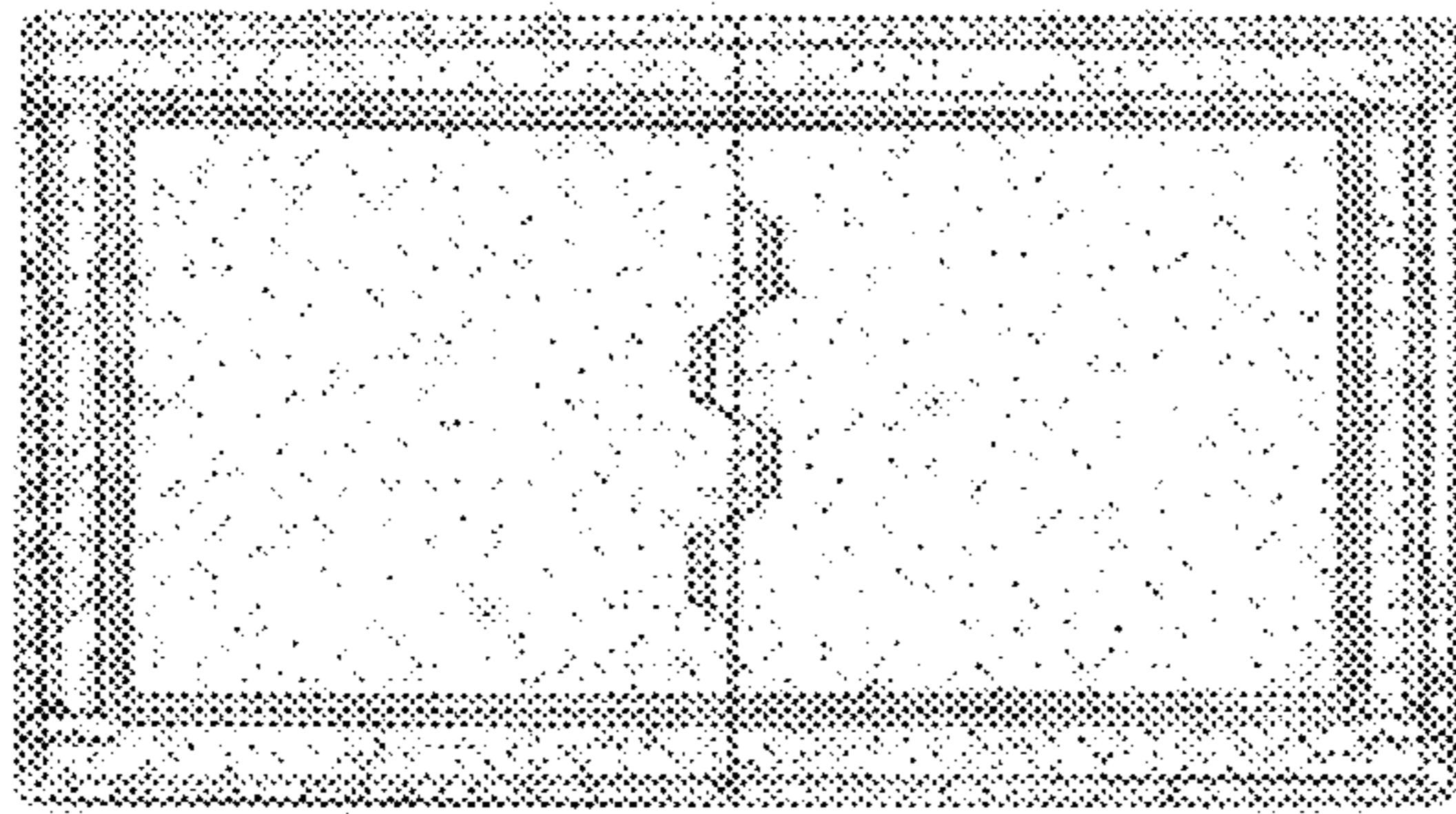


FIG. 8



FIG. 5

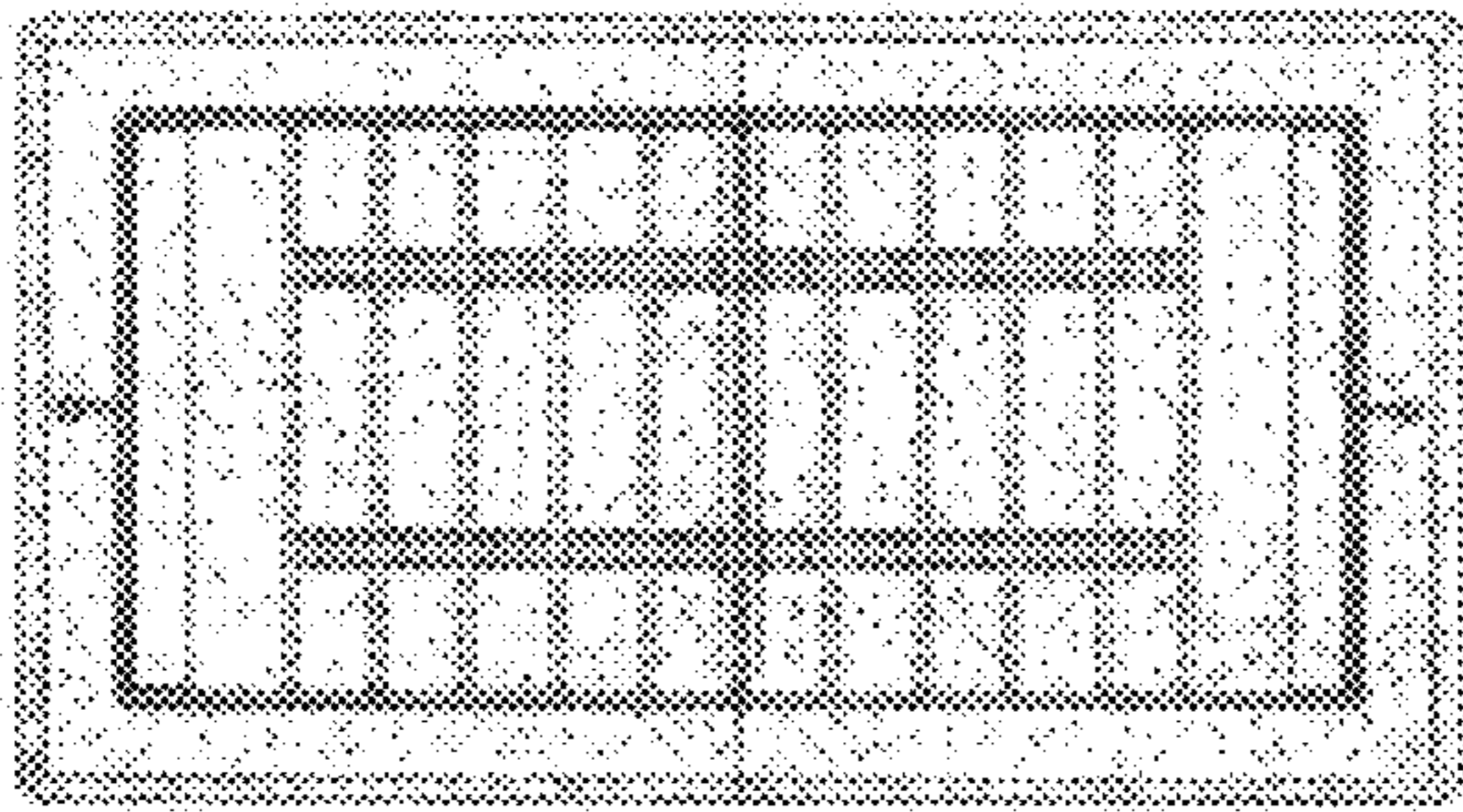


FIG. 6



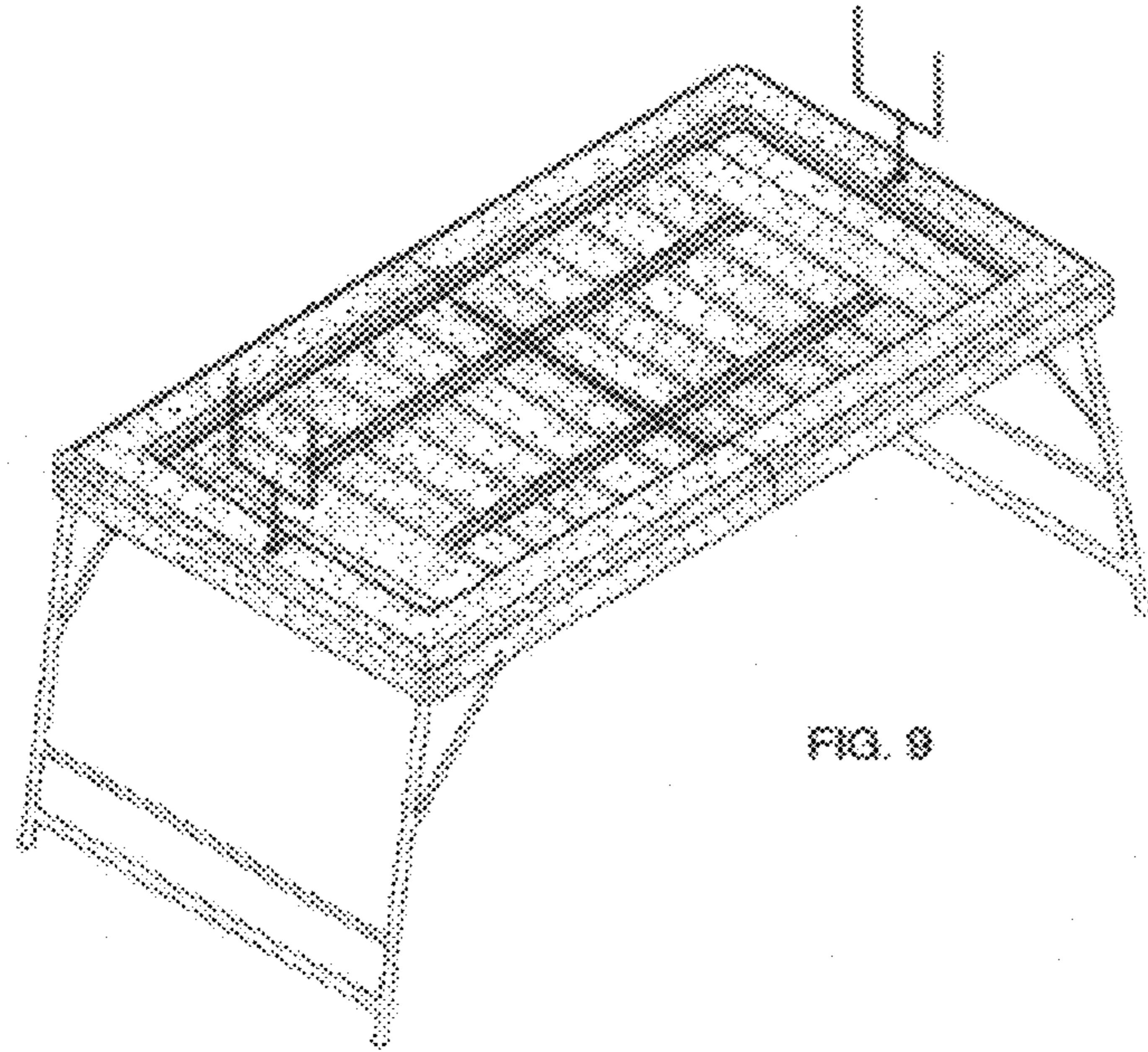


FIG. 9

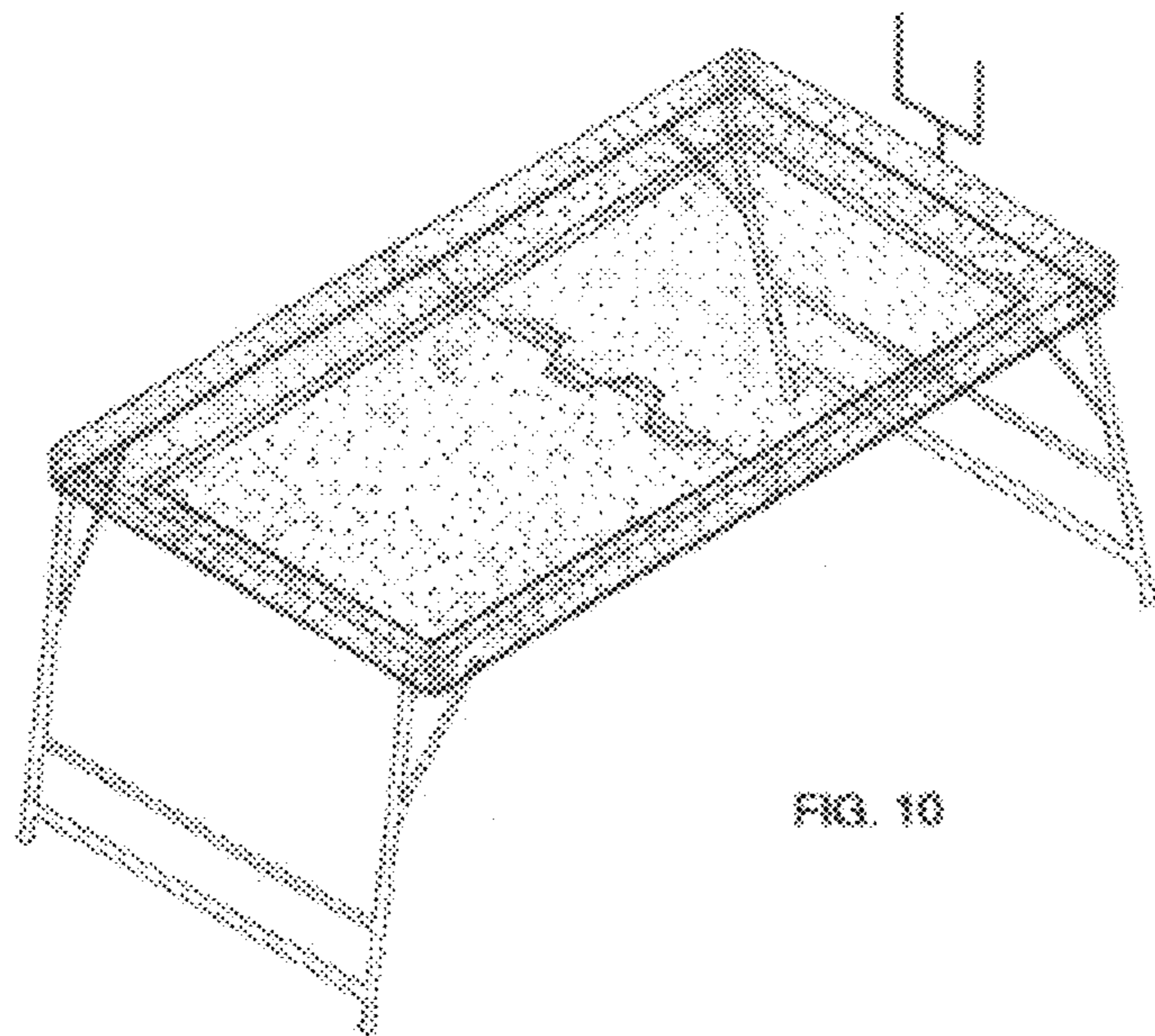


FIG. 10