



US00D713889S

(12) **United States Design Patent**
Berg

(10) **Patent No.:** **US D713,889 S**

(45) **Date of Patent:** **** Sep. 23, 2014**

(54) **GAME TOWER**

(71) Applicant: **Dennis George Berg**, West Babylon, NY
(US)

(72) Inventor: **Dennis George Berg**, West Babylon, NY
(US)

(**) Term: **14 Years**

(21) Appl. No.: **29/464,459**

(22) Filed: **Aug. 16, 2013**

(51) **LOC (10) Cl.** **21-01**

(52) **U.S. Cl.**
USPC **D21/337**

(58) **Field of Classification Search**
USPC D21/307-308, 334-368, 376-397;
273/236-287, 288-291

See application file for complete search history.

(56) **References Cited**

U.S. PATENT DOCUMENTS

4,260,155 A * 4/1981 Jordan 273/120 R

D270,650 S * 9/1983 Erato D21/337
5,494,292 A * 2/1996 Mileti 273/241
7,819,404 B2 * 10/2010 Creech et al. 273/241
2006/0091604 A1 * 5/2006 Sargent 273/241

* cited by examiner

Primary Examiner — George D Kirschbaum

(74) *Attorney, Agent, or Firm* — Keusey & Associates, P.C.

(57) **CLAIM**

The ornamental design for a game tower, as shown and described.

DESCRIPTION

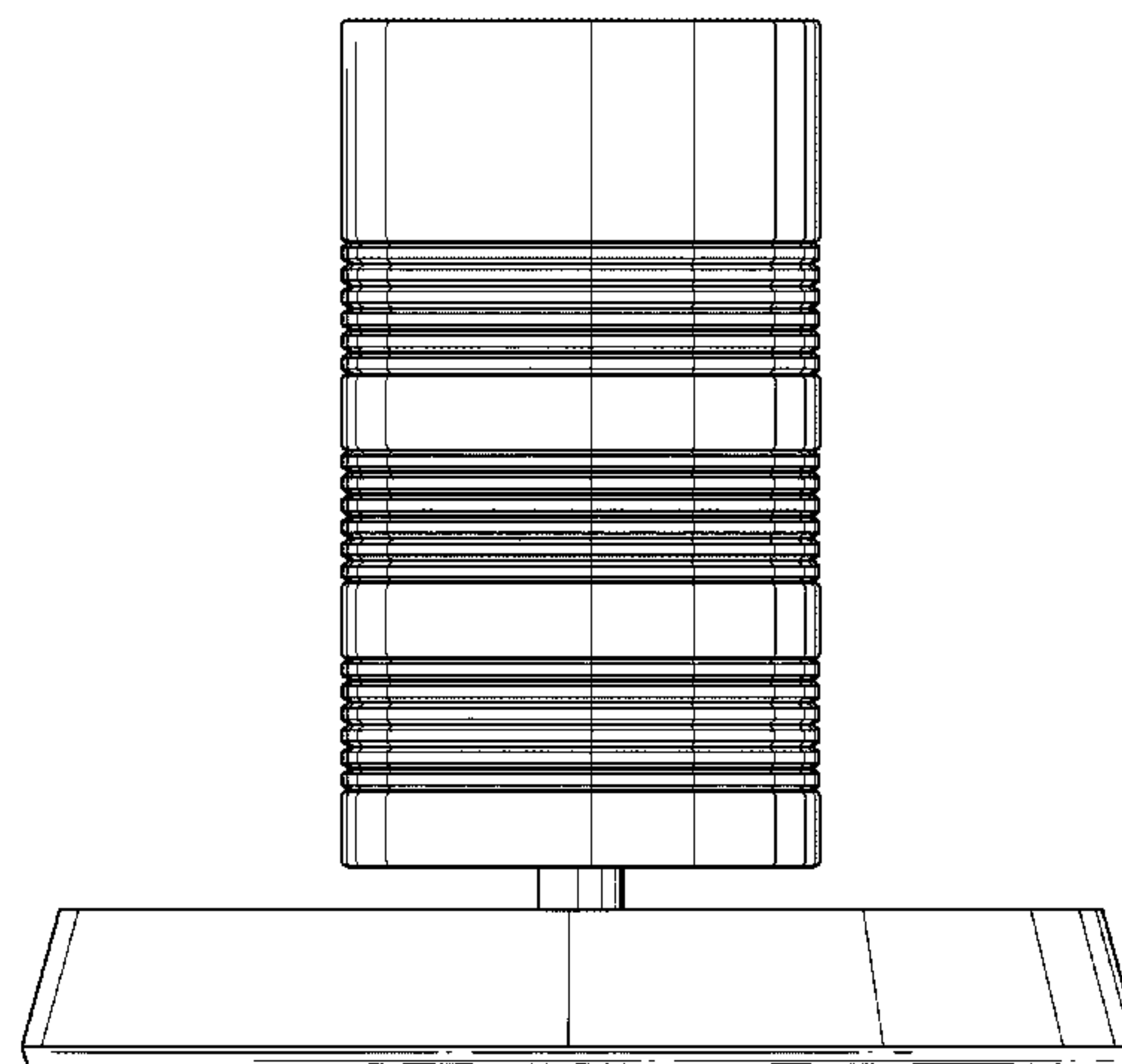
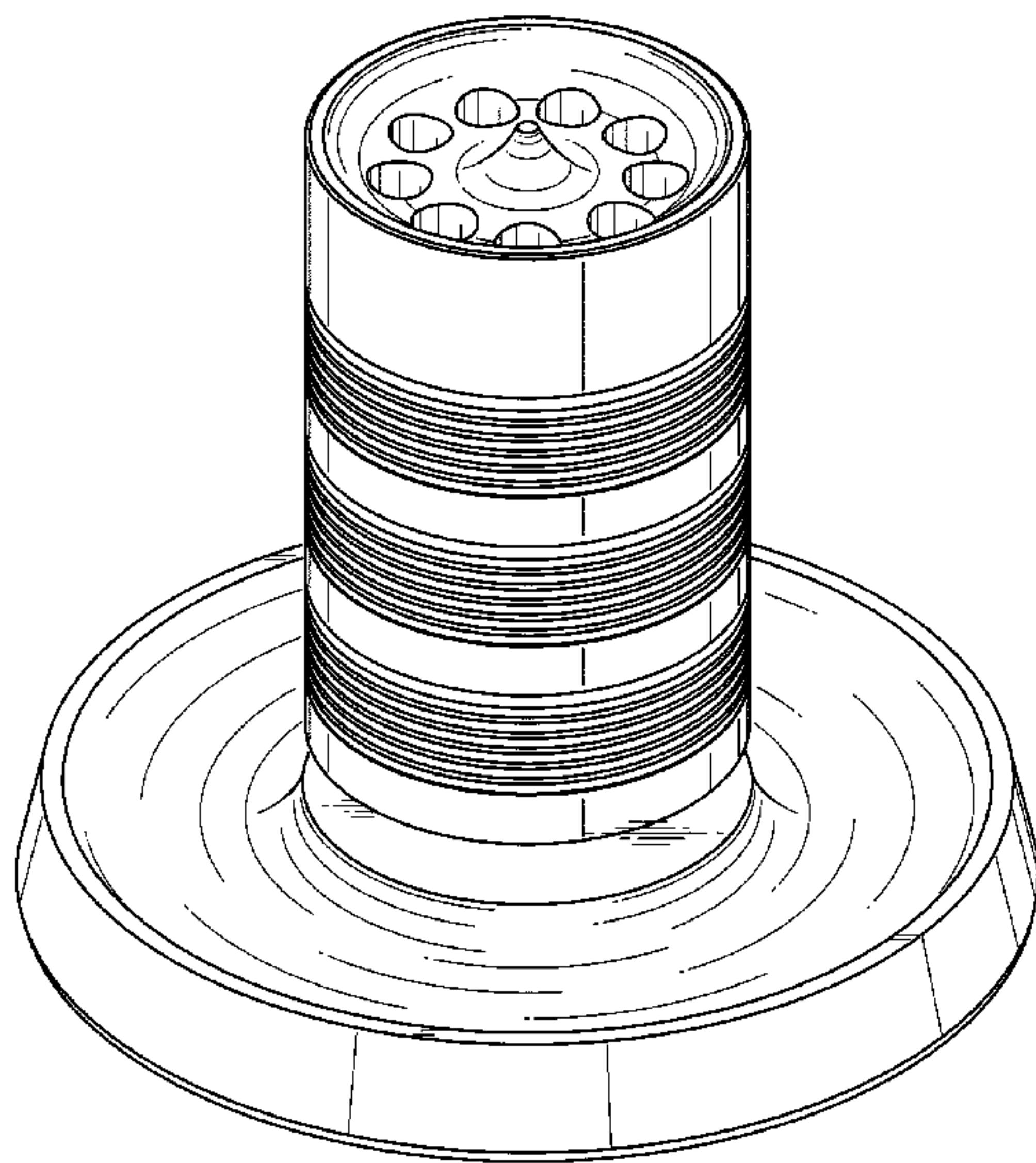
FIG. 1 is a top, front, right side perspective view of my new design of a game tower.

FIG. 2 is a front side elevational thereof; the back side elevational view, the right side elevational view and the left side elevational view being identical.

FIG. 3 is top plan view thereof; and,

FIG. 4 is a bottom plan view thereof.

1 Claim, 4 Drawing Sheets



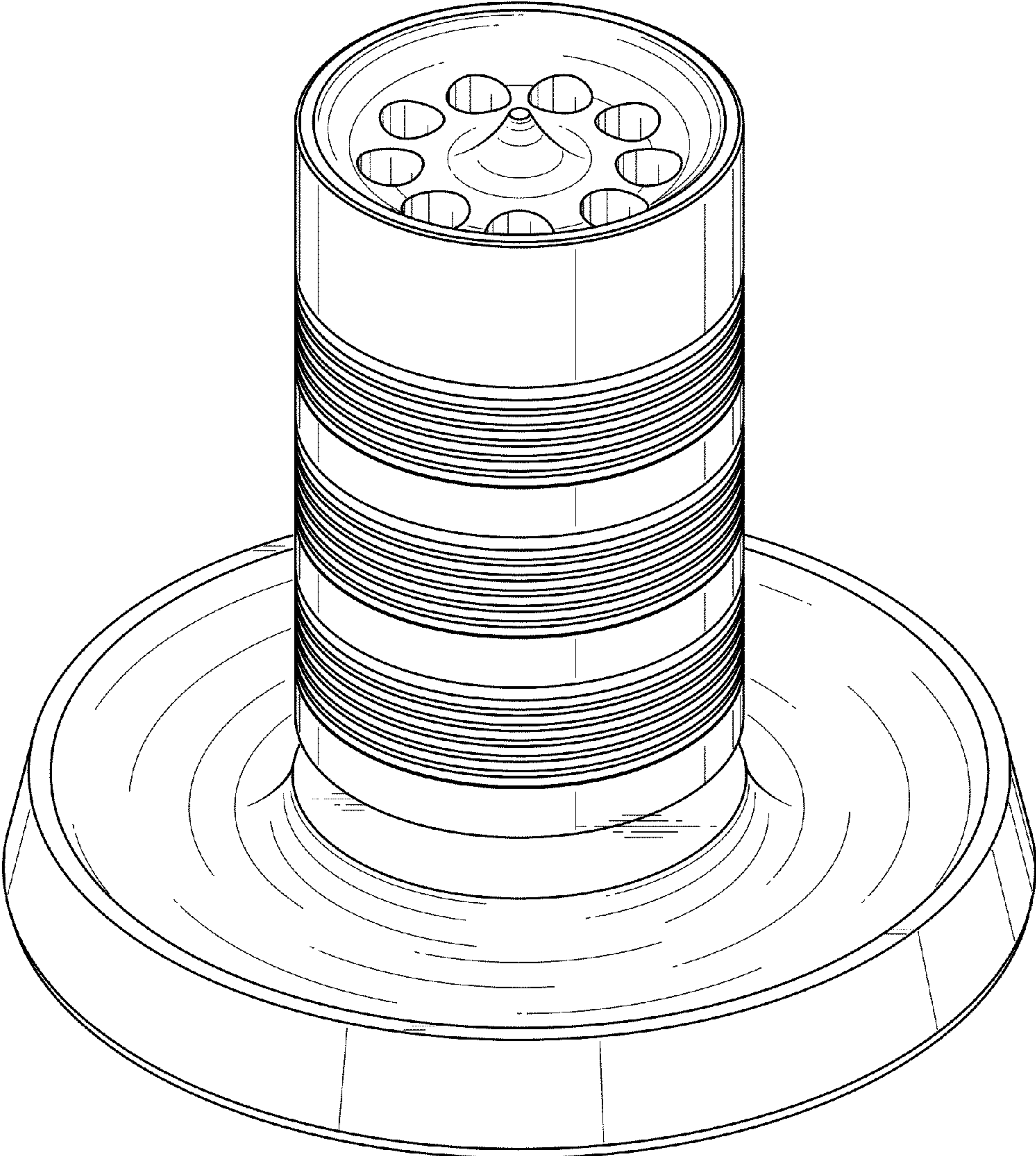


FIG. 1

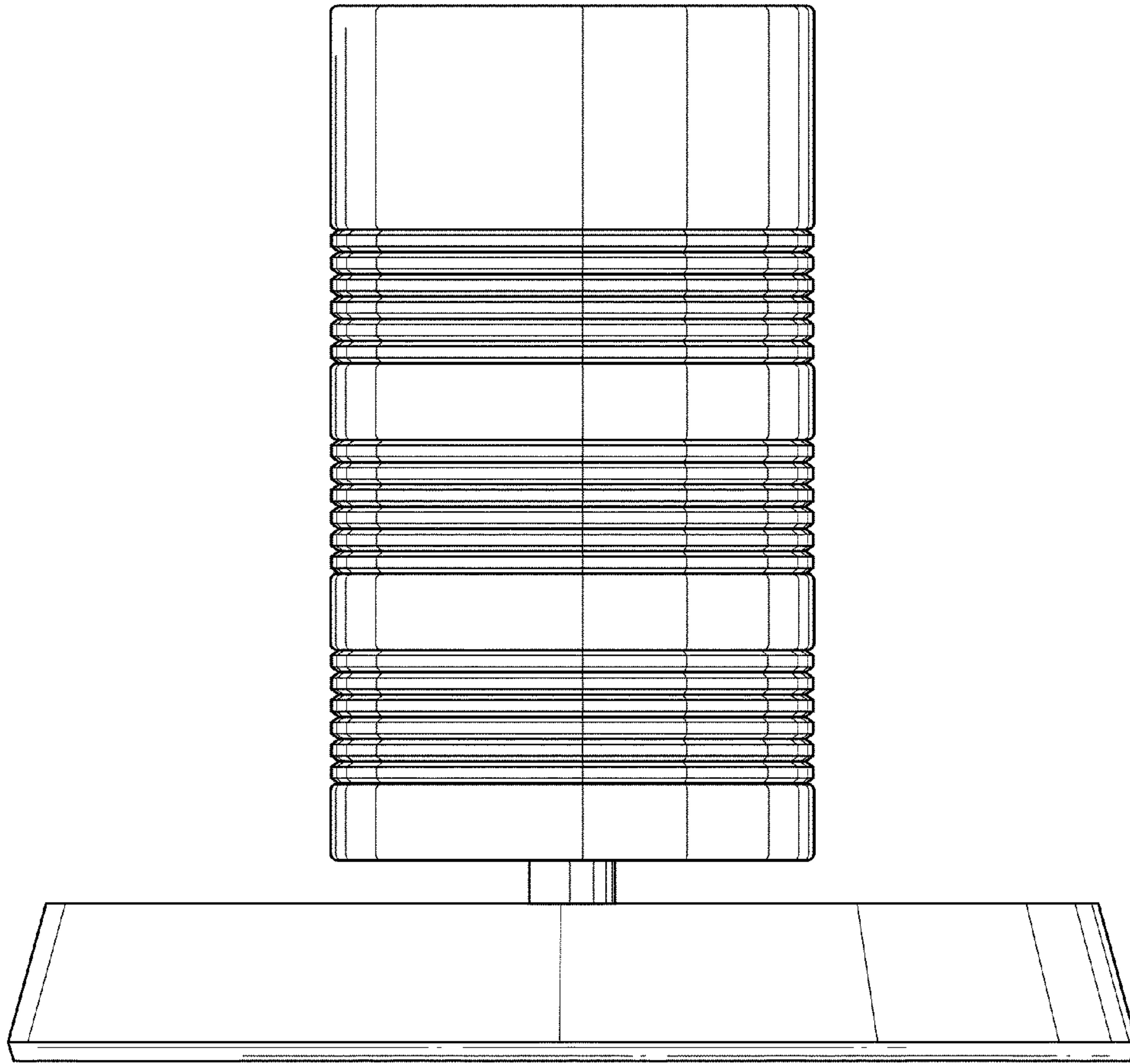


FIG. 2

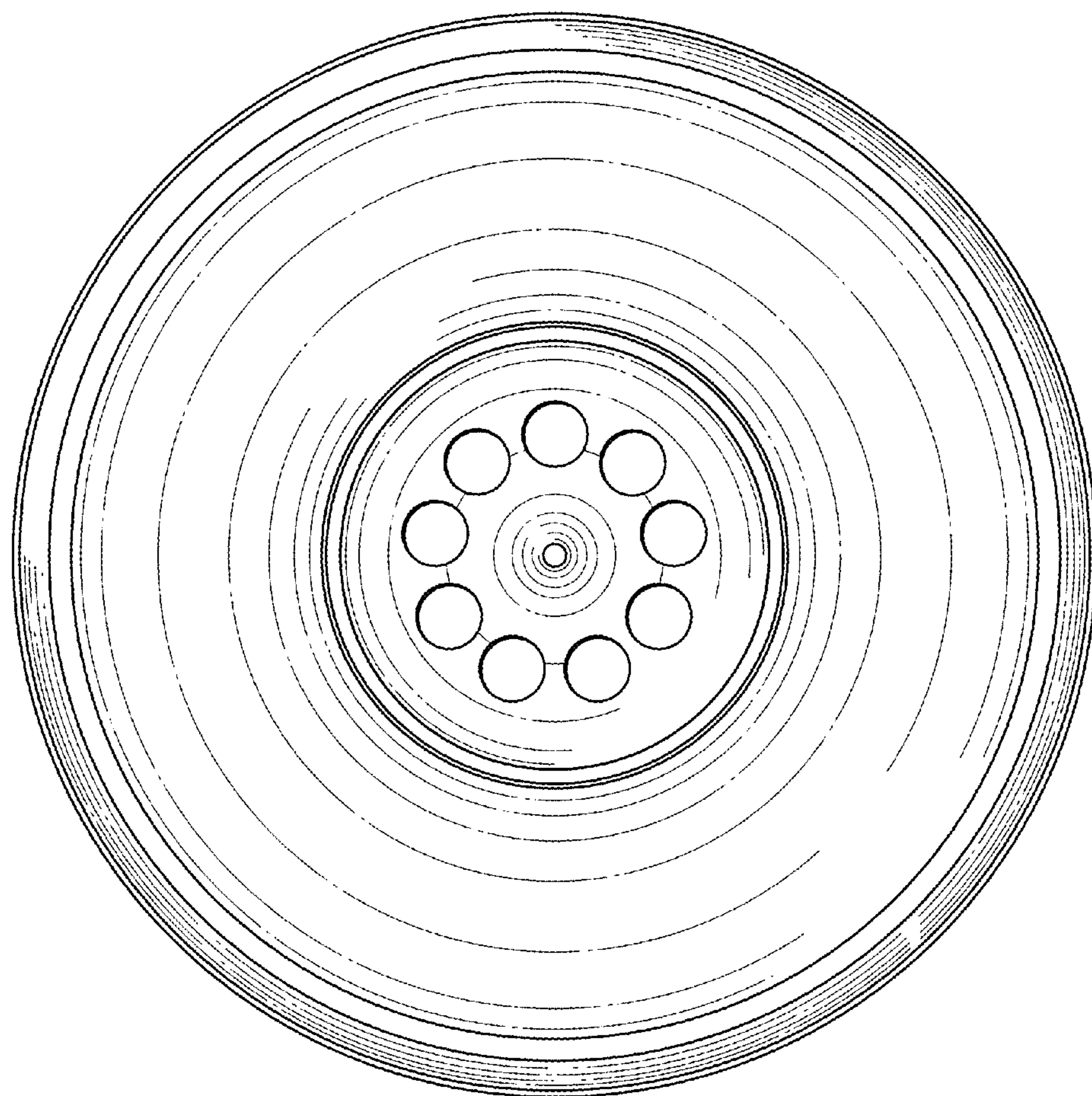


FIG. 3

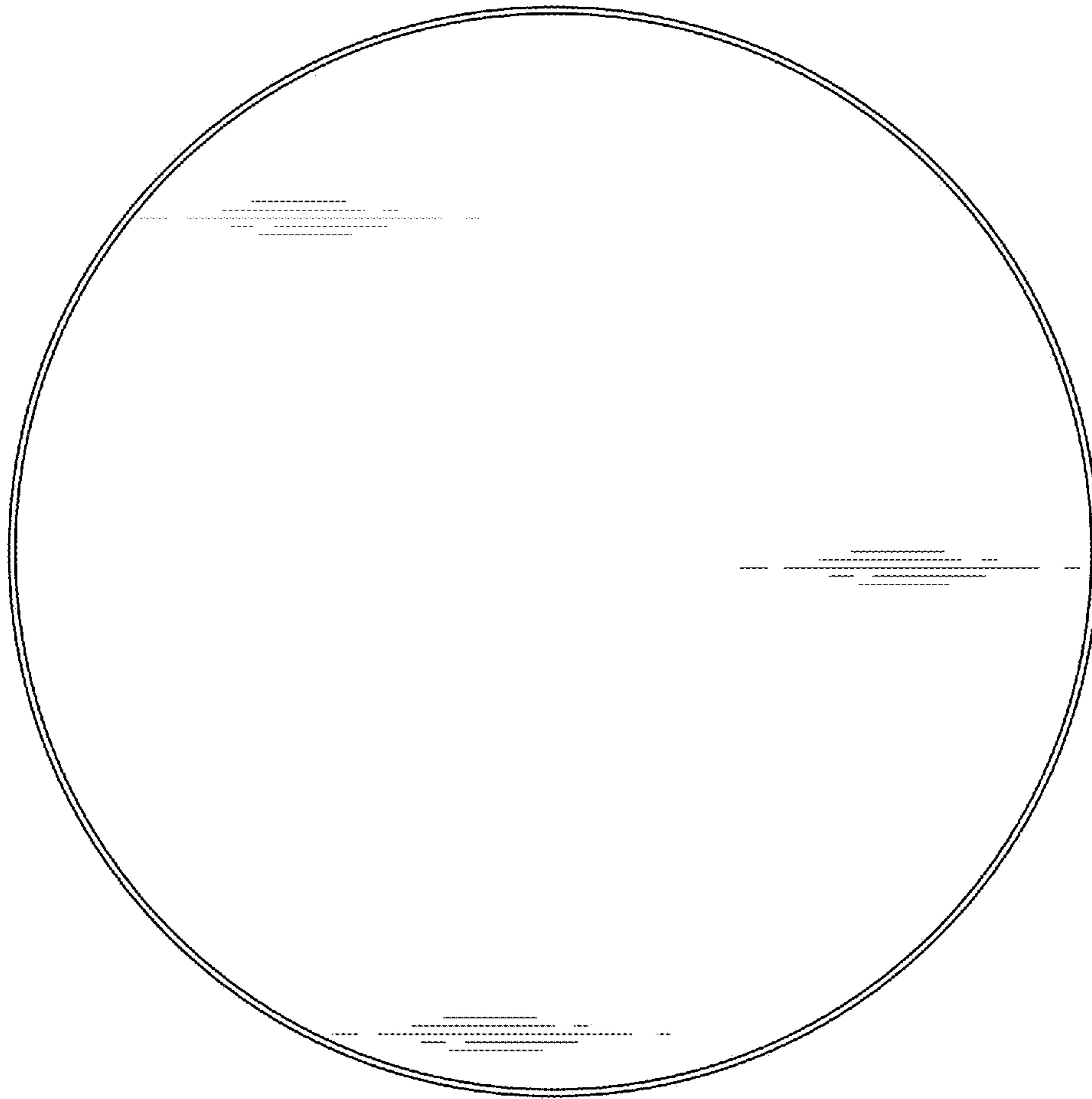


FIG. 4