



US00D713888S

(12) **United States Design Patent**  
**Steele et al.**

(10) **Patent No.:** **US D713,888 S**

(45) **Date of Patent:** **\*\* Sep. 23, 2014**

(54) **BEAN BAG TOSS DARTBOARD**

(71) Applicants: **Colleen Steele**, Renton, WA (US);  
**Harry Helbig**, Renton, WA (US)

(72) Inventors: **Colleen Steele**, Renton, WA (US);  
**Harry Helbig**, Renton, WA (US)

(\*\*) Term: **14 Years**

(21) Appl. No.: **29/456,878**

(22) Filed: **Jun. 5, 2013**

(51) **LOC (10) Cl.** ..... **21-01**

(52) **U.S. Cl.**  
USPC ..... **D21/308**

(58) **Field of Classification Search**  
USPC ..... D21/307-308, 334-368, 376-397;  
273/236-287, 288-291

See application file for complete search history.

(56) **References Cited**

**U.S. PATENT DOCUMENTS**

2,092,162 A	9/1937	Hiatt	
5,622,369 A	4/1997	Rogers	
5,850,885 A	12/1998	Clark	
D612,892 S *	3/2010	Miele	..... D21/308

2010/0320692 A1	12/2010	Tookey	
2011/0074106 A1	3/2011	Allshouse	
2014/0091525 A1*	4/2014	Ramirez	..... 273/402

\* cited by examiner

*Primary Examiner* — George D Kirschbaum  
(74) *Attorney, Agent, or Firm* — Buckingham Doolittle & Burroughs LLC

(57) **CLAIM**

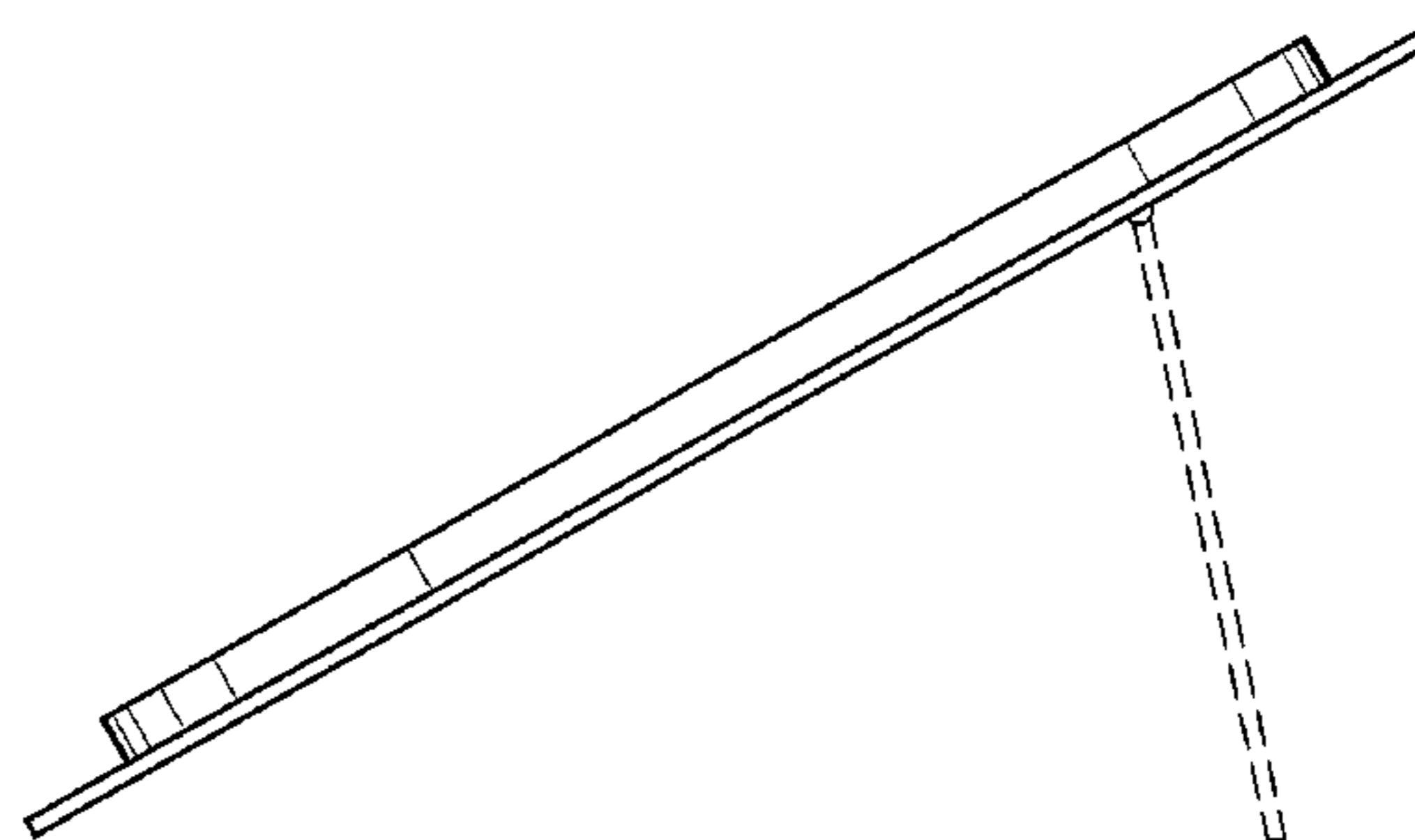
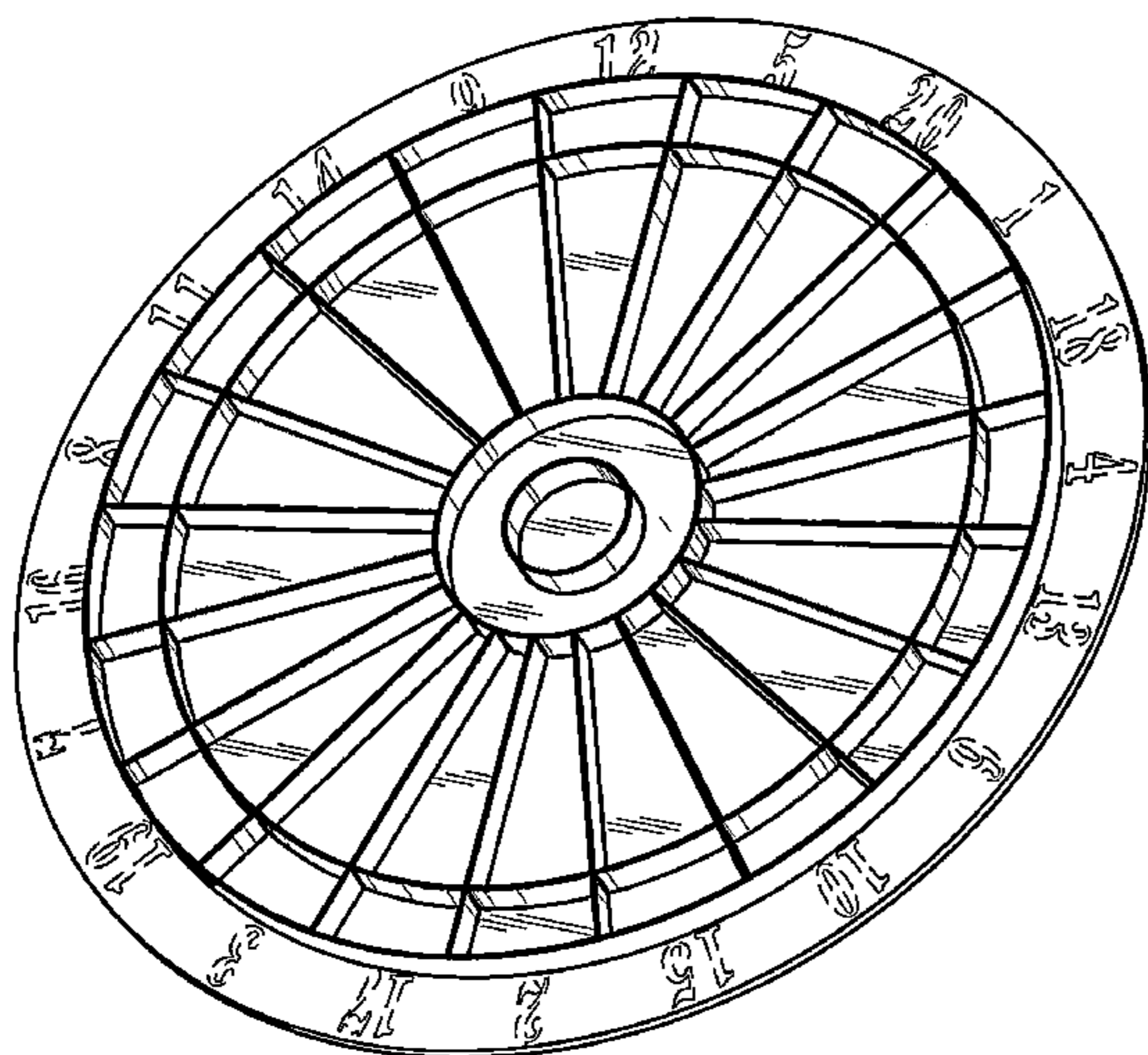
We claim the ornamental design for a bean bag toss dartboard, as shown and described.

**DESCRIPTION**

FIG. 1 is a perspective view of the bean bag toss dartboard of the present invention, which is positioned at an incline; FIG. 2 is a top view of the bean bag toss dartboard of FIG. 1; FIG. 3 is a front elevational view of the bean bag toss dartboard of FIG. 1; FIG. 4 is a side elevational view of the bean bag toss dartboard of FIG. 1; and, FIG. 5 is a rear elevational view of the bean bag toss dartboard of FIG. 1.

The broken line showing of indicia and a stand is included for the purpose of illustrating portions of the “article” and forms no part of the claimed design.

**1 Claim, 3 Drawing Sheets**



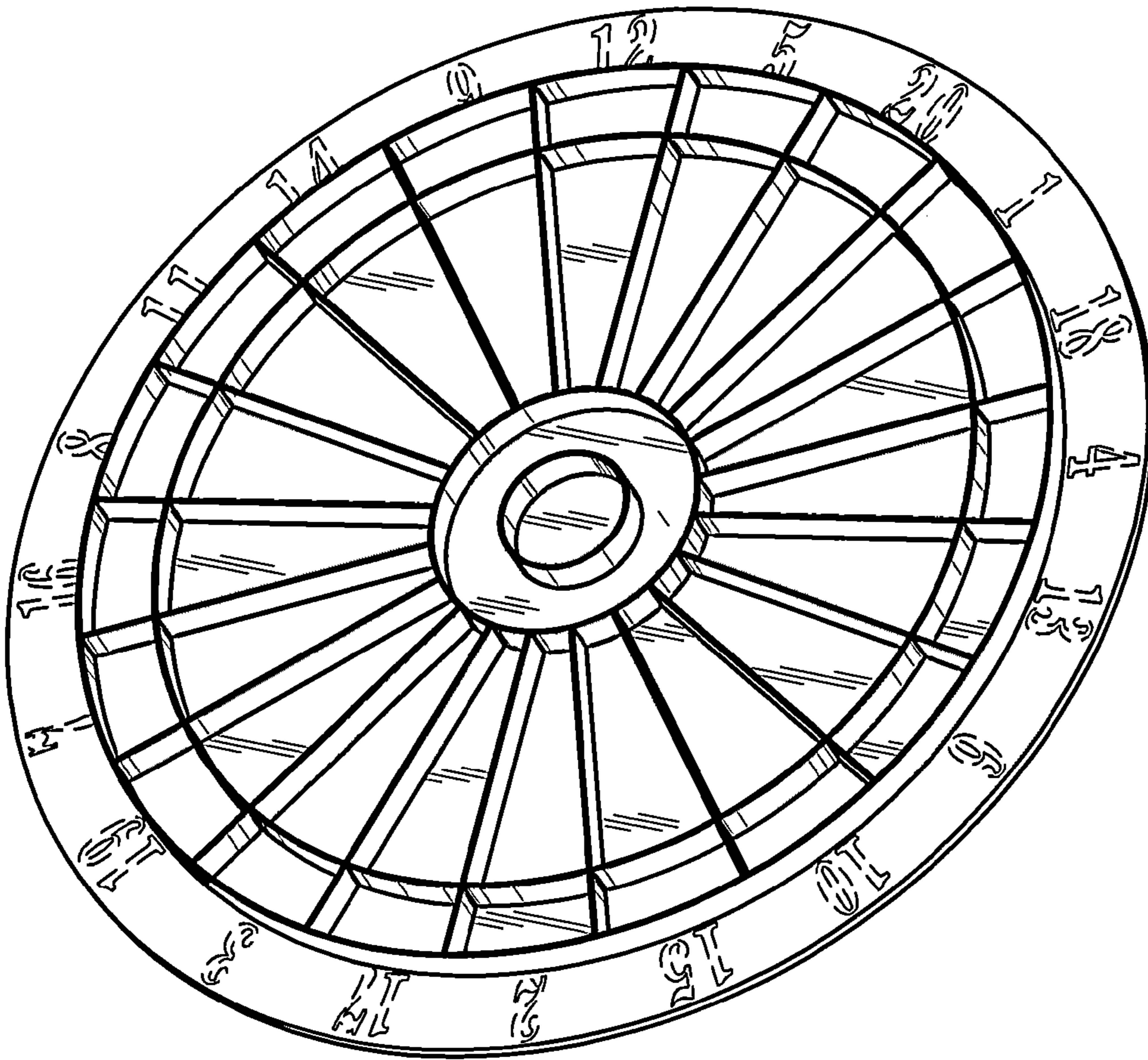


FIG. 1

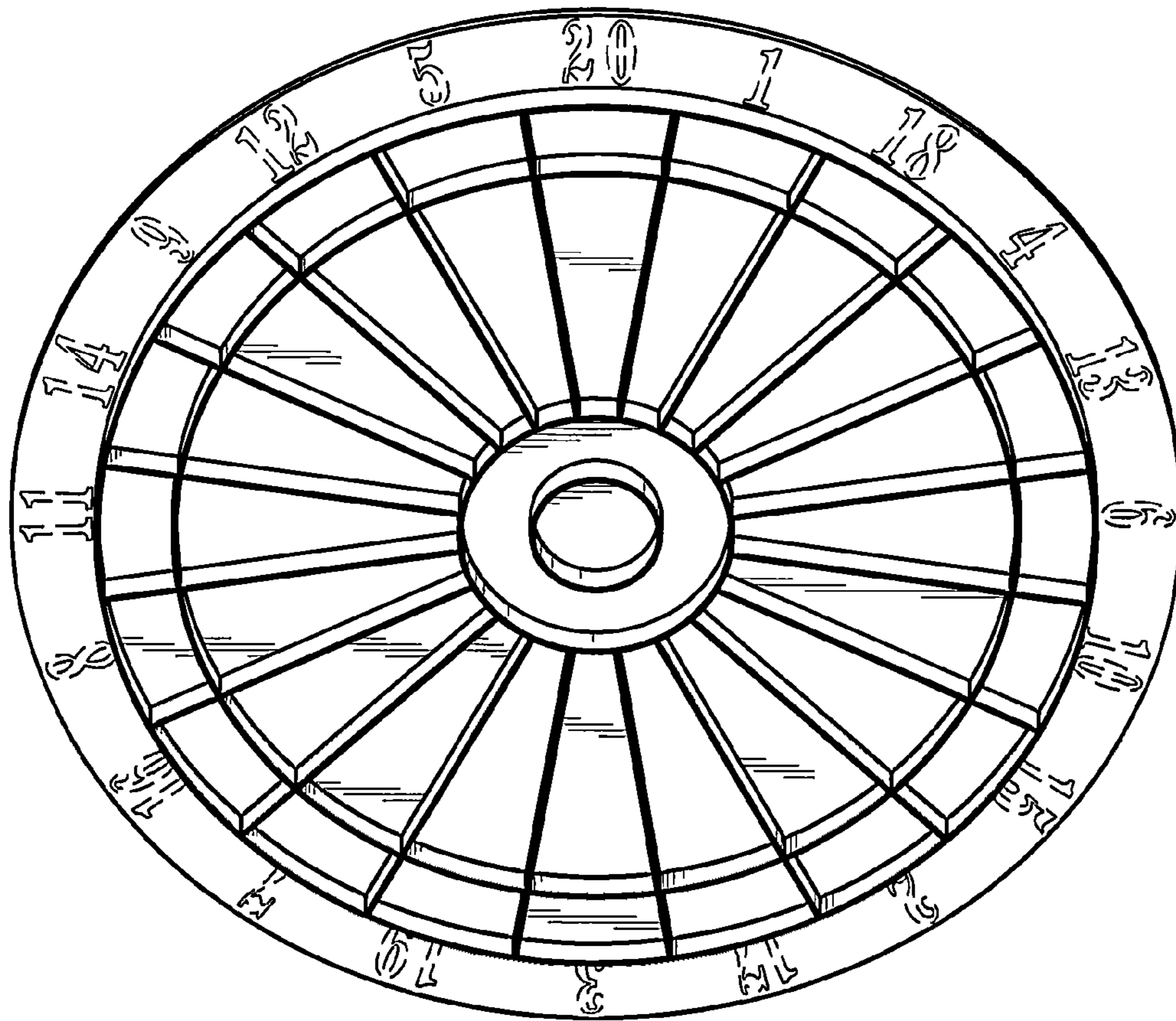


FIG. 2

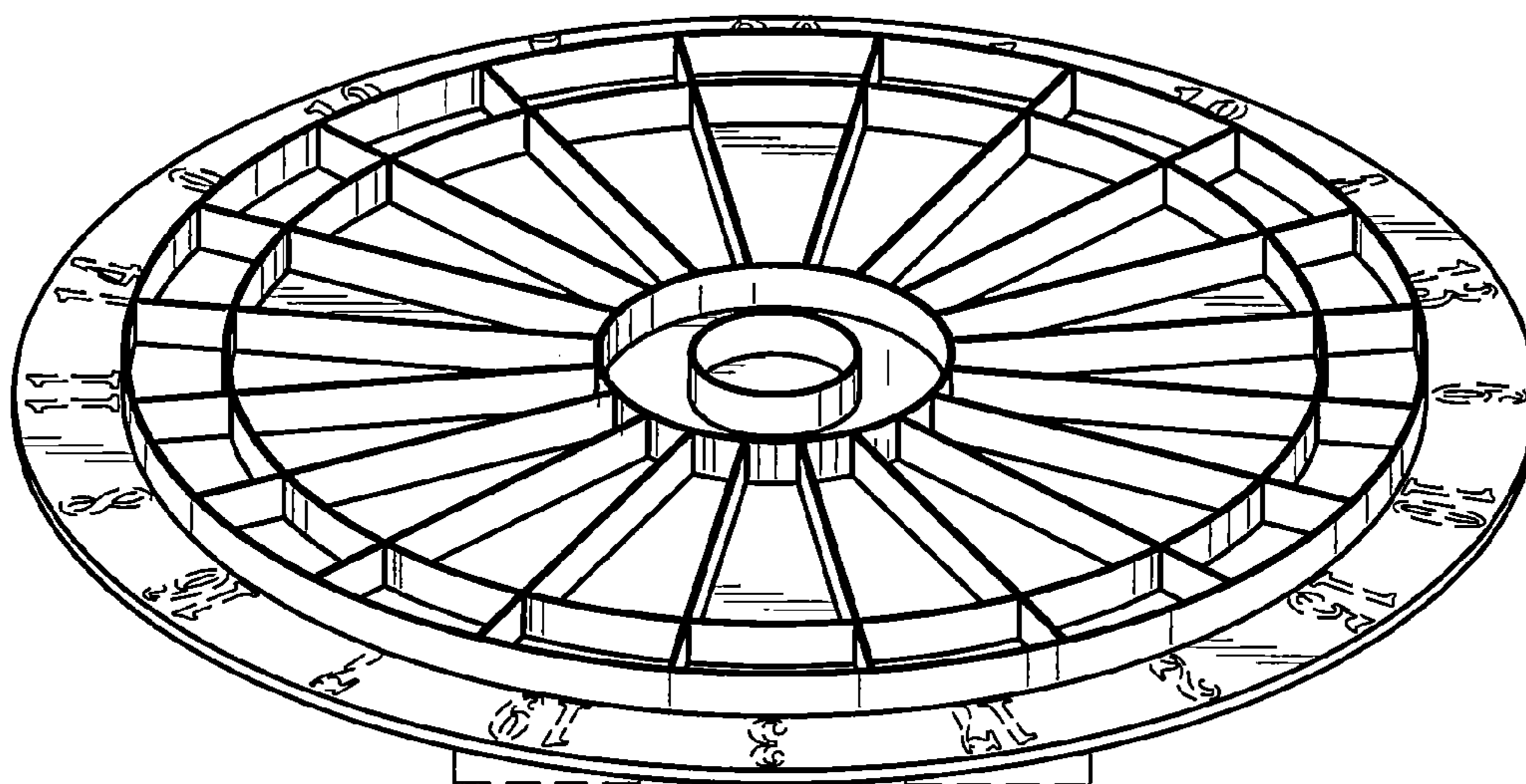


FIG. 3

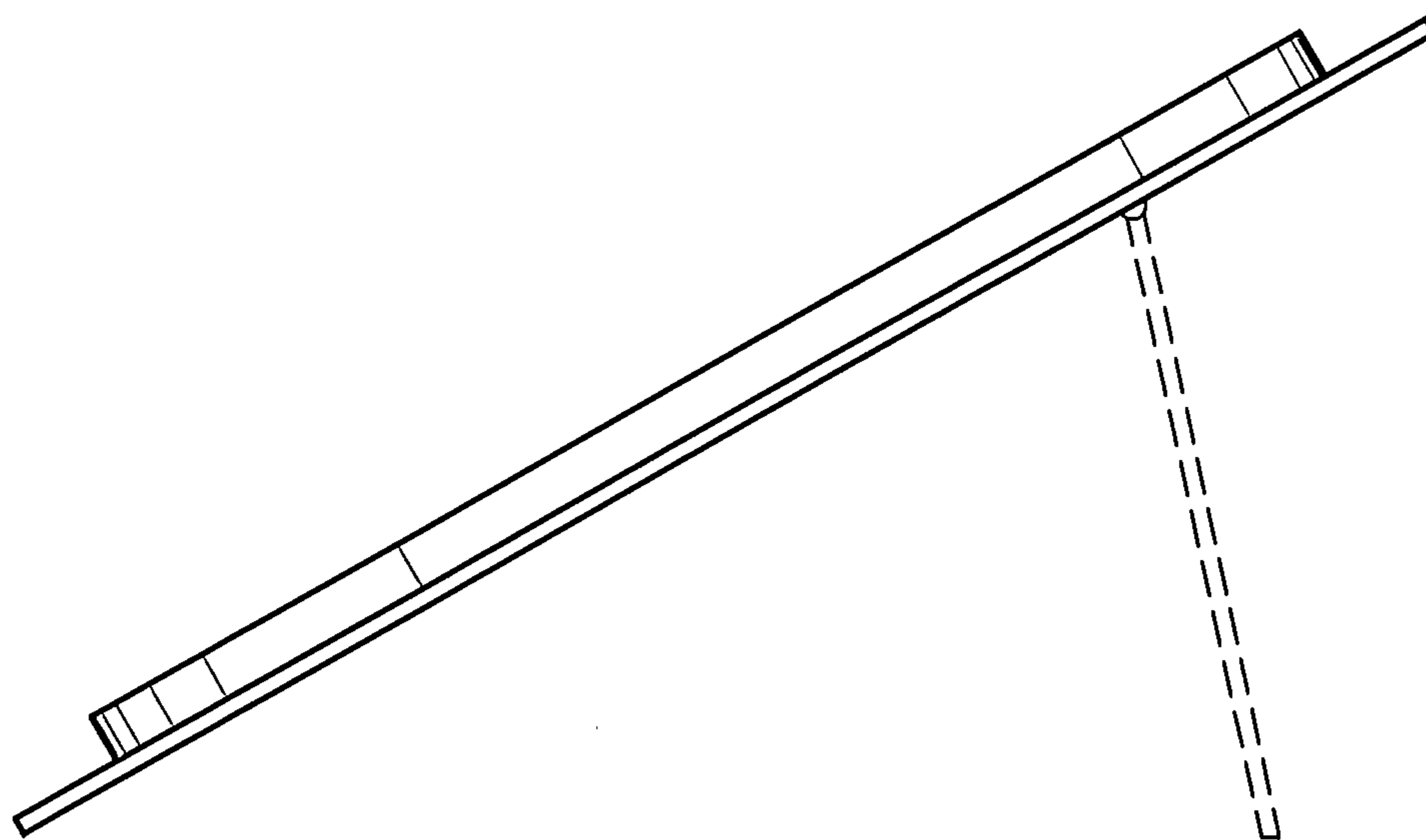


FIG. 4

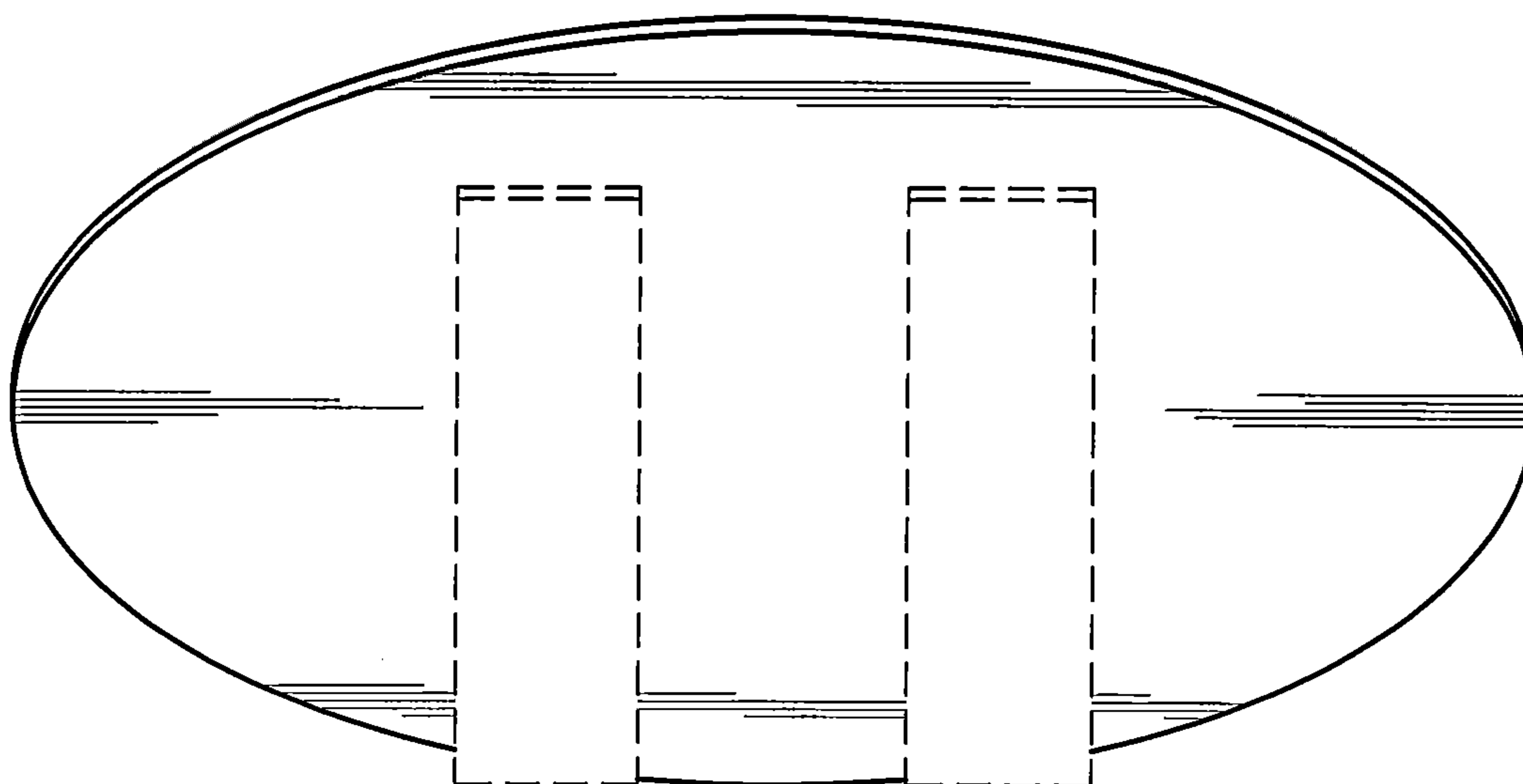


FIG. 5