



US00D713878S

(12) **United States Design Patent**  
**Fleming**

(10) **Patent No.:** **US D713,878 S**

(45) **Date of Patent:** **\*\* Sep. 23, 2014**

(54) **PEN**

(71) Applicant: **Hub Pen Company, Inc.**, Braintree, MA (US)

(72) Inventor: **Joseph Fleming**, Hanover, MA (US)

(73) Assignee: **Hub Pen Company**, Braintree, MA (US)

(\*\*) Term: **14 Years**

(21) Appl. No.: **29/450,025**

(22) Filed: **Mar. 15, 2013**

(51) **LOC (10) Cl.** ..... **19-06**

(52) **U.S. Cl.**  
USPC ..... **D19/166; D19/904**

(58) **Field of Classification Search**  
USPC ..... D14/411; D19/115-186, 192, 194-197;  
24/11 R, 11 F, 11 P; 401/99, 192, 195,  
401/196

See application file for complete search history.

(56) **References Cited**

**PUBLICATIONS**

Hub Pen Company's Enjoy Writing Catalog, 2011 Collection, (Junior Pen & Set) p. 20, (Translucent Stick) p. 57, (Foil Stick) p. 96, (Crazy Stick) p. 97.

*Primary Examiner* — Elizabeth Albert

(74) *Attorney, Agent, or Firm* — Dingman, McInnes & McLane, LLP

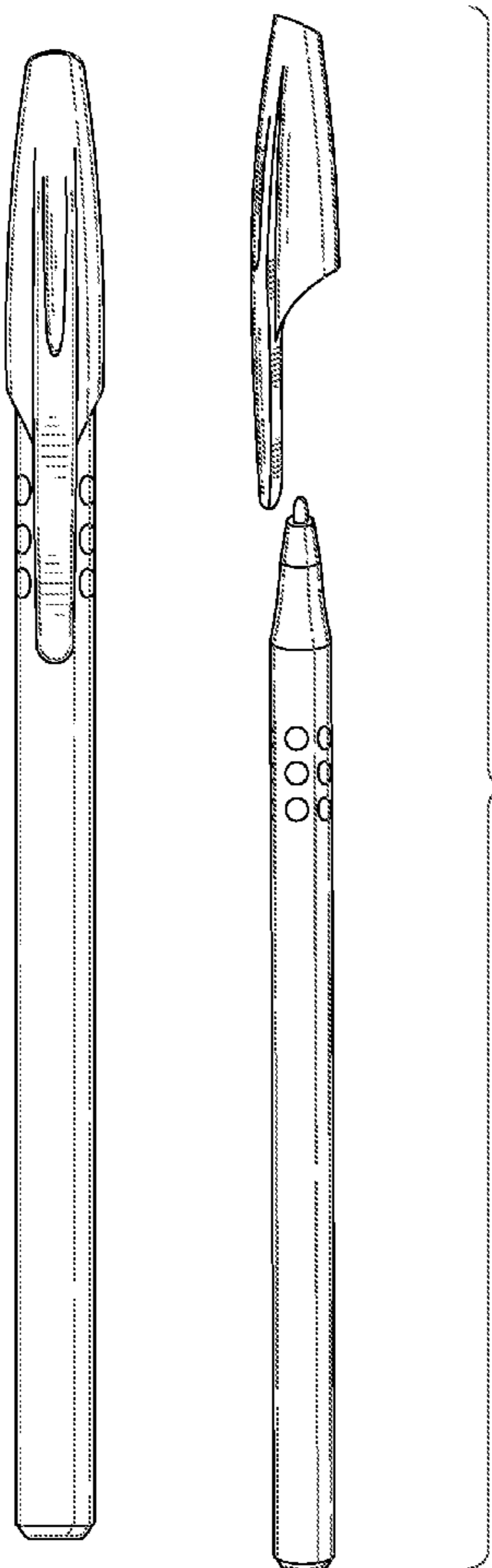
(57) **CLAIM**

The ornamental design for a pen, as shown and described.

**DESCRIPTION**

FIG. 1 is a perspective view of a pen showing my new design; FIG. 2 is a right side elevational view of the pen of FIG. 1; FIG. 3 is a left side elevational view of the pen of FIG. 1; FIG. 4 is a front elevational view of the pen of FIG. 1; FIG. 5 is a rear elevational view of the pen of FIG. 1; FIG. 6 is a top plan view of the pen of FIG. 1; FIG. 7 is a bottom plan view of the pen of FIG. 1; and, FIG. 8 is a right side elevational of the pen of FIG. 1, with pen cap removed.

**1 Claim, 5 Drawing Sheets**



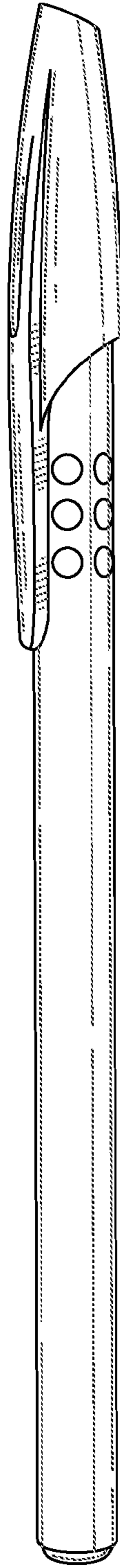


FIG. 1

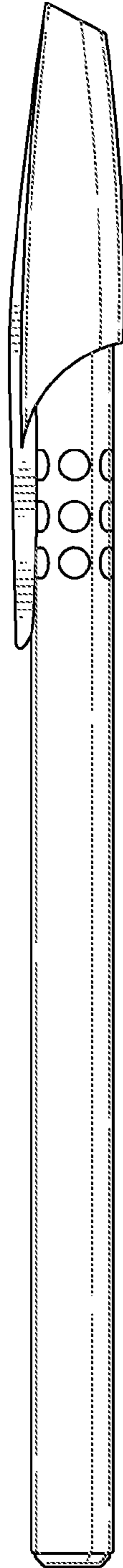


FIG. 2

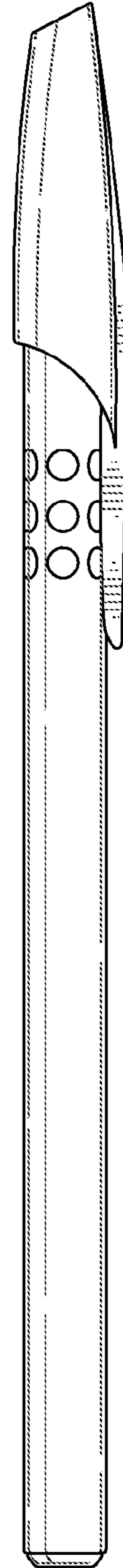


FIG. 3

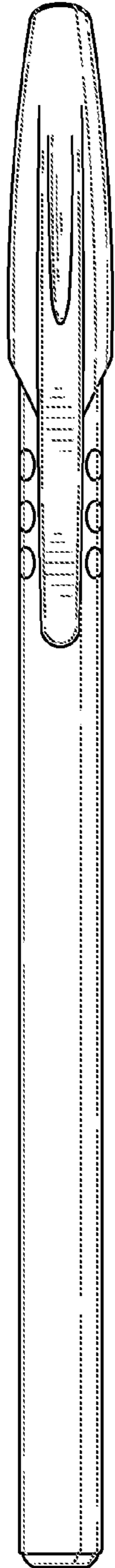


FIG. 4

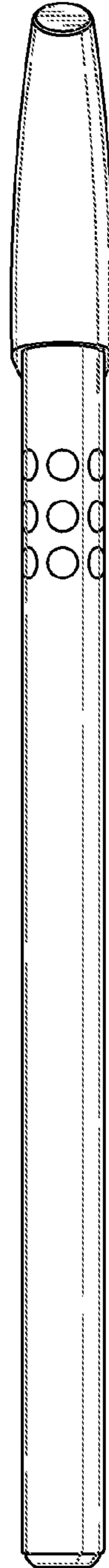


FIG. 5

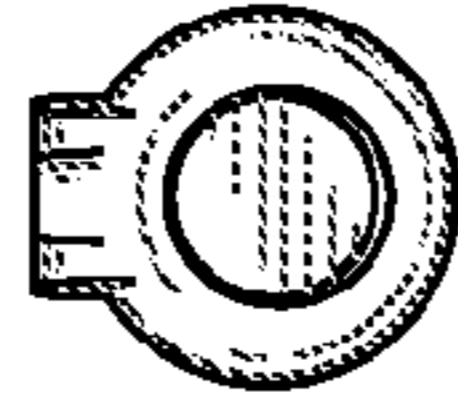


FIG. 6

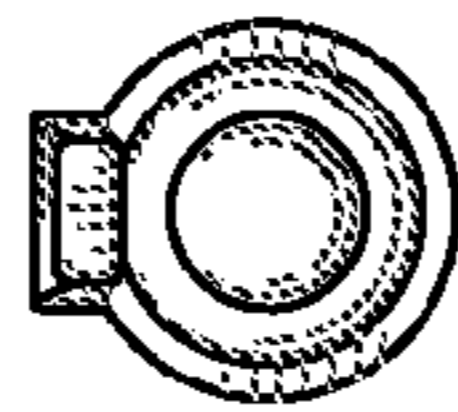


FIG. 7

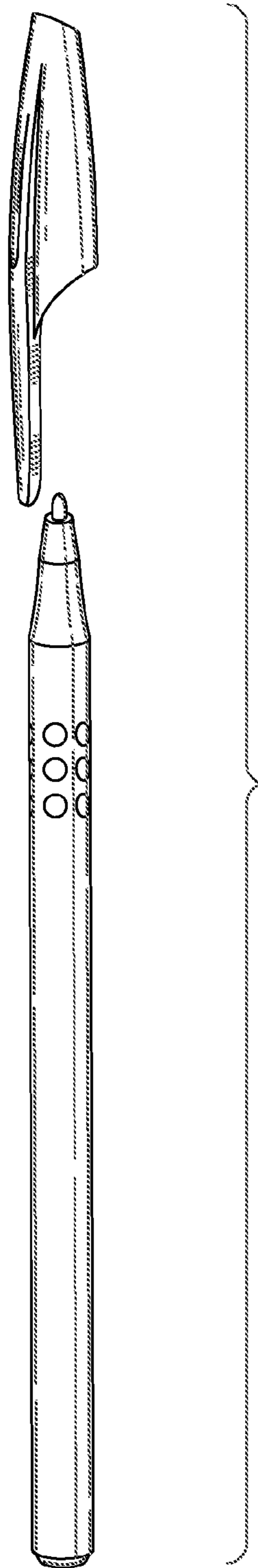


FIG. 8